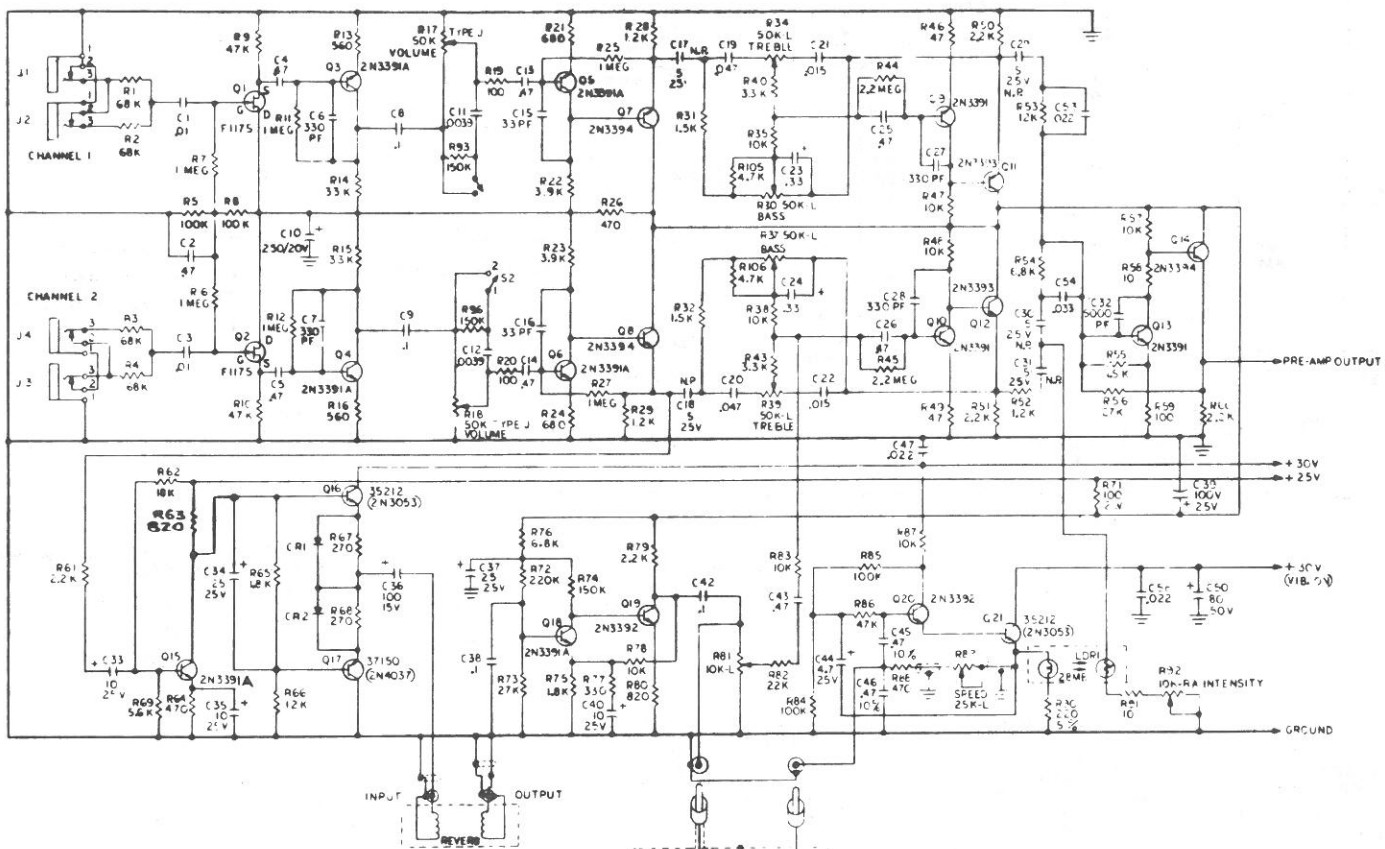
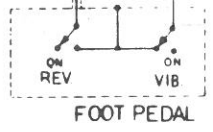


REVISIONS		REVISED BY	DATE	APPROVED
470	ADD			
ADDED CONNECTING A LINK FROM COLLECTOR Q15 TO BASE Q16		C2	3/8 5/4	70



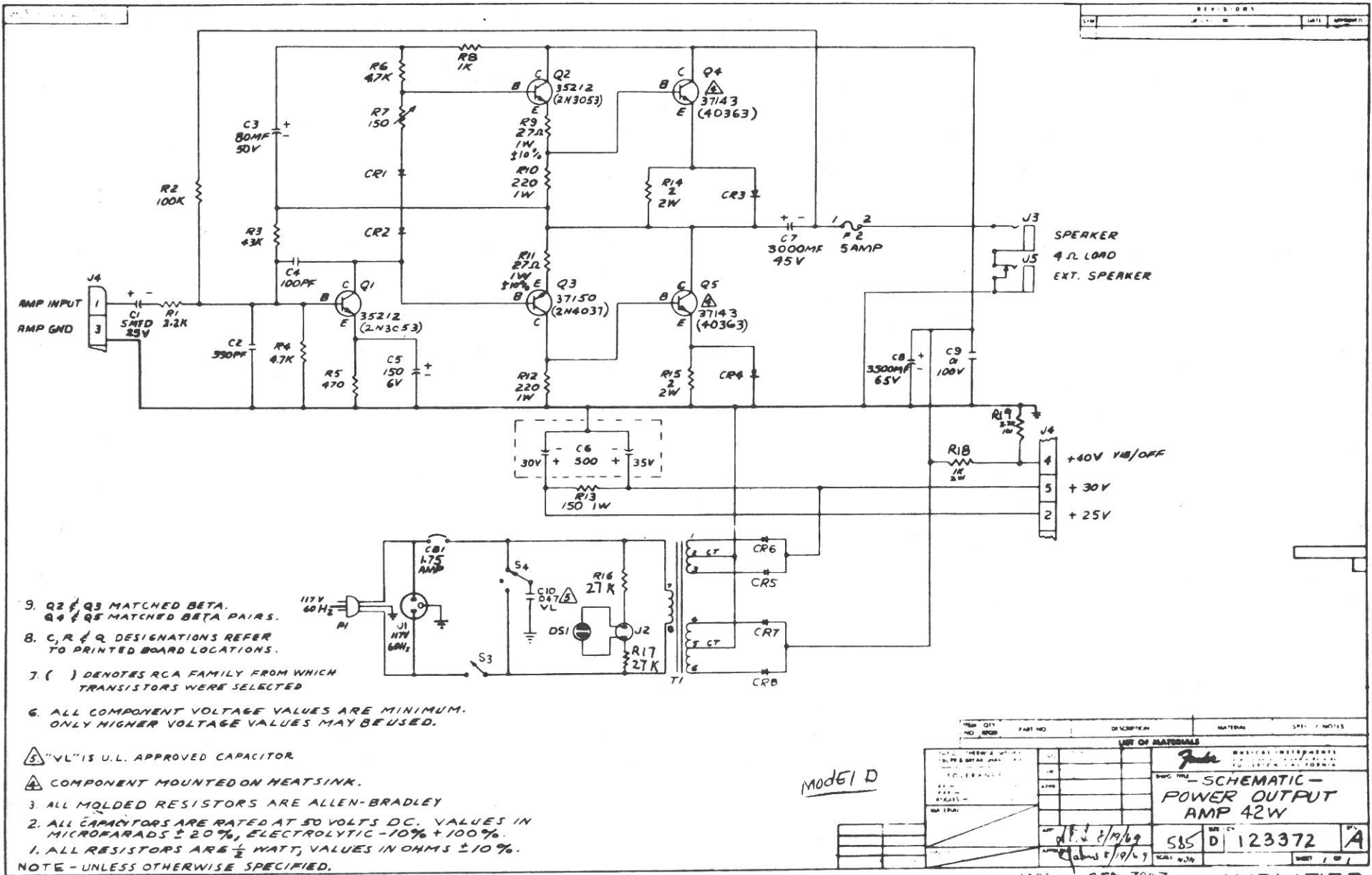
8. ALL TRANSISTORS ARE SELECTED RCA AND G.E.  
 7. C41, C48, C49, C51, C52, C55, C56, C57, C59 UP NOT USED  
 6. R33, R36, R41, R42, R70, R94, R95, R97, R98, R99, R100, R101, R102, R103, R104 AND I07 NOT USED  
 5. C, R & Q DESIGNATIONS REFER TO PRINTED BOARD LOCATIONS  
 4. ALL CAPACITORS ARE RATED AT 50V DC VALUES UNLESS OTHERWISE SPECIFIED  
 3. ALL COMPONENTS VOLTAGE VALUES ARE MINIMUM, UNLESS OTHERWISE SPECIFIED  
 2. ALL MOLDED RESISTORS ARE ALLEN BRADLEY  
 1. ALL RESISTORS ARE 1/2 WATT UNLESS OTHERWISE SPECIFIED



UNLESS OTHERWISE SPECIFIED		DATE	REV	BY	APP'D
FRACTIONS	TOLERANCES	3-12-70			
1/16"	± 10%				
1/8"	± 10%				
1/4"	± 10%				
3/8"	± 10%				
1/2"	± 10%				
3/4"	± 10%				
1"	± 10%				
1 1/4"	± 10%				
1 1/2"	± 10%				
2"	± 10%				
2 1/2"	± 10%				
3"	± 10%				
3 1/2"	± 10%				
4"	± 10%				
4 1/2"	± 10%				
5"	± 10%				
5 1/2"	± 10%				
6"	± 10%				
6 1/2"	± 10%				
7"	± 10%				
7 1/2"	± 10%				
8"	± 10%				
8 1/2"	± 10%				
9"	± 10%				
9 1/2"	± 10%				
10"	± 10%				
10 1/2"	± 10%				
11"	± 10%				
11 1/2"	± 10%				
12"	± 10%				
12 1/2"	± 10%				
13"	± 10%				
13 1/2"	± 10%				
14"	± 10%				
14 1/2"	± 10%				
15"	± 10%				
15 1/2"	± 10%				
16"	± 10%				
16 1/2"	± 10%				
17"	± 10%				
17 1/2"	± 10%				
18"	± 10%				
18 1/2"	± 10%				
19"	± 10%				
19 1/2"	± 10%				
20"	± 10%				
20 1/2"	± 10%				
21"	± 10%				
21 1/2"	± 10%				
22"	± 10%				
22 1/2"	± 10%				
23"	± 10%				
23 1/2"	± 10%				
24"	± 10%				
24 1/2"	± 10%				
25"	± 10%				
25 1/2"	± 10%				
26"	± 10%				
26 1/2"	± 10%				
27"	± 10%				
27 1/2"	± 10%				
28"	± 10%				
28 1/2"	± 10%				
29"	± 10%				
29 1/2"	± 10%				
30"	± 10%				
30 1/2"	± 10%				
31"	± 10%				
31 1/2"	± 10%				
32"	± 10%				
32 1/2"	± 10%				
33"	± 10%				
33 1/2"	± 10%				
34"	± 10%				
34 1/2"	± 10%				
35"	± 10%				
35 1/2"	± 10%				
36"	± 10%				
36 1/2"	± 10%				
37"	± 10%				
37 1/2"	± 10%				
38"	± 10%				
38 1/2"	± 10%				
39"	± 10%				
39 1/2"	± 10%				
40"	± 10%				
40 1/2"	± 10%				
41"	± 10%				
41 1/2"	± 10%				
42"	± 10%				
42 1/2"	± 10%				
43"	± 10%				
43 1/2"	± 10%				
44"	± 10%				
44 1/2"	± 10%				
45"	± 10%				
45 1/2"	± 10%				
46"	± 10%				
46 1/2"	± 10%				
47"	± 10%				
47 1/2"	± 10%				
48"	± 10%				
48 1/2"	± 10%				
49"	± 10%				
49 1/2"	± 10%				
50"	± 10%				
50 1/2"	± 10%				
51"	± 10%				
51 1/2"	± 10%				
52"	± 10%				
52 1/2"	± 10%				
53"	± 10%				
53 1/2"	± 10%				
54"	± 10%				
54 1/2"	± 10%				
55"	± 10%				
55 1/2"	± 10%				
56"	± 10%				
56 1/2"	± 10%				
57"	± 10%				
57 1/2"	± 10%				
58"	± 10%				
58 1/2"	± 10%				
59"	± 10%				
59 1/2"	± 10%				
60"	± 10%				
60 1/2"	± 10%				
61"	± 10%				
61 1/2"	± 10%				
62"	± 10%				
62 1/2"	± 10%				
63"	± 10%				
63 1/2"	± 10%				
64"	± 10%				
64 1/2"	± 10%				
65"	± 10%				
65 1/2"	± 10%				
66"	± 10%				
66 1/2"	± 10%				
67"	± 10%				
67 1/2"	± 10%				
68"	± 10%				
68 1/2"	± 10%				
69"	± 10%				
69 1/2"	± 10%				
70"	± 10%				
70 1/2"	± 10%				
71"	± 10%				
71 1/2"	± 10%				
72"	± 10%				
72 1/2"	± 10%				
73"	± 10%				
73 1/2"	± 10%				
74"	± 10%				
74 1/2"	± 10%				
75"	± 10%				
75 1/2"	± 10%				
76"	± 10%				
76 1/2"	± 10%				
77"	± 10%				
77 1/2"	± 10%				
78"	± 10%				
78 1/2"	± 10%				
79"	± 10%				
79 1/2"	± 10%				
80"	± 10%				
80 1/2"	± 10%				
81"	± 10%				
81 1/2"	± 10%				
82"	± 10%				
82 1/2"	± 10%				
83"	± 10%				
83 1/2"	± 10%				
84"	± 10%				
84 1/2"	± 10%				
85"	± 10%				
85 1/2"	± 10%				
86"	± 10%				
86 1/2"	± 10%				
87"	± 10%				
87 1/2"	± 10%				
88"	± 10%				
88 1/2"	± 10%				
89"	± 10%				
89 1/2"	± 10%				
90"	± 10%				
90 1/2"	± 10%				
91"	± 10%				
91 1/2"	± 10%				
92"	± 10%				
92 1/2"	± 10%				
93"	± 10%				
93 1/2"	± 10%				
94"	± 10%				
94 1/2"	± 10%				
95"	± 10%				
95 1/2"	± 10%				
96"	± 10%				
96 1/2"	± 10%				
97"	± 10%				
97 1/2"	± 10%				
98"	± 10%				
98 1/2"	± 10%				
99"	± 10%				
99 1/2"	± 10%				
100"	± 10%				
100 1/2"	± 10%				

**Fender** MUSICAL INSTRUMENTS  
 SANTA ANA, CALIFORNIA  
 PART TITLE SCHEMATIC-PREAMP  
 CFA7007A (TAURUS)  
 SOLID STATE

REL. NO. D 12EE45  
 CFA7007A



MODEL D

ITEM QTY	PART NO	DESCRIPTION	MATERIAL	SPQ / NOTES
LIST OF MATERIALS				
<b>- SCHEMATIC -</b> <b>POWER OUTPUT</b> <b>AMP 42W</b>				
DATE: 2/19/69		REV: D		123372
DRAWN: 8/19/69		SCALE: 4/34		SHEET 1 OF 1

MODEL CFA 7007  
RFD 7005

AMPLIFIER SS