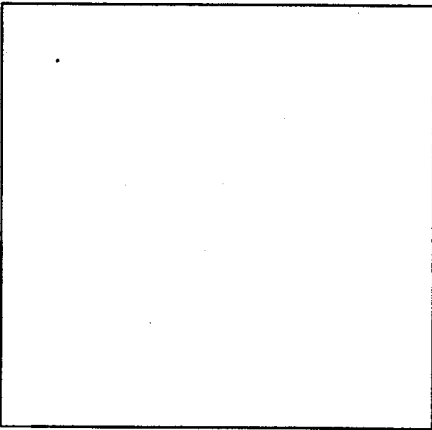
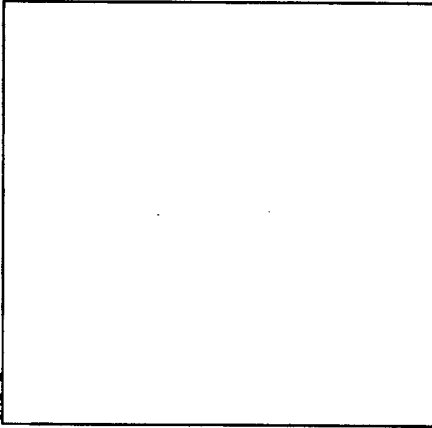


VI-1 SCHEMATICS

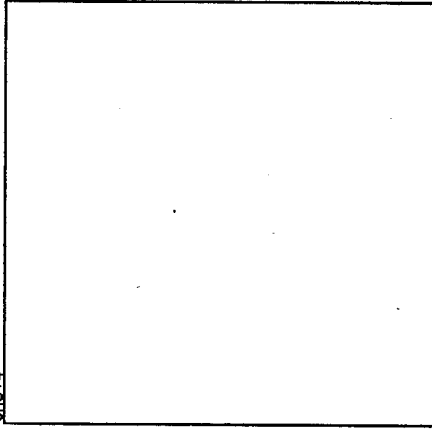
PSU



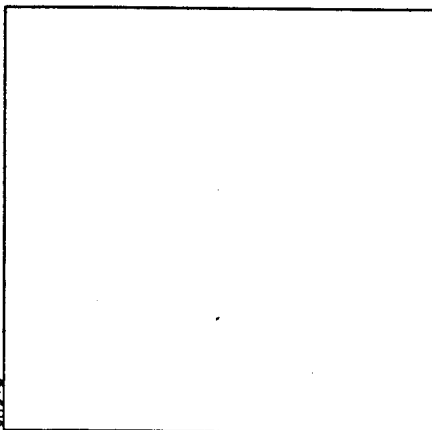
CH1+2



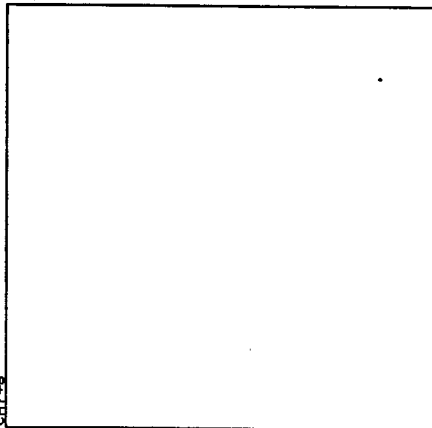
CH3+4



CH5+6

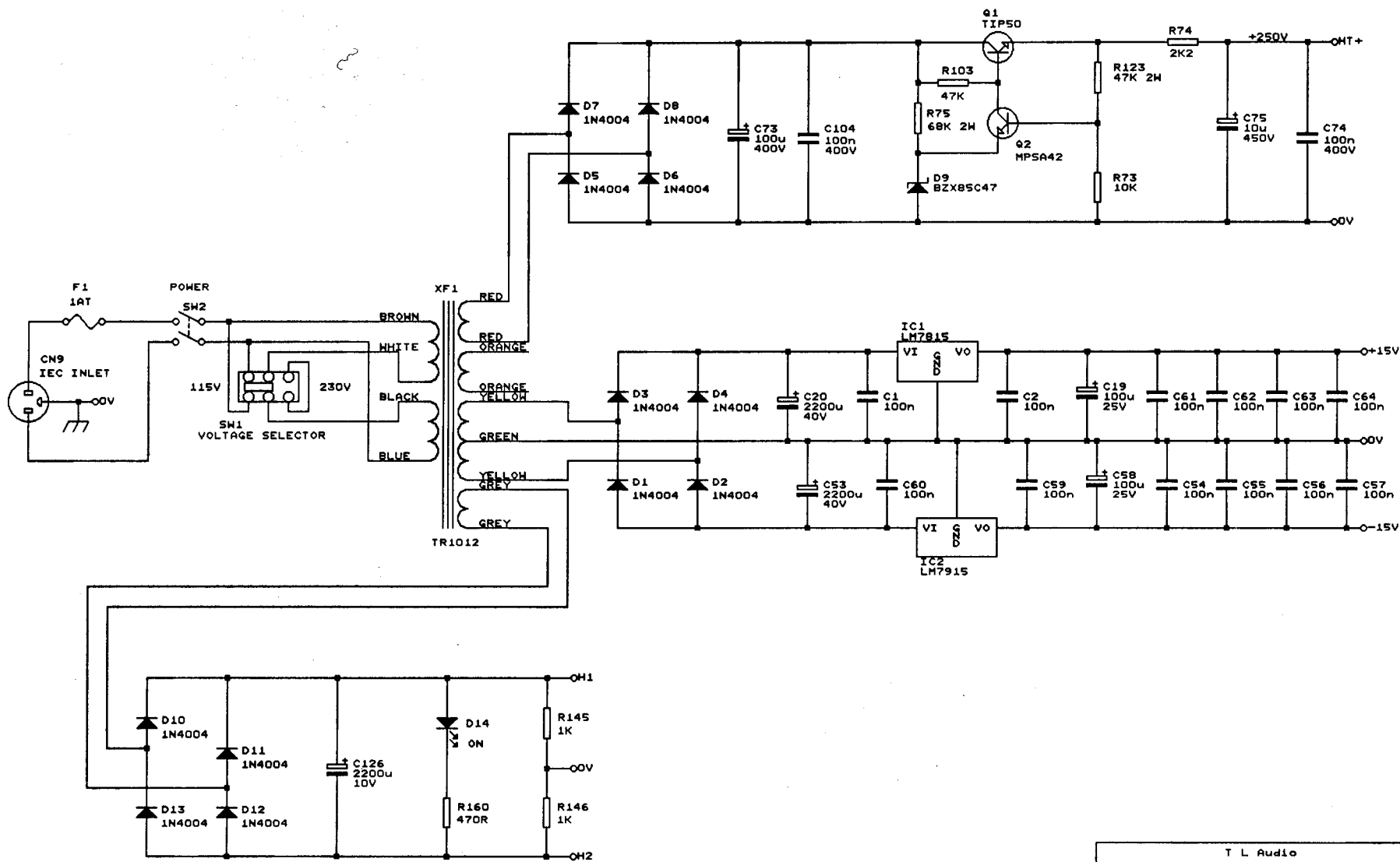


CH7+8

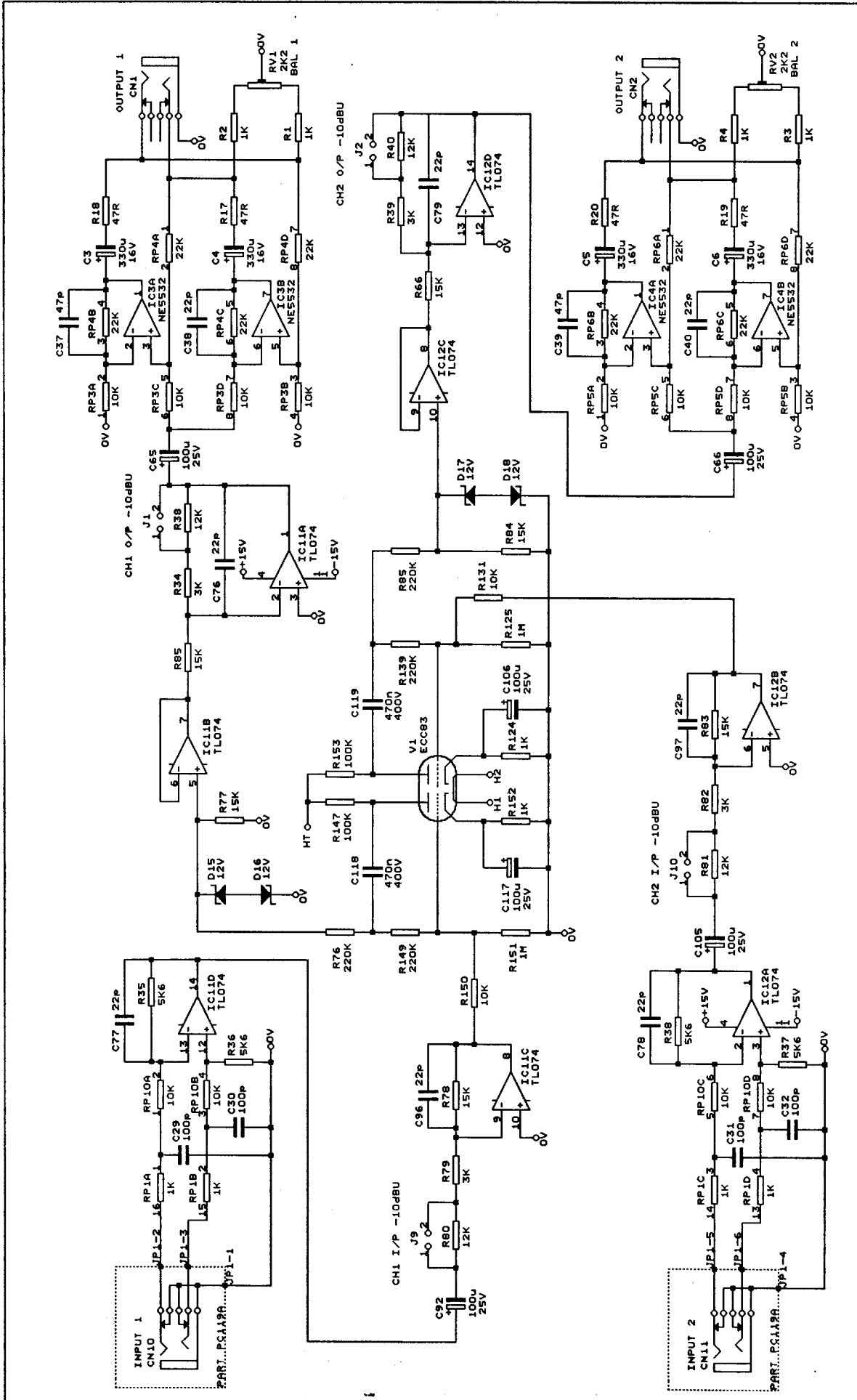


VI-1 SCHEMATICS

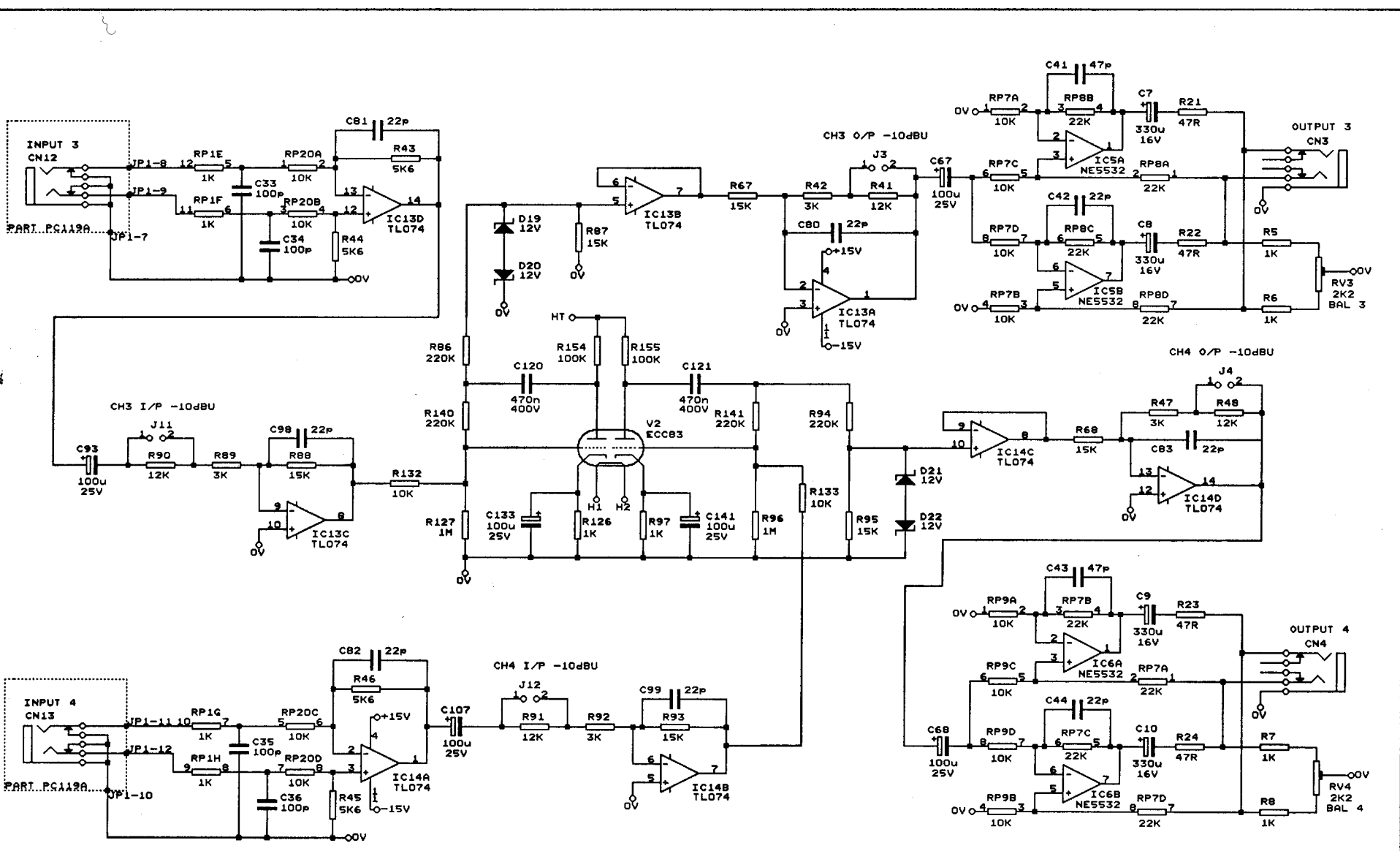
Title	TL Audio
Size	Copyright 1995
Document Number	B Channel Valve Line Amp.
REV	B CD119
Date	August 17, 1995
Sheet	1 of 6



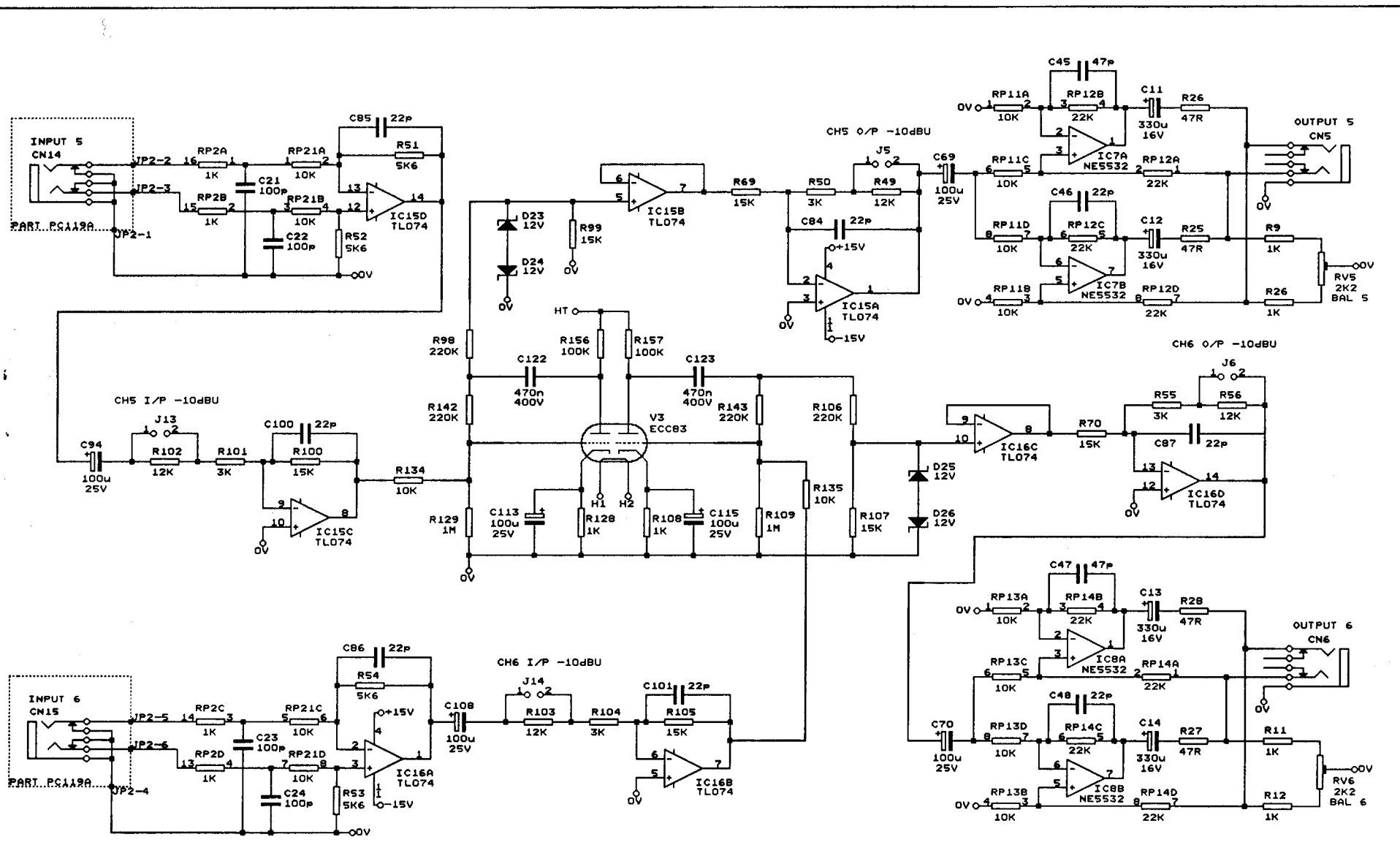
T L Audio	
COPYRIGHT 1994	
Title	
8 Ch VALVE LINE AMP	
Size	Document Number
B	CD1119
Date:	August 17, 1995 Sheet 2 of 6
REV	2



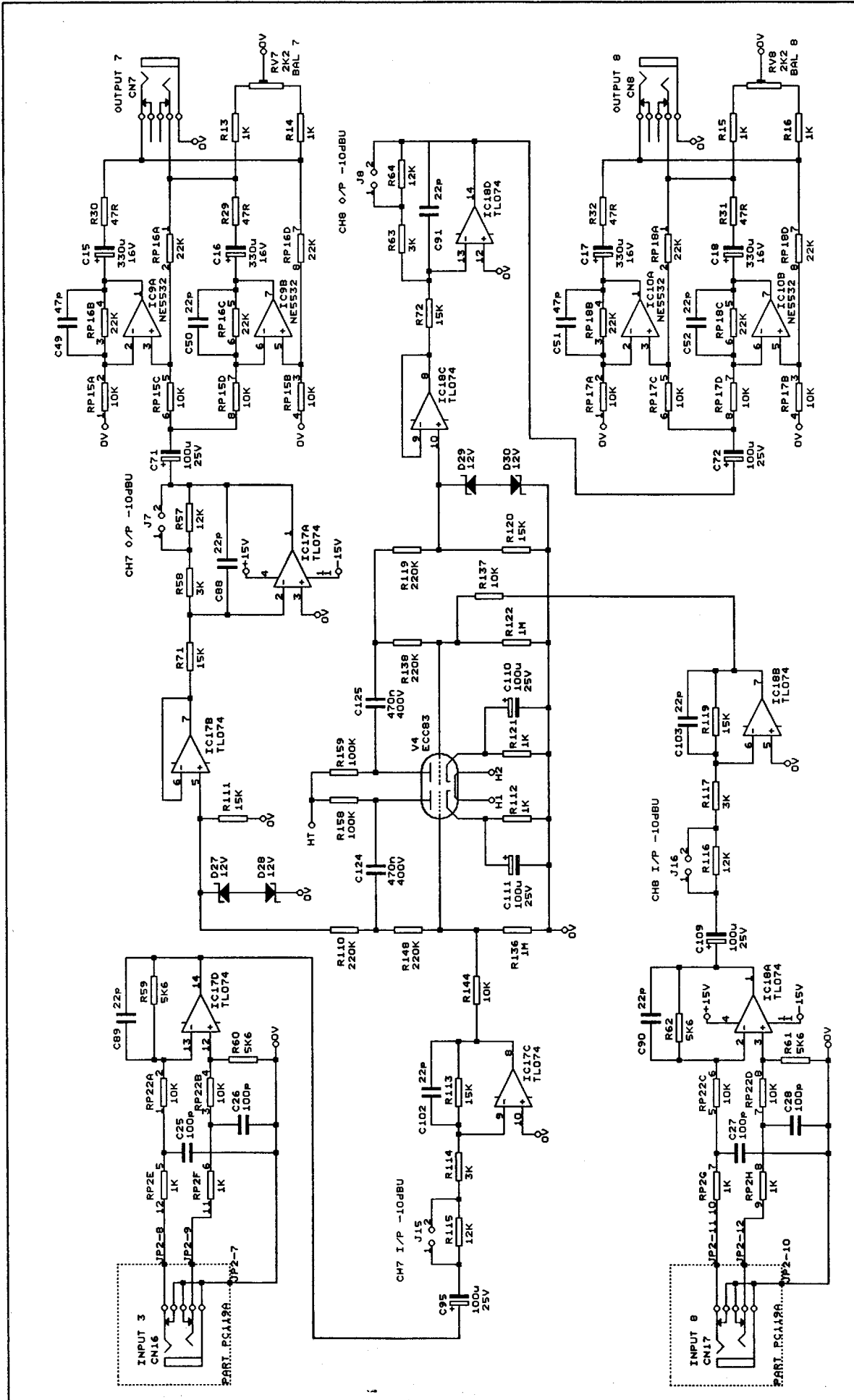
TL Audio
 Copyright 1995
 Title 8 Channel Valve Line Amp.
 Size Document Number CD1119
 B
 Date: August 17, 1995 Sheet 3 of 6
 REV 2



TL Audio	
Copyright 1995	
Title	
8 Channel Valve Line Amp.	
Size Document Number	
B CD1119	
Date:	August 17, 1995
Sheet	4 of 6
REV	2



TL Audio	
Copyright 1995	
Title 8 Channel Valve Line Amp.	
Size Document Number B CD1119	
Date: August 17, 1995	REV 2
Sheet 5 of 6	



TL Audio
 Copyright 1995
 Title: 3 Channel Valve Line Amp.
 Size: Document Number: CD1119
 B
 Date: August 17, 1995 Sheet 6 of 6