

MIC INPUT Sheet 2

LINE IN Sheet 3

L.F./H.F. EQ. OUTPUT Sheet 4

L.M/H.M. VALVE STAGES Sheet 5

PSU Sheet 6

BAROGRAPH Sheet 7

### NOTES FOR QUALIFIED SERVICE ENGINEERS

The following voltages exist within this unit under normal working circumstances: 230V (115V) AC Mains and 300V DC. These voltages may take several minutes to decay after the unit is switched off.

### CARE MUST BE TAKEN WHEN FAULT FINDING.

- DO NOT handle the PCB while the unit is connected to the Mains Supply.
- DO NOT use screws with different type or length than those currently fitted.
- DO NOT remove EARTH wires under any circumstances.
- REPLACE all covers removed during servicing.
- During reassembly DO NOT allow wires to be trapped.

IF IN DOUBT RETURN UNIT TO SUPPLIER.

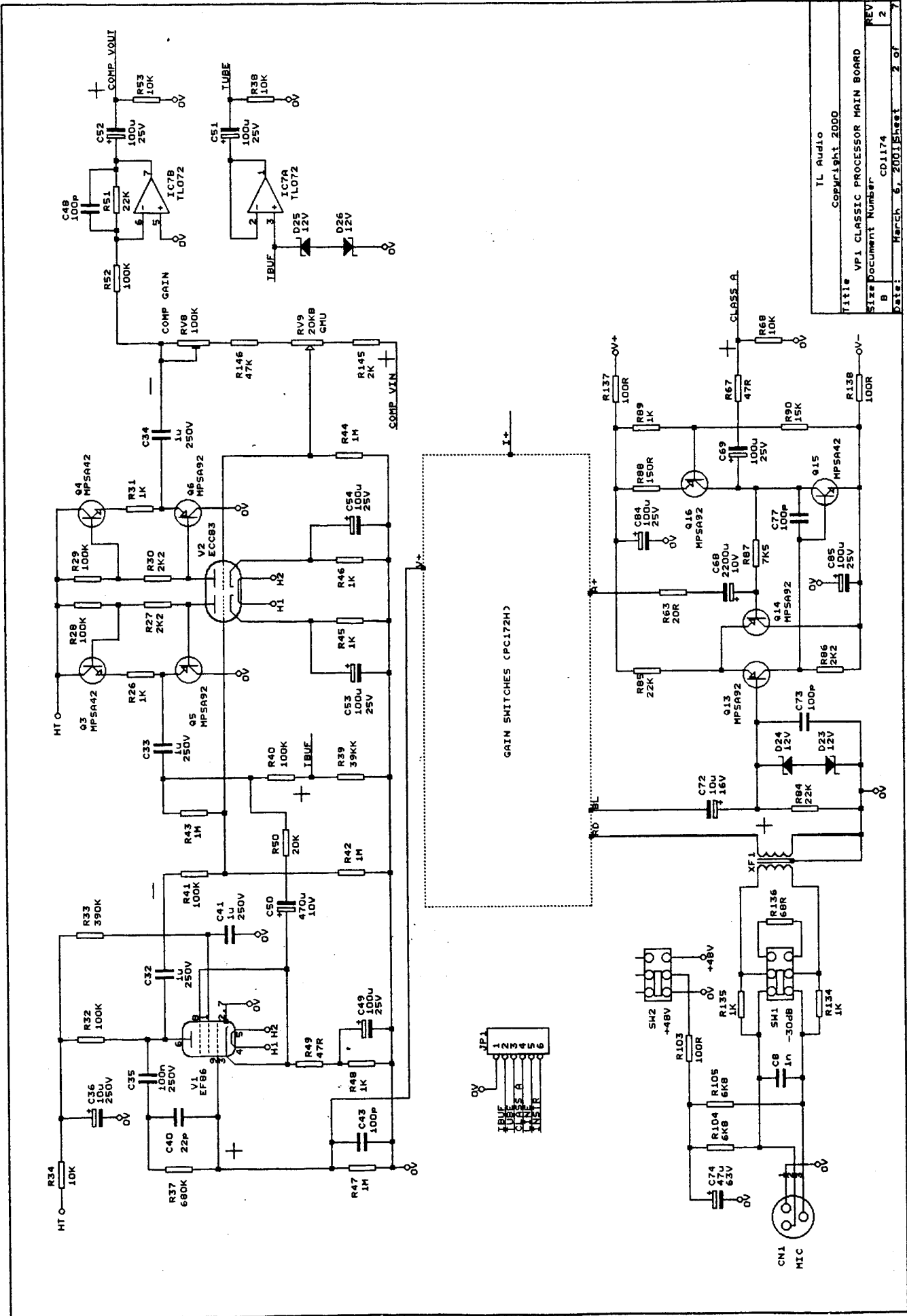
TL Audio  
Copyright 2000

Title VPI CLASSIC PROCESSOR MAIN BOARD

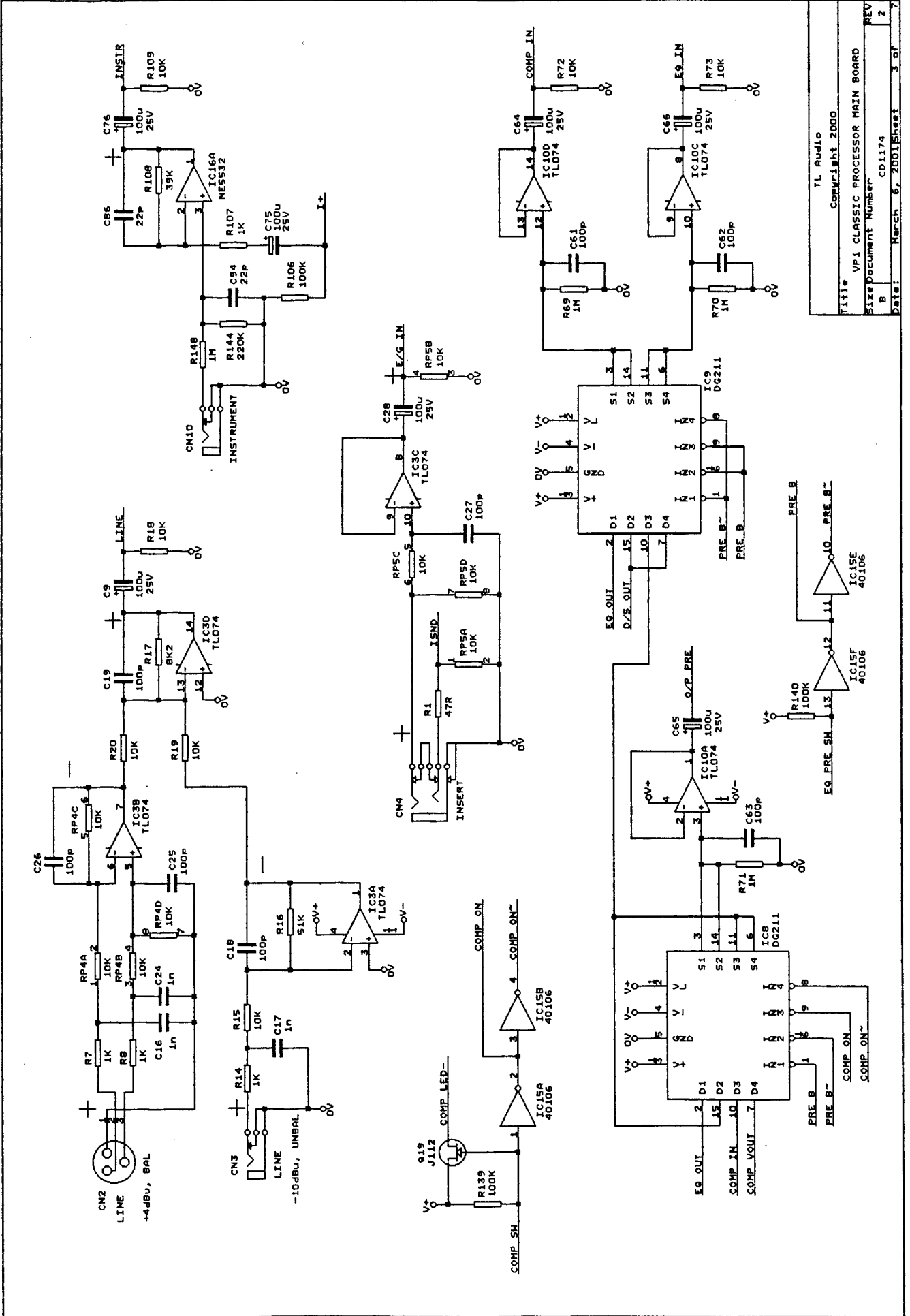
Size Document Number B CD1174

Date: March 6, 2001 Sheet 1 of 7

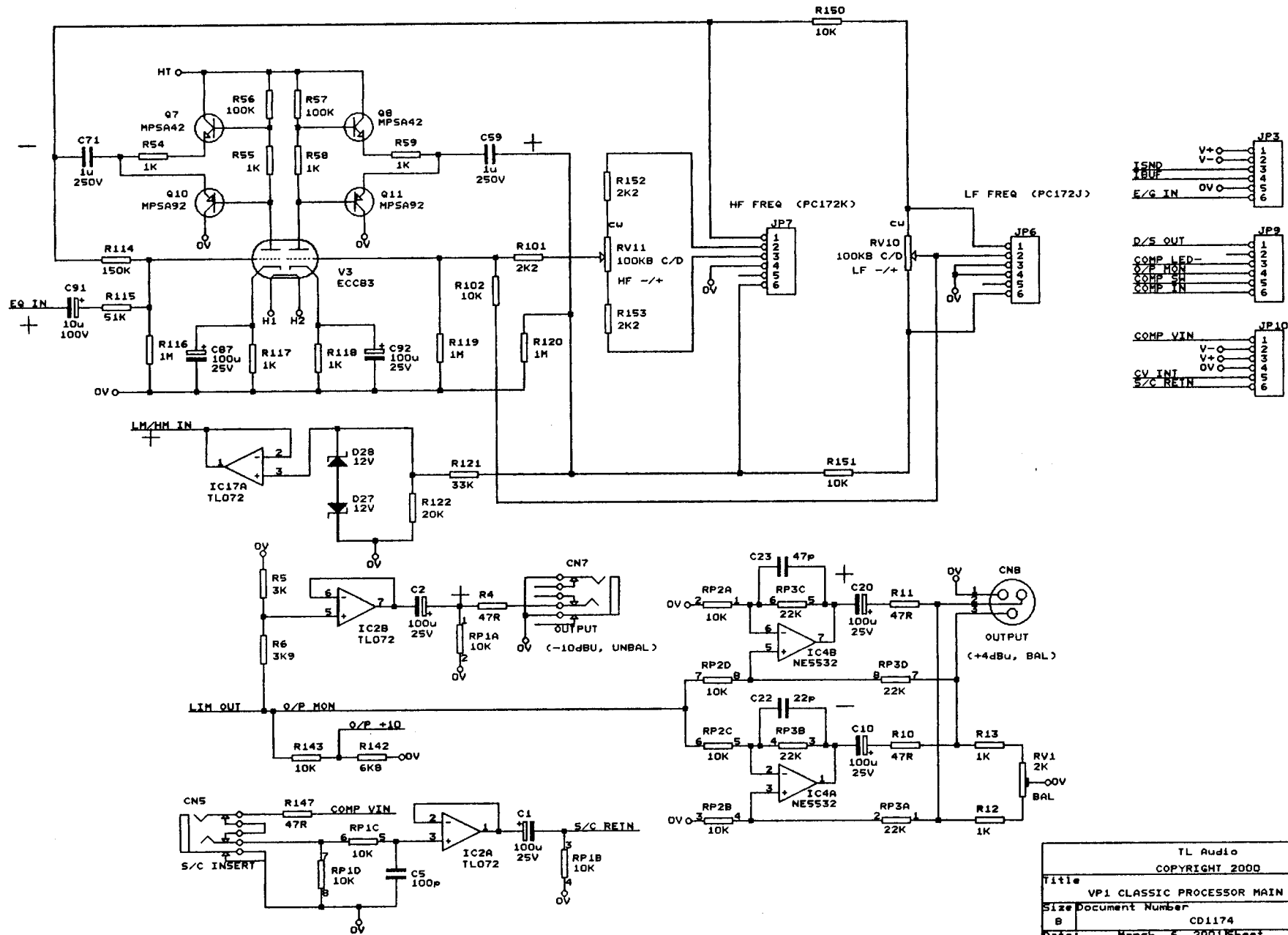
REV 2



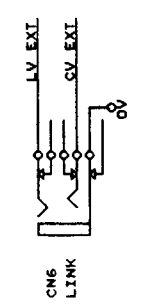
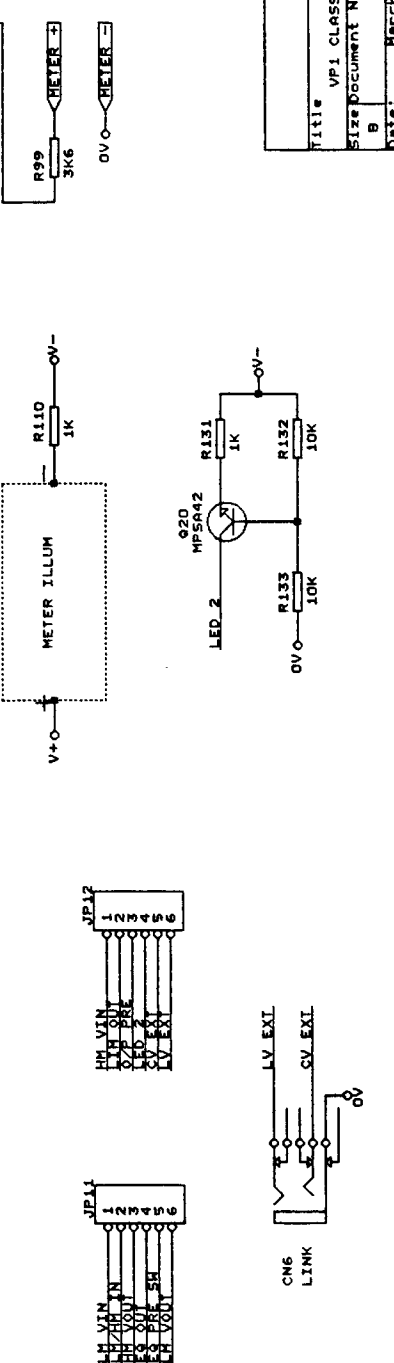
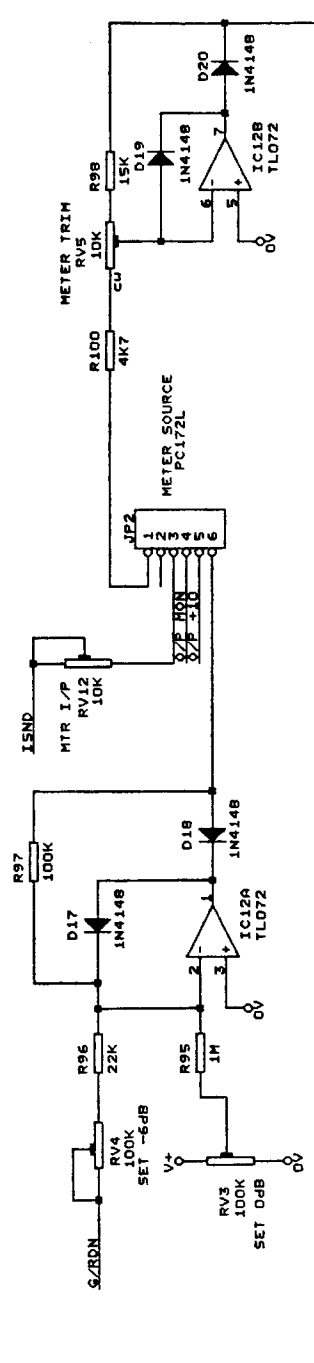
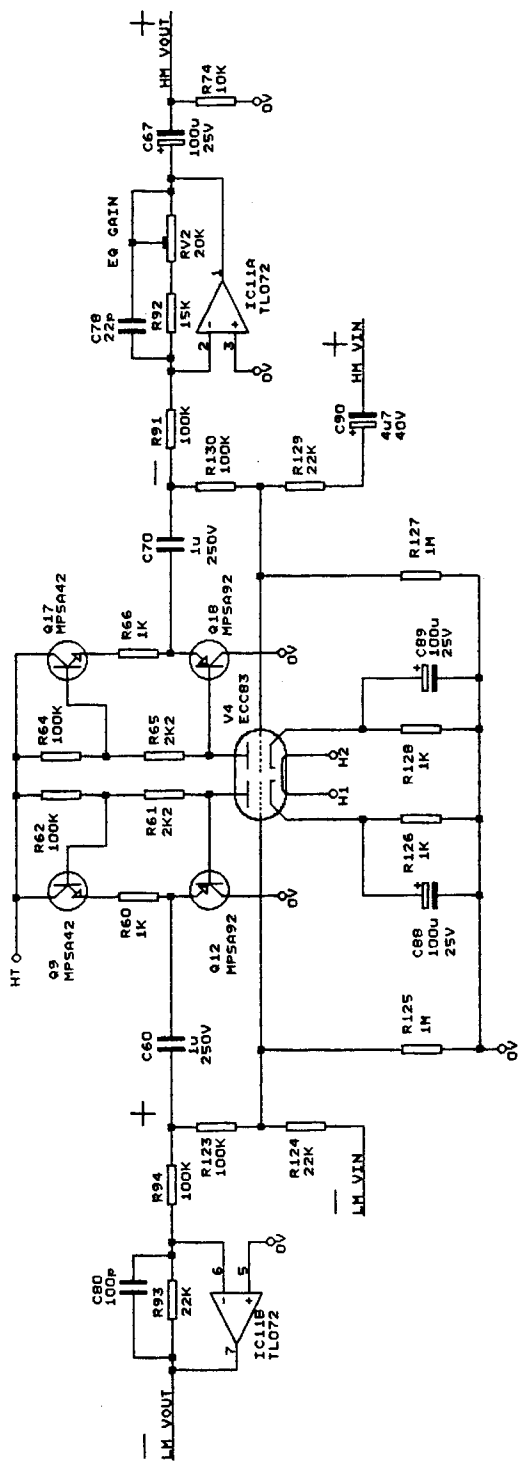
TL Audio  
Copr-Light 2000  
Title VPI CLASSIC PROCESSOR MAIN BOARD  
Size Document Number CD1174  
Rev B  
Date Mar-Ch 6, 2001 Sheet 2 of 7



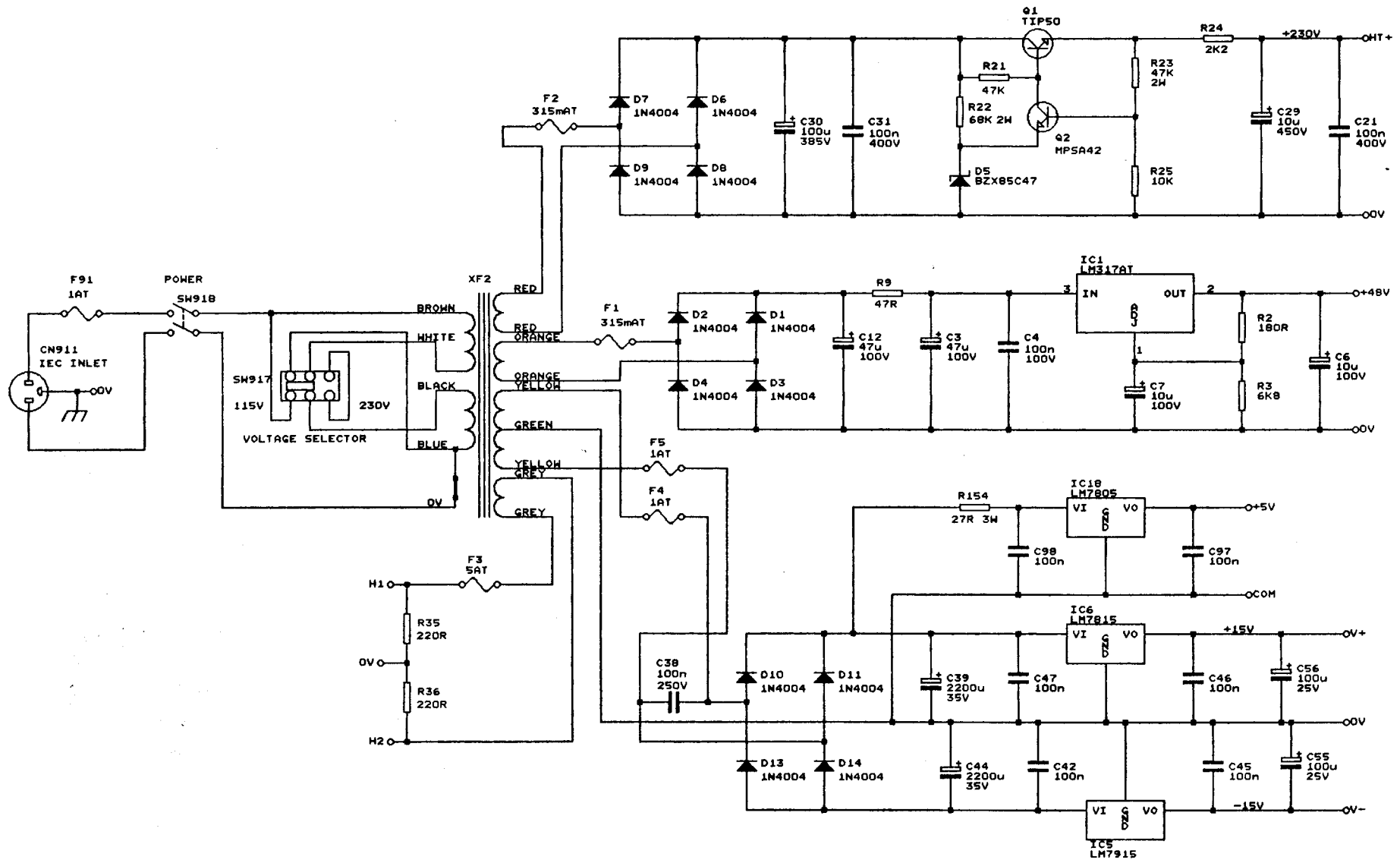
Title TL Audio  
 Copyright 2000  
 VPI CLASSIC PROCESSOR MAIN BOARD  
 Size Document Number CD1174  
 B REV 2  
 Date: March 6, 2001 Sheet 3 of 7



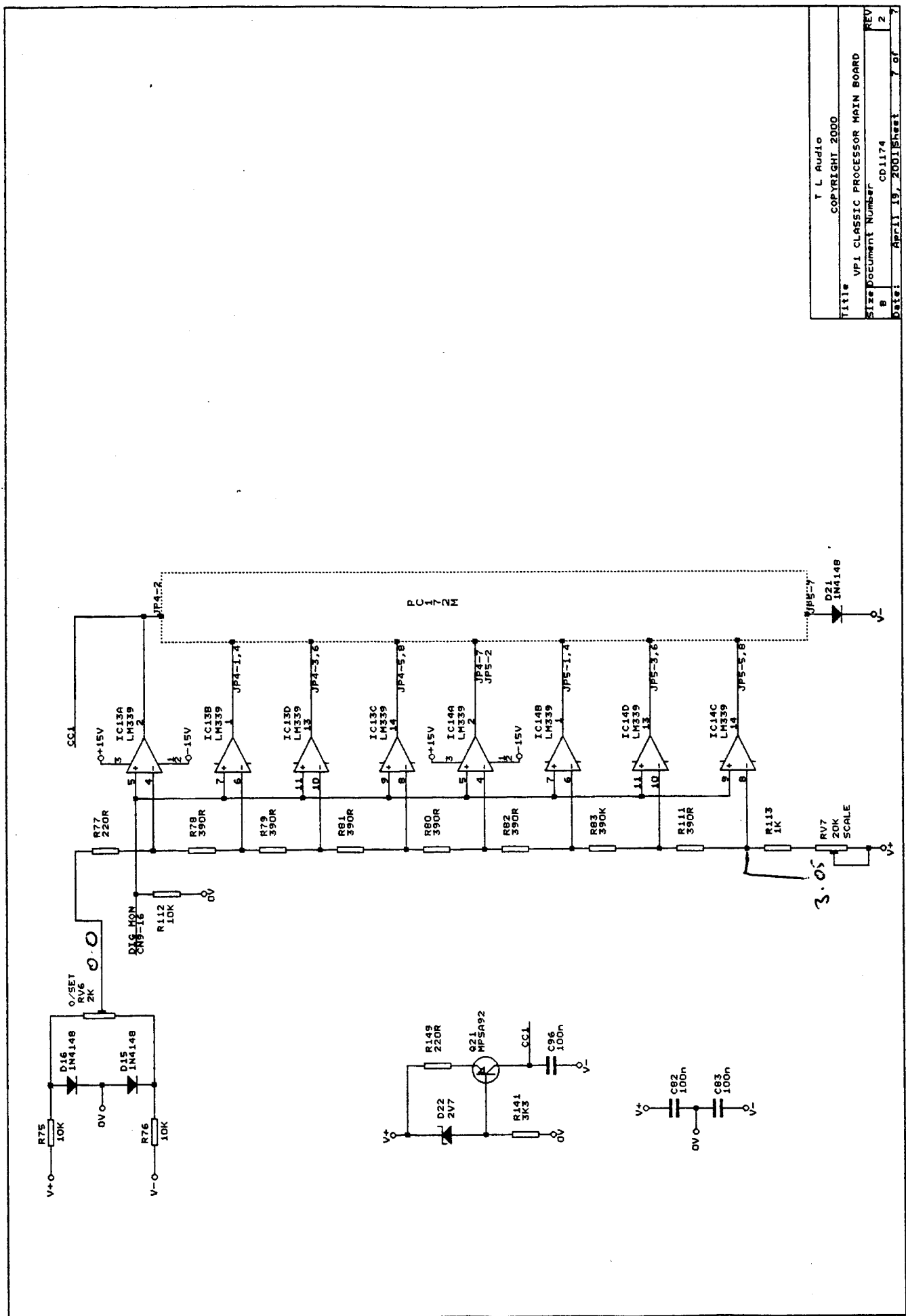
TL Audio	
COPYRIGHT 2000	
Title VP1 CLASSIC PROCESSOR MAIN BOARD	
Size Document Number	REV
B CD1174	2
Date: March 6, 2001	Sheet 4 of 7



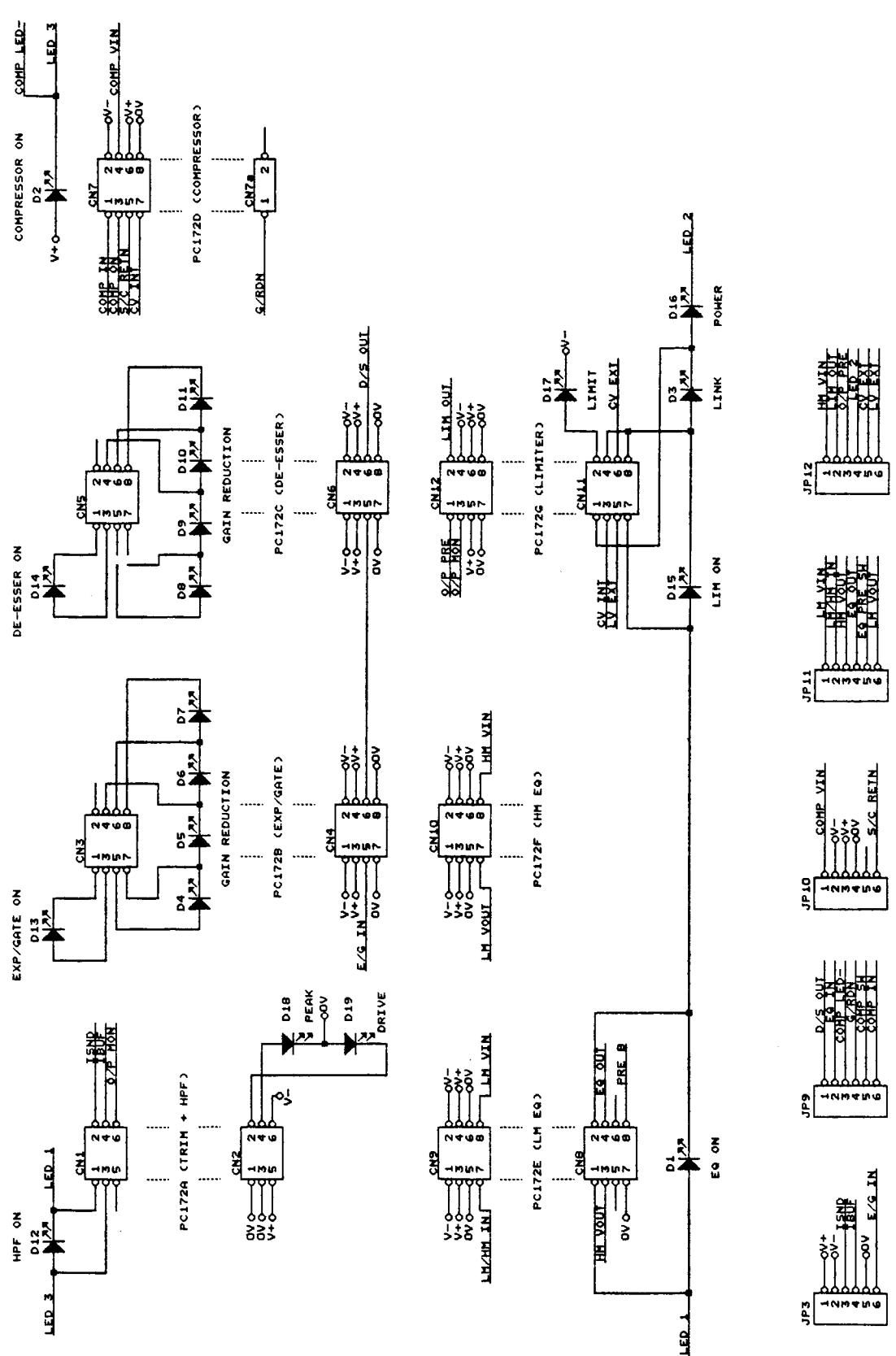
TL Audio	
Copyright 2000	
Title	VP1 CLASSIC PROCESSOR MAIN BOARD
Size	Document Number CD1174
REV	B
REV	2
Date	March 5, 2001 Sheet 5 of 7



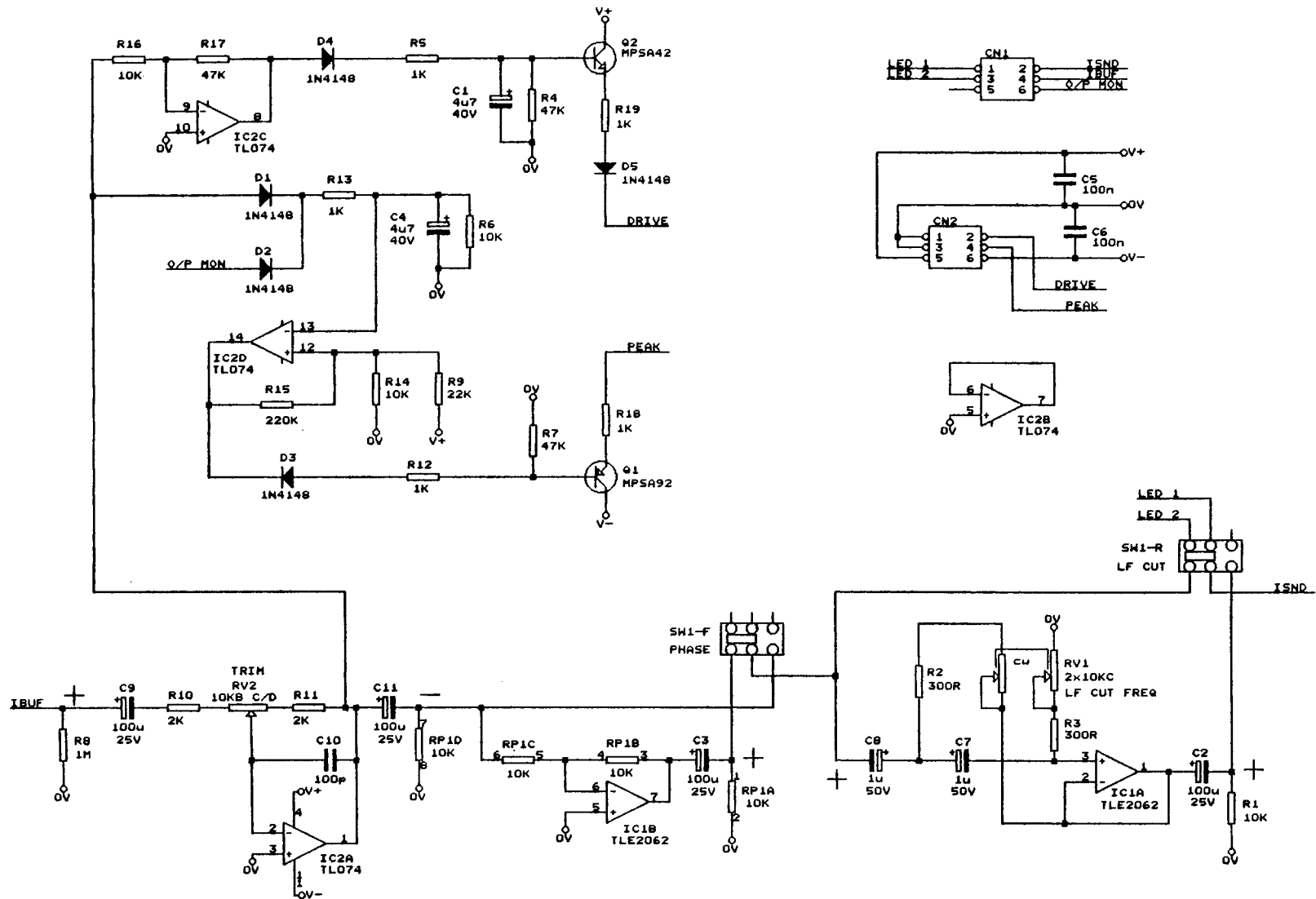
T L Audio	
COPYRIGHT 2000	
Title VPI CLASSIC PROCESSOR MAIN BOARD	
Size	Document Number
B	CD1174
Date:	March 6, 2001
Sheet	6 of 7
REV	2



T L Audio  
 COPYRIGHT 2000  
 Title VPI CLASSIC PROCESSOR MAIN BOARD  
 Size Document Number CD1174  
 REV 2  
 Date: April 19, 2001 Sheet 7 of 7

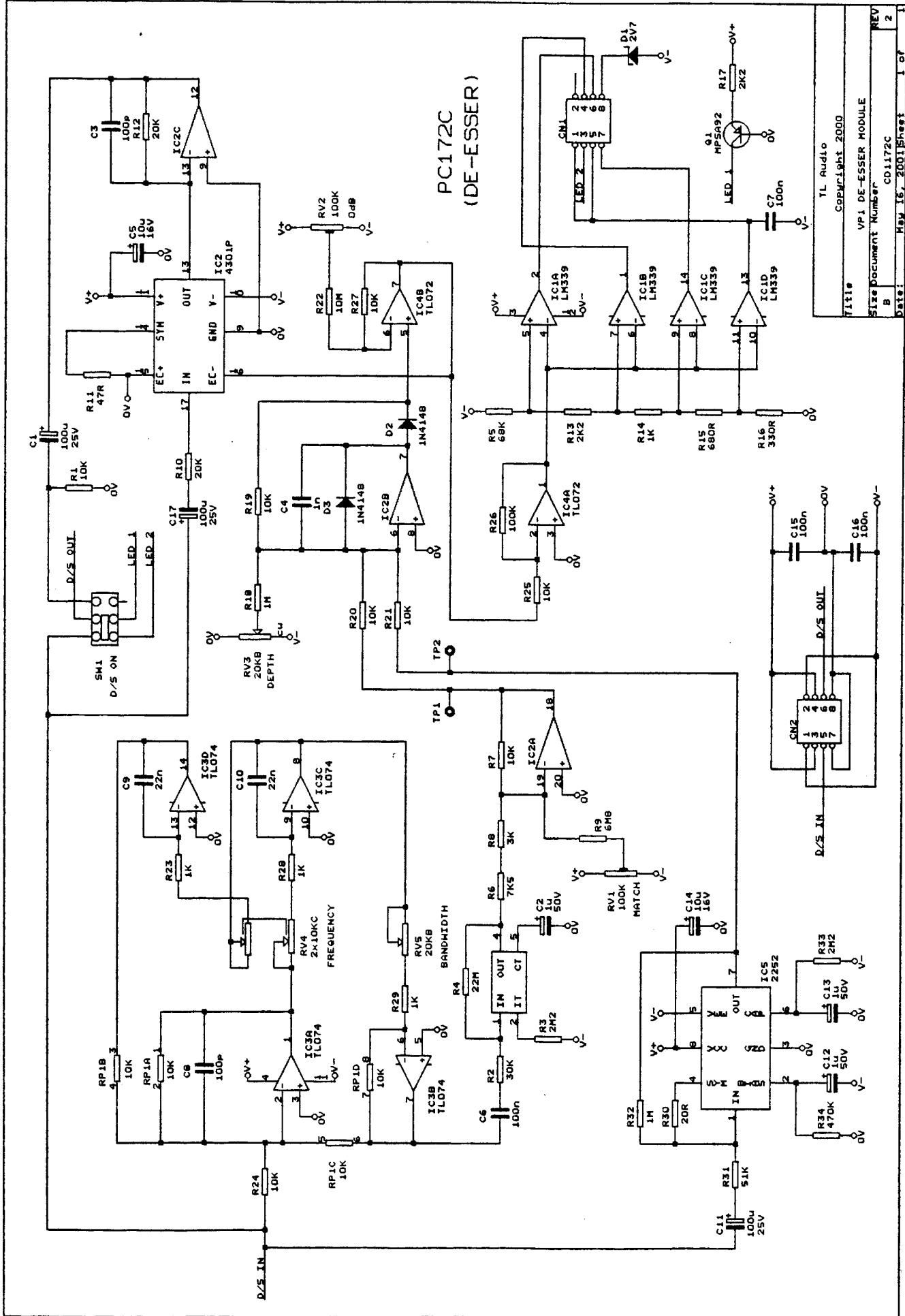






PC172A (TRIM + HPF).

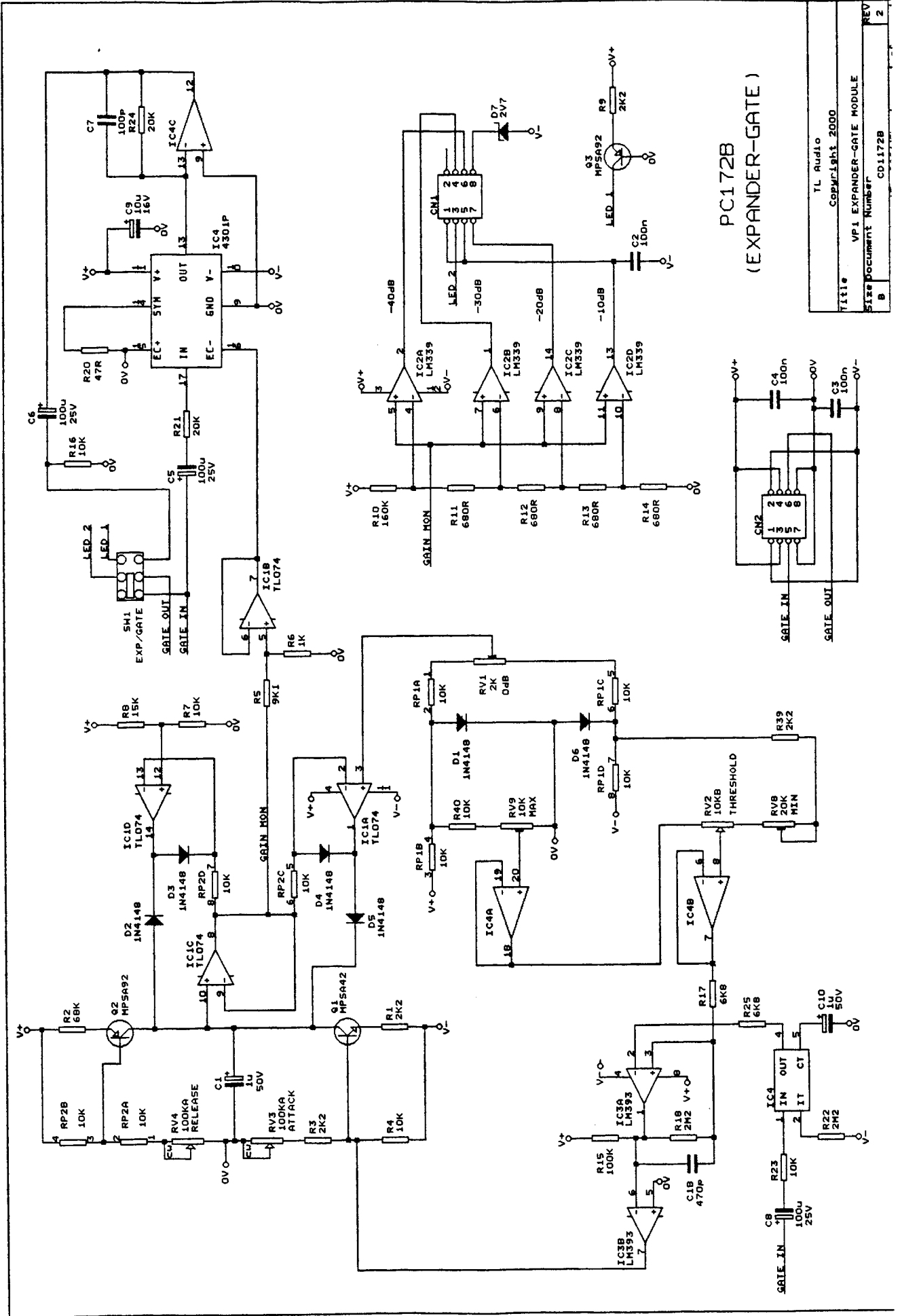
T L Audio	
COPYRIGHT 2000	
Title	
VP1 TRIM + HPF MODULE	
Size	Document Number
B	CD1172A
Date:	October 30, 2000 Sheet 1 of 1
REV	2



PC172C  
(DE-ESSER)

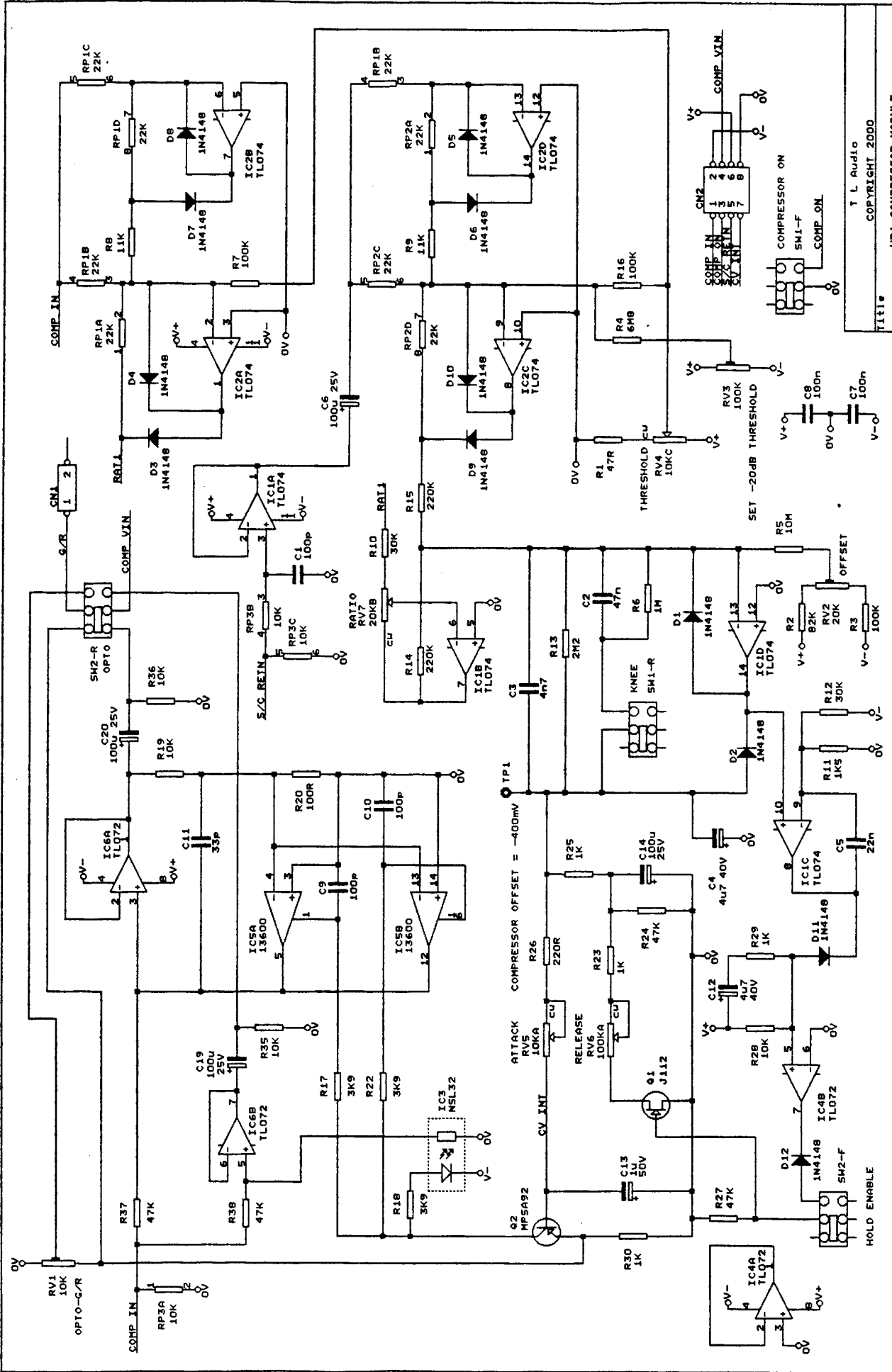
Rev	2
Size	Document Number
Title	VP1 DE-ESSER MODULE
Date	15th Feb 2001
Page	1 of 1

TL Audio  
Copyright 2000  
VP1 DE-ESSER MODULE  
CD1172C  
REV 2



PC172B  
(EXPANDER-GATE)

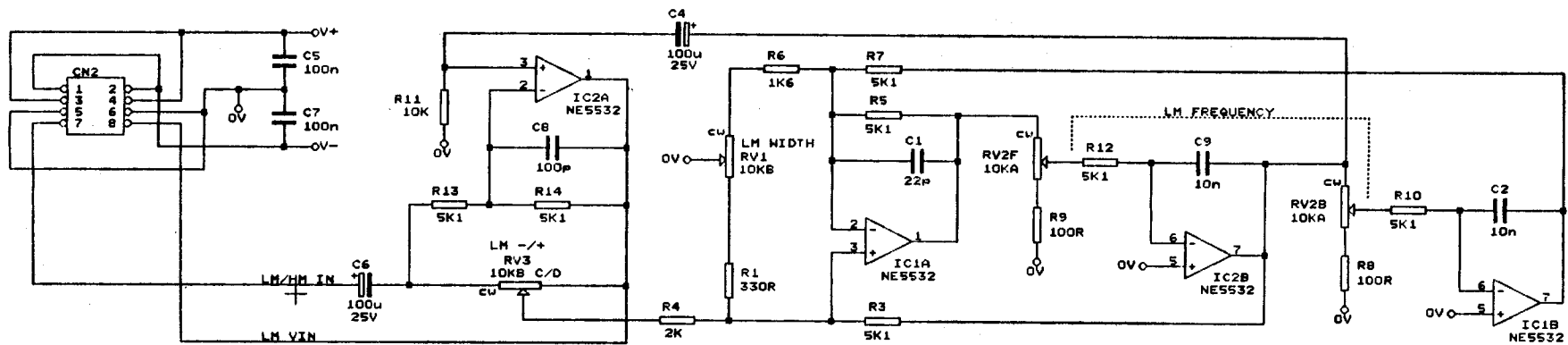
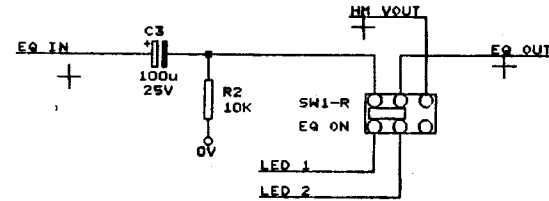
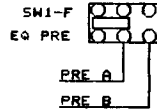
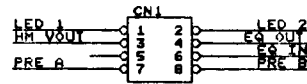
Rev	2
Size	2
Document Number	CD1172B
Title	VPI EXPANDER-GATE MODULE
Copyright	2000
TL Audio	



PC172D (COMPRESSOR).

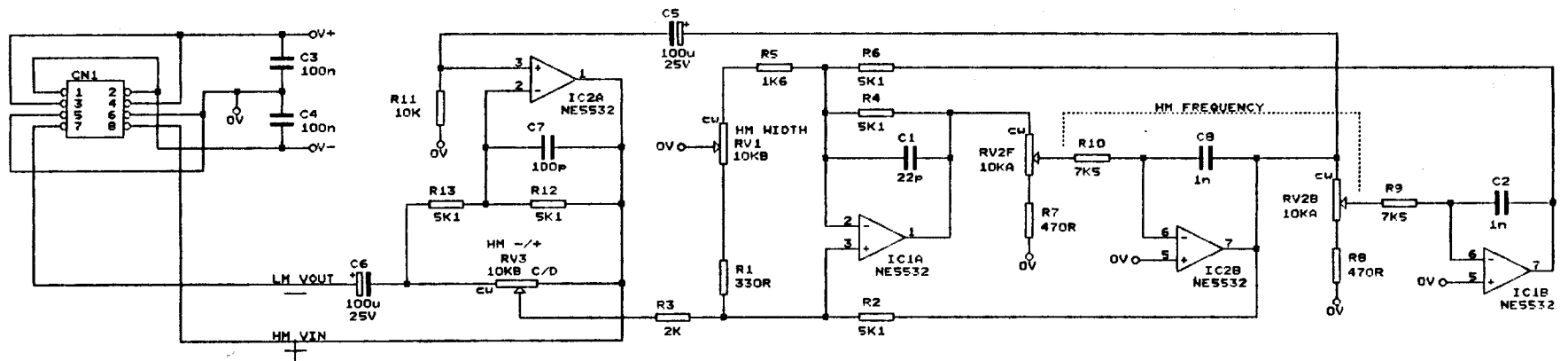
Part	Value
TL11*	T L Audio
Copyright	COPYRIGHT 2000
Module	VPI COMPRESSOR MODULE
Size Document Number	CD1172D
Rev	2

# PC172E (LM EQ).



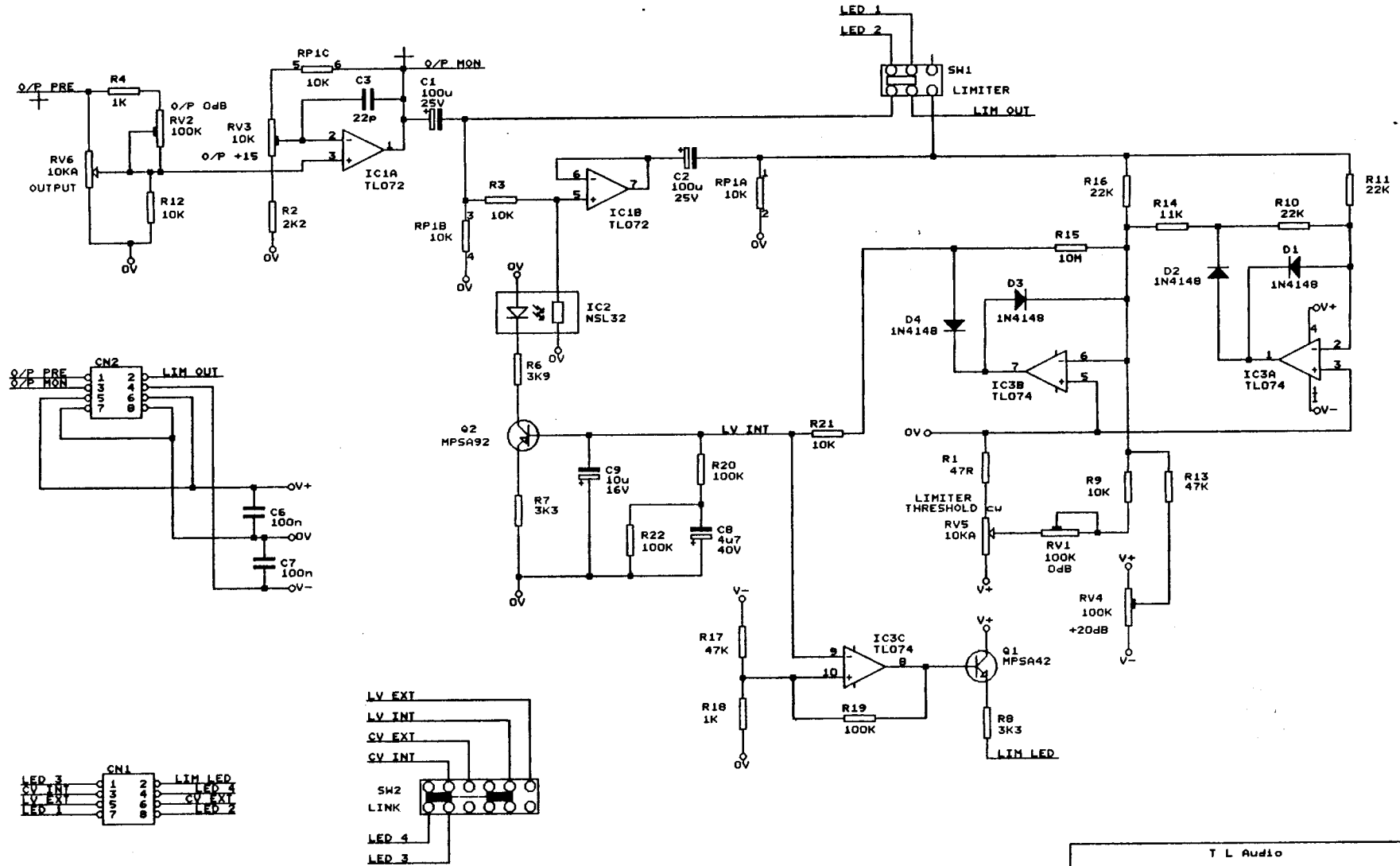
TL Audio	
COPYRIGHT 2000	
Title	
VP1 LM EQ MODULE	
Size	Document Number
B	CD1172E
Date: September 18, 2000	Sheet 1 of 1

PC172F (HM EQ).

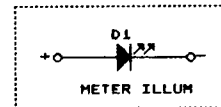
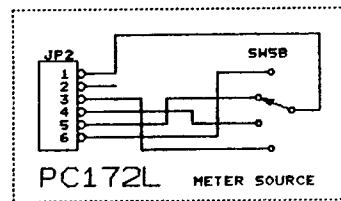
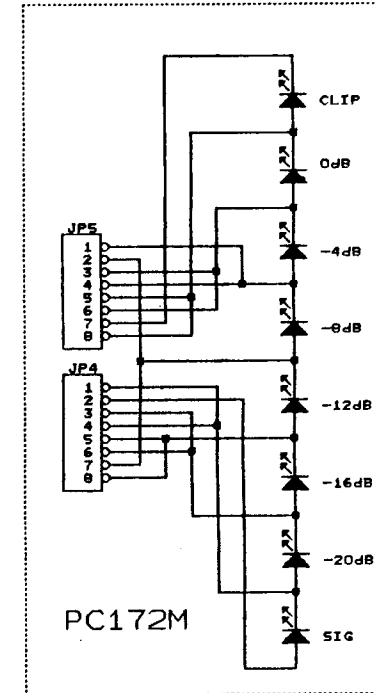
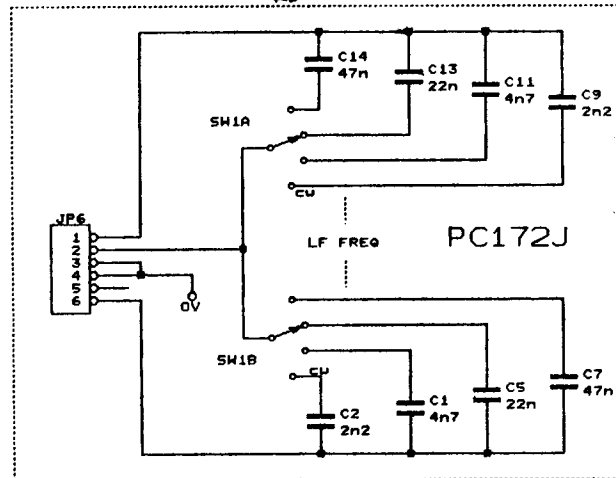
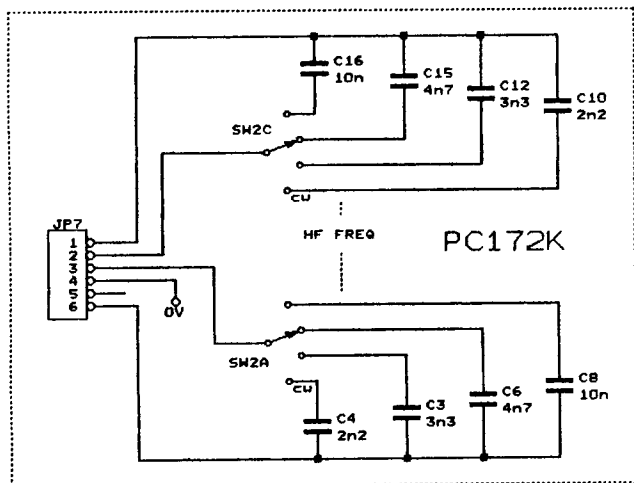
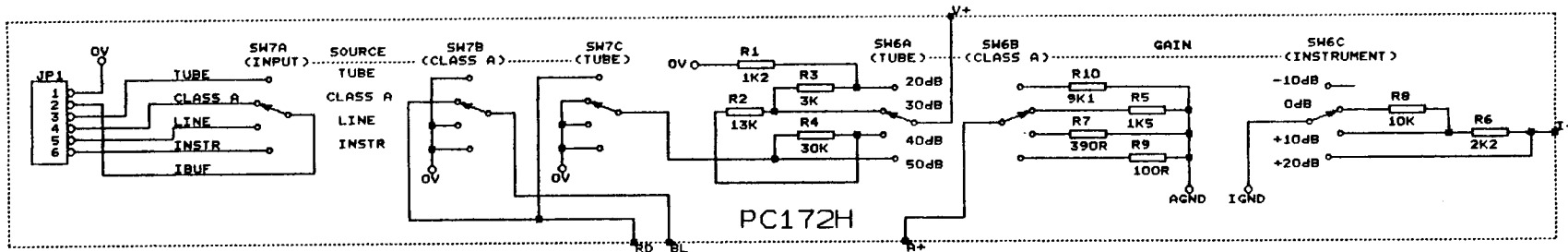


TL Audio	
COPYRIGHT 2000	
Title	
VP1 HM EQ MODULE	
Size	Document Number
B	CD1172F
Date: September 18, 2000	Sheet 1 of 1

# PC172G (LIMITER).



T L Audio		
COPYRIGHT 2000		
Title		
VP1 LIMITER MODULE		
Size	Document Number	REV
B	CD1172G	3
Date:	May 23, 2001	Sheet 1 of 1



TL Audio	
Copyright 2000	
Title	
VP1 GAIN AND FREQUENCY SWITCHES	
Size	Document Number
B	CD1172H
Date:	May 16, 2001 Sheet 1 of 1
REV	2