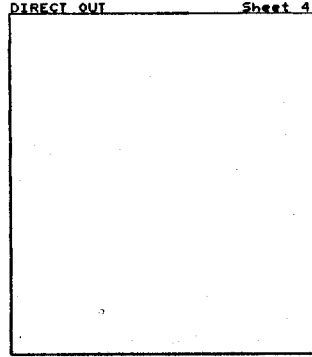
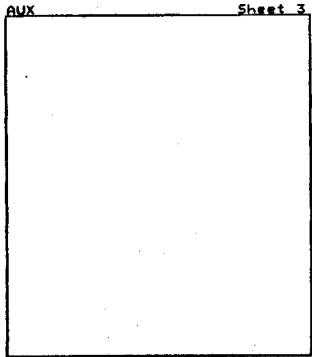
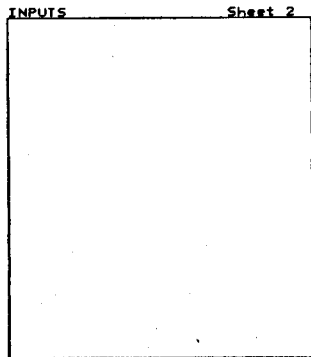


VTC Circuit Diagram List.

| | |
|--------|--------------------------------|
| CD1331 | CHANNEL MODULE INPUT |
| CD1332 | CHANNEL MODULE EQ |
| CD1333 | CHANNEL MODULE FADER |
| CD1350 | CHANNEL MODULE OVERALL |
| CD1334 | CHANNEL VALVES |
| CD1336 | MASTER MIX AMPLIFIERS |
| CD1355 | MASTER BACKPLANE |
| CD1338 | GROUP FADER |
| CD1339 | STEREO FADER |
| CD1344 | METER INTERFACE |
| CD1345 | MASTER VALVES |
| CD1347 | STEREO RETURN |
| CD1348 | STEREO AUX / OSCILLATOR |
| CD1349 | HEADPHONES |
| CD1351 | C/ROOM + STUDIO LOGIC |
| CD1352 | C/ROOM + STUDIO LEVEL CONTROLS |
| CD1353 | CHANNEL METER BRIDGE |
| CD1354 | MASTER METER BRIDGE |
| CD1357 | REGULATORS |
| CD1363 | PSU SOFT START |



NOTES FOR QUALIFIED SERVICE ENGINEERS

The highest voltage existing on this PCB under normal working circumstances is 48V DC.
The highest voltage existing within the mixing console under normal working circumstances is 250V DC.
Power Supply voltages may take several minutes to decay after the unit is switched off.

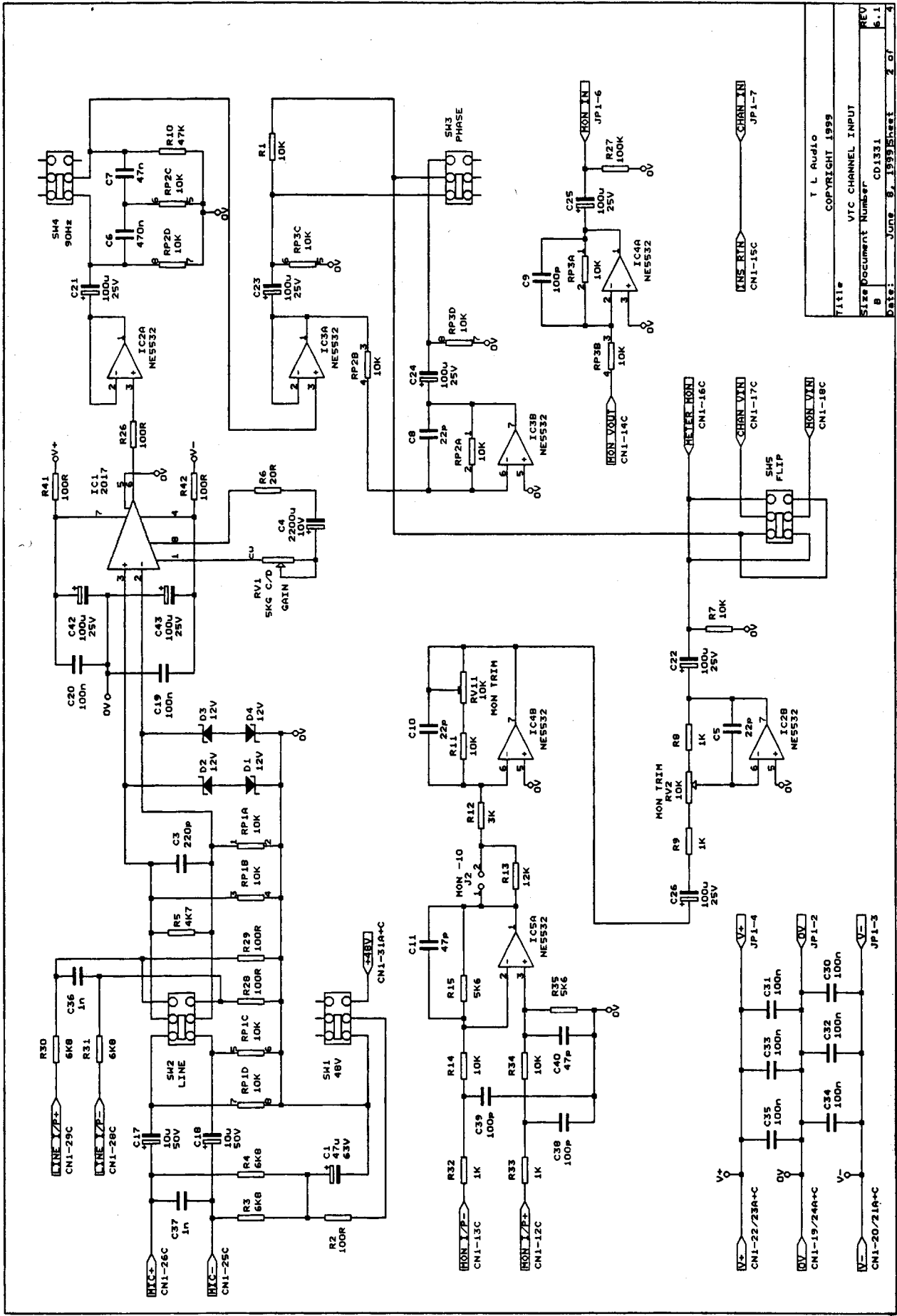
CARE MUST BE TAKEN WHEN FAULT FINDING.

DO NOT handle the PCB while the unit is connected to the Mains Supply.
DO NOT use screws with different type or length than those currently fitted.
DO NOT remove EARTH wires under any circumstances.
REPLACE all covers removed during servicing.
During reassembly DO NOT allow wires to be trapped.

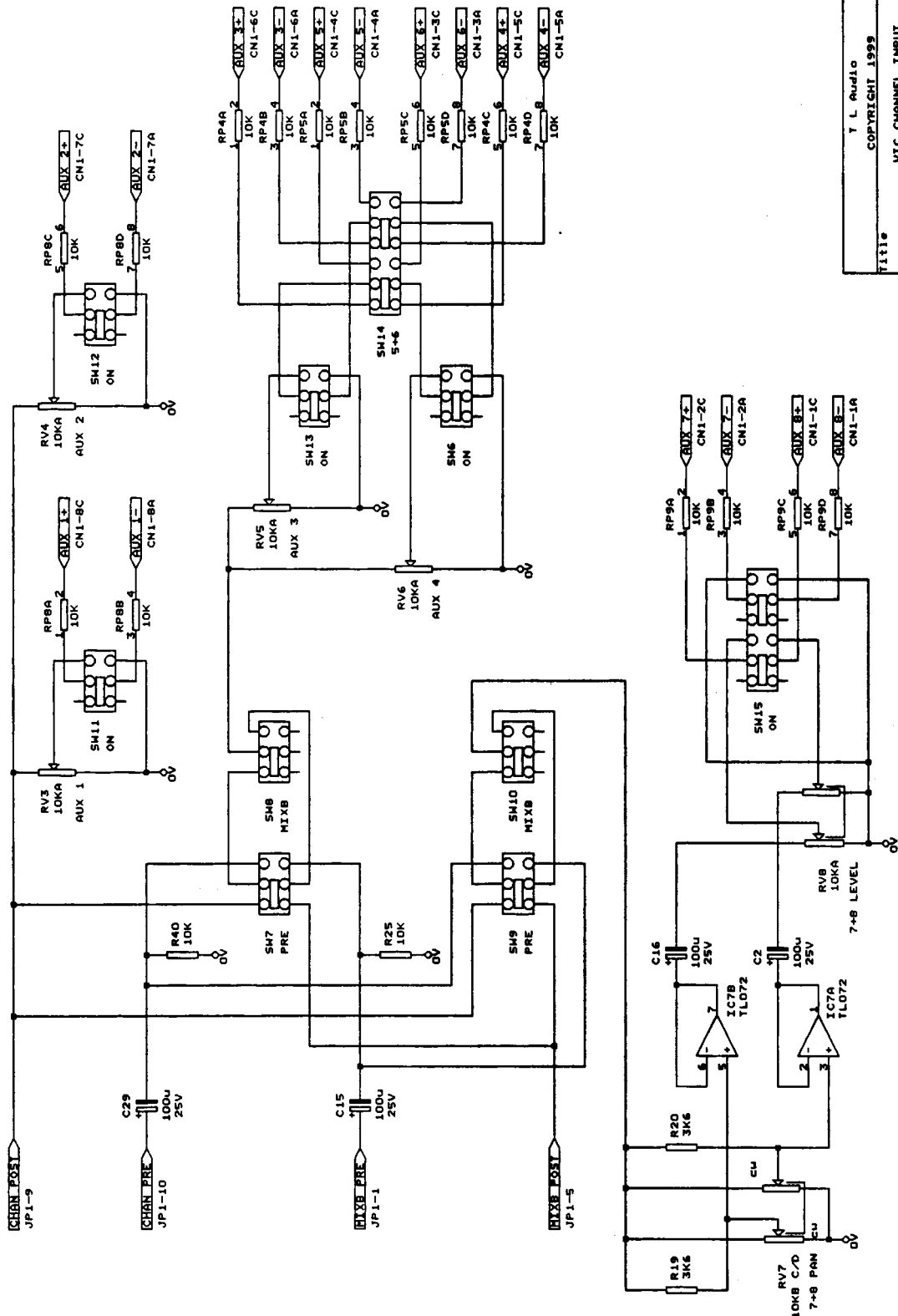
IF IN DOUBT CONSULT SUPPLIER.

ISSUE 6 PCBS

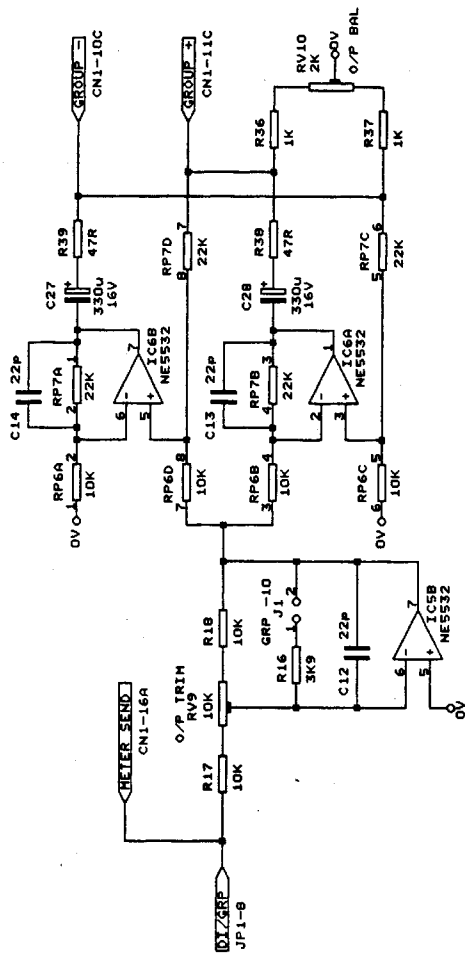
| | | |
|----------------|-------------------|--------------|
| T L Audio | | |
| COPYRIGHT 1999 | | |
| Title | VTC CHANNEL INPUT | |
| Size | Document Number | REV |
| B | CD1331 | 6.1 |
| Date: | June 8, 1999 | Sheet 1 of 4 |



Title: T L Audio
 Copyright: 1999
 VTC Channel Input
 Size: Document Number CD1331
 B
 Date: June 8, 1999
 Rev: 6.1
 Page: 2 of 4

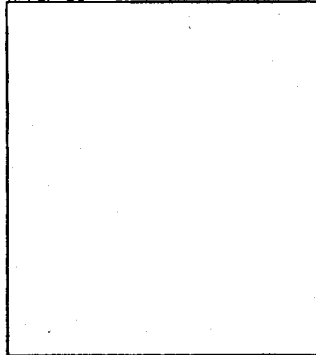


Title: T L Audio
 Copyright: 1999
 VTC CHANNEL INPUT
 Size Document Number: CD1331
 REV: 6.1
 Date: June 9, 1999 Sheet 3 of 4

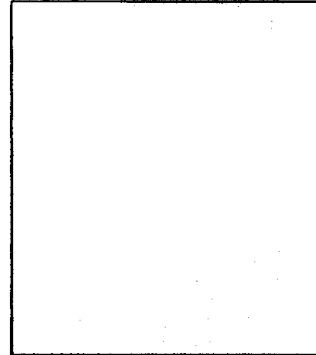


| | |
|-------------------------|----------------------------|
| T L Audio | |
| COPYRIGHT 1999 | |
| TITLE VTC CHANNEL INPUT | |
| Size | Document Number CD1331 |
| B | REV 6.1 |
| Date: | June 18, 1999 Sheet 4 of 4 |

HF/LF EQ



HH/LH EQ



NOTES FOR QUALIFIED SERVICE ENGINEERS

The highest voltage existing on this PCB under normal working circumstances is +/-15V DC.
The highest voltage existing within the mixing console under normal working circumstances is 250V DC.
Power Supply voltages may take several minutes to decay after the unit is switched off.

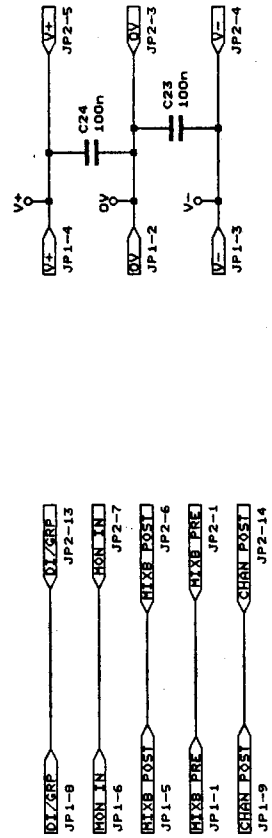
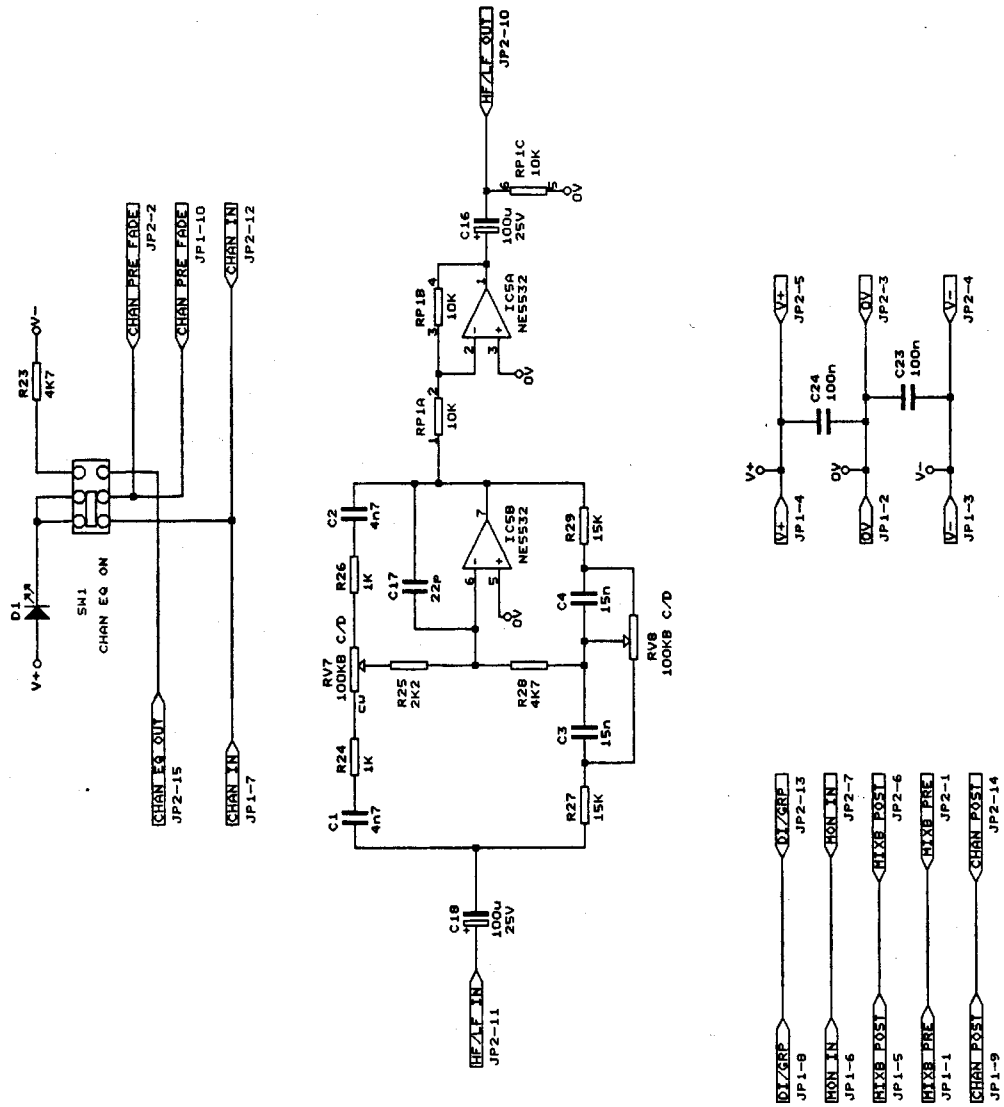
CARE MUST BE TAKEN WHEN FAULT FINDING.

DO NOT handle the PCB while the unit is connected to the Mains Supply.
DO NOT use screws with different type or length than those currently fitted.
DO NOT remove EARTH wires under any circumstances.
REPLACE all covers removed during servicing.
During reassembly DO NOT allow wires to be trapped.

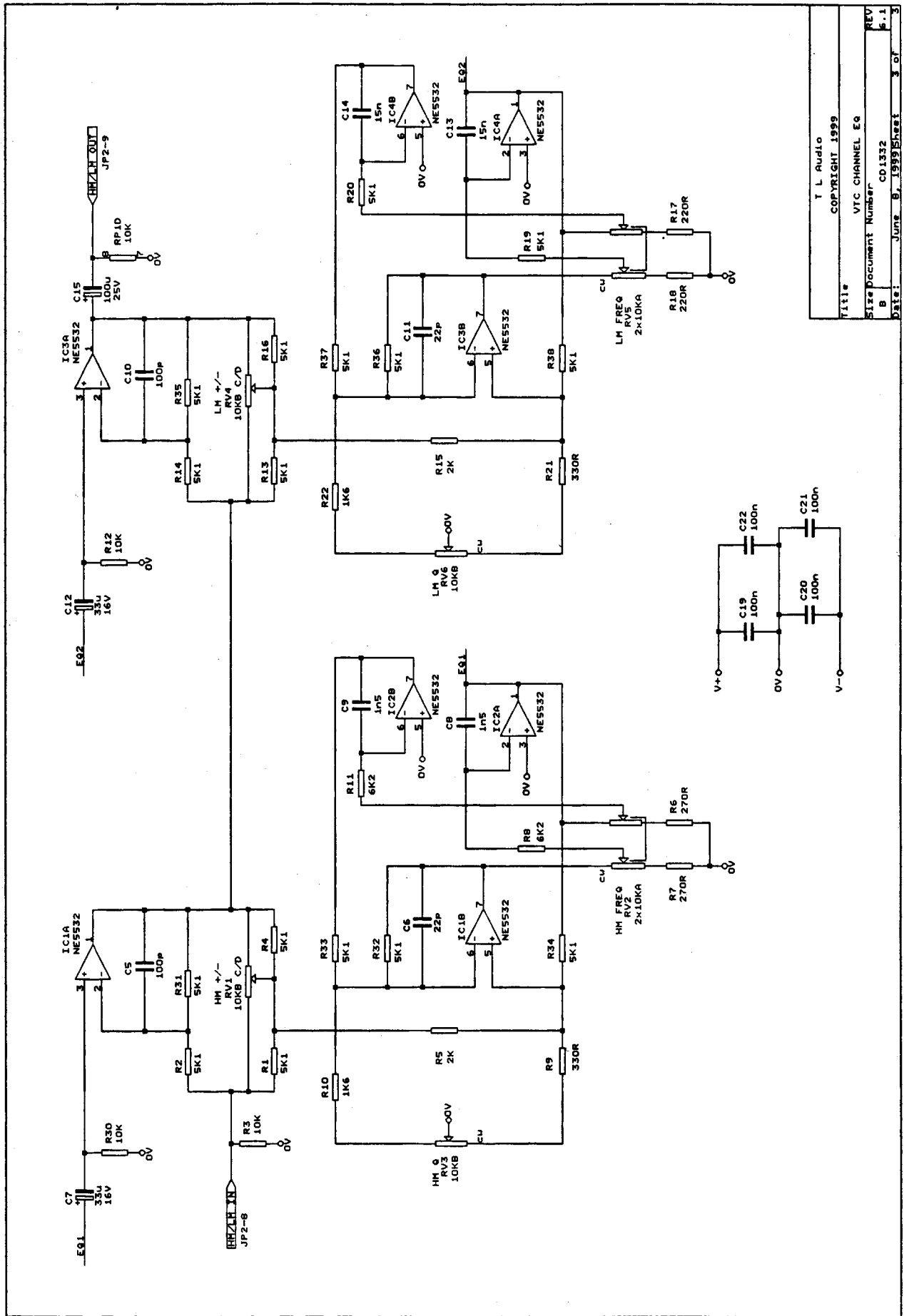
IF IN DOUBT CONSULT SUPPLIER.

ISSUE 6 PCBs

| | |
|----------------|-----------------|
| T L Audio | |
| COPYRIGHT 1999 | |
| Title | |
| VTC CHANNEL EQ | |
| Size | Document Number |
| B | CD1332 |
| Date: | June 8, 1995 |
| Sheet | 1 of 3 |
| REV | 6.1 |

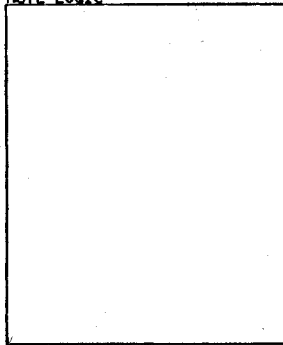


| | |
|----------------------|---------------------------|
| T L Audio | |
| COPYRIGHT 1999 | |
| Title VTC CHANNEL EQ | |
| Size | Document Number CD1332 |
| REV | 6.1 |
| Date | June 8, 1999 Sheet 2 of 3 |

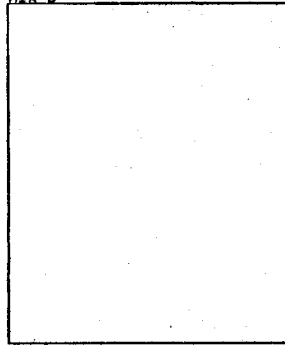


T L Audio
 COPYRIGHT 1999
 Title VTC CHANNEL EQ
 Size Document Number CD1332
 B 6.1 REV
 Date: June 8, 1999 Sheet 3 of 3

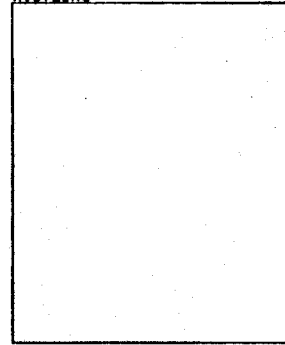
MUTE LOGIC



MIX B



ROUTING



NOTES FOR QUALIFIED SERVICE ENGINEERS

The highest voltage existing on this PCB under normal working circumstances is 48V DC.
The highest voltage existing within the mixing console under normal working circumstances is 250V DC.
Power Supply voltages may take several minutes to decay after the unit is switched off.

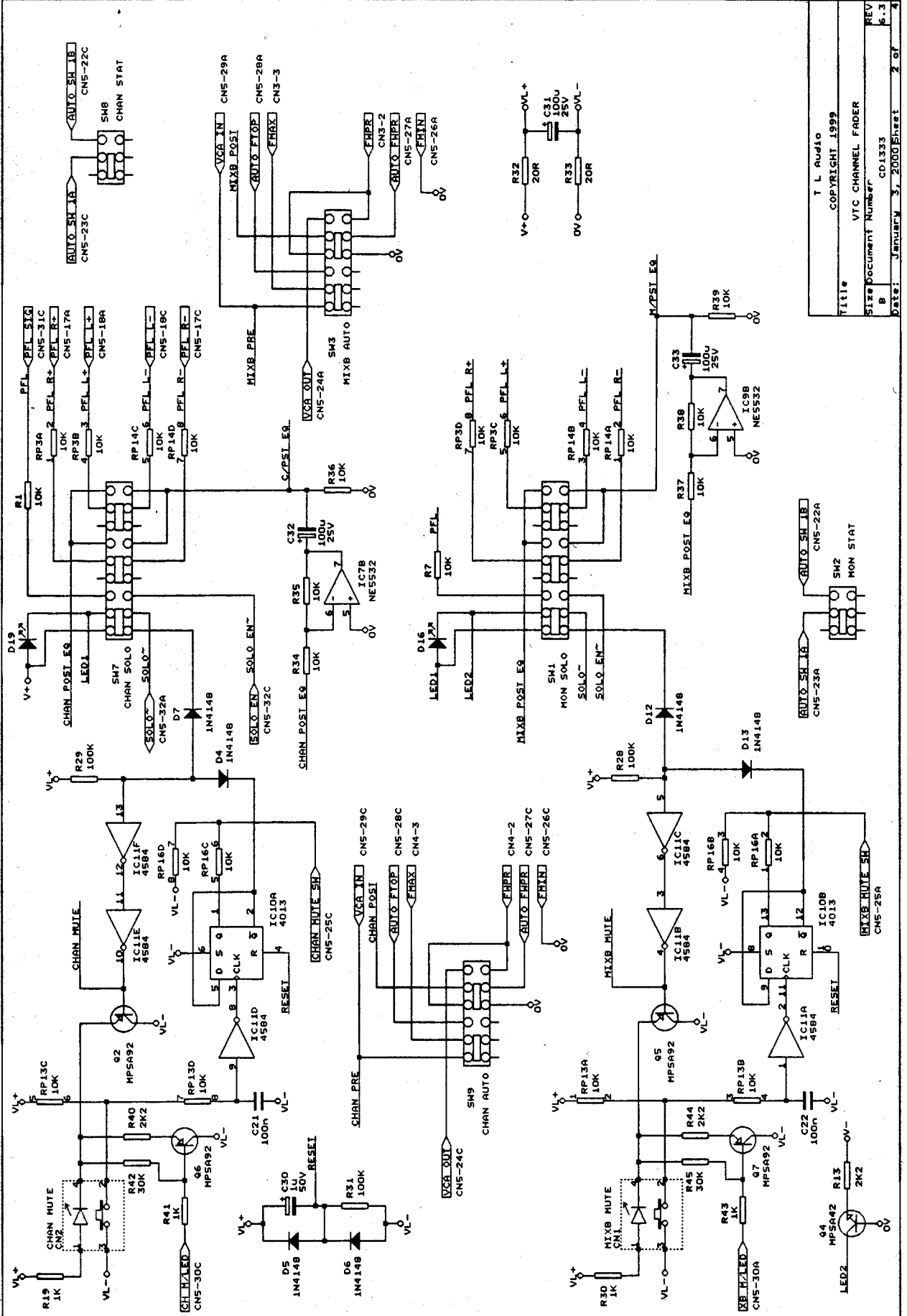
CARE MUST BE TAKEN WHEN FAULT FINDING.

- DO NOT handle the PCB while the unit is connected to the Mains Supply.
- DO NOT use screws with different type or length than those currently fitted.
- DO NOT remove EARTH wires under any circumstances.
- REPLACE all covers removed during servicing.
- During reassembly DO NOT allow wires to be trapped.

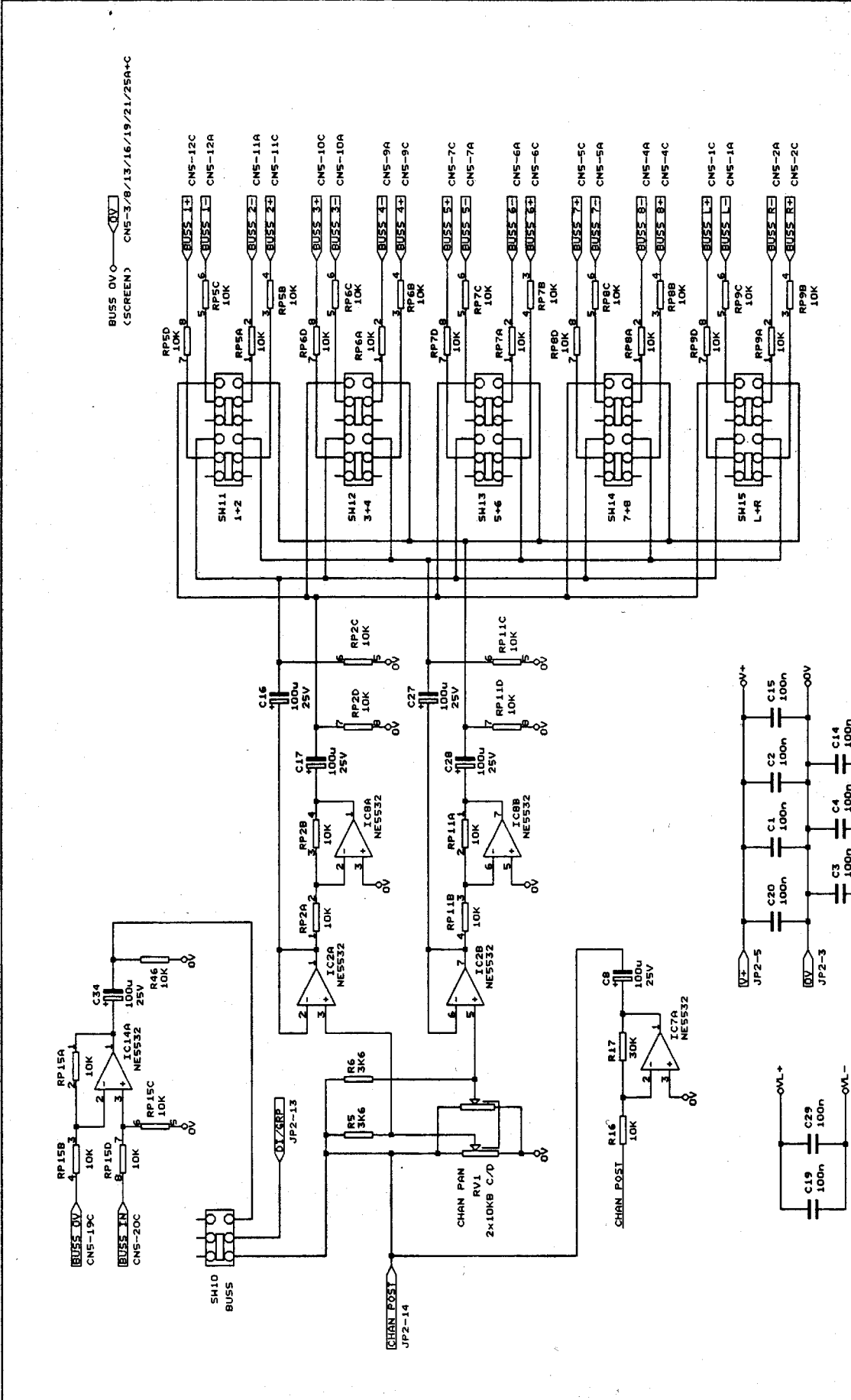
IF IN DOUBT CONSULT SUPPLIER.

ISSUE 6 PCBs

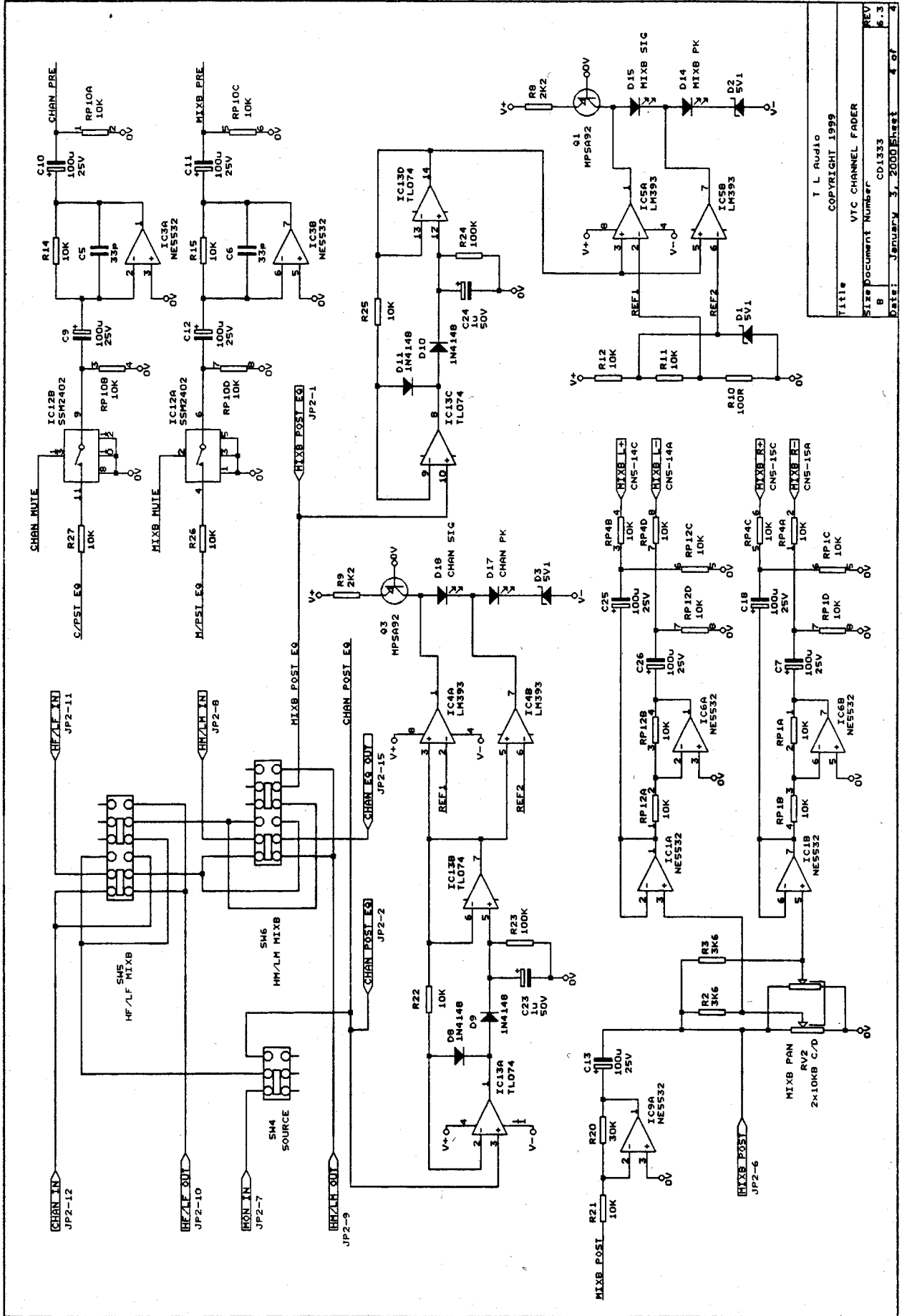
| | | |
|-------------------------|-----------------|--------------|
| T L Audio | | REV |
| COPYRIGHT 1999 | | |
| Title VTC CHANNEL FADER | | |
| Size | Document Number | REV |
| B | CD1333 | 6.3 |
| Date: | January 3, 2000 | Sheet 1 of 4 |



T L Audio
 COPYRIGHT 1999
 Title VTC CHANNEL FADER
 Size Document Number CD1333
 REV 6.3
 Date: January 3, 2000 Sheet 2 of 4

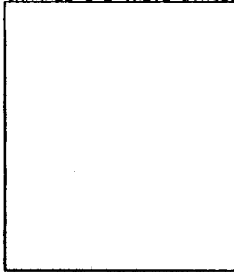


T L Audio
 COPYRIGHT 1999
 Title VTC CHANNEL FADER
 Size Document Number CD1333
 Date: January 3, 2000 Sheet 3 of 4

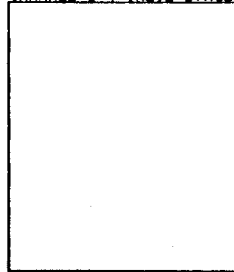


TITLE
 T L Audio
 COPYRIGHT 1999
 VTC CHANNEL FADER
 Size Document Number: CD1333
 B
 Date: January 3, 2000 Ehest 4 of 4

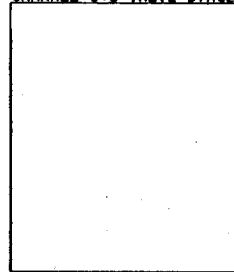
CHANNEL 1+2 VALVE STAGES



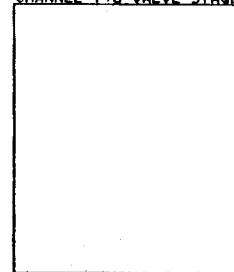
CHANNEL 3+4 VALVE STAGES



CHANNEL 5+6 VALVE STAGES



CHANNEL 7+8 VALVE STAGES



NOTES FOR QUALIFIED SERVICE ENGINEERS

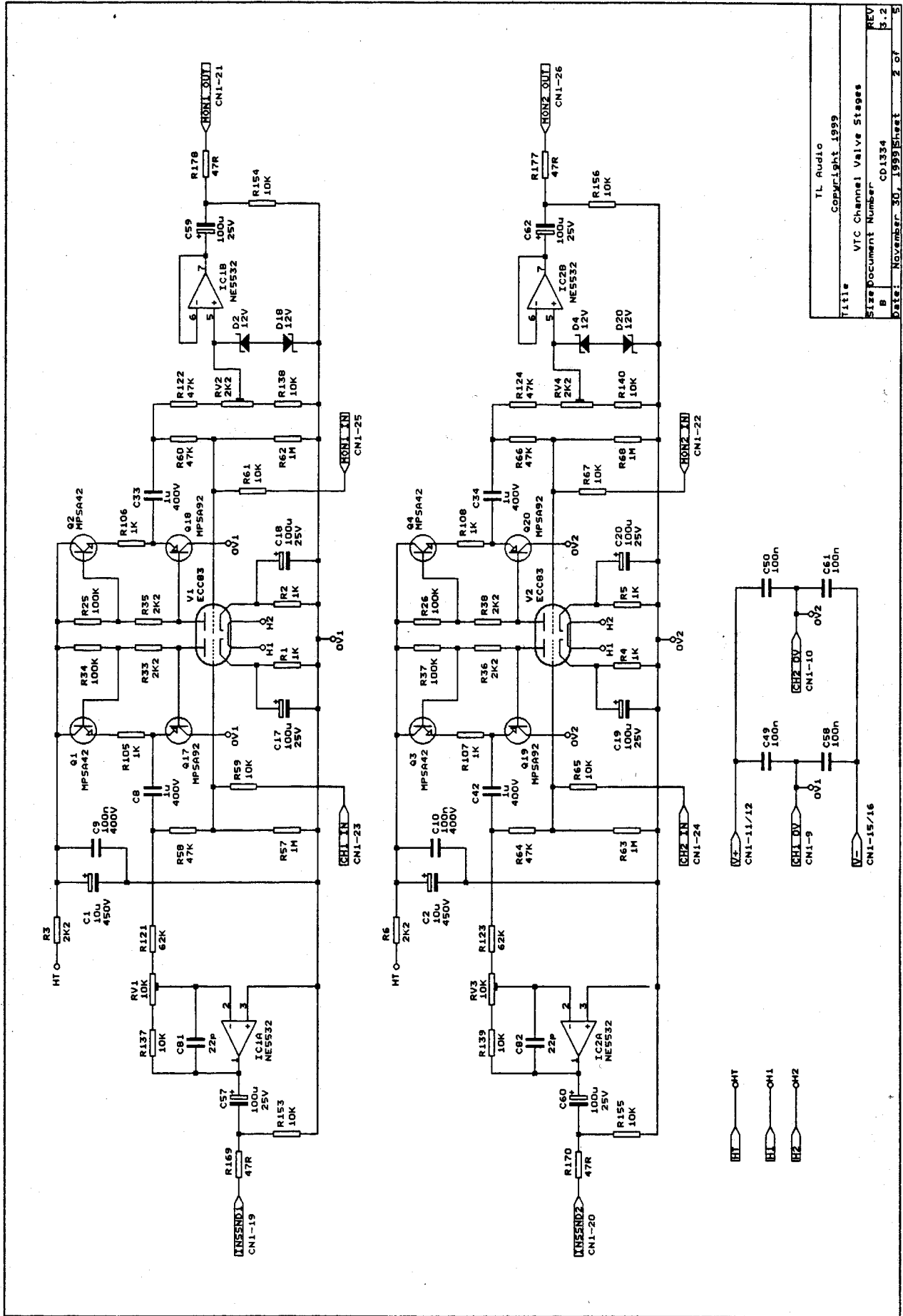
The highest voltage existing on this PCB under normal working circumstances is 160V DC.
The highest voltage existing within the mixing console under normal working circumstances is 250V DC.
Power Supply voltages may take several minutes to decay after the unit is switched off.

CARE MUST BE TAKEN WHEN FAULT FINDING.

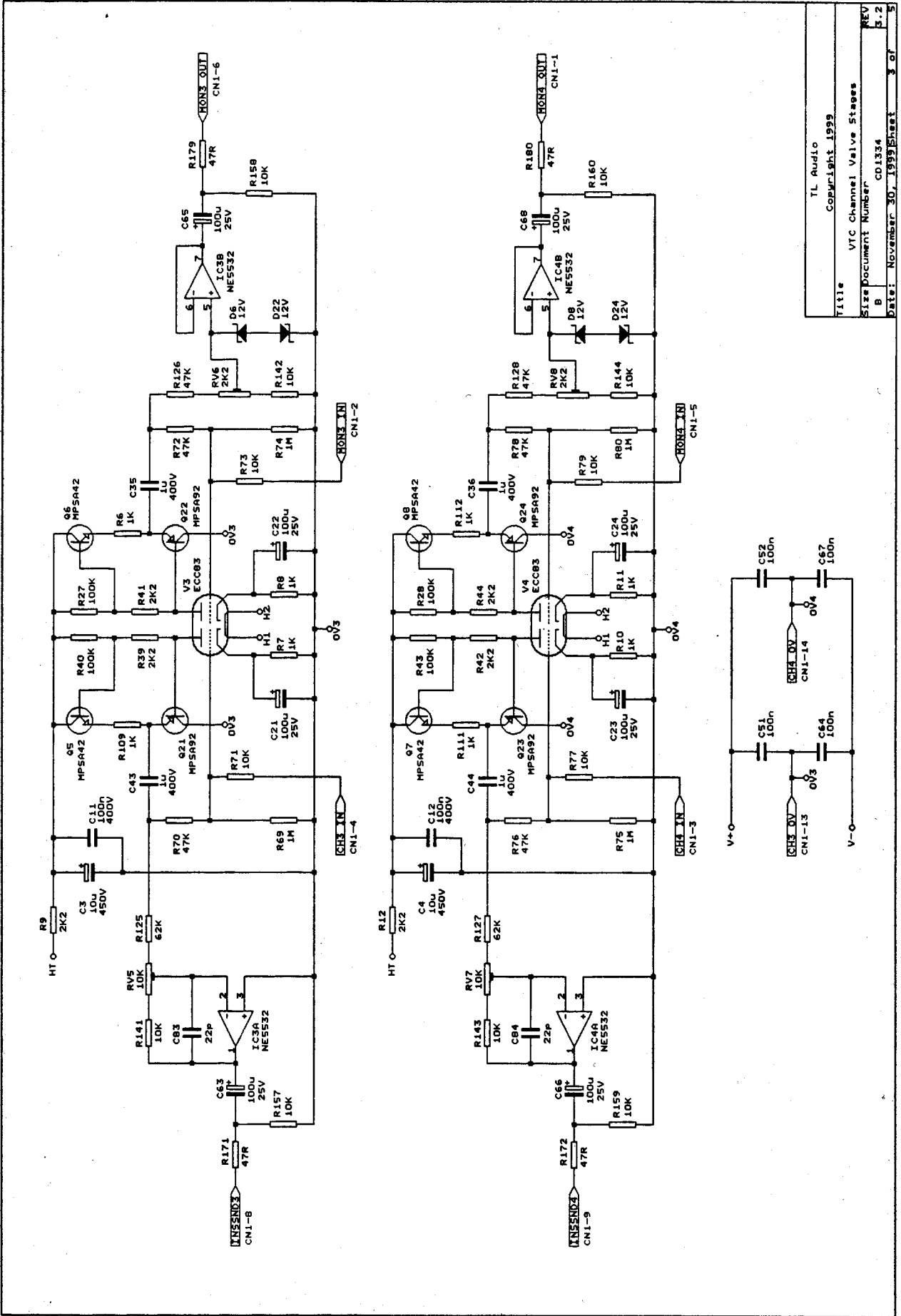
DO NOT handle the PCB while the unit is connected to the Mains Supply.
DO NOT use screws with different type or length than those currently fitted.
DO NOT remove EARTH wires under any circumstances.
REPLACE all covers removed during servicing.
During reassembly DO NOT allow wires to be trapped.

IF IN DOUBT CONSULT SUPPLIER.

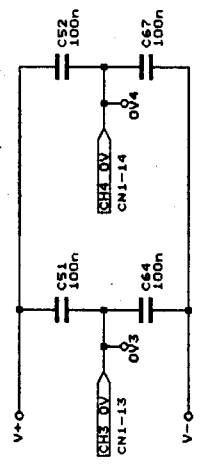
| | |
|--------------------------------|--------------|
| TL Audio | |
| COPYRIGHT 1999 | |
| Title VTC CHANNEL VALVE STAGES | |
| Size Document Number | REV |
| B CD1334 | 3.2 |
| Date: November 30, 1999 | Sheet 1 of 5 |

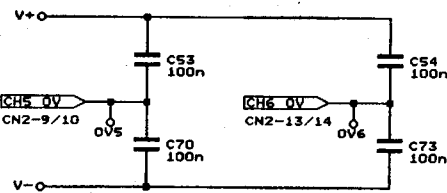
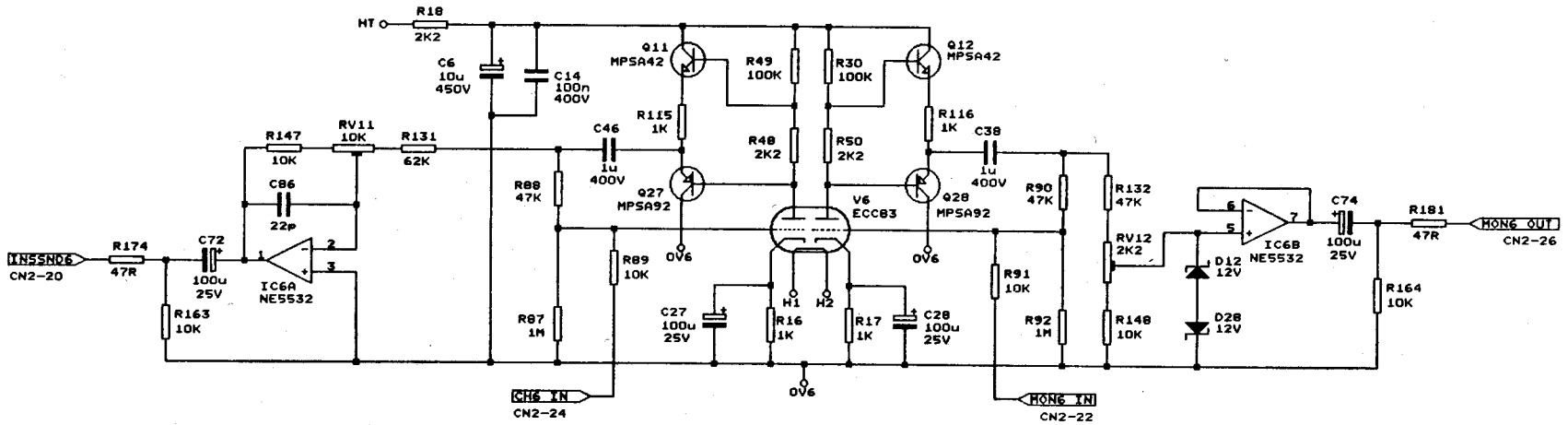
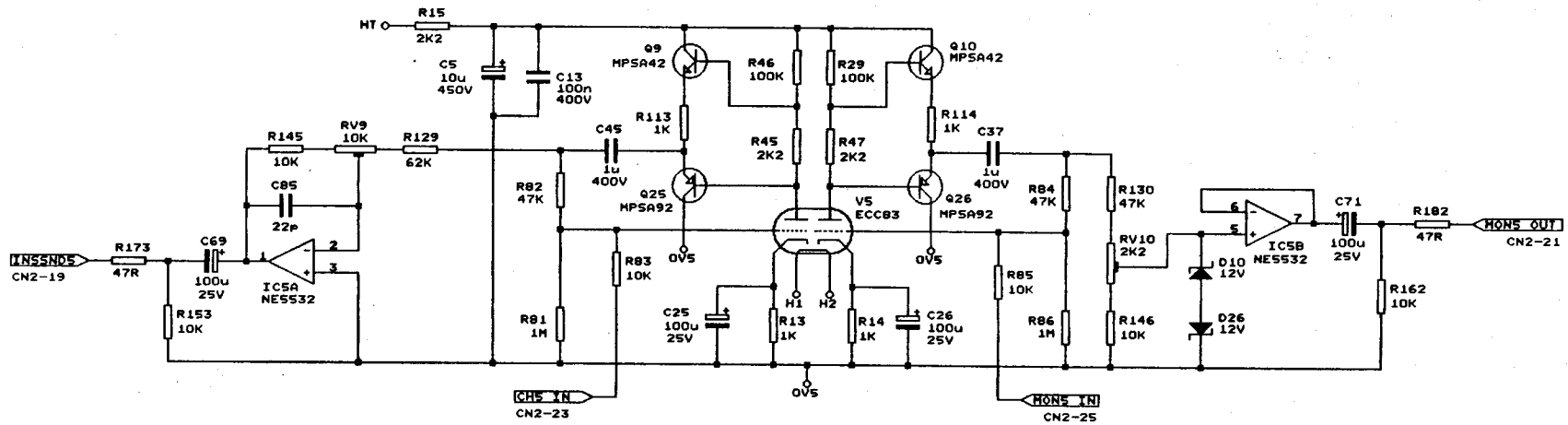


TL Audio
 Copyright 1999
 Title VTC Channel Valve Stages
 Size Document Number CD1334
 REV 3.2
 Date November 30, 1999 Sheet 2 of 5

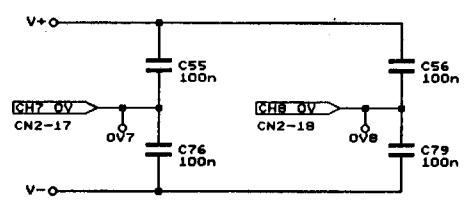
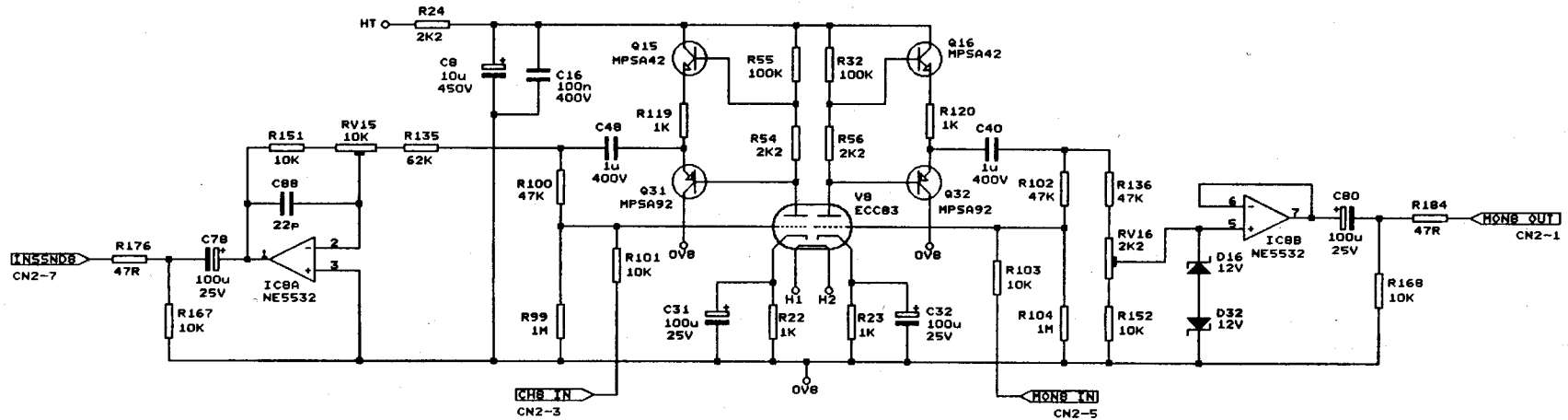
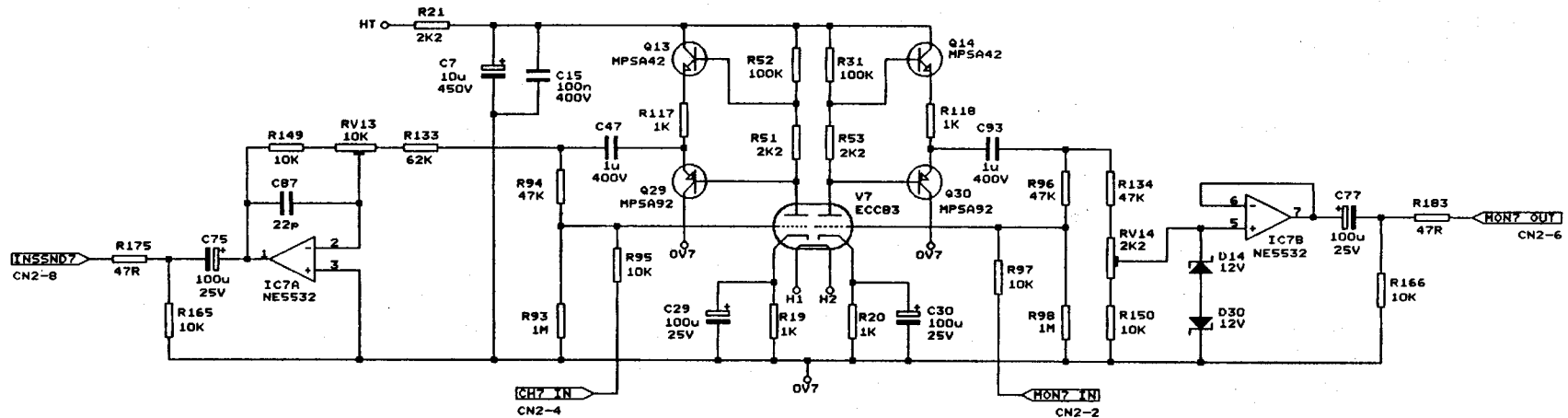


TL Audio
 Copyright 1999
 Title VTC Channel Valve Stages
 Size Document Number CD1334
 B
 Date: November 30, 1999 Sheet 3 of 5



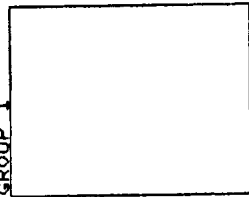


| | | |
|-----------------------------------|-------------------|--------------|
| TL Audio Copyright 1999 | | |
| Title VTC Channel Valve Stages | | |
| Size | Document Number | REV |
| B | CD1334 | 3.2 |
| Date: | November 30, 1999 | Sheet 4 of 5 |

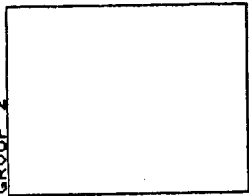


| | |
|--------------------------------|-----------------|
| TL Audio | |
| Copyright 1999 | |
| Title VTC Channel Valve Stages | |
| Size | Document Number |
| B | CD1334 |
| Date: November 30, 1999 | Sheet 5 of 5 |
| | REV 3.2 |

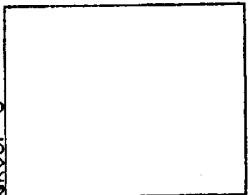
GROUP 1



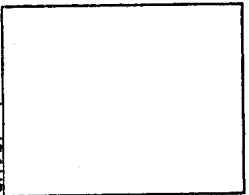
GROUP 2



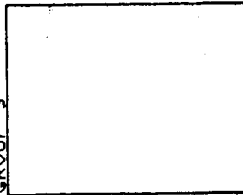
GROUP 3



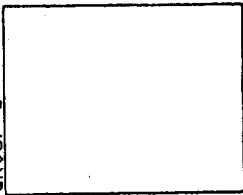
GROUP 4



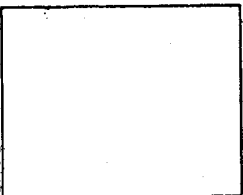
GROUP 5



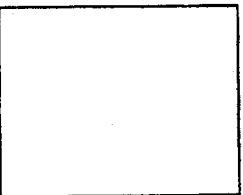
GROUP 6



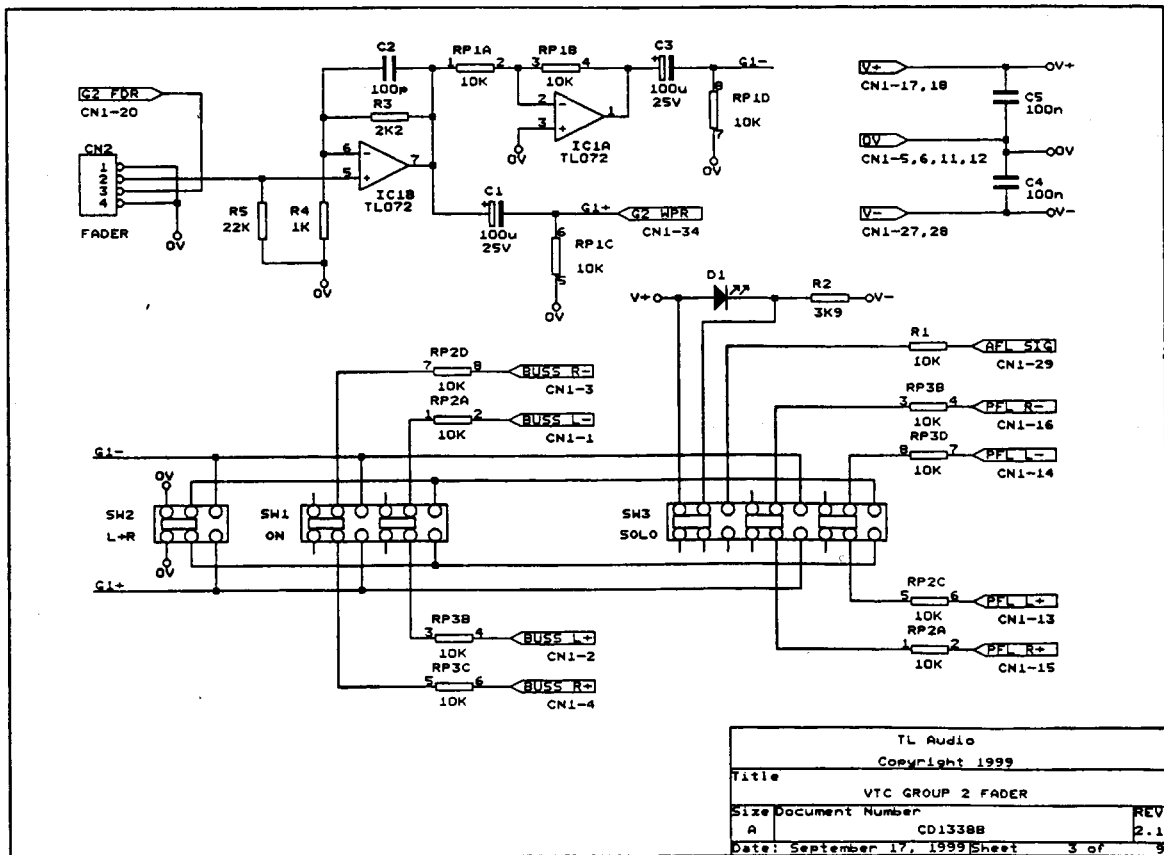
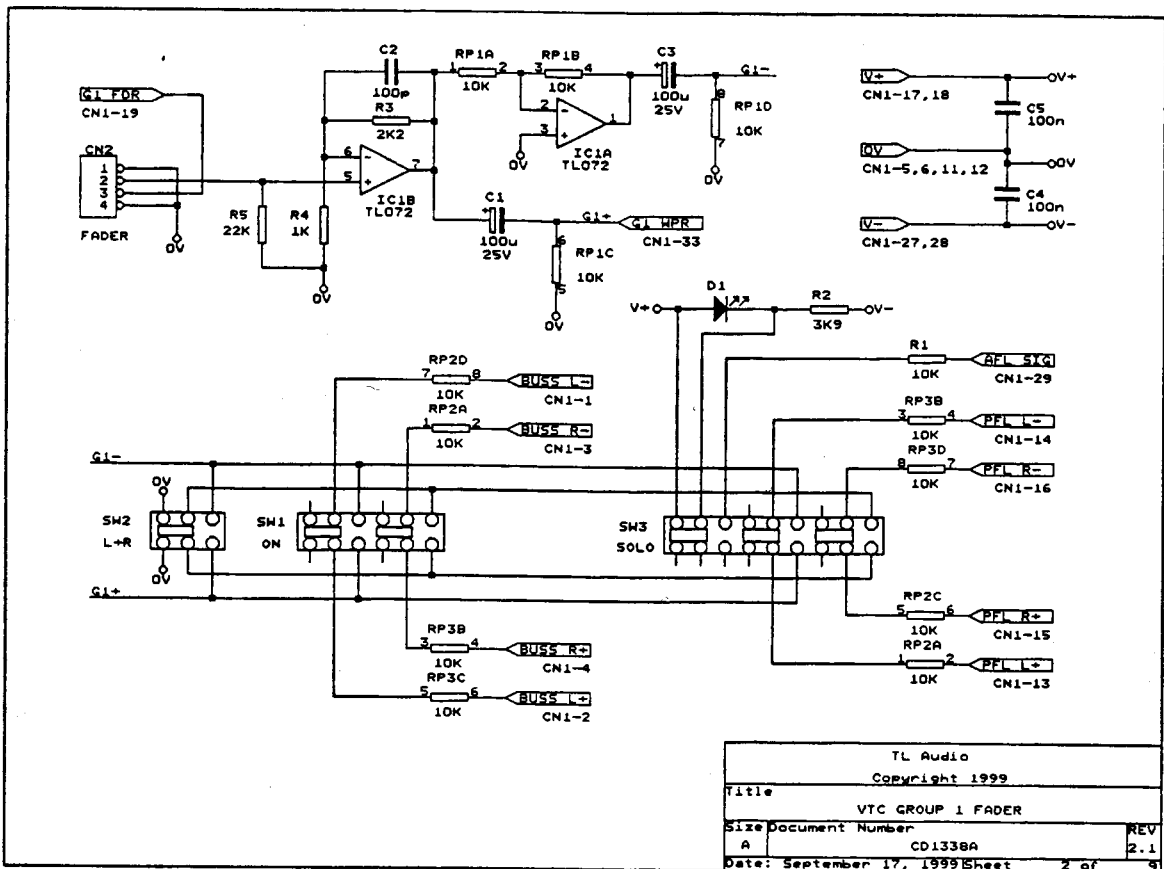
GROUP 7

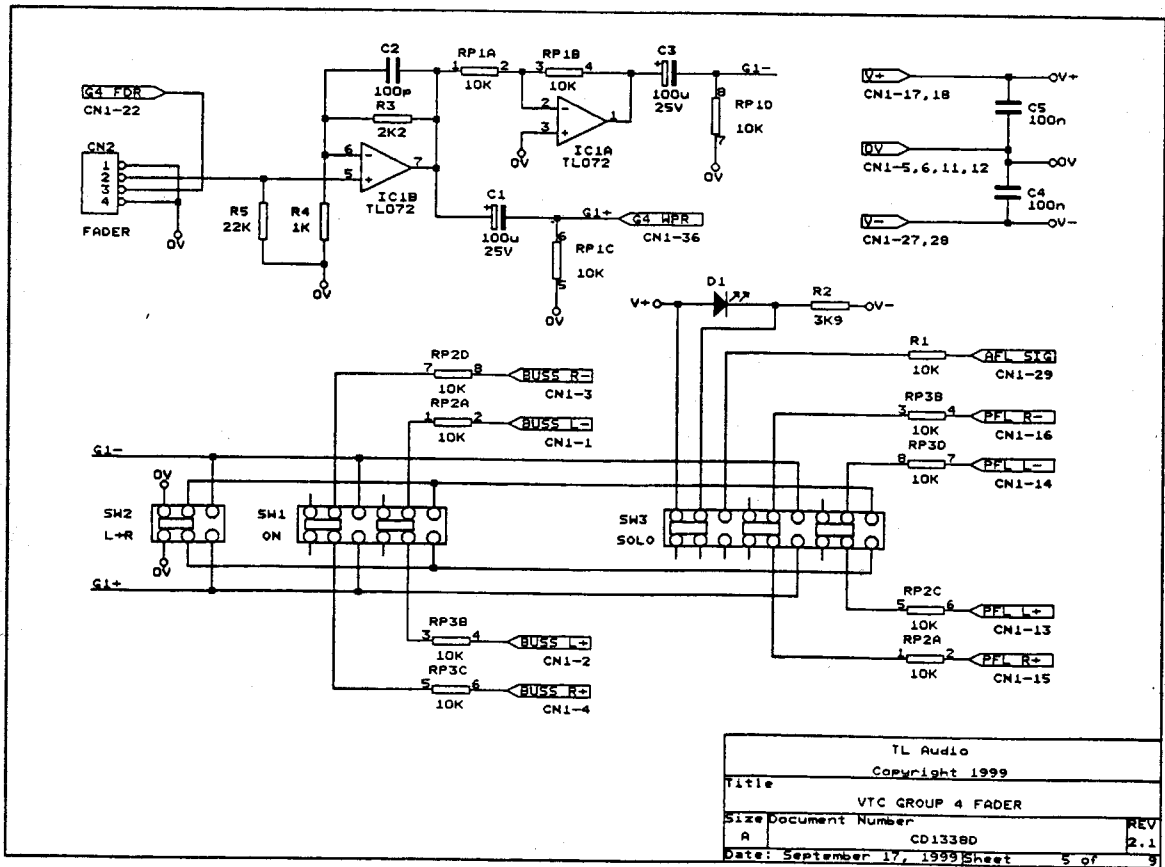
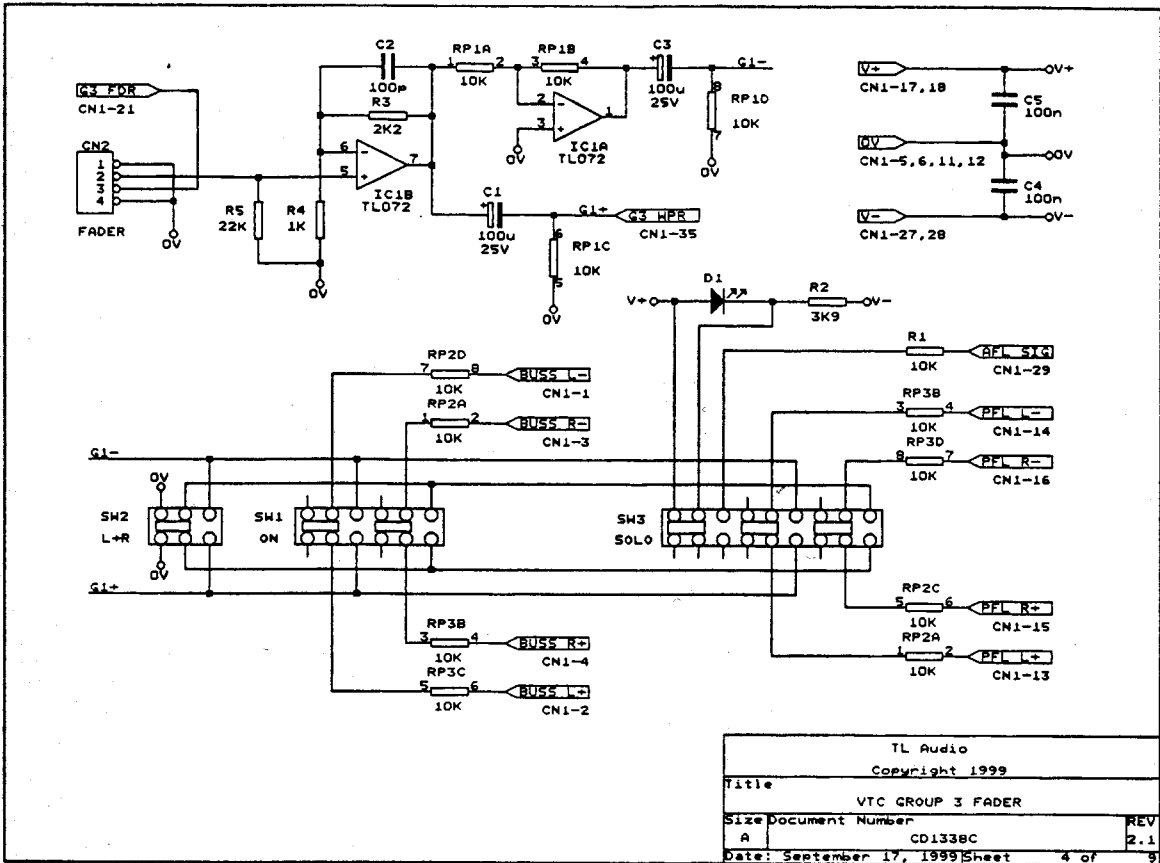


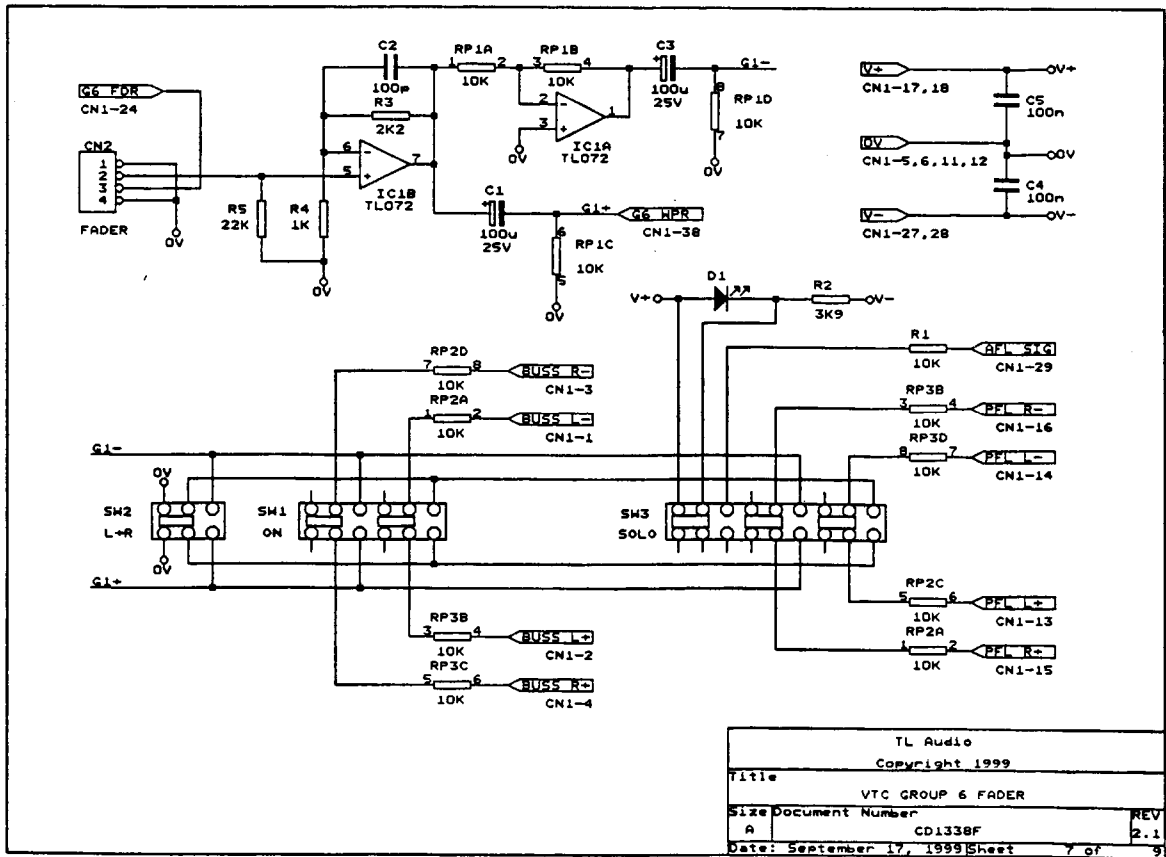
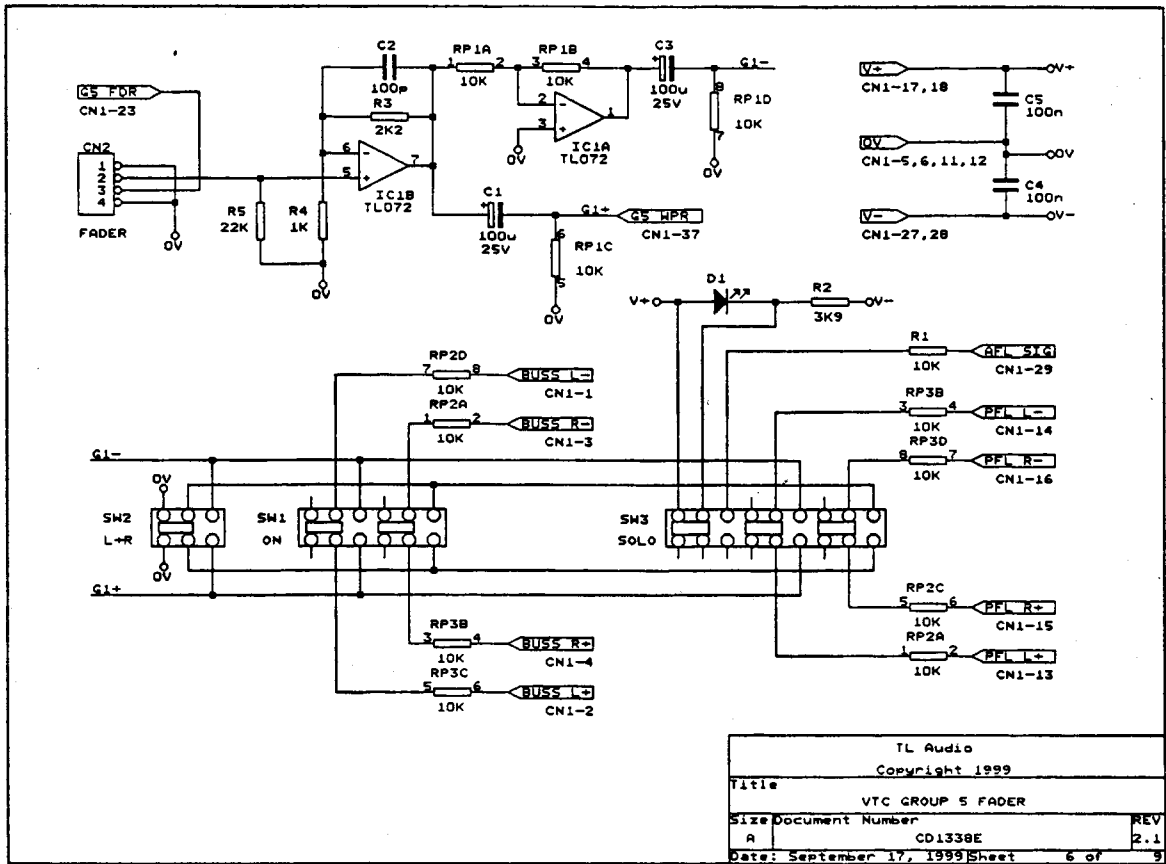
GROUP 8

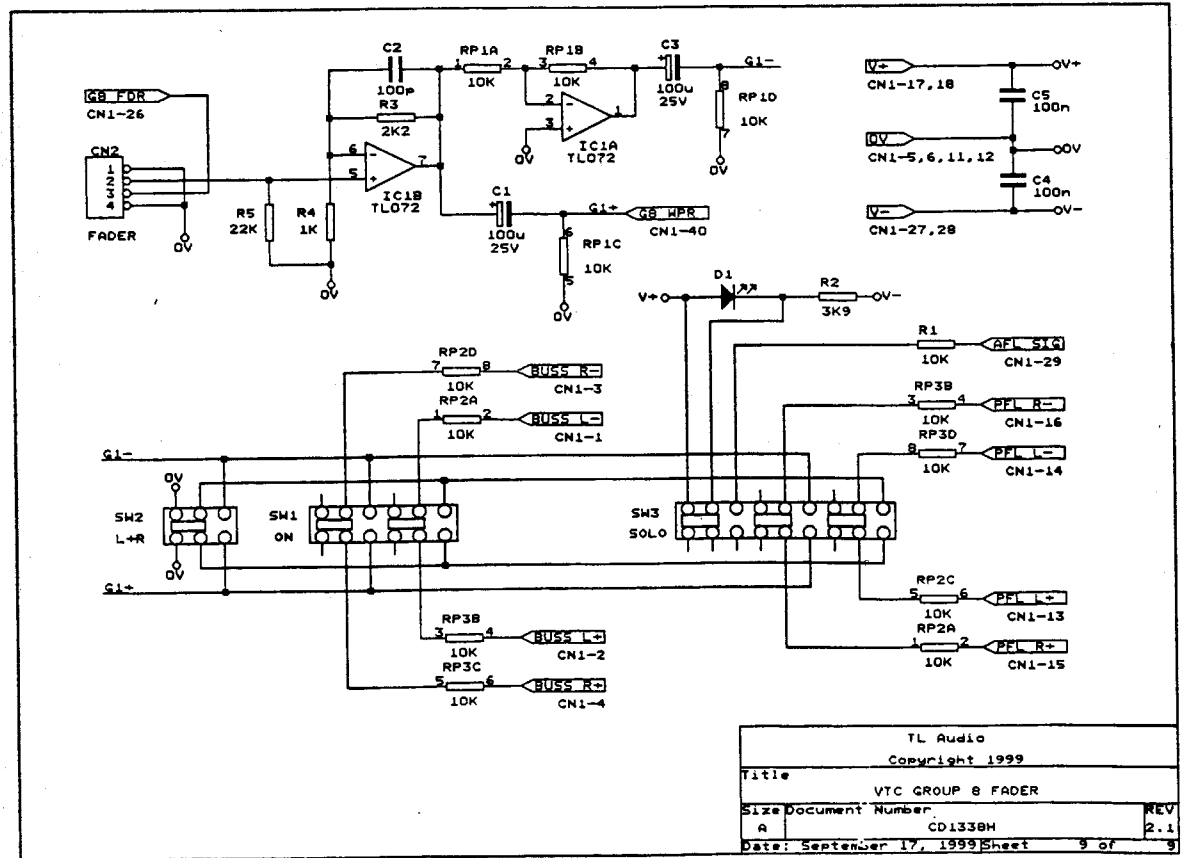
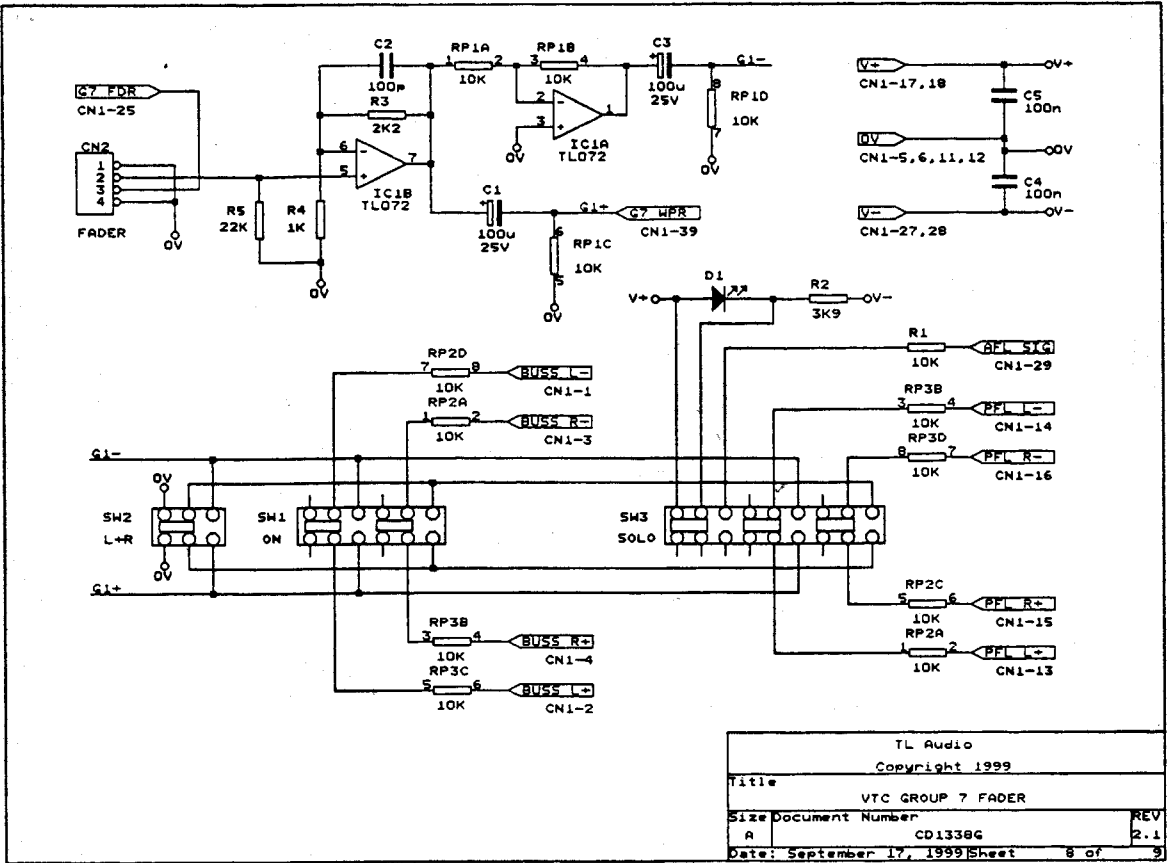


| | |
|--------------------------|--------|
| TL Audio | |
| Copyright 1999 | |
| Title | |
| VTC GROUP FADERS | |
| Size | REV |
| Document Number | 2.1 |
| A | CD1338 |
| Date: September 17, 1999 | |
| Sheet 1 of 9 | |

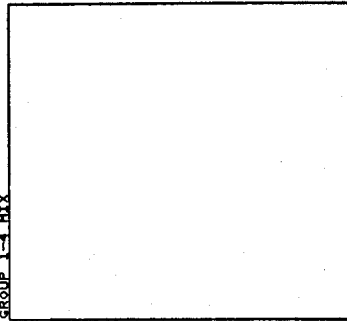




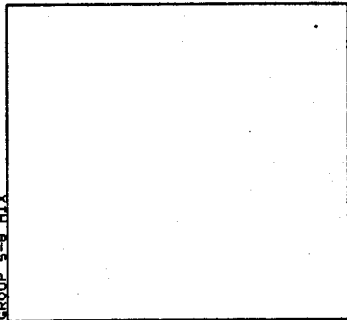




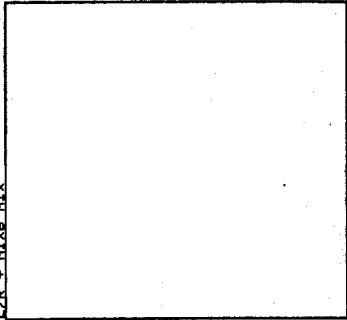
GROUP 1-4 MIX



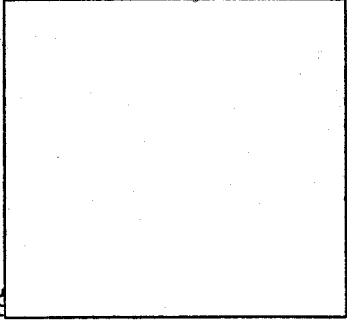
GROUP 5-9 MIX



L/R + MIXB MIX



PFL



NOTES FOR QUALIFIED SERVICE ENGINEERS

The highest voltage existing on this PCB under normal working circumstances is +/-15V DC.
The highest voltage existing within the mixing console under normal working circumstances is 250V DC.
Power Supply voltages may take several minutes to decay after the unit is switched off.

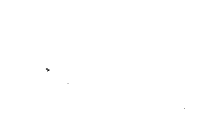
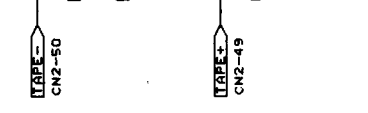
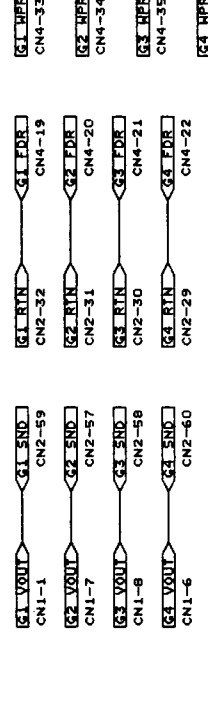
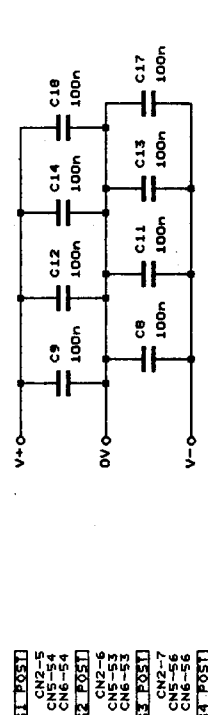
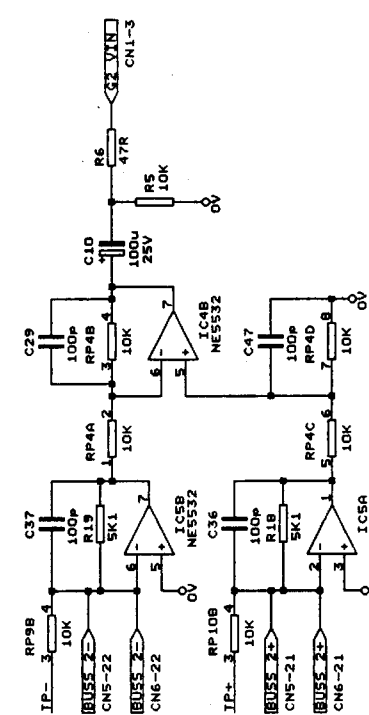
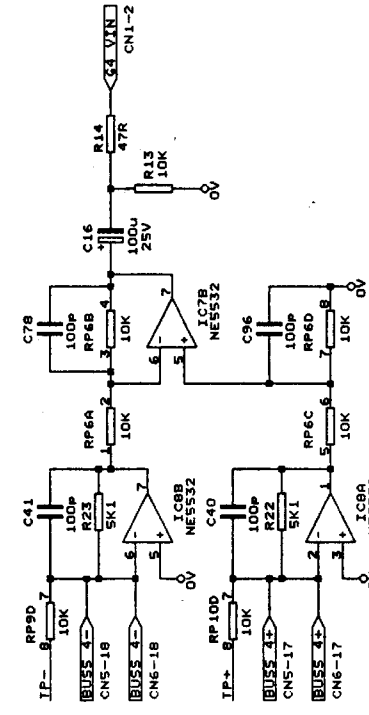
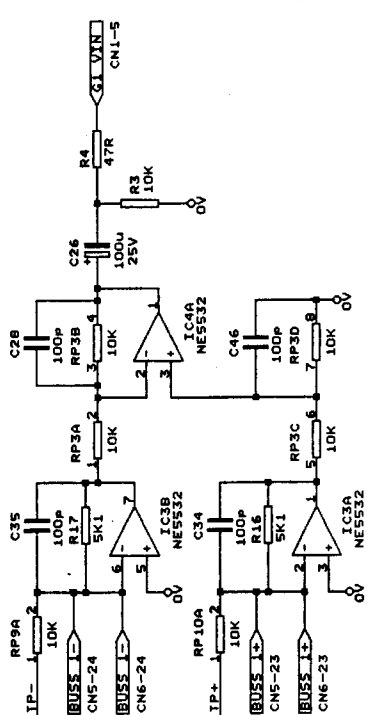
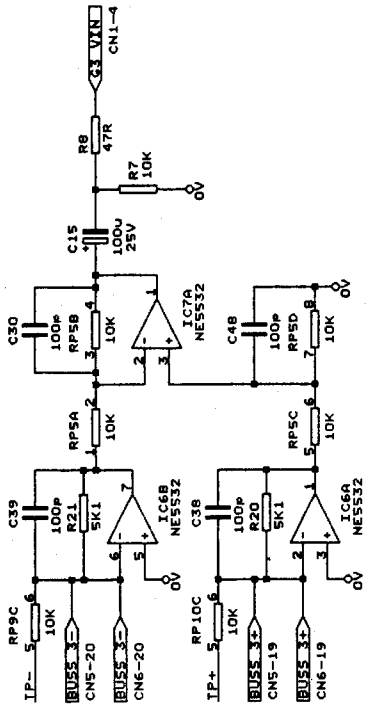
CARE MUST BE TAKEN WHEN FAULT FINDING.

- DO NOT handle the PCB while the unit is connected to the Mains Supply.
- DO NOT use screws with different type or length than those currently fitted.
- DO NOT remove EARTH wires under any circumstances.
- REPLACE all covers removed during servicing.
- During reassembly DO NOT allow wires to be trapped.

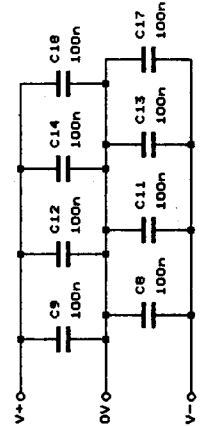
IF IN DOUBT CONSULT SUPPLIER.

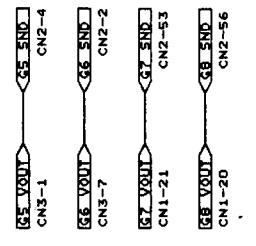
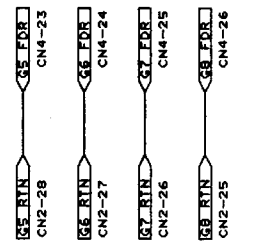
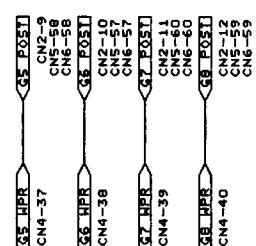
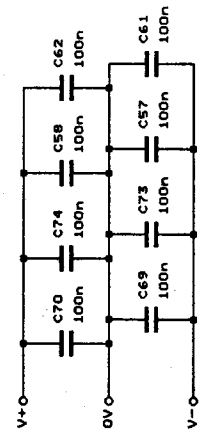
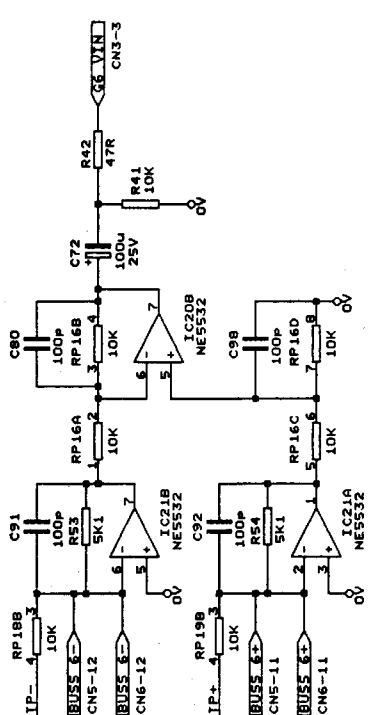
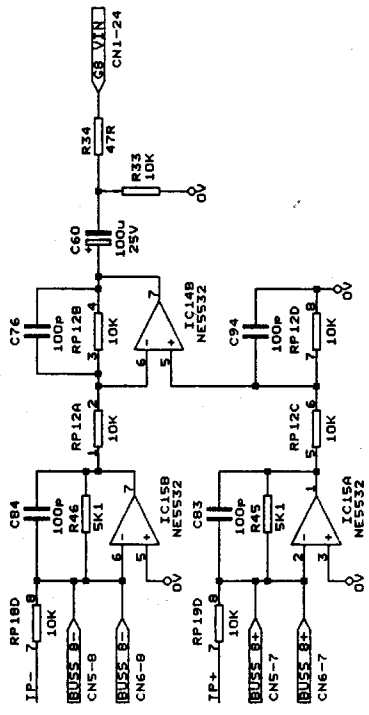
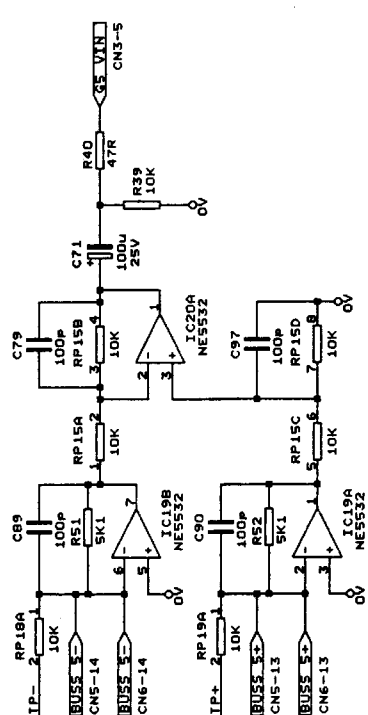
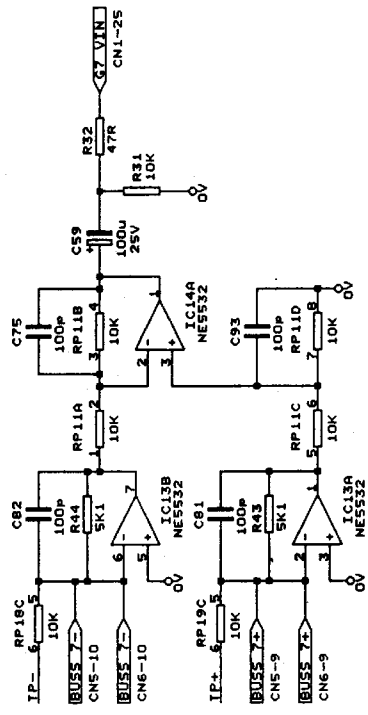
TL Audio
Copyright 1999

| | | |
|-------------------------|-----|--------------|
| Title | | VTC MASTER |
| Size Document Number | | CD1336 |
| B | REV | 4.1 |
| Date: February 10, 1999 | | Sheet 1 of 5 |

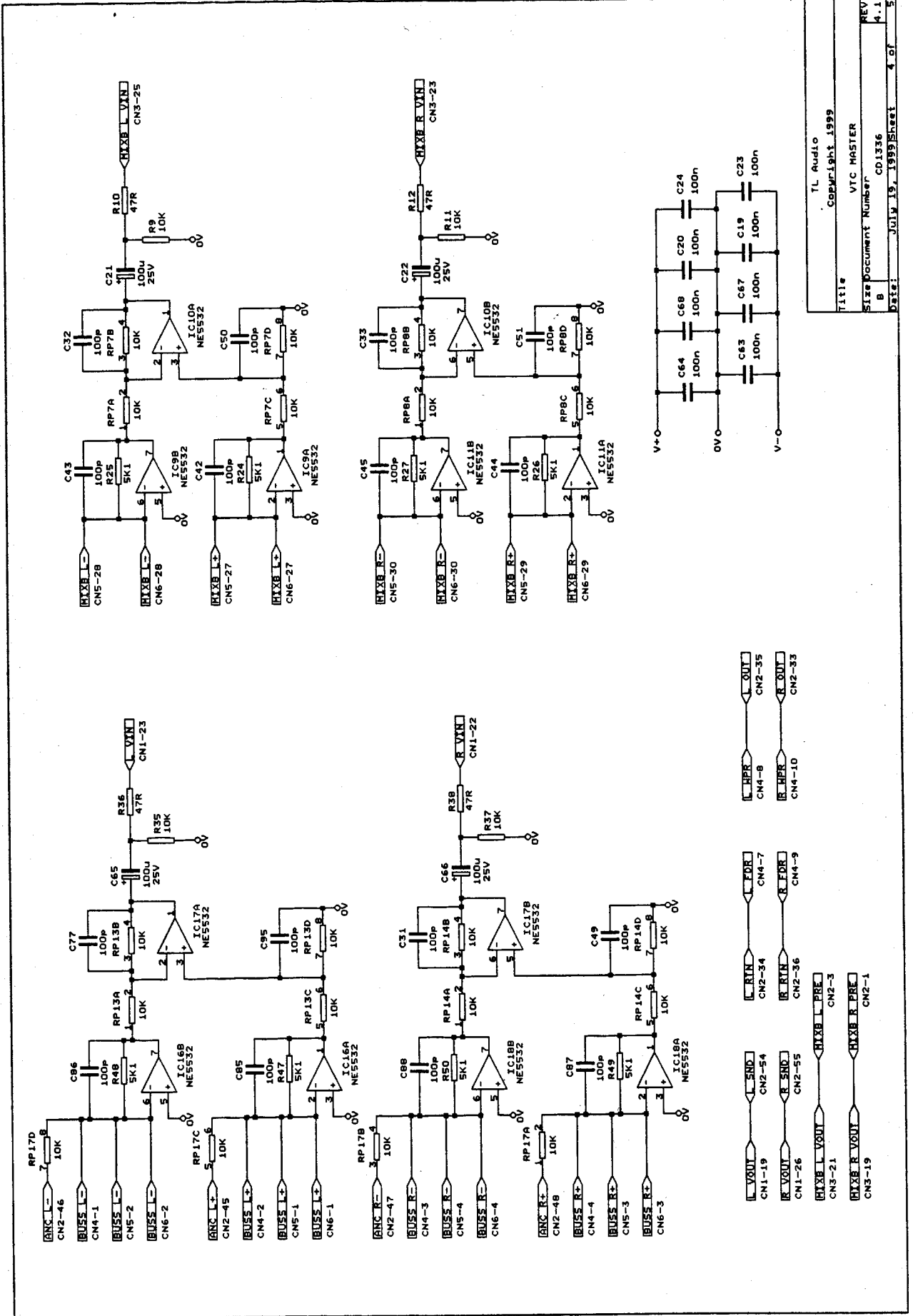


- G1 WFR CN4-33
- G1 WFR CN4-34
- G1 WFR CN4-35
- G1 WFR CN4-36
- G1 RIN CN2-32
- G2 RIN CN2-31
- G3 RIN CN2-30
- G4 RIN CN2-29
- G1 SND CN2-59
- G2 SND CN2-57
- G3 SND CN2-58
- G4 SND CN2-60
- G1 FDR CN4-19
- G2 FDR CN4-20
- G3 FDR CN4-21
- G4 FDR CN4-22

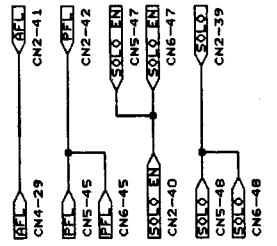
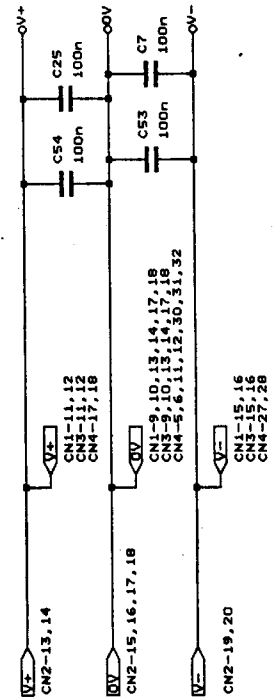
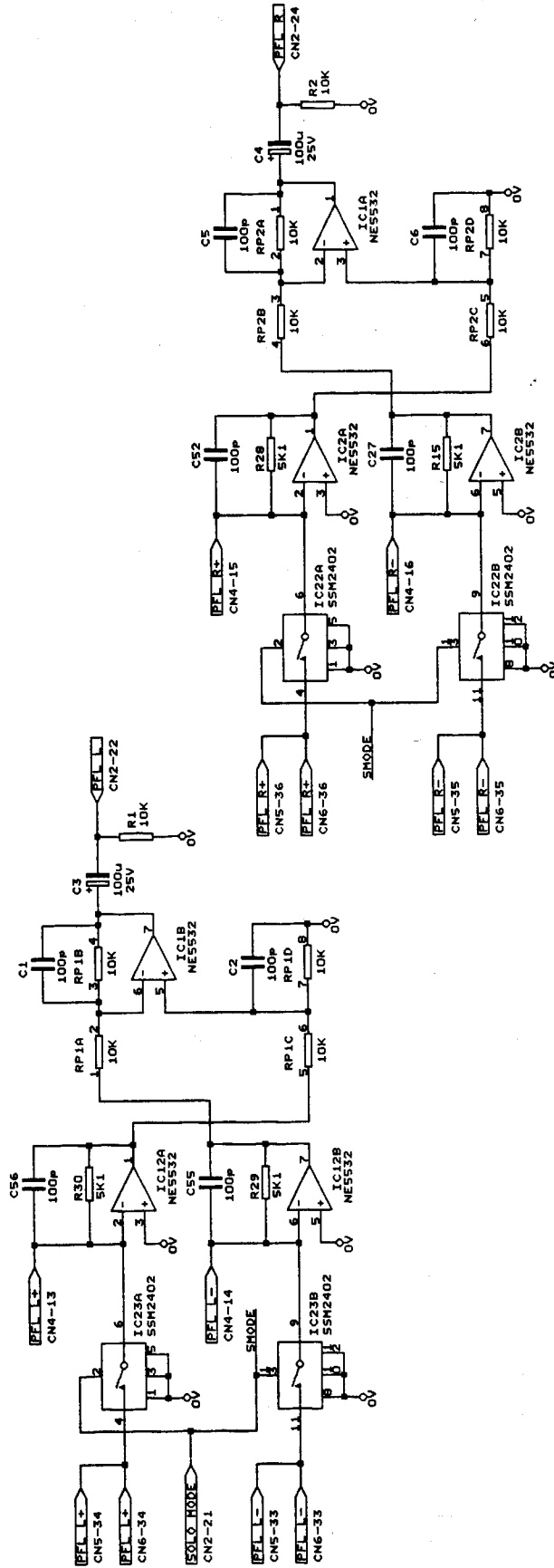




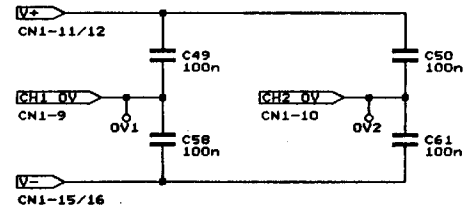
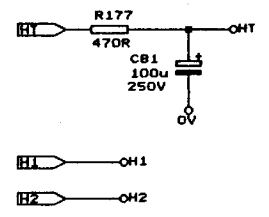
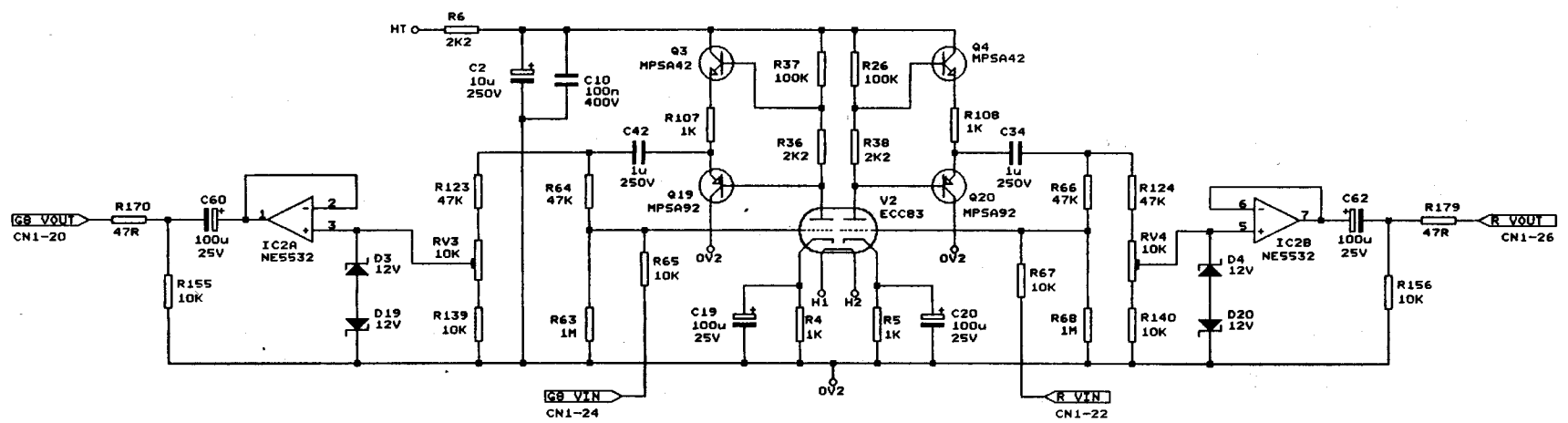
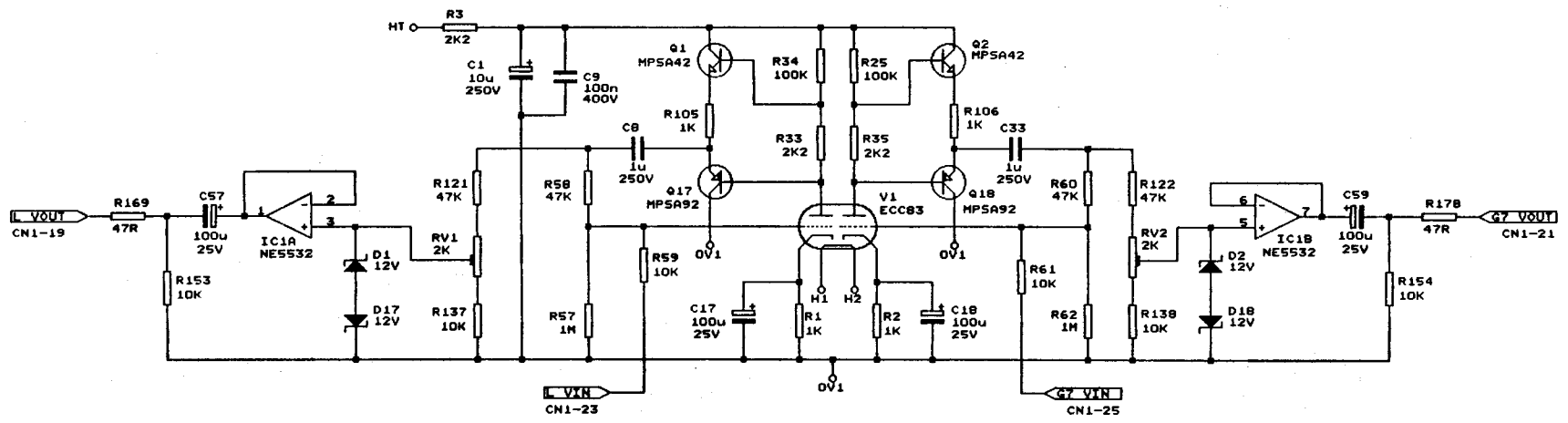
| | | |
|----------------------|--------|-------------------|
| Title | | TL Audio |
| Size Document Number | | VTC MASTER |
| Date | | FEBRUARY 11, 1999 |
| Sheet | | 3 of 5 |
| REV | 4.1 | |
| B | CD1336 | |



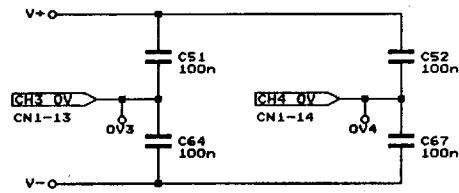
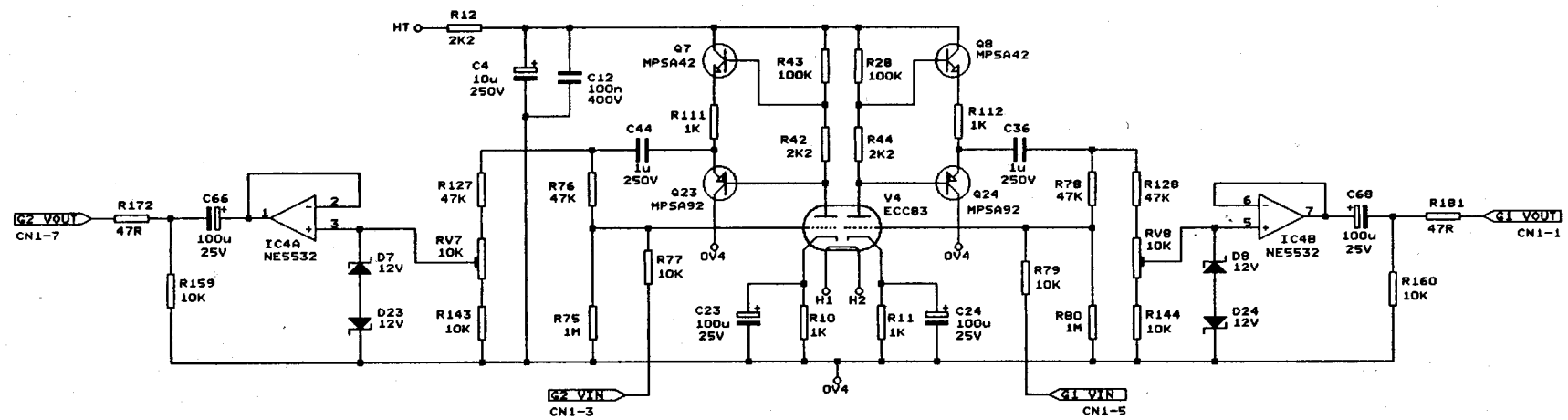
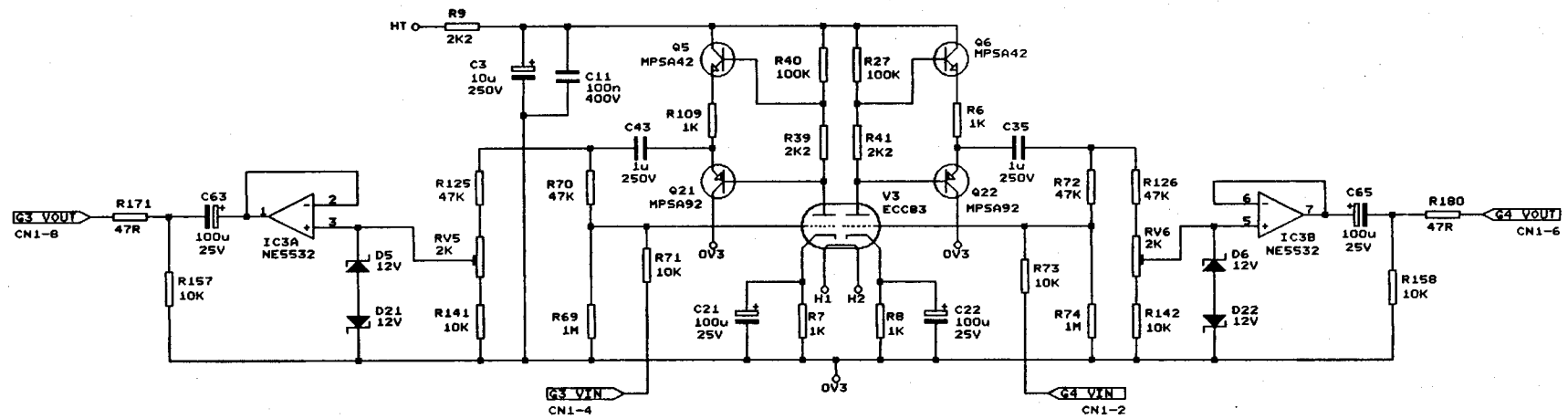
Title: TL Audio
 Copyright: 1999
 VTC MASTER
 Size: Document Number CD1336
 B
 Date: JULY 19, 1999 Sheet 4 of 5



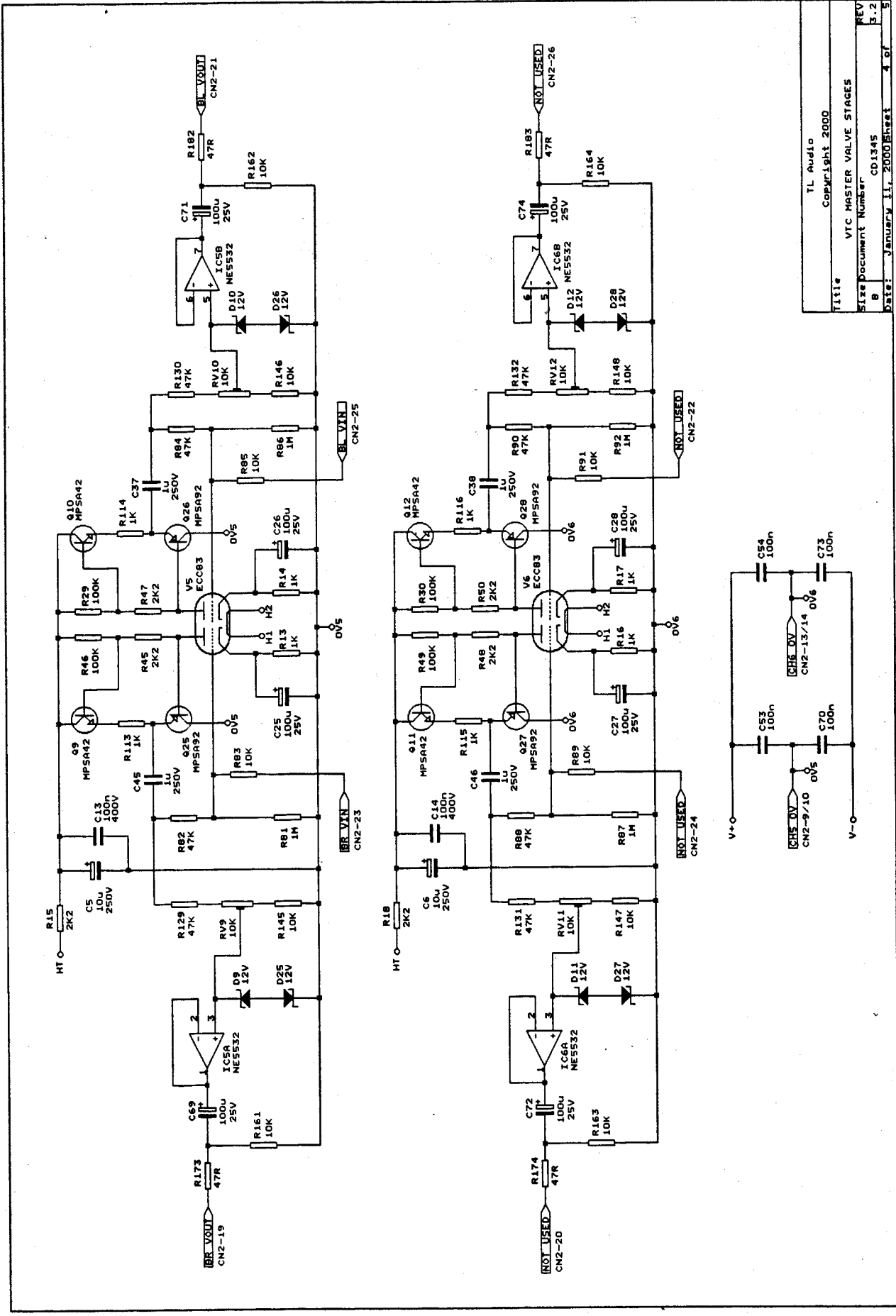
| | |
|----------------------|---------------------------|
| Title | |
| TL Audio | ComLight 1999 |
| VTC MASTER | |
| Size Document Number | CD1336 |
| B | 4.1 |
| Date: | JUL 19, 1999 Sheet 5 of 5 |



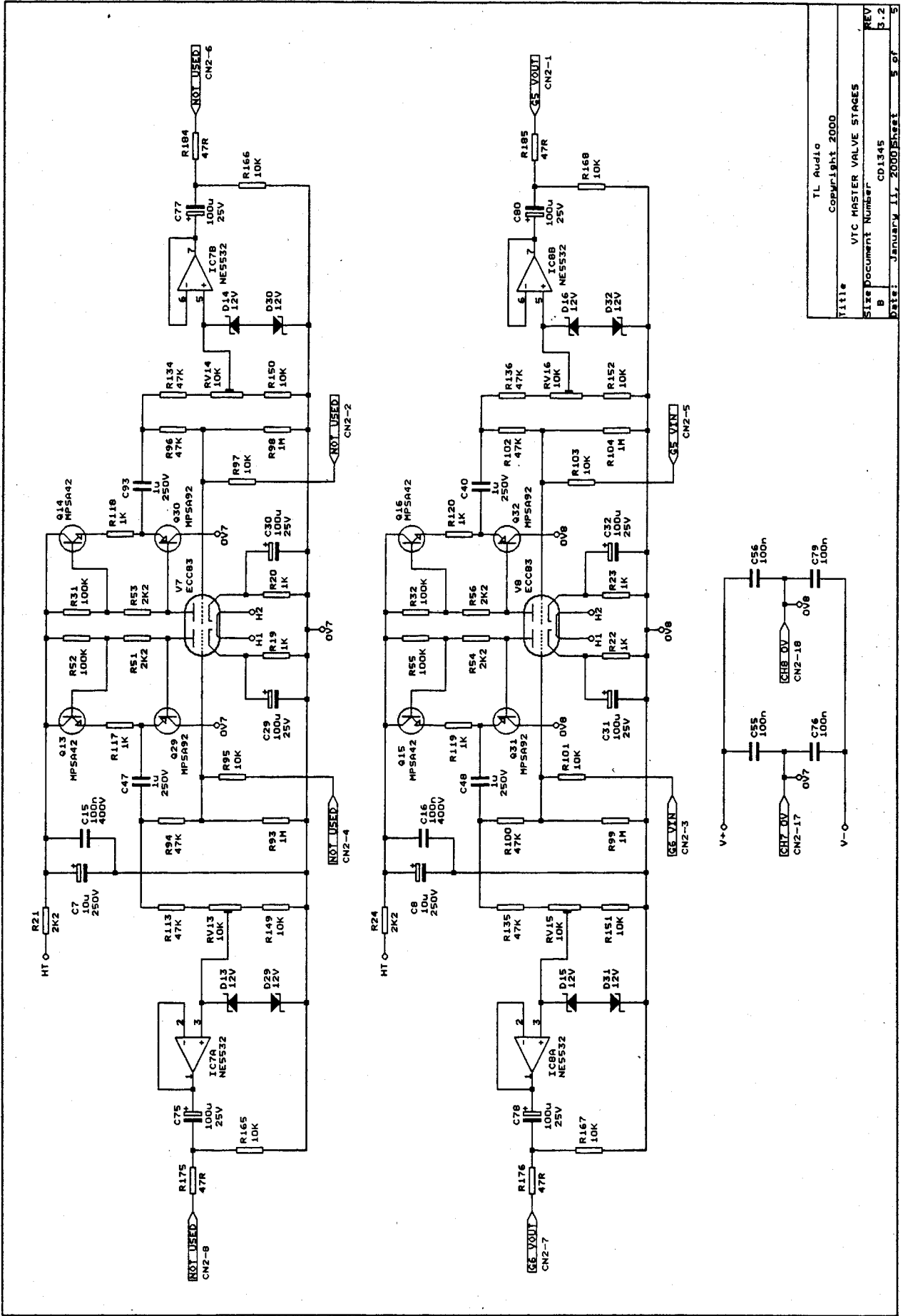
| | | |
|-------------------------|------------------|--------------|
| TL Audio | | |
| Copyright 2000 | | |
| Title | | |
| VTC MASTER VALVE STAGES | | |
| Size | Document Number | REV |
| B | CD1345 | 3.2 |
| Date: | January 11, 2000 | Sheet 2 of 5 |



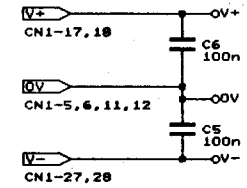
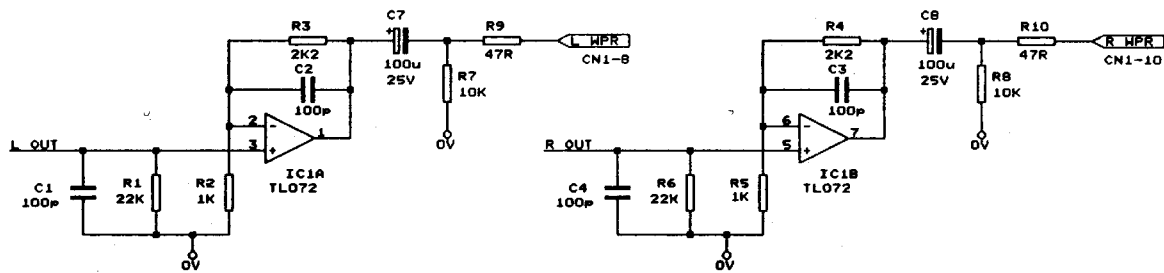
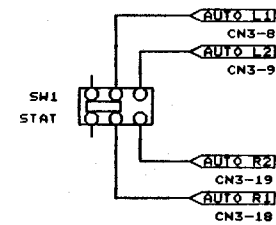
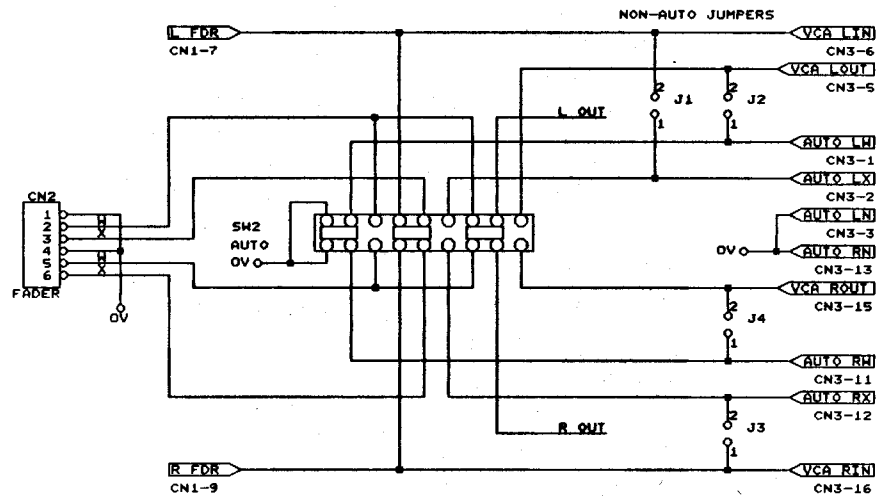
| | |
|-------------------------------------|----------------------|
| TL Audio | |
| Copyright 2000 | |
| Title VTC MASTER VALVE STAGES | |
| Size Document Number B | REV CD1345 3.2 |
| Date: January 11, 2000 Sheet 3 of 5 | |



| | |
|-----------------|-------------------------|
| Title | TL Audio |
| Copyright | Copyright 2000 |
| Size | VTC MASTER VALVE STAGES |
| Document Number | CD1345 |
| REV | 9.2 |
| Date | January 11, 2000 |
| Sheet | 4 of 5 |

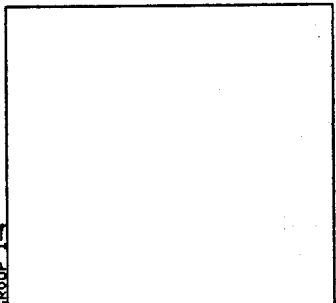


| | |
|-----------------|-------------------------|
| Title | TL Audio |
| Copyright | Copyright 2000 |
| Size | VTC MASTER VALVE STAGES |
| Document Number | CD1345 |
| REV | 5.2 |
| Date | January 11, 2000 |
| Sheet | 5 of 5 |

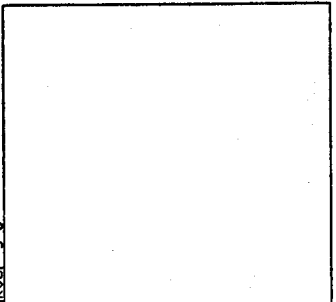


| | |
|--------------------------|--------------|
| TL Audio | |
| Copyright 1999 | |
| Title VTC MASTER FADER | |
| Size Document Number | REV |
| B CD1339 | 3.1 |
| Date: September 17, 1999 | Sheet 1 of 1 |

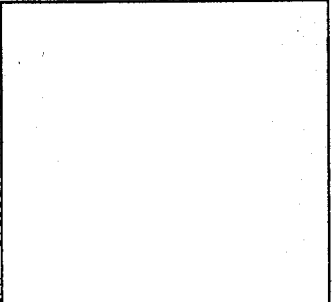
GROUP 1-4



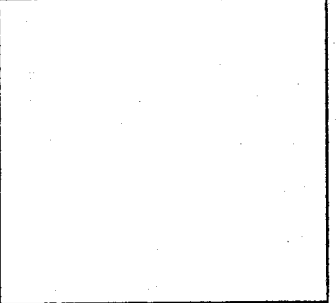
GROUP 5-8



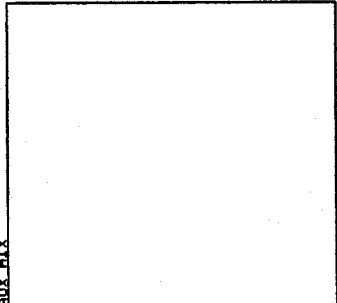
C/R + STUDIO



RETURNS



AUX MIX



NOTES FOR QUALIFIED SERVICE ENGINEERS

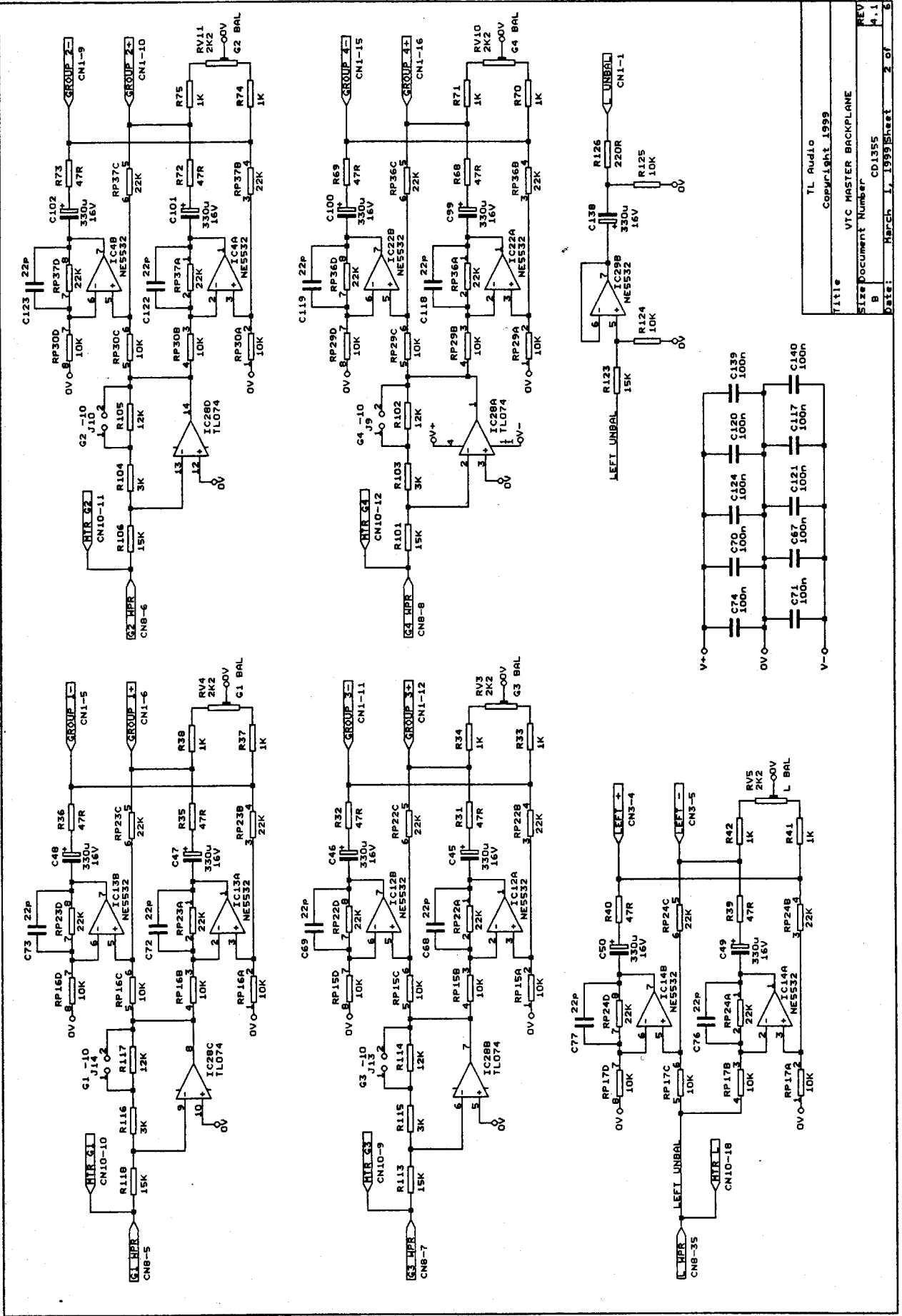
The highest voltage existing on this PCB under normal working circumstances is +/-15V DC.
The highest voltage existing within the mixing console under normal working circumstances is 250V DC.
Power Supply voltages may take several minutes to decay after the unit is switched off.

CARE MUST BE TAKEN WHEN FAULT FINDING.

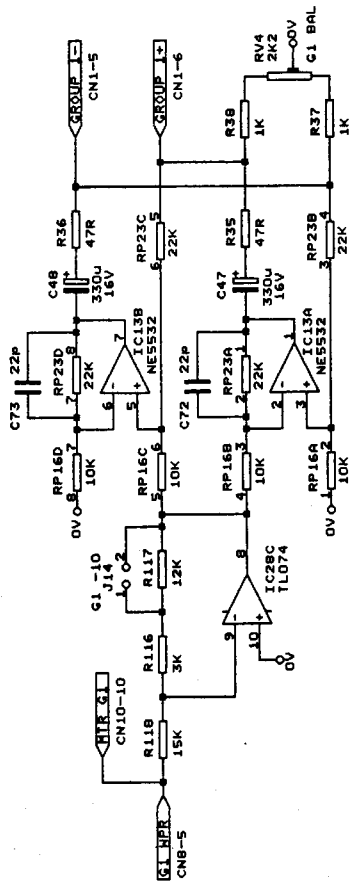
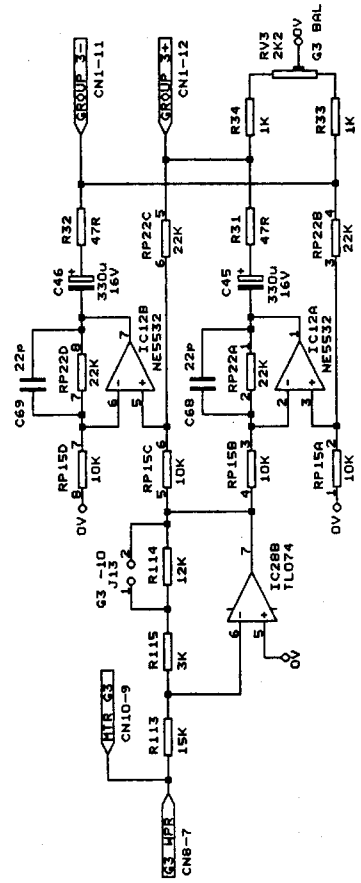
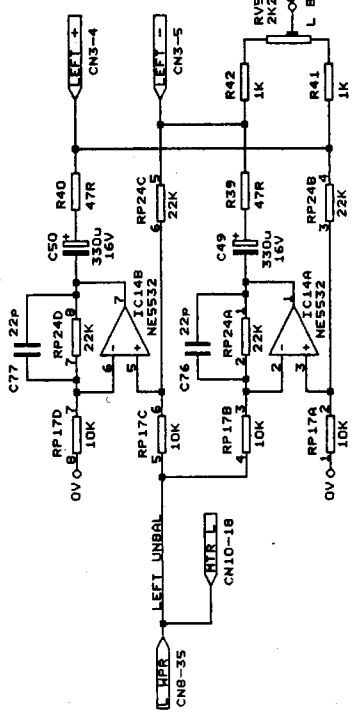
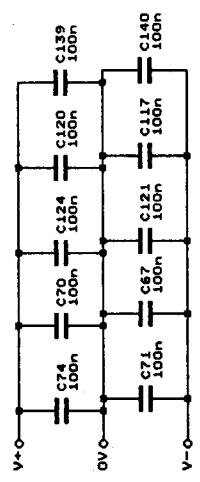
- DO NOT handle the PCB while the unit is connected to the Mains Supply.
- DO NOT use screws with different type or length than those currently fitted.
- DO NOT remove EARTH wires under any circumstances.
- REPLACE all covers removed during servicing.
- During reassembly DO NOT allow wires to be trapped.

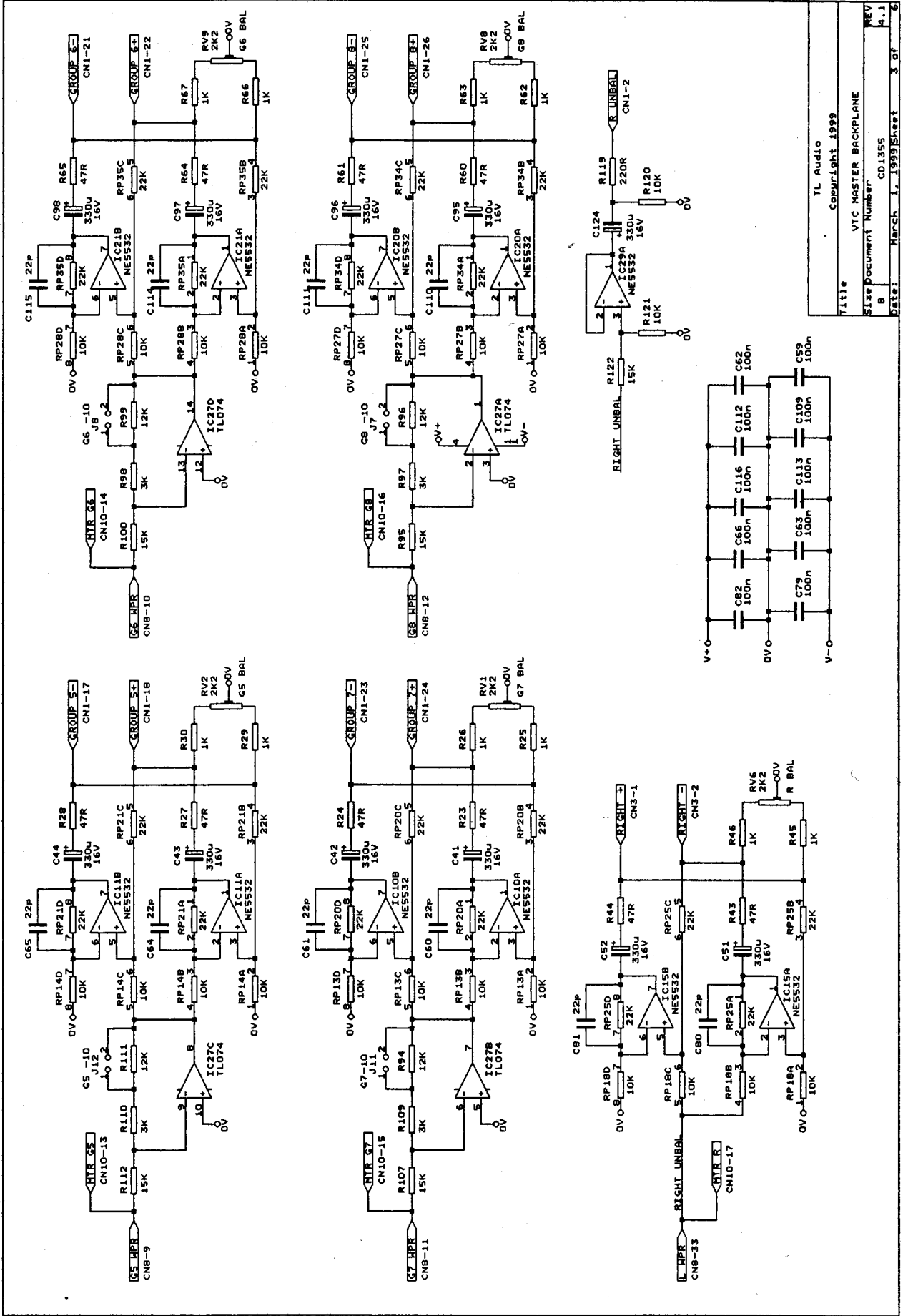
IF IN DOUBT CONSULT SUPPLIER.

| | |
|----------------|----------------------------|
| TL Audio | |
| Copyright 1999 | |
| Title | VTC MASTER BACKPLANE |
| Size | Document Number CD1355 |
| B | REV 4.1 |
| Date | March 1, 1999 Sheet 1 of 6 |

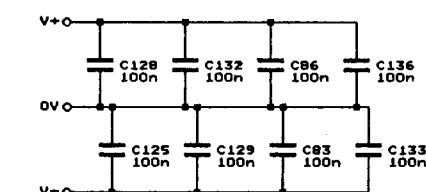
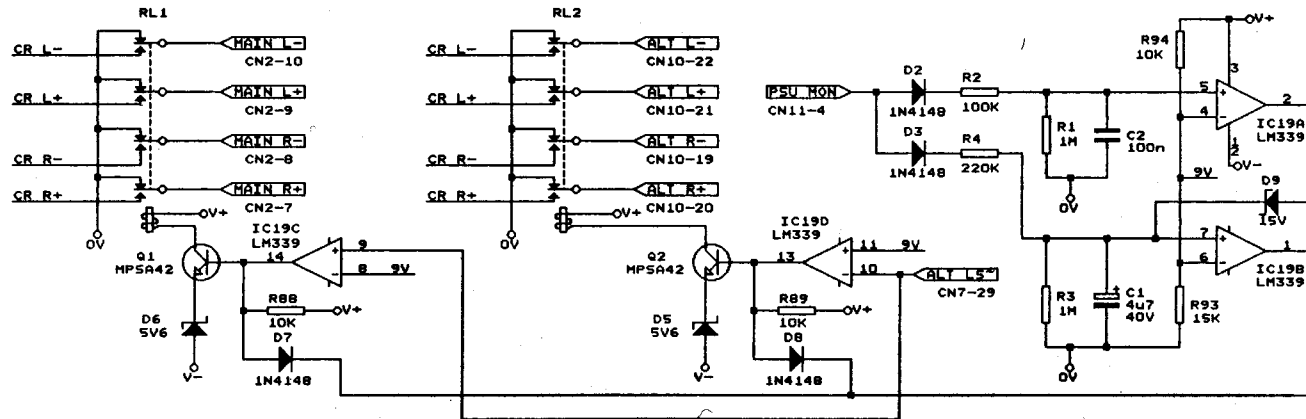
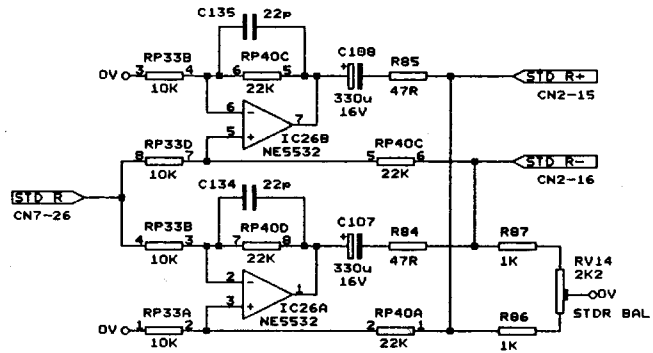
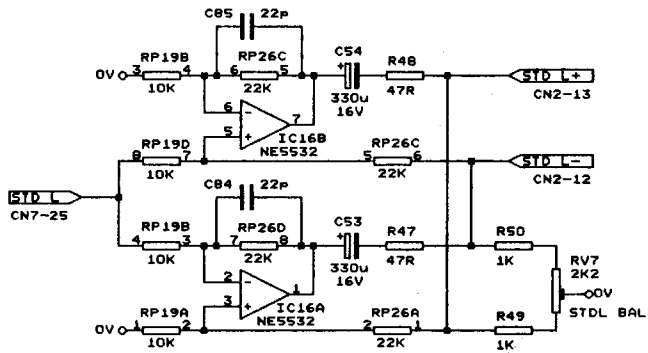
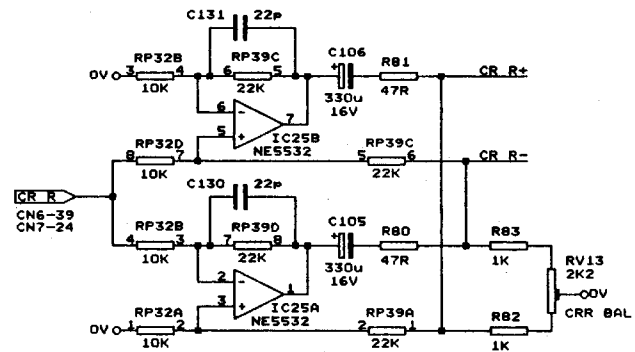
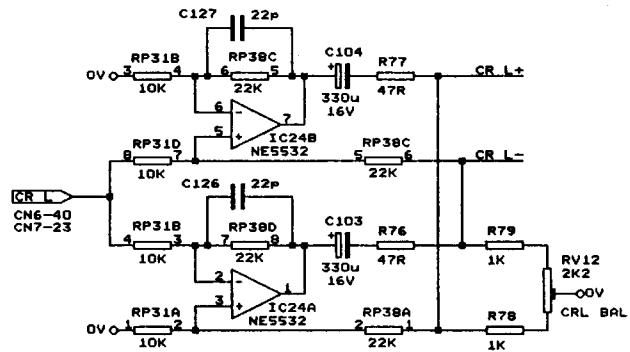


Title TL Audio
 Copyright 1999
 Size Document Number VTC MASTER BACKPLANE
 B CD1355
 Date: March 1, 1999 Sheet 2 of 6

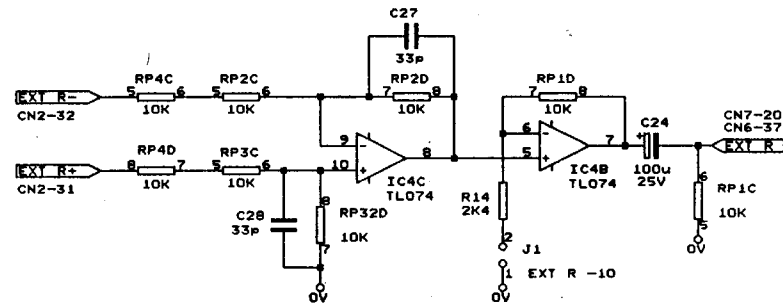
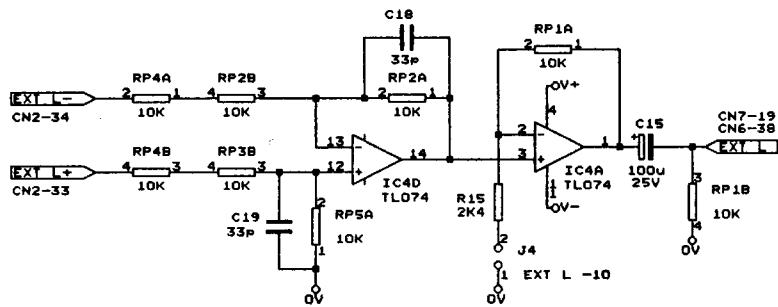
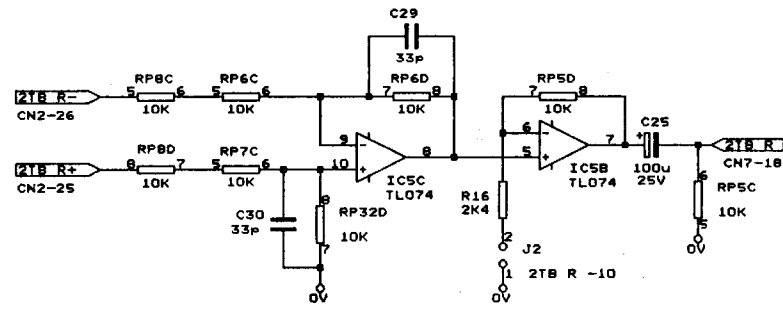
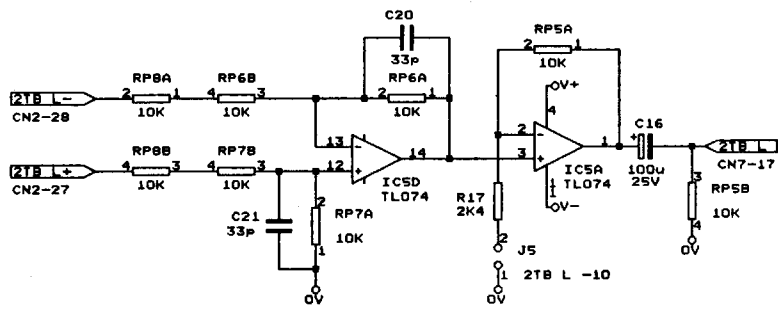
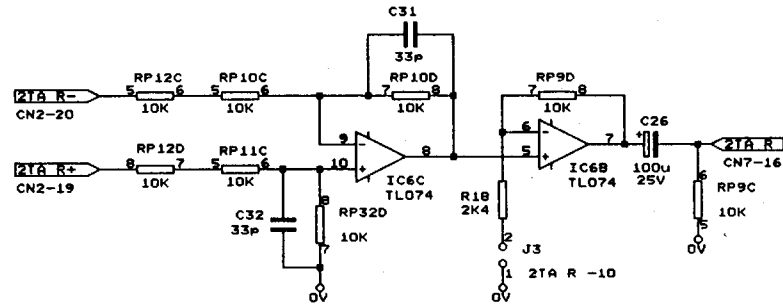
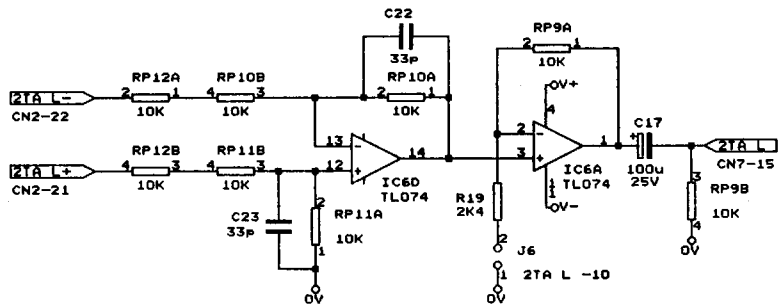




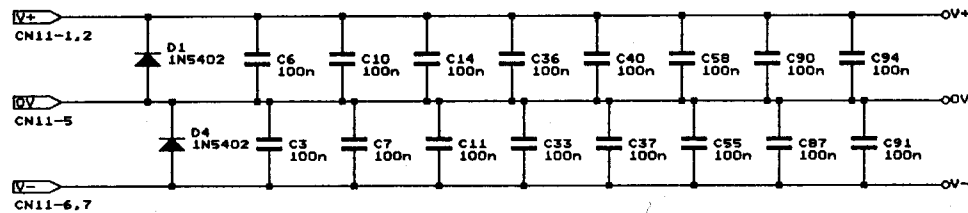
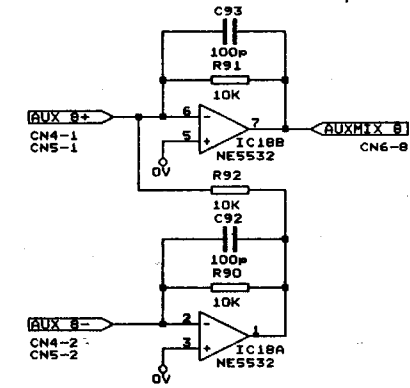
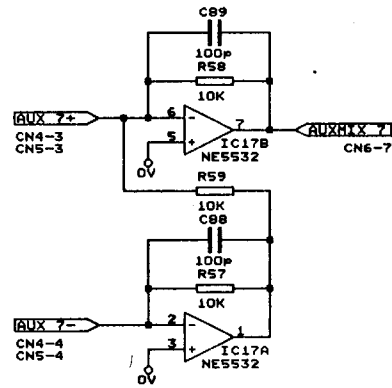
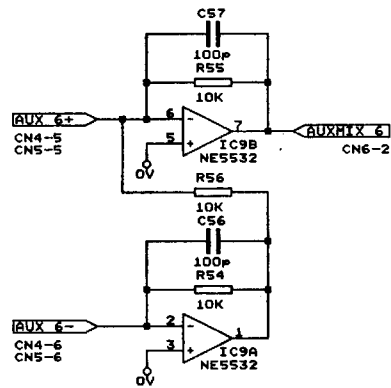
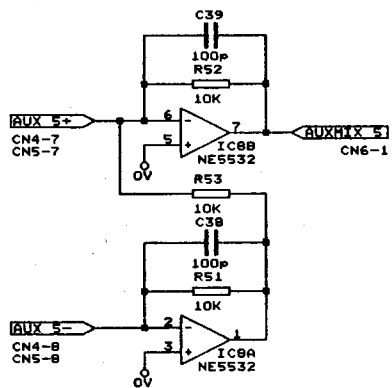
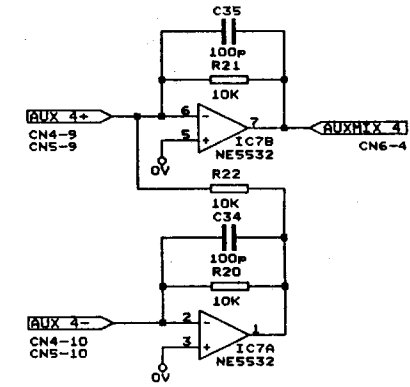
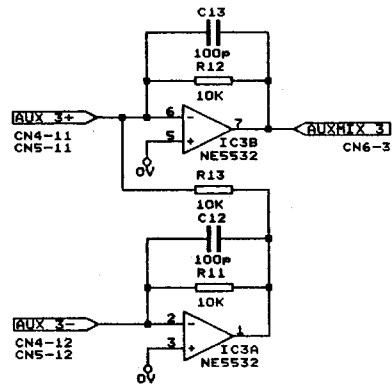
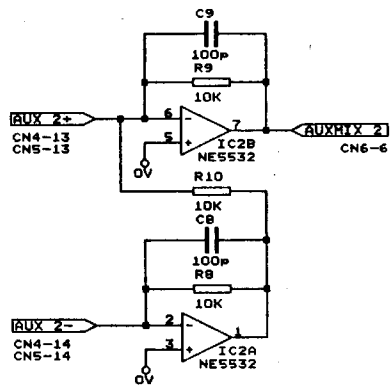
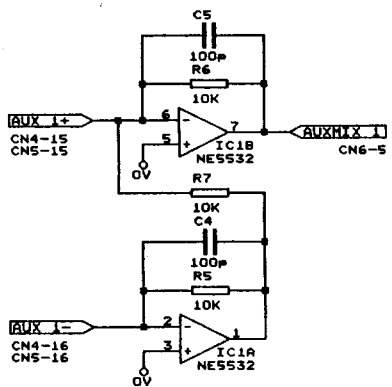
Title: TL Audio
 GsmvLight_1999
 VTC MASTER BACKPLANE
 Size Document Number: CD1355
 B
 Date: March 1, 1999 Sheet 3 of 6



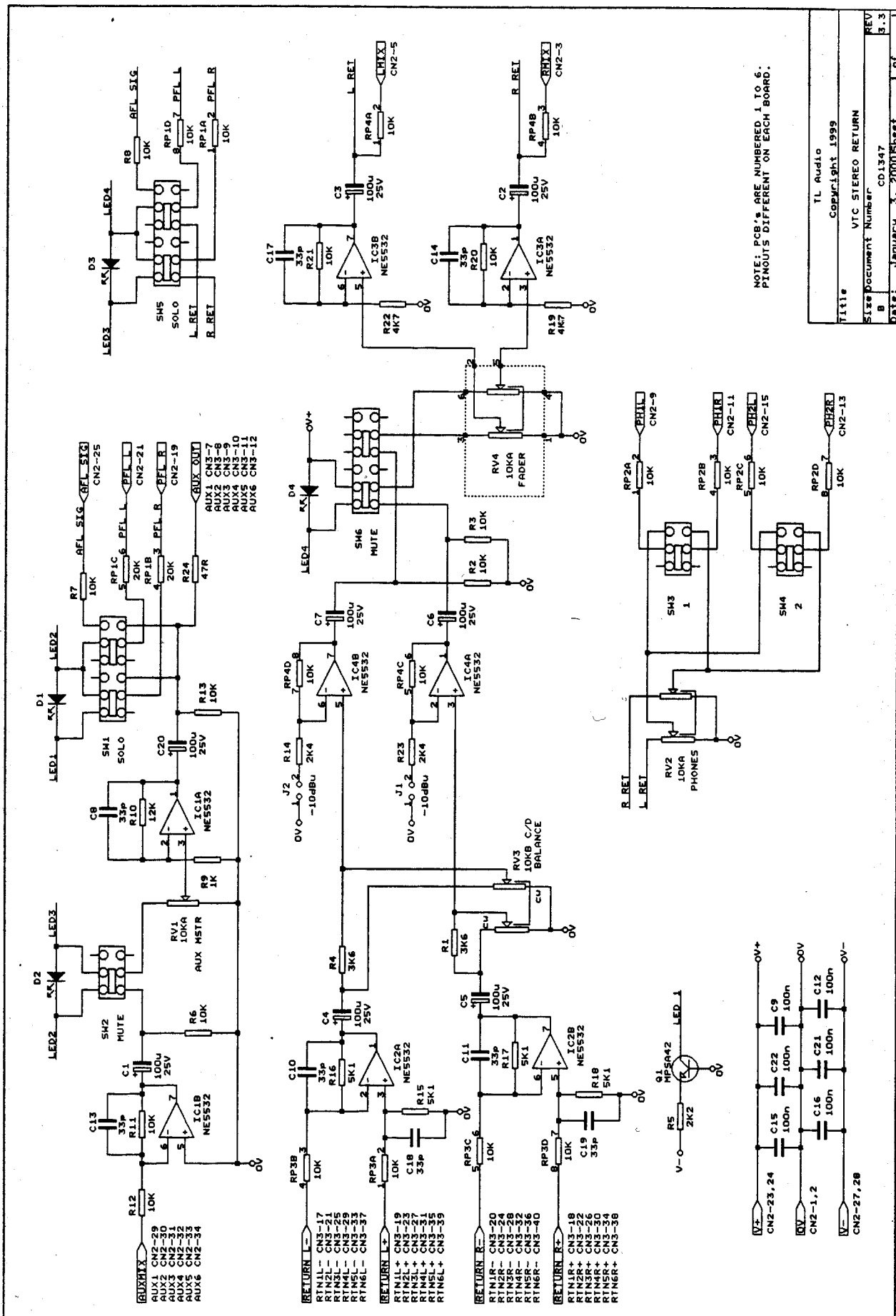
| | |
|----------------------|----------------------------|
| TL Audio | |
| Copyright 1999 | |
| Title | |
| VTC MASTER BACKPLANE | |
| Size | Document Number |
| B | CD1355 |
| Date: | March 1, 1999 Sheet 4 of 6 |
| REV | 4.1 |



| | | |
|----------------------------|----------------------------|-----|
| TL Audio Copyright 1999 | | |
| Title VTC MASTER BACKPLANE | | |
| Size | Document Number | REV |
| B | CD1355 | 4.1 |
| Date: | March 1, 1999 Sheet 5 of 6 | |

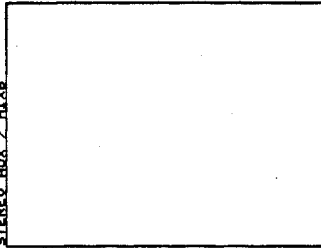


| | |
|----------------------------------|-----|
| TL Audio | |
| Copyright 1999 | |
| Title VTC MASTER BACKPLANE | |
| Size Document Number | REV |
| B CD1355 | 4.1 |
| Date: March 1, 1999 Sheet 6 of 8 | |

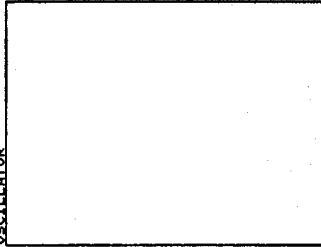


| | |
|----------------------|-------------------|
| TL111e | TL Audio |
| B | Copyright 1999 |
| 8 | VTC STEREO RETURN |
| Size Document Number | CD1347 |
| Date: | January 3, 2000 |
| REV | 1 of 1 |
| 3.3 | |

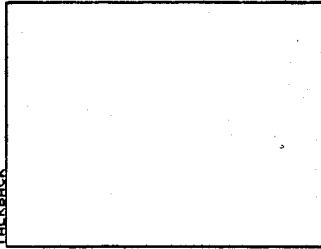
STEREO_AUX / MIXB



OSCILLATOR



TALKBACK



NOTES FOR QUALIFIED SERVICE ENGINEERS

The highest voltage existing on this PCB under normal working circumstances is +/-15V DC.
The highest voltage existing within the mixing console under normal working circumstances is 250V DC.
Power Supply voltages may take several minutes to decay after the unit is switched off.

CARE MUST BE TAKEN WHEN FAULT FINDING.

- DO NOT handle the PCB while the unit is connected to the Mains Supply.
- DO NOT use screws with different type or length than those currently fitted.
 - DO NOT remove EARTH wires under any circumstances.
 - REPLACE all covers removed during servicing.
 - During reassembly DO NOT allow wires to be trapped.

IF IN DOUBT CONSULT SUPPLIER.

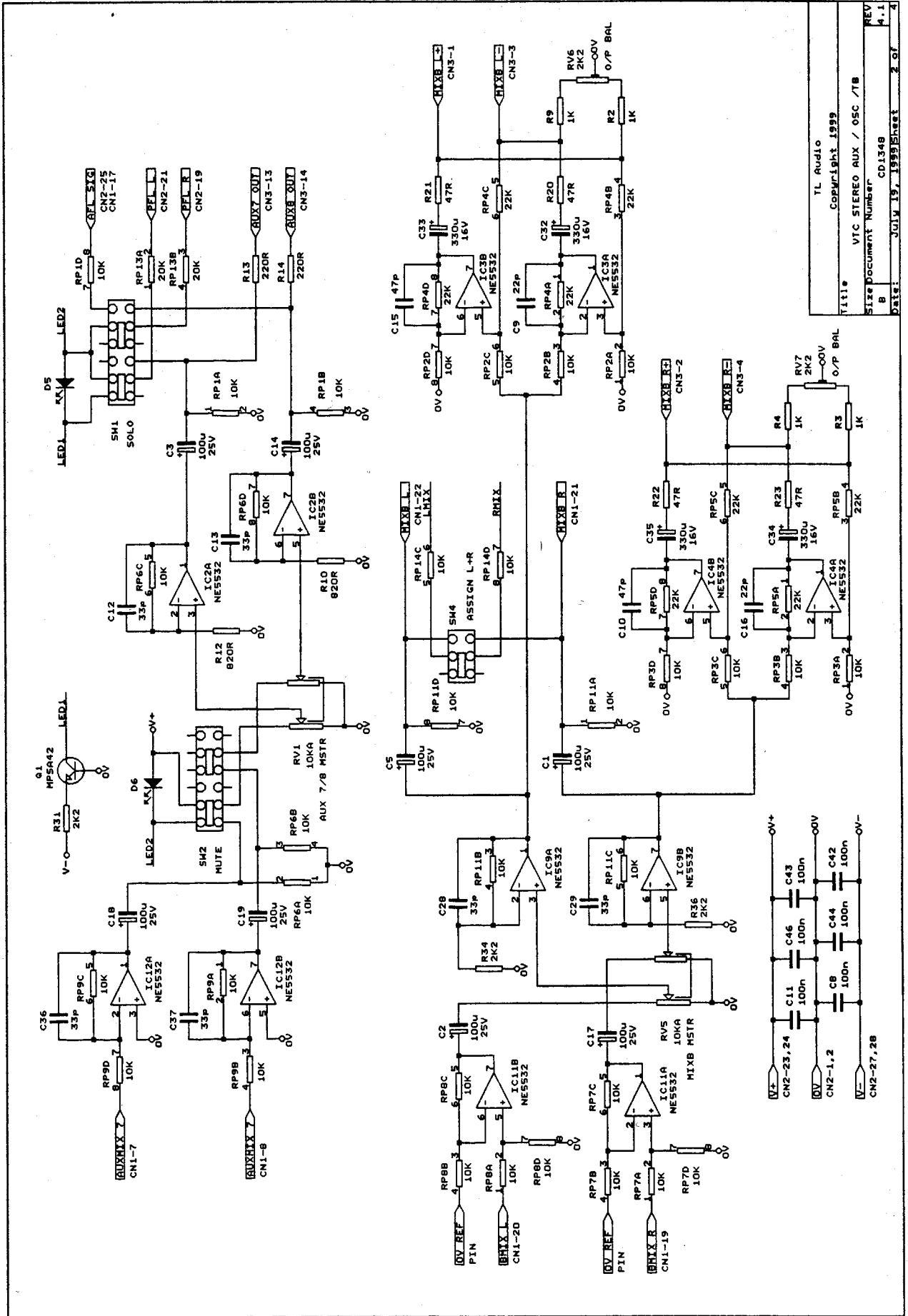
TL Audio
Copyright 1999

Title VTC STEREO_AUX / OSC / TB

Size Document Number CB1348

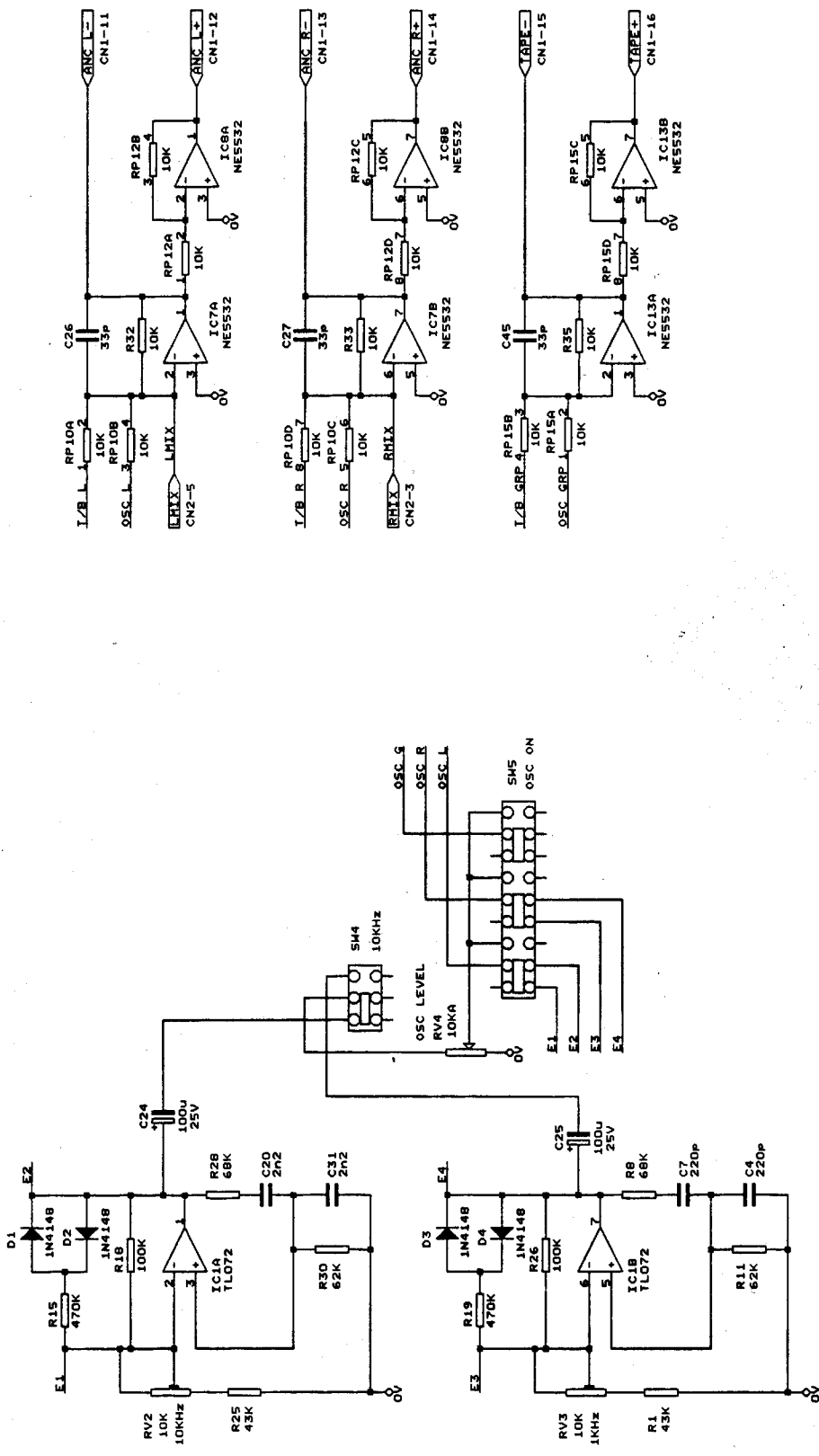
REV 4.1

Date: February 24, 1999 Sheet 1 of 4

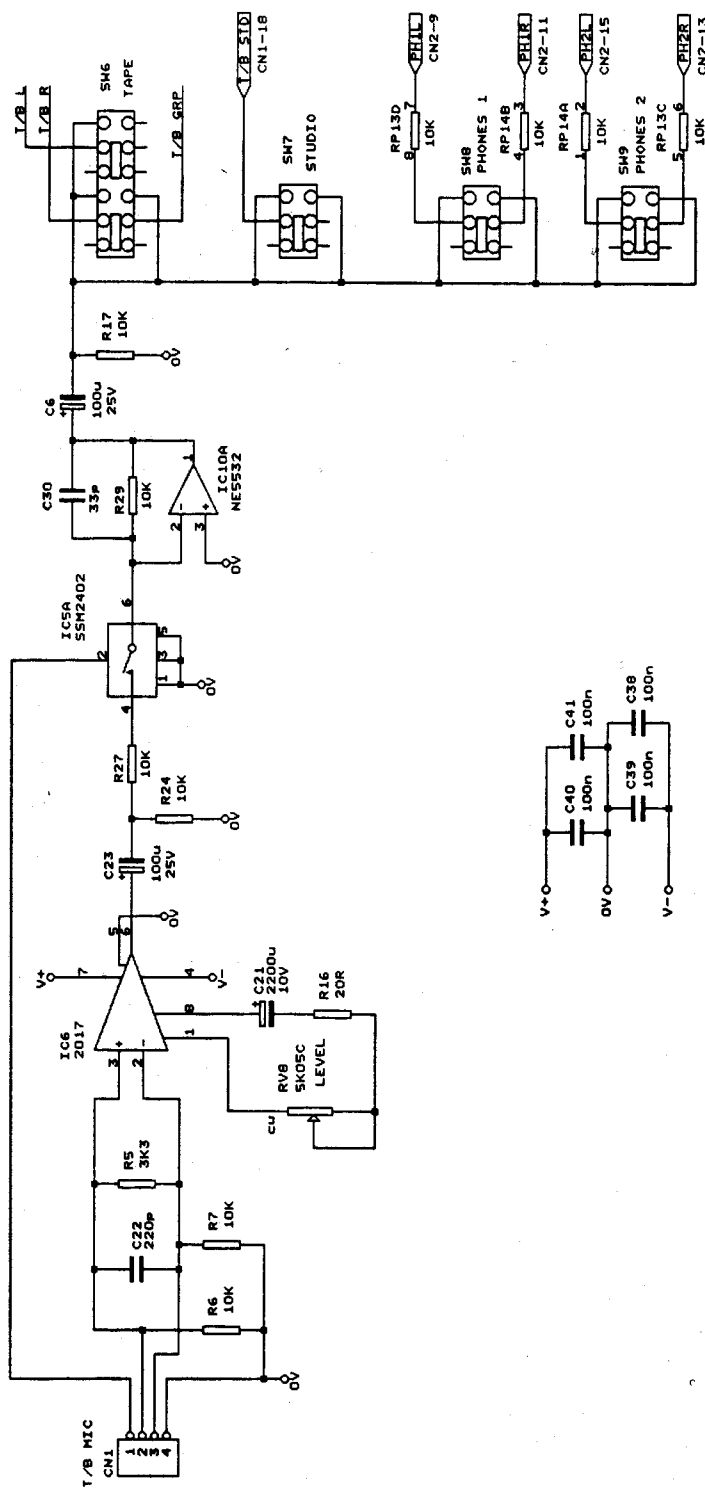


Title: VTC Stereo Aux / OSC / TB
 Size: Document Number CD1348
 Date: JULY 19, 1999 Sheet 2 of 4

TL Audio
 Copyright 1999

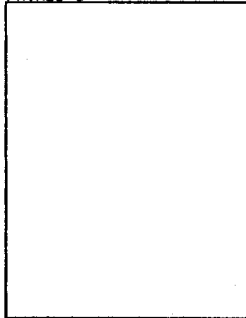


| | |
|----------------|--------------------------|
| TL Audio | |
| Copyright 1999 | |
| Title | VTC STEREO AUX / OSC /TB |
| Size | Document Number |
| B | CD1348 |
| REV | 4.1 |
| Date: | February 24, 1999 |
| Sheet | 3 of 4 |

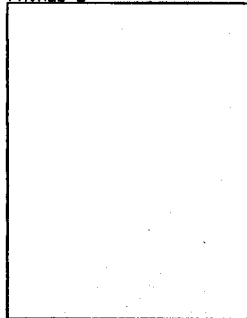


| | |
|-------------------------|---------------------------|
| TL Audio | |
| Copyright 1999 | |
| Title | VTC STEREO AUX / OSC / TB |
| Size Document Number | CD1348 |
| B | REV |
| Date: February 23, 1999 | Sheet 4 of 4 |

PHONES 1



PHONES 2



NOTES FOR QUALIFIED SERVICE ENGINEERS

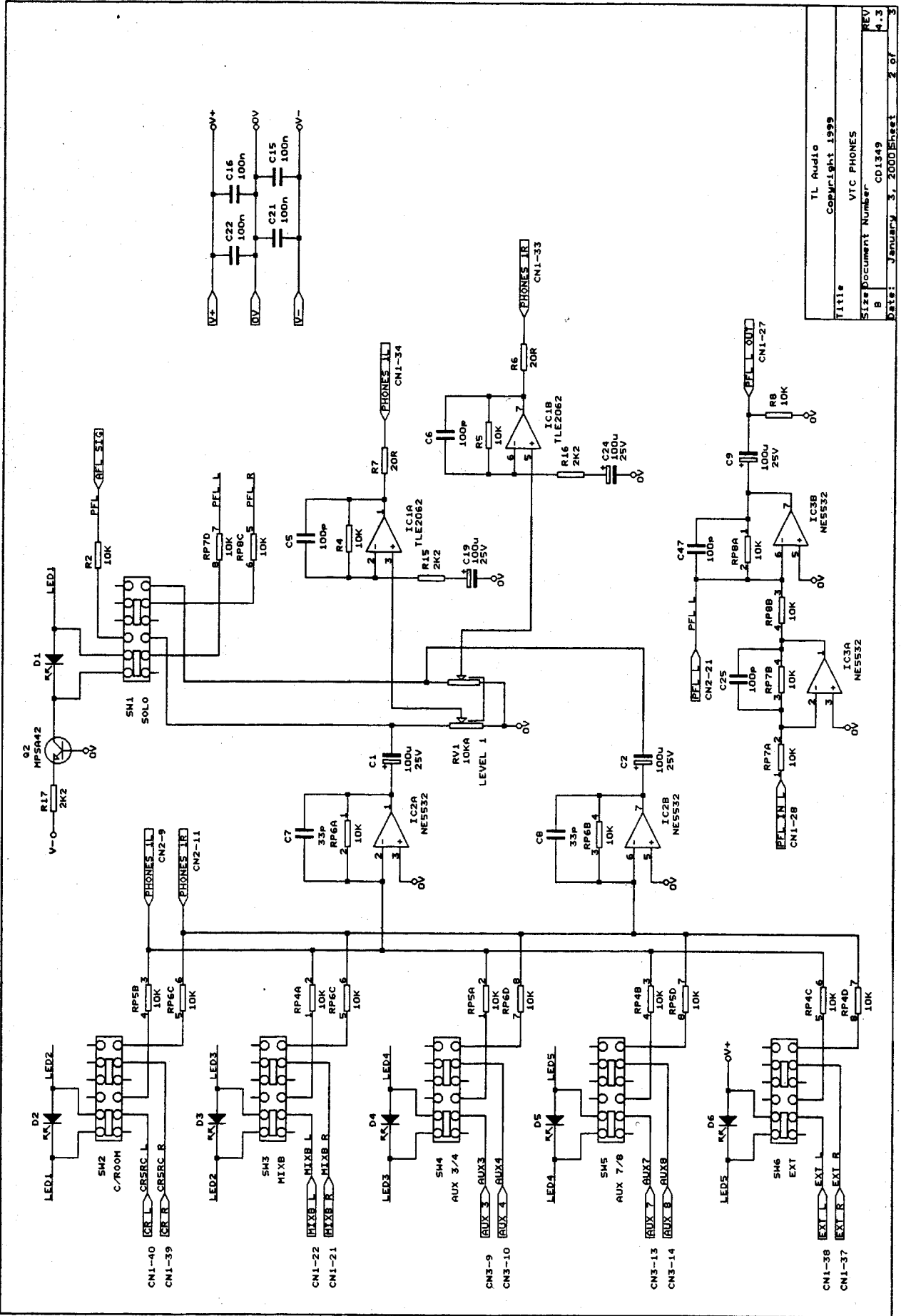
The highest voltage existing on this PCB under normal working circumstances is +/-15V DC.
The highest voltage existing within the mixing console under normal working circumstances is 250V DC.
Power Supply voltages may take several minutes to decay after the unit is switched off.

CARE MUST BE TAKEN WHEN FAULT FINDING.

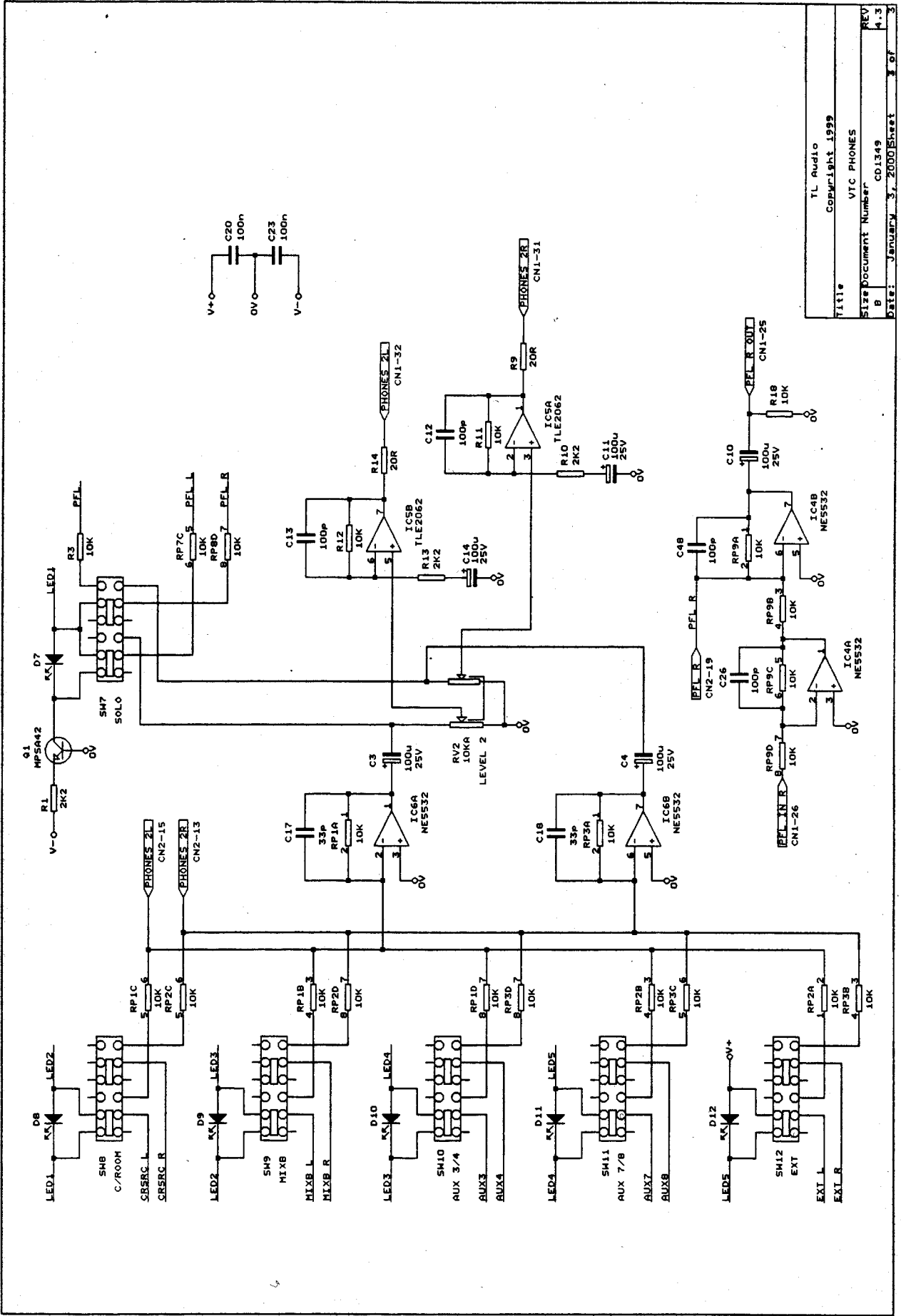
DO NOT handle the PCB while the unit is connected to the Mains Supply.
DO NOT use screws with different type or length than those currently fitted.
DO NOT remove EARTH wires under any circumstances.
REPLACE all covers removed during servicing.
During reassembly DO NOT allow wires to be trapped.

IF IN DOUBT CONSULT SUPPLIER.

| | |
|----------------|-----------------|
| TL Audio | |
| Copyright 1999 | |
| Title | |
| VTC PHONES | |
| Size | Document Number |
| 8 | CD1349 |
| Date: | January 3, 2000 |
| Sheet | 1 of 3 |
| REV | 4.3 |

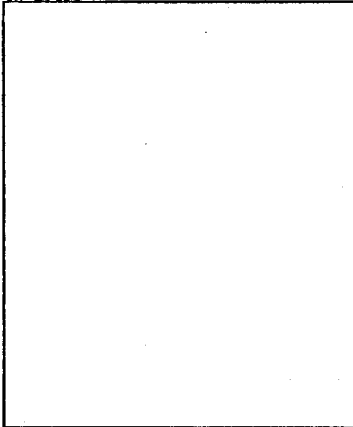


| | |
|-----------------|------------------------------|
| Title | TL Audio |
| Copyright | Copyright 1999 |
| Size | VTC PHONES |
| Document Number | CD1349 |
| REV | 4.3 |
| Date | January 3, 2000 Sheet 2 of 3 |

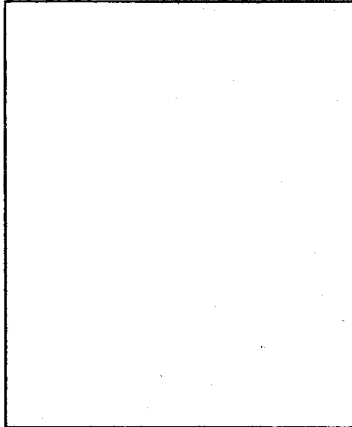


Title TL Audio
 Copyright 1999
 VTC PHONES
 Size Document Number C01349
 B
 Date: January 3, 2000 Sheet 3 of 3

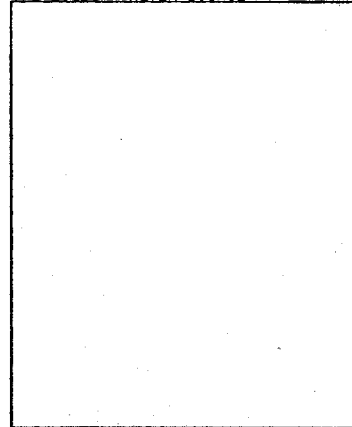
CR LOGIC



STD LOGIC



T/B LOGIC + METER SOURCE



NOTES FOR QUALIFIED SERVICE ENGINEERS

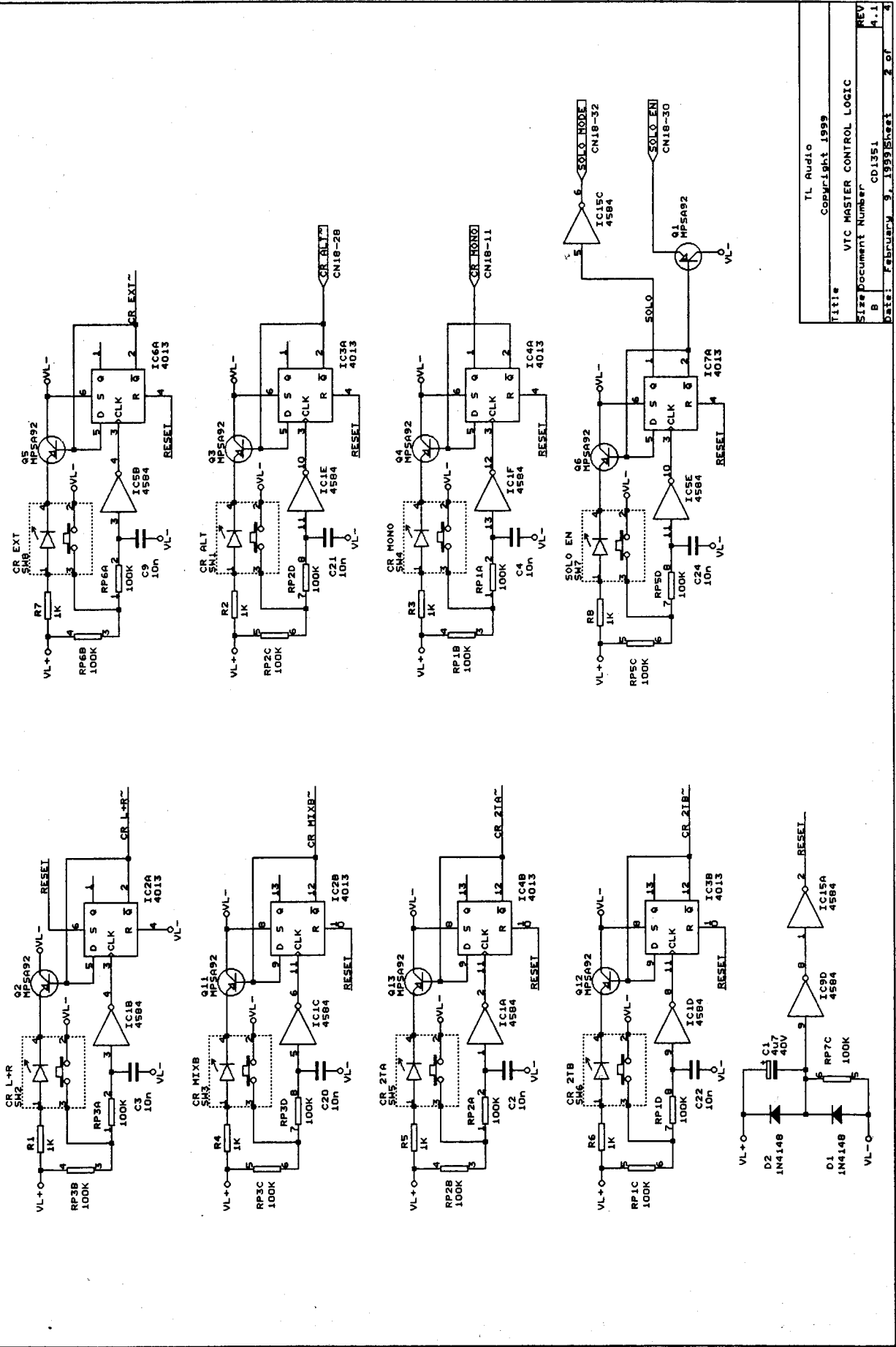
The highest voltage existing on this PCB under normal working circumstances is $\pm 15V$ DC.
The highest voltage existing within the mixing console under normal working circumstances is 250V DC.
Power Supply voltages may take several minutes to decay after the unit is switched off.

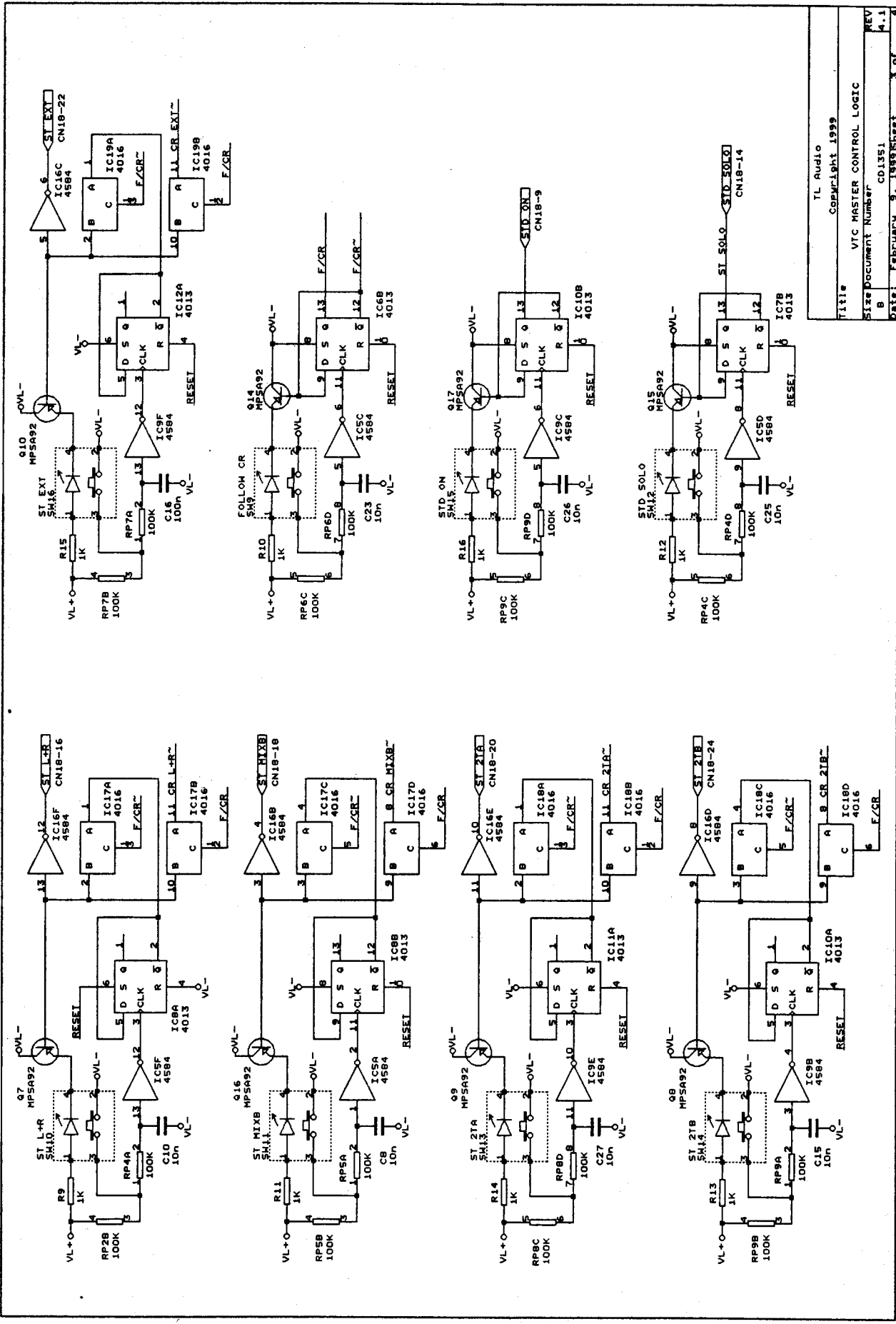
CARE MUST BE TAKEN WHEN FAULT FINDING.

DO NOT handle the PCB while the unit is connected to the Mains Supply.
DO NOT use screws with different type or length than those currently fitted.
DO NOT remove EARTH wires under any circumstances.
REPLACE all covers removed during servicing.
During reassembly DO NOT allow wires to be trapped.

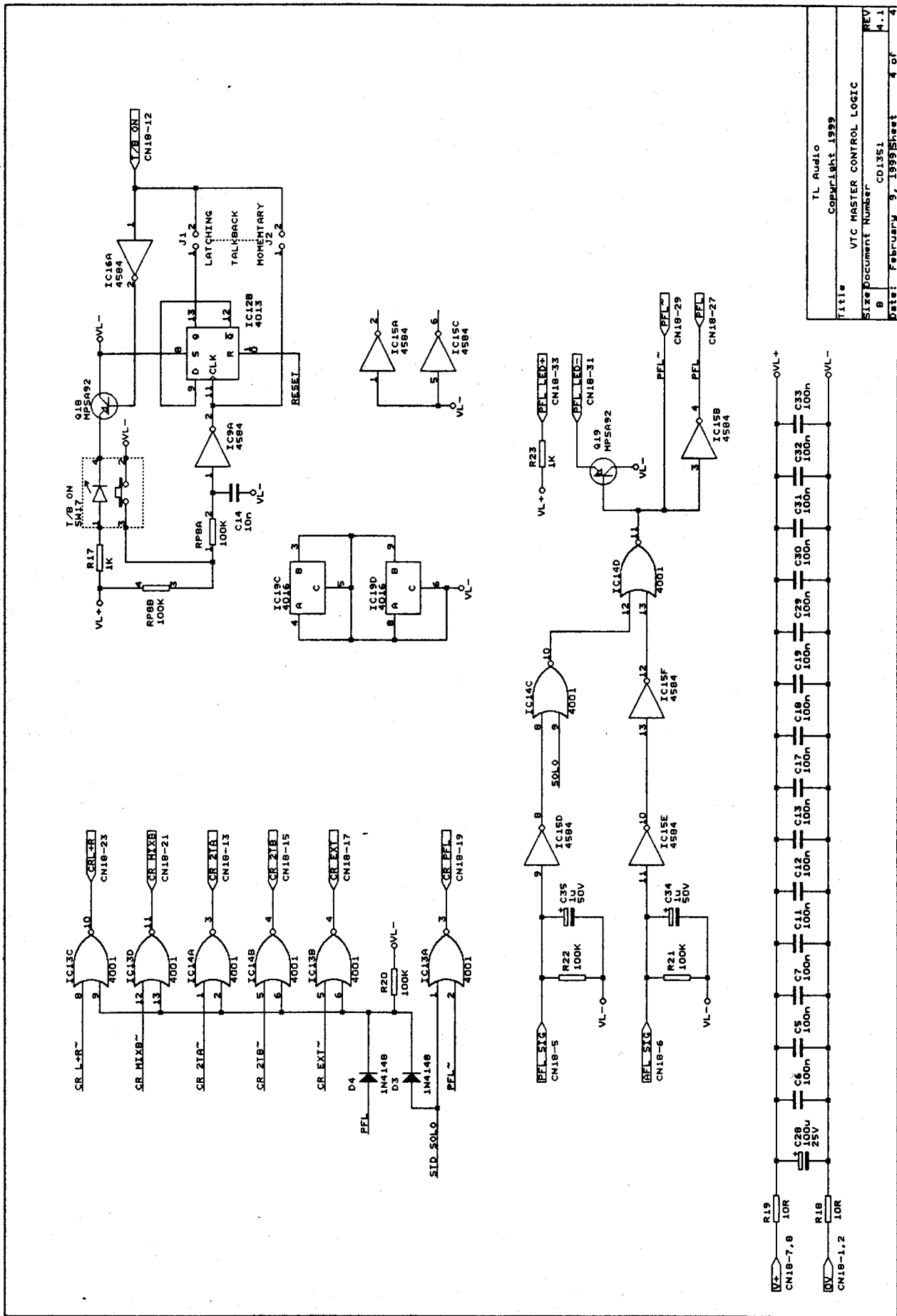
IF IN DOUBT CONSULT SUPPLIER.

| | |
|--------------------------|------------------|
| TL Audio | |
| Copyright 1999 | |
| Title | |
| VTC MASTER CONTROL LOGIC | |
| Size | Document Number |
| B | CD1351 |
| Date: | February 9, 1999 |
| Sheet | 1 of 4 |
| REV | 4.1 |



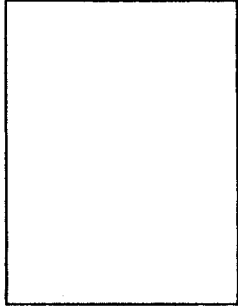


| | |
|-----------------|-------------------------------|
| Title | TL Audio |
| Size | Copyright 1999 |
| Document Number | VTC MASTER CONTROL LOGIC |
| REV | 4.1 |
| Date | February 9, 1999 Sheet 3 of 4 |

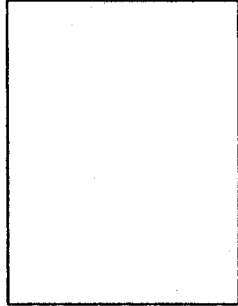


| | |
|-----------------|--------------------------|
| TITLE | TL Audio |
| REV | COMPLIGHT 1999 |
| SIZE | VTC MASTER CONTROL LOGIC |
| DOCUMENT NUMBER | CD1351 |
| REV | REV |
| DATE | 1.1 |
| | 4 of 4 |

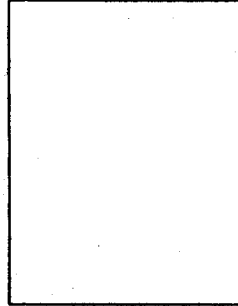
INPUT



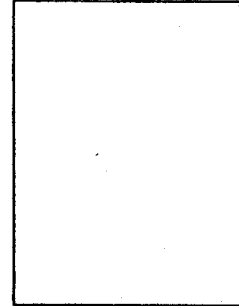
CH 1+2



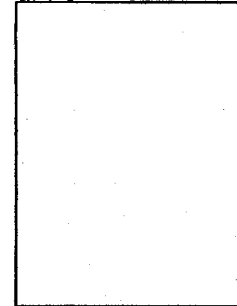
CH 3+4



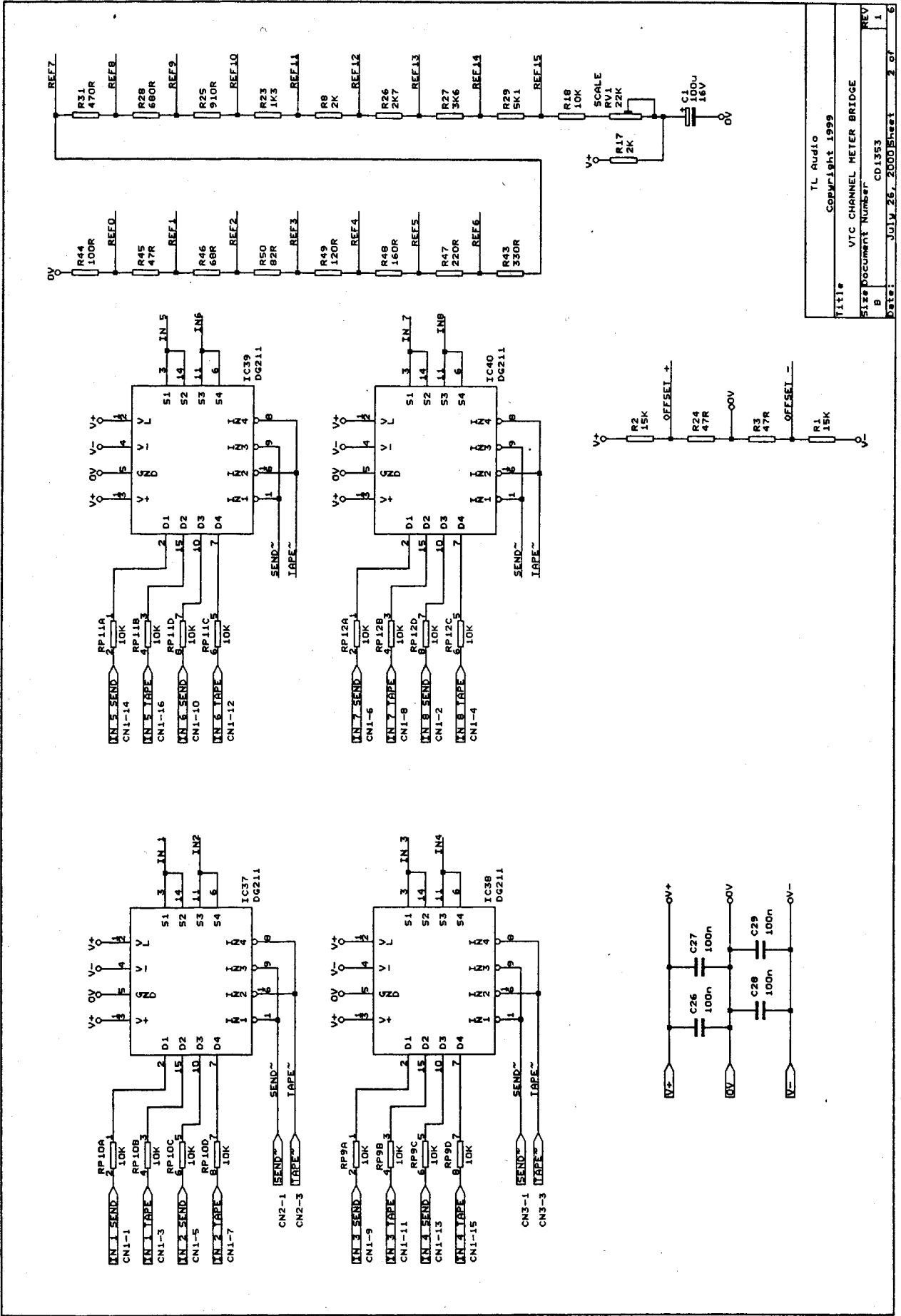
CH 5+6



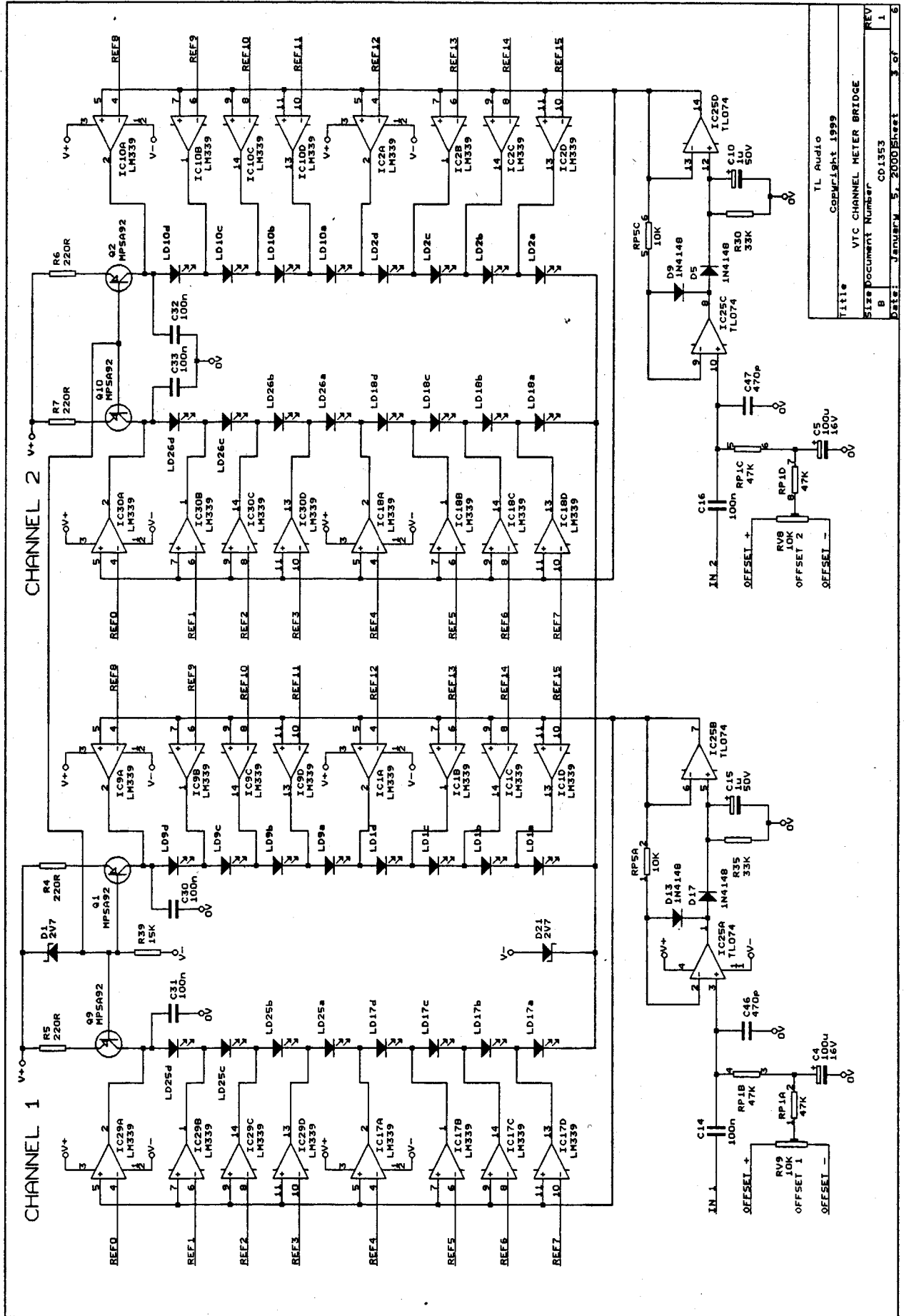
CH 7+8

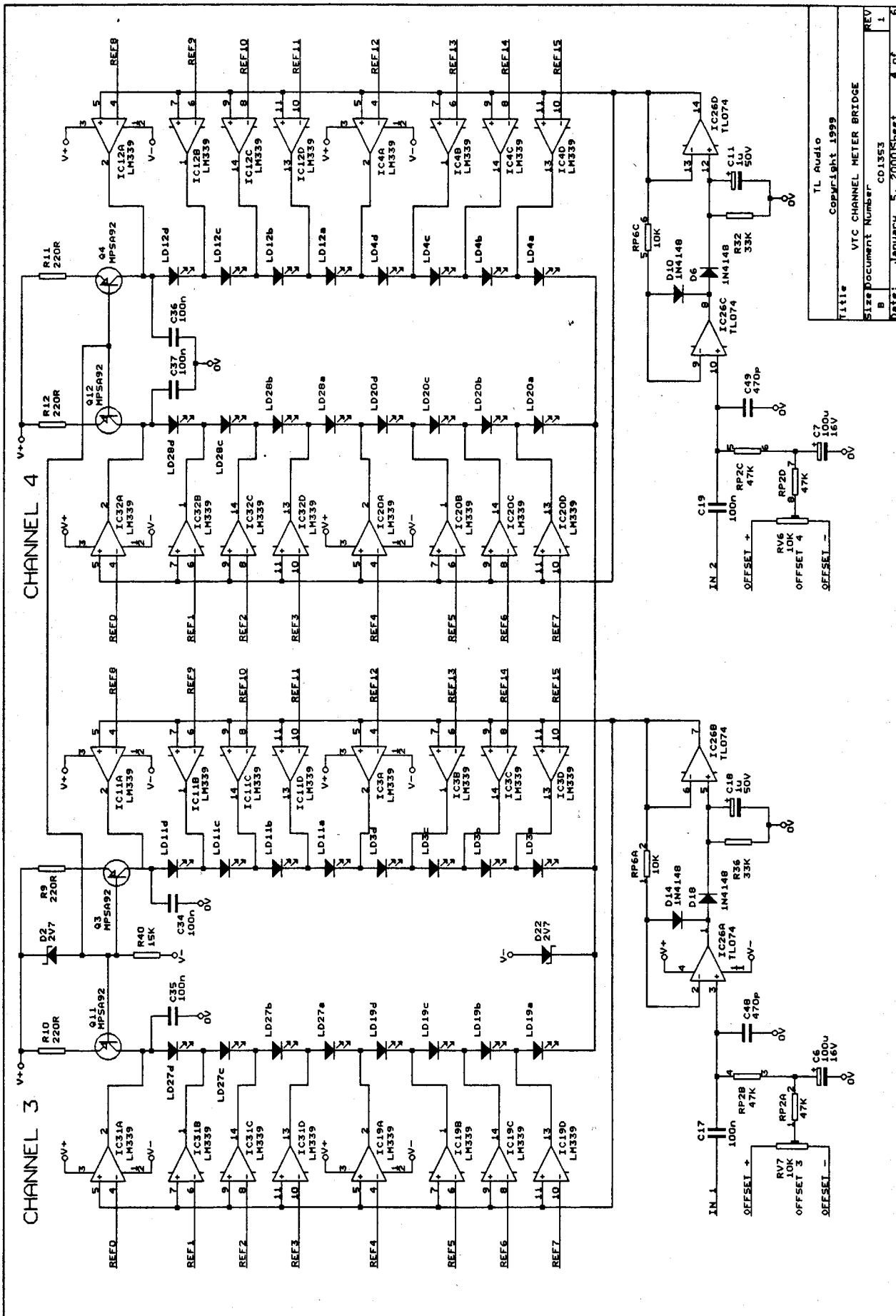


| | | |
|--------------------------|-----------------|--------------|
| TL Audio | | |
| Copyright 1999 | | |
| Title | | |
| VTC CHANNEL METER BRIDGE | | |
| Size | Document Number | REV |
| B | CD1353 | 1 |
| Date: | January 5, 2000 | Sheet 1 of 6 |

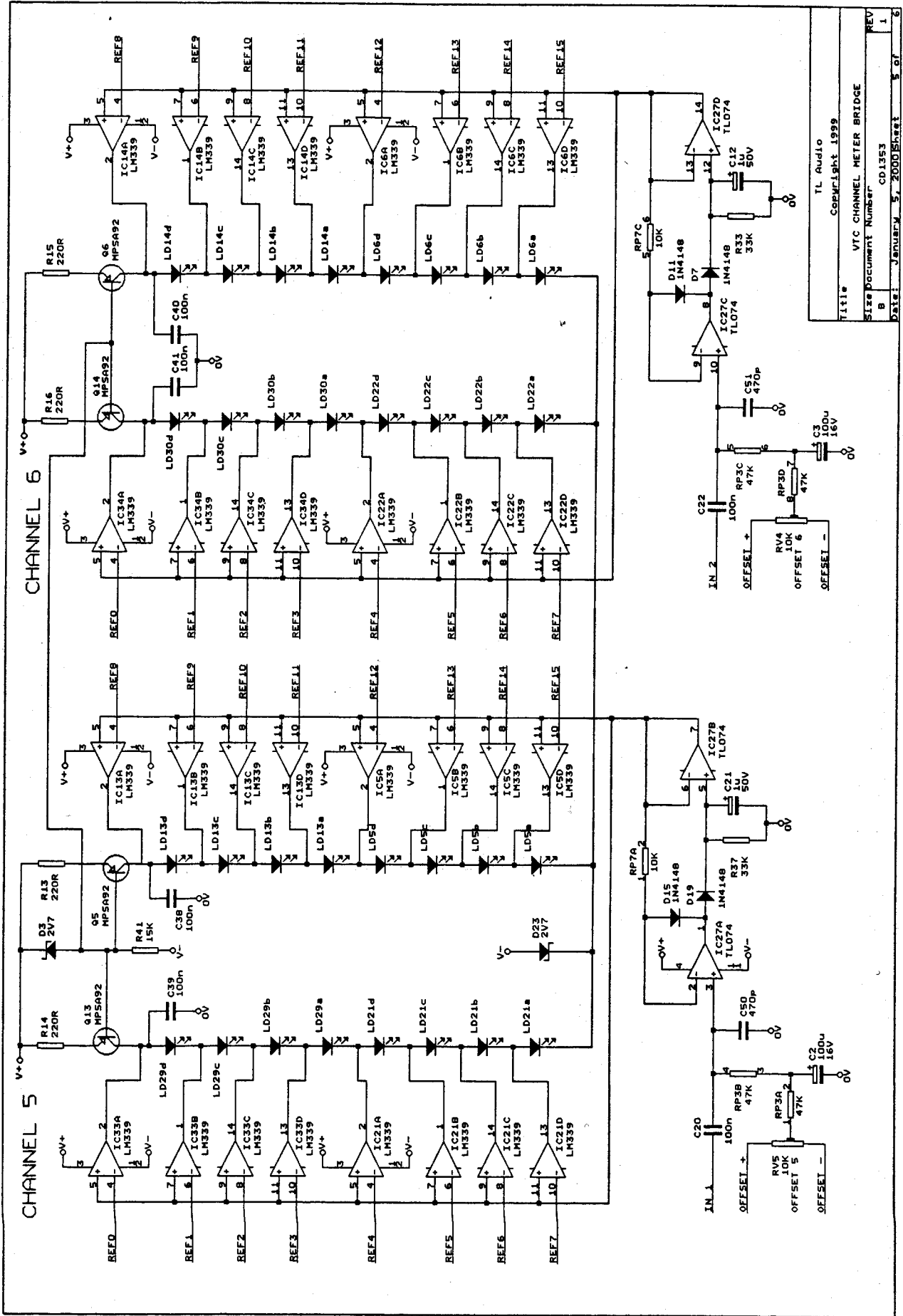


| | | |
|-------|--|--------------------------|
| Title | | TL Audio |
| Size | | CDPWright 1999 |
| Date | | VTC CHANNEL METER BRIDGE |
| Sheet | | CD1353 |
| REV | | 1 |
| REV | | 1 |
| Date | | JULY 26, 2000 |
| Sheet | | 2 of 6 |



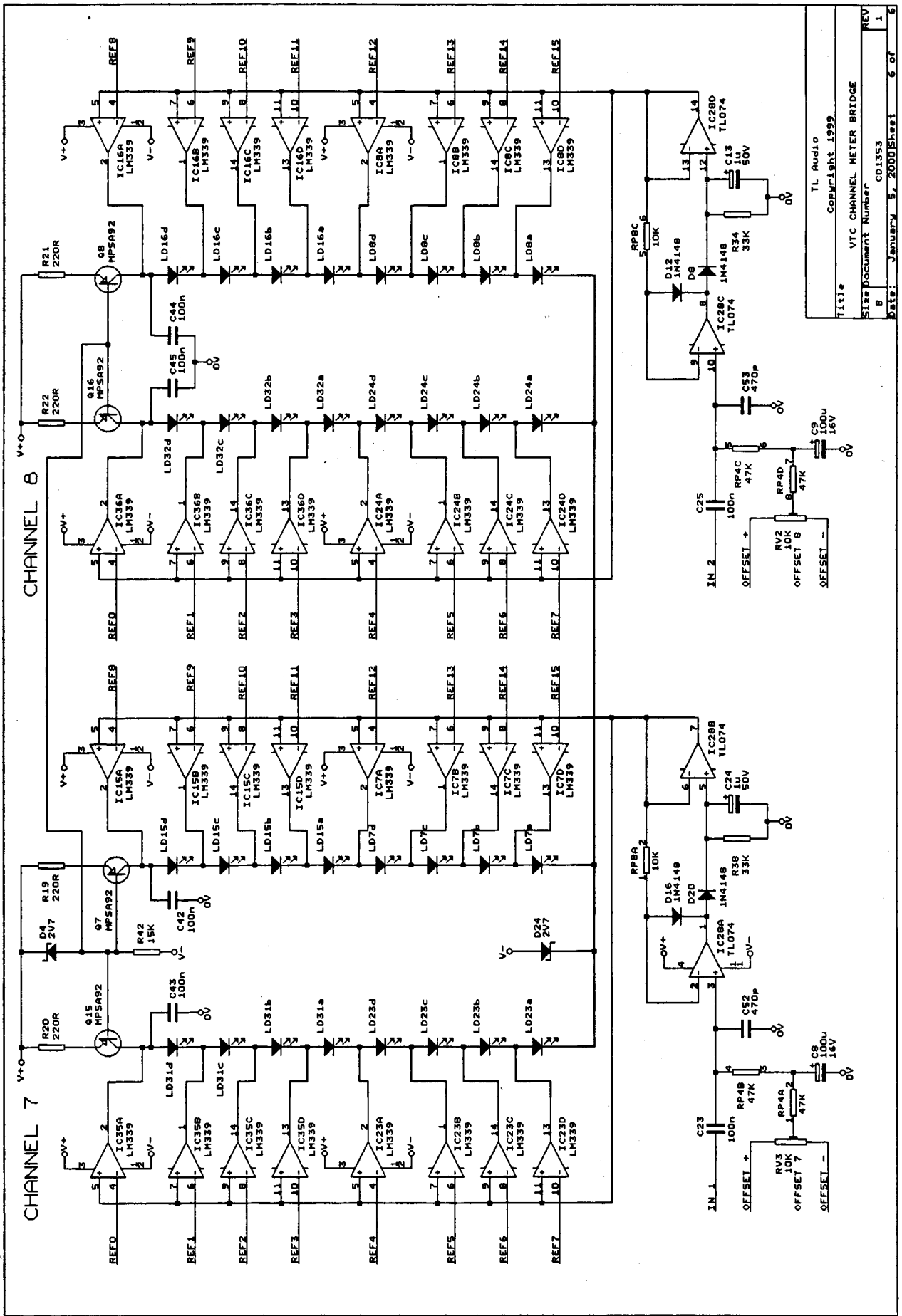


TL Audio
 Copyright 1999
 Title: VTC CHANNEL METER BRIDGE
 Size Document Number: CD1353
 B
 REV 1
 Date: January 5, 2000 Sheet 4 of 6



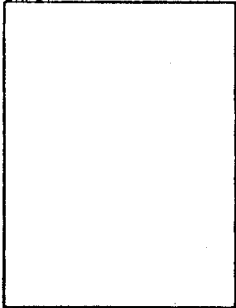
Title: VTC Channel Meter Bridge
 Size Document Number: CD1353
 Date: January 5, 2000
 Rev: 1
 Page: 5 of 6

TL Audio
 Copyright 1999

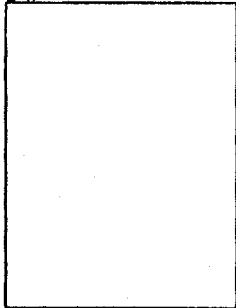


| | | |
|--------------------------|--|--|
| Title | | |
| TL Audio | | |
| Copyright 1999 | | |
| Size Document Number | | |
| VTC CHANNEL METER BRIDGE | | |
| REV | | |
| 1 | | |
| Date: January 5, 2000 | | |
| Sheet 6 of 6 | | |

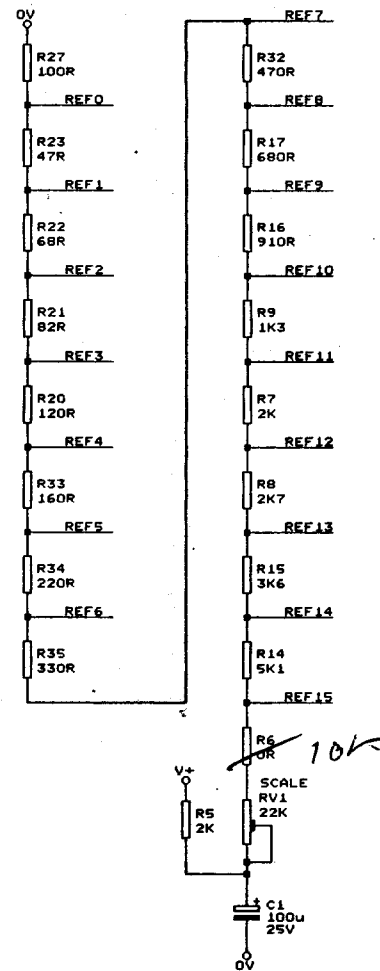
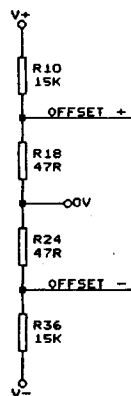
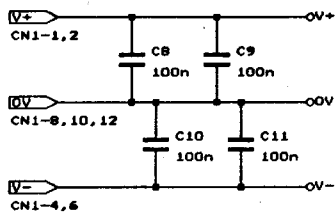
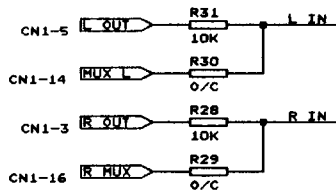
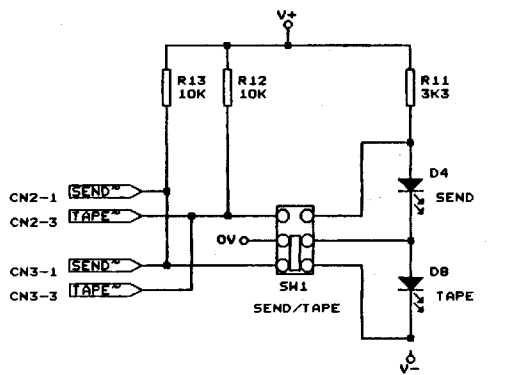
INPUT



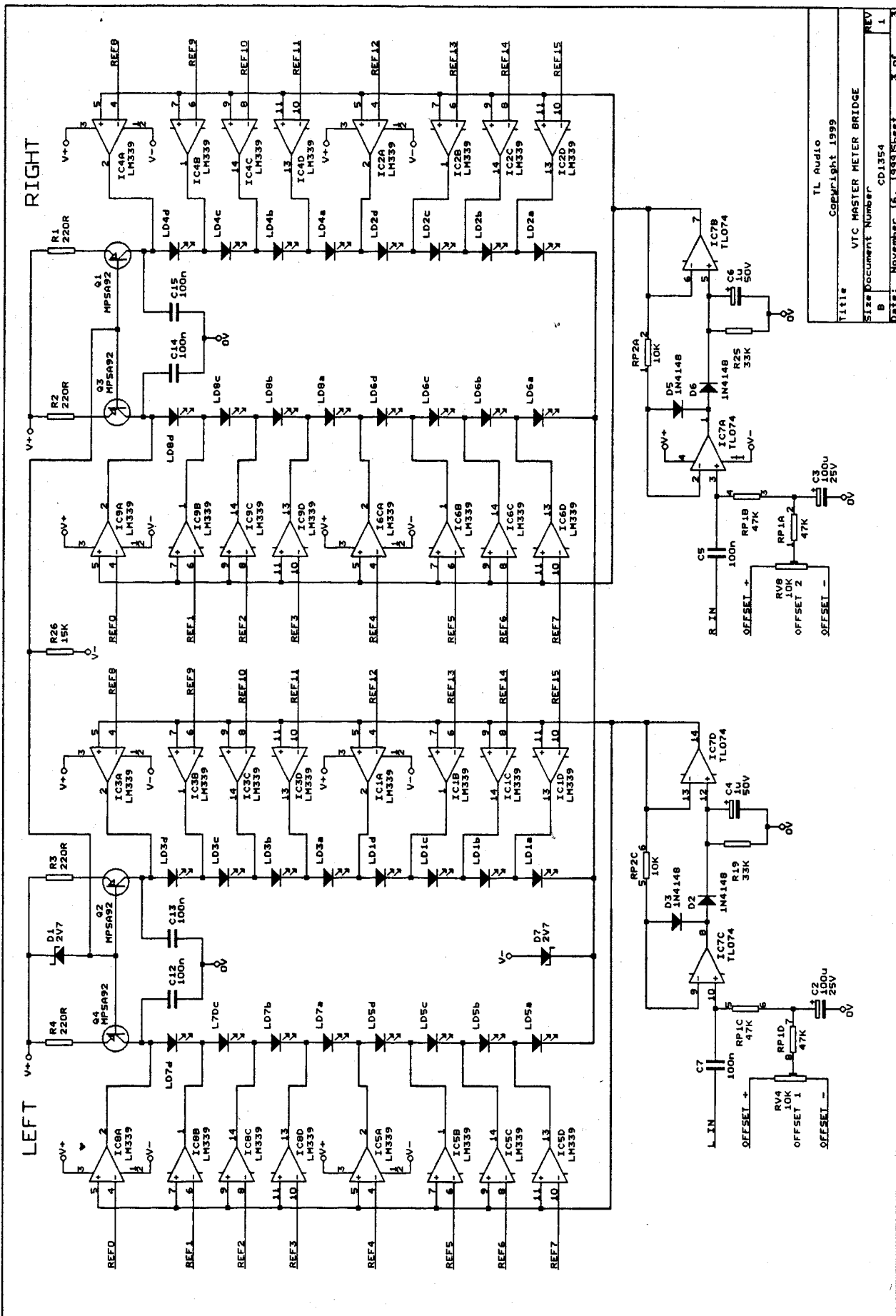
L+R



| | |
|-------------------------|-------------------|
| TL Audio | |
| Copyright 1999 | |
| Title | |
| VTC MASTER METER BRIDGE | |
| Size | Document Number |
| B | CD1354 |
| Date: | November 16, 1999 |
| Sheet | 1 of 3 |
| REV | 1 |

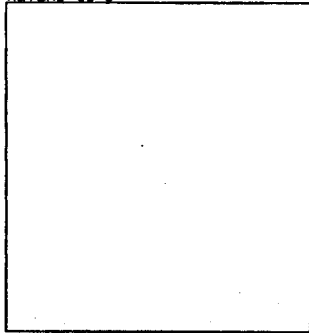


| | |
|-------------------------------|--------------|
| TL Audio | |
| Copyright 1999 | |
| Title VTC MASTER METER BRIDGE | |
| Size Document Number | REV |
| B CD1354 | 1 |
| Date: November 16, 1999 | Sheet 2 of 3 |

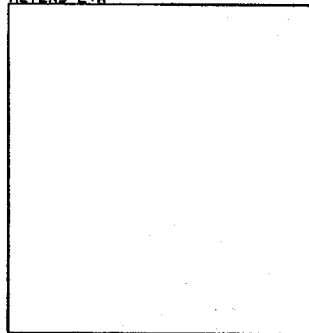


Title TL Audio
 Copyright 1999
 Size Document Number VTC MASTER METER BRIDGE
 B CD1354
 Date: November 16, 1999 Sheet 3 of 3
 REV 1

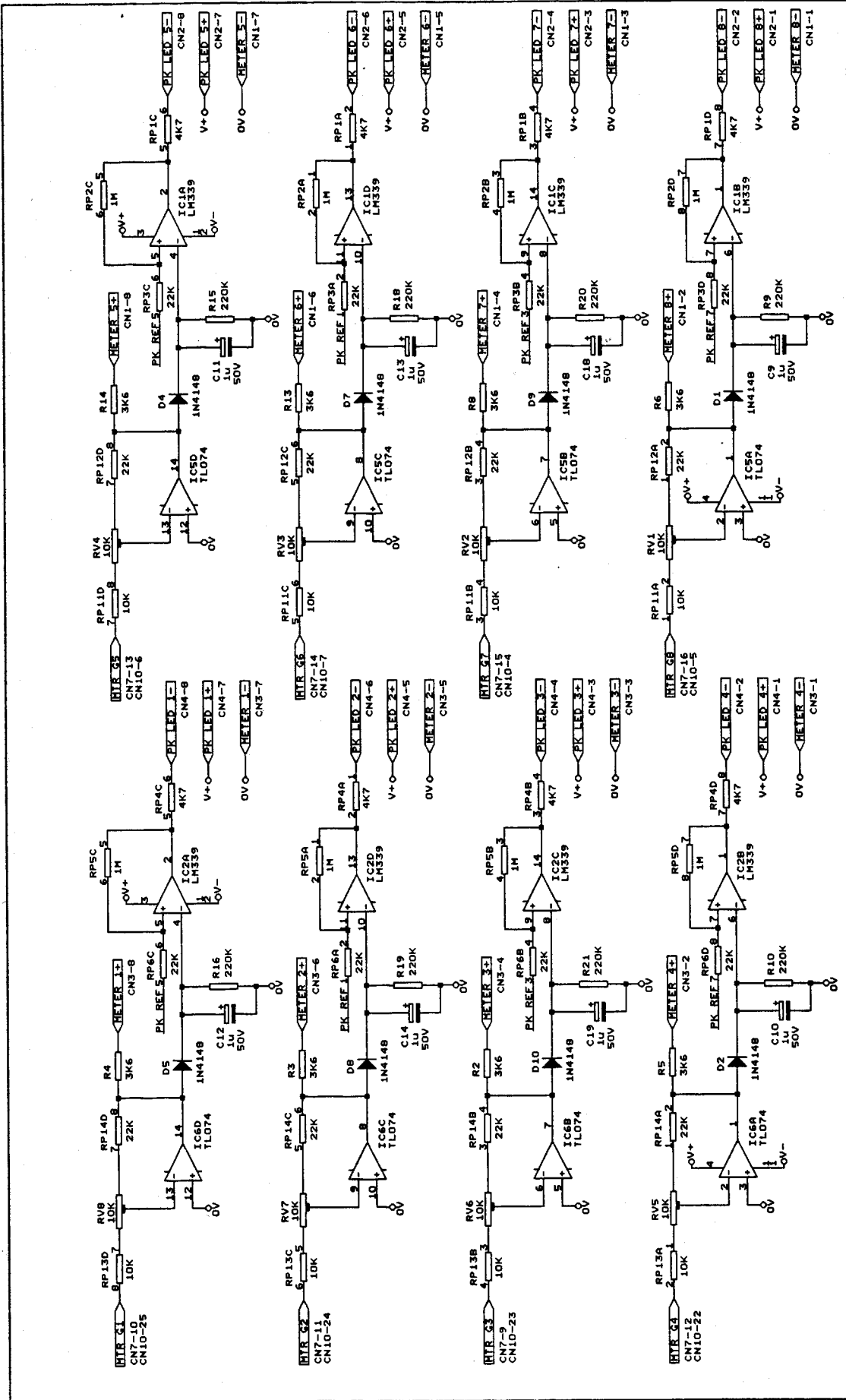
METERS G1-R



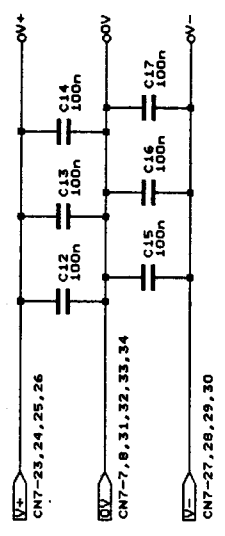
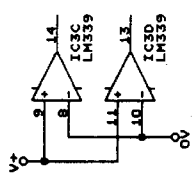
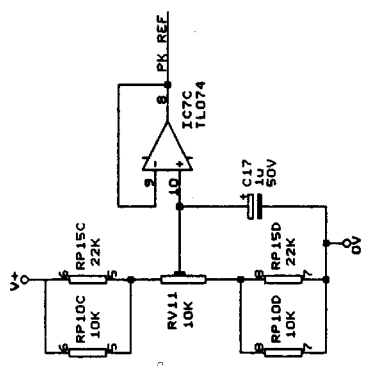
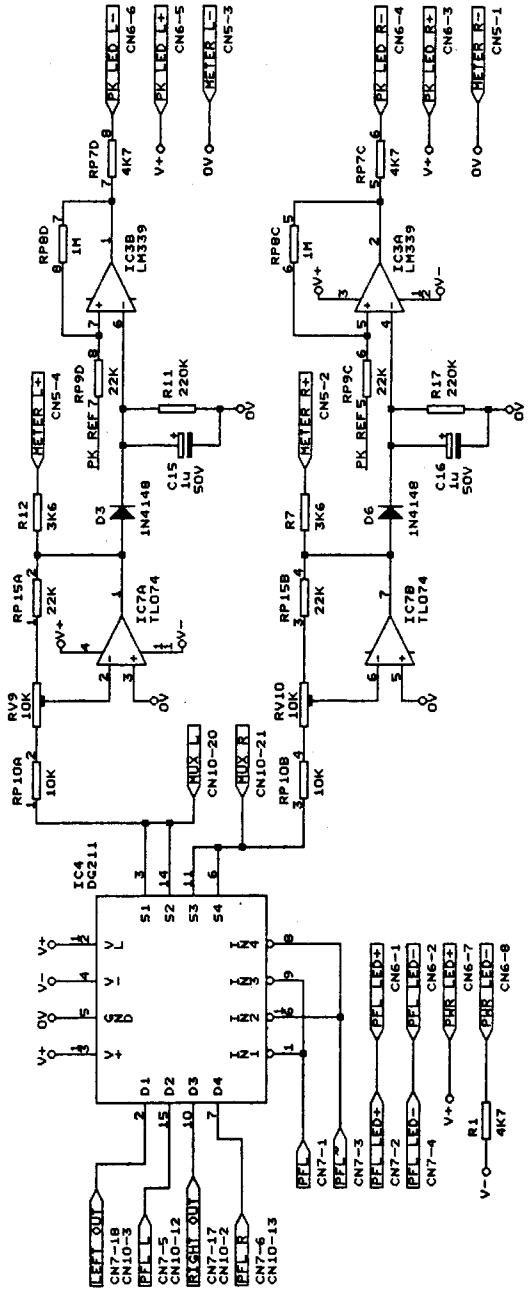
METERS L+R



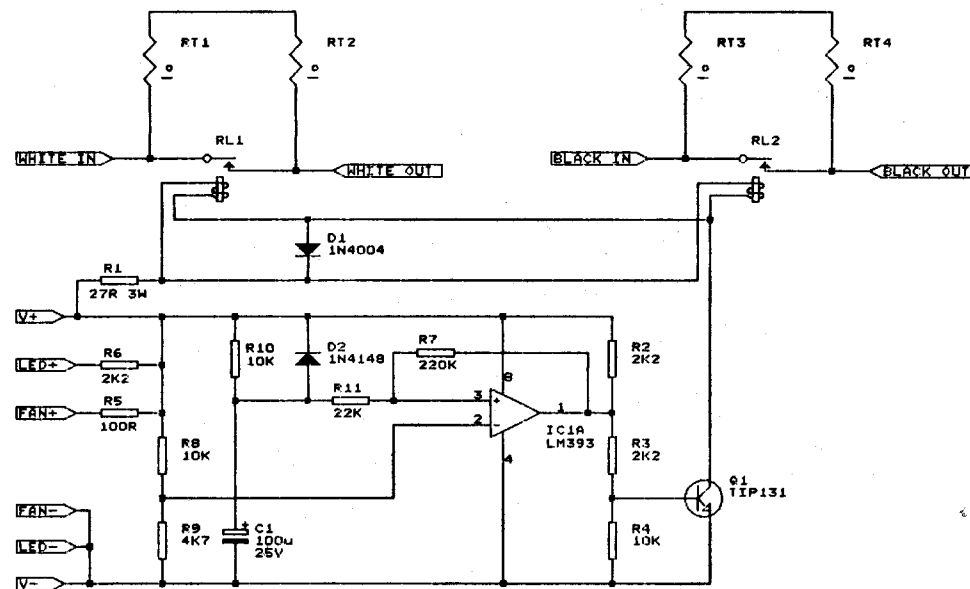
| | |
|---------------------|-----------------|
| TL Audio | |
| Copyright 1998 | |
| Title | |
| VTC METER INTERFACE | |
| Size | Document Number |
| B | CD1344 |
| Date: | April 21, 1998 |
| Sheet | 1 of 3 |
| REV | 1 |



| | |
|---------------------|----------------------|
| TL Audio | |
| COPMR19A1 1998 | |
| Title | |
| VTC METER INTERFACE | |
| Size | Document Number |
| B | CD1344 |
| REV | Date: APR11 29, 1998 |
| 1 | Sheet 2 of 3 |

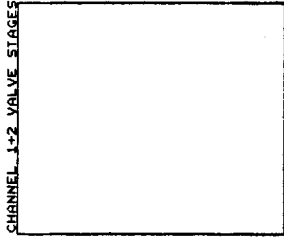


| | |
|----------------------|---------------------|
| Title | TL Audio |
| Copyright | 1998 |
| Size Document Number | VTC METER INTERFACE |
| Size Document Number | CD1344 |
| REV | 1 |
| Date | April 29, 1998 |
| Sheet | 3 of 3 |

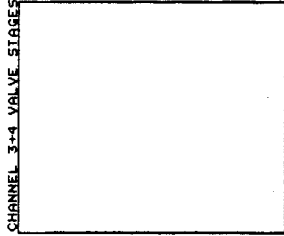


| | | |
|--------------------------|-----------------|--------------|
| TL Audio | | |
| Copyright 2000 | | |
| Title VTC PSU SOFT START | | |
| Size | Document Number | REV |
| B | CD1363 | 3 |
| Date: | June 23, 2000 | Sheet 1 of 1 |

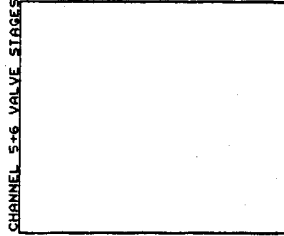
CHANNEL 1+2 VALVE STAGES



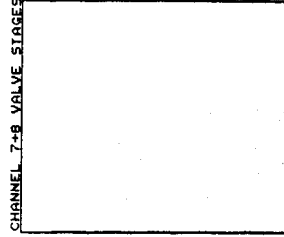
CHANNEL 3+4 VALVE STAGES



CHANNEL 5+6 VALVE STAGES

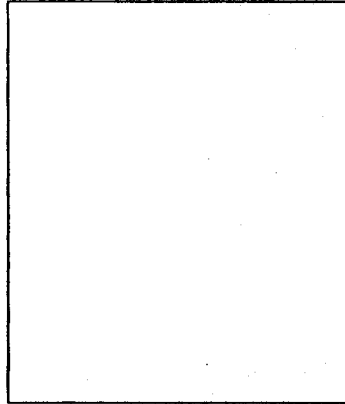


CHANNEL 7+8 VALVE STAGES

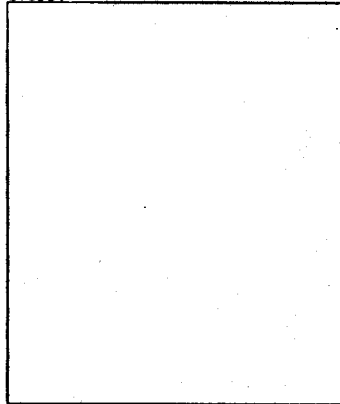


TL Audio
COPYRIGHT 2000
Title VTC MASTER VALVE STAGES
Size Document Number CD1345
REV B
Date January 11, 2000 Sheet 1 of 1

CR SELECT



STUDIO



NOTES FOR QUALIFIED SERVICE ENGINEERS

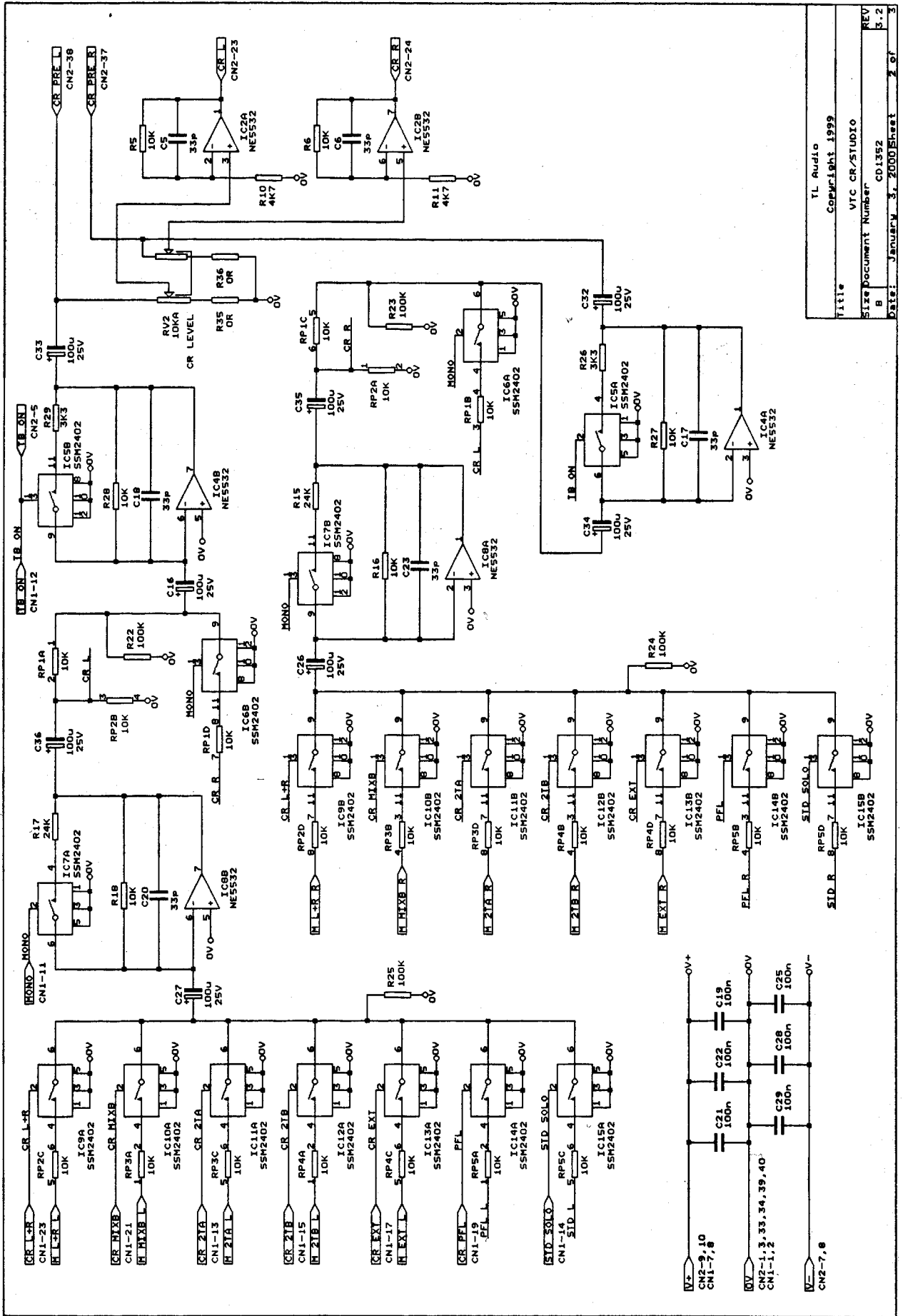
The highest voltage existing on this PCB under normal working circumstances is +/-15V DC.
The highest voltage existing within the mixing console under normal working circumstances is 250V DC.
Power Supply voltages may take several minutes to decay after the unit is switched off.

CARE MUST BE TAKEN WHEN FAULT FINDING.

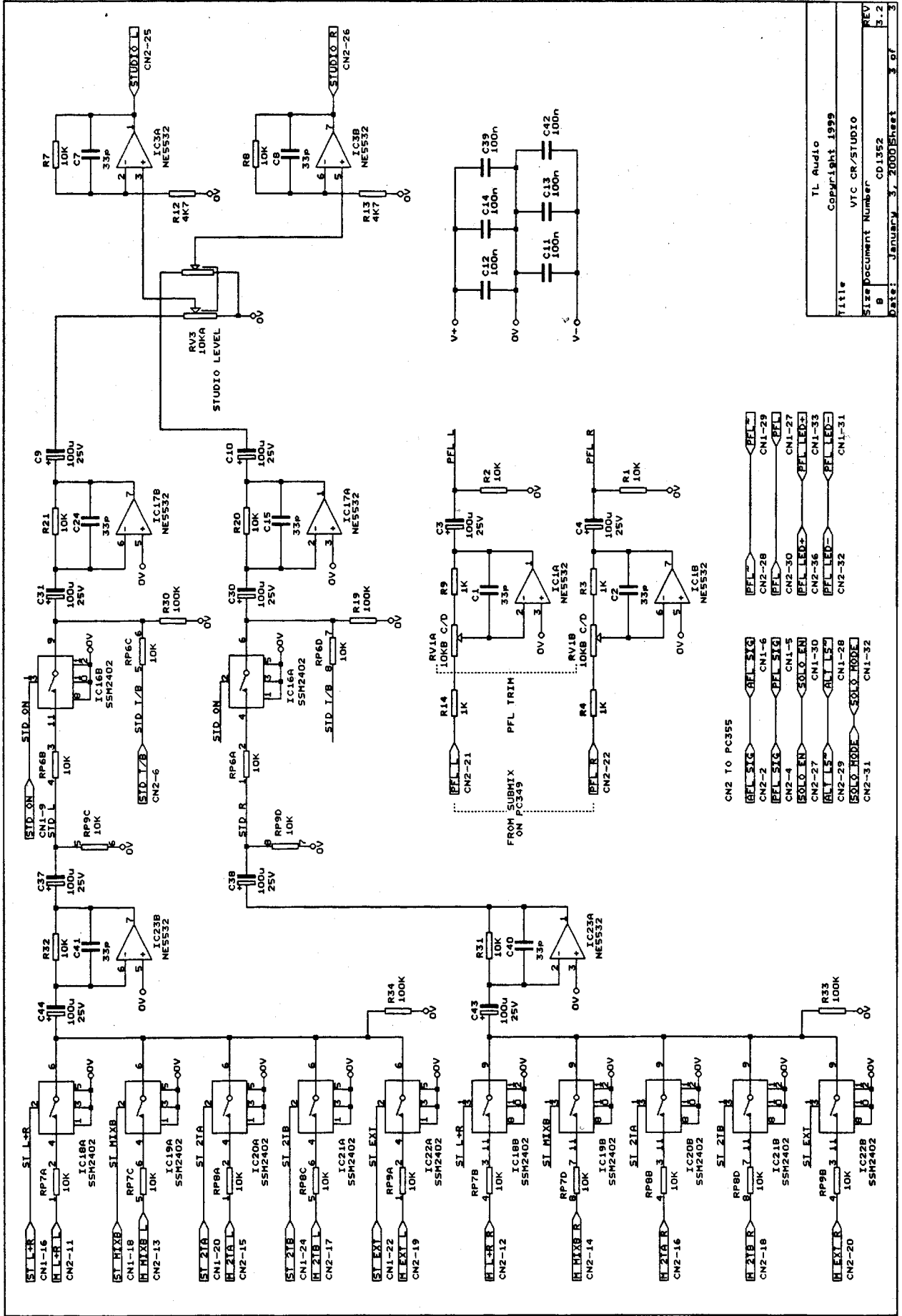
DO NOT handle the PCB while the unit is connected to the Mains Supply.
DO NOT use screws with different type or length than those currently fitted.
DO NOT remove EARTH wires under any circumstances.
REPLACE all covers removed during servicing.
During reassembly DO NOT allow wires to be trapped.

IF IN DOUBT CONSULT SUPPLIER.

| | |
|-----------------------|---------------|
| TL Audio | |
| Copyright 1999 | |
| Title | VTC CR/STUDIO |
| Size Document Number | REV |
| B CD1352 | 3.2 |
| Date: January 3, 2000 | Sheet 1 of 3 |

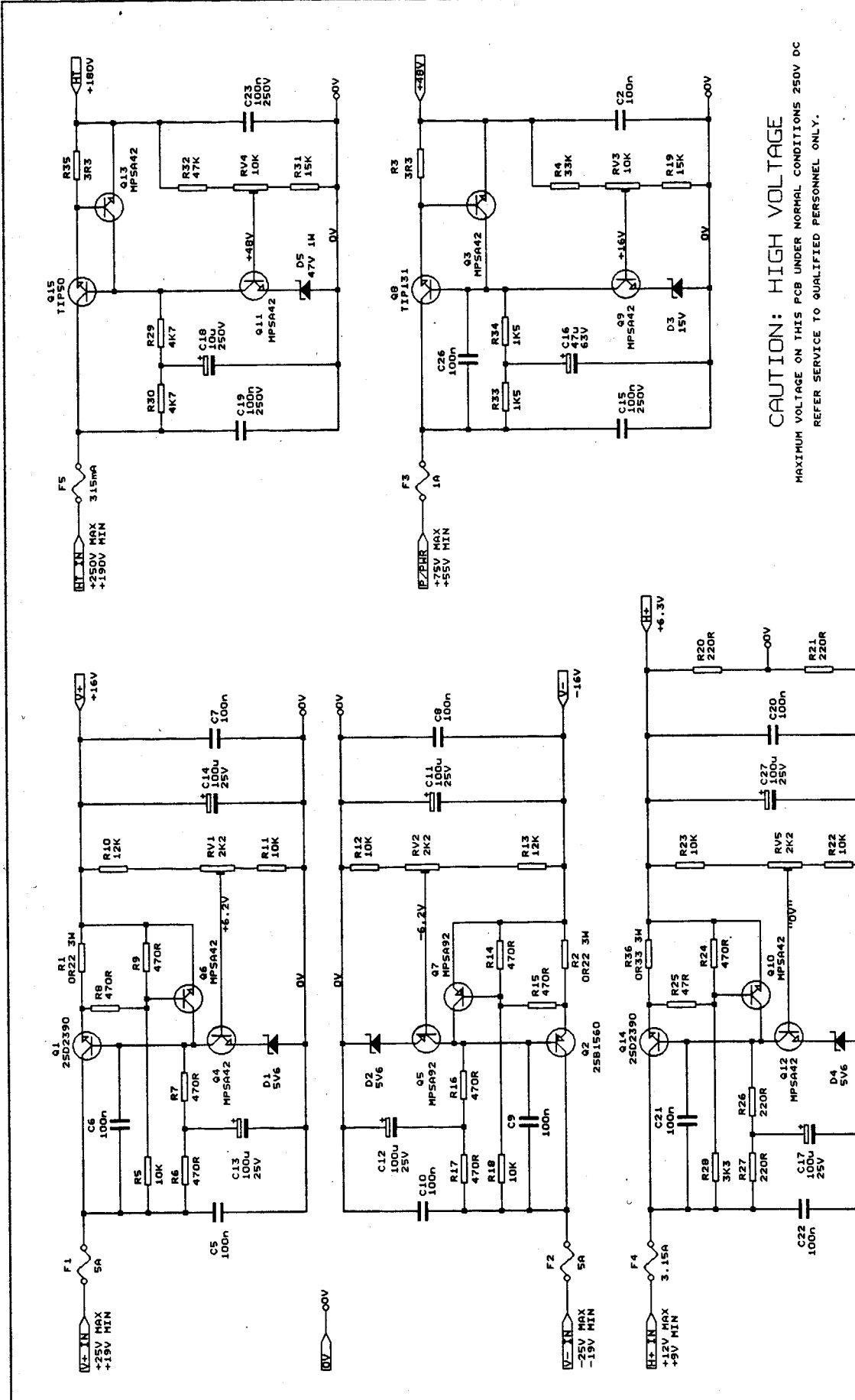


| | |
|----------------------|------------------|
| Title | TL Audio |
| Copyright | 1999 |
| Size | B |
| Size Document Number | VTC CR/STUDIO |
| Date | January 31, 2000 |
| Sheet | 2 of 3 |
| REV | 3.2 |



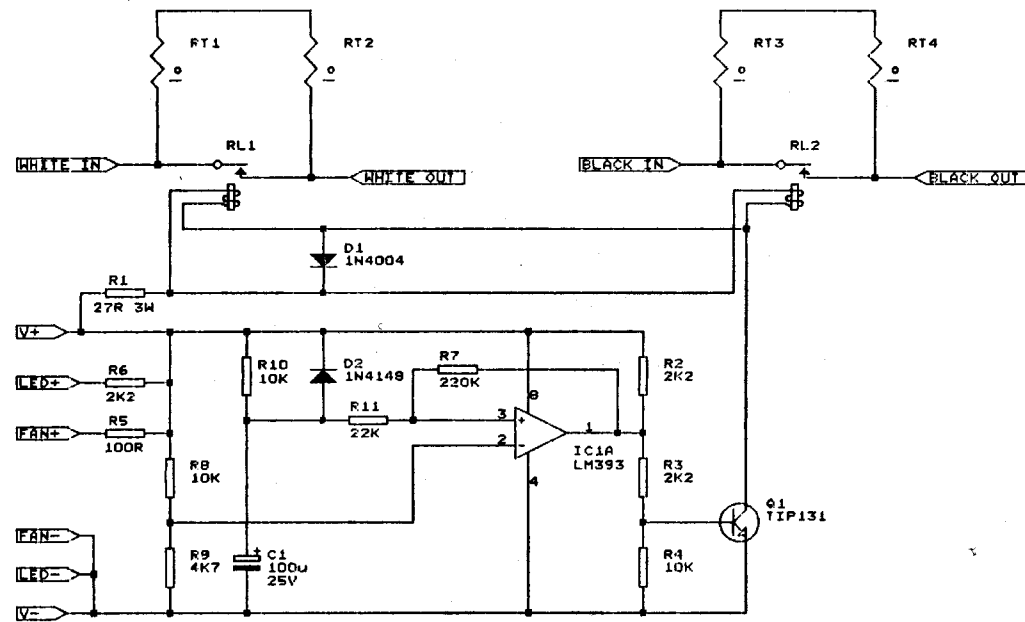
- CN2 TO PC355
- <PFL SIG> CN1-6
 - <PFL SIG> CN1-28
 - <PFL SIG> CN1-29
 - <PFL SIG> CN1-5
 - <PFL SIG> CN1-27
 - <SOLO EN> CN1-30
 - <SOLO EN> CN1-33
 - <PFL LED> CN1-34
 - <PFL LED> CN1-35
 - <SOLO MODE> CN1-28
 - <SOLO MODE> CN1-31
 - <SOLO MODE> CN1-32

| | | |
|----------------|----------------------|-----------------|
| TL Audio | REV | 3 |
| Copyright 1999 | Size Document Number | CD1352 |
| VTC CR/STUDIO | Date: | January 3, 2000 |
| Sheet | 3 of | 3 |

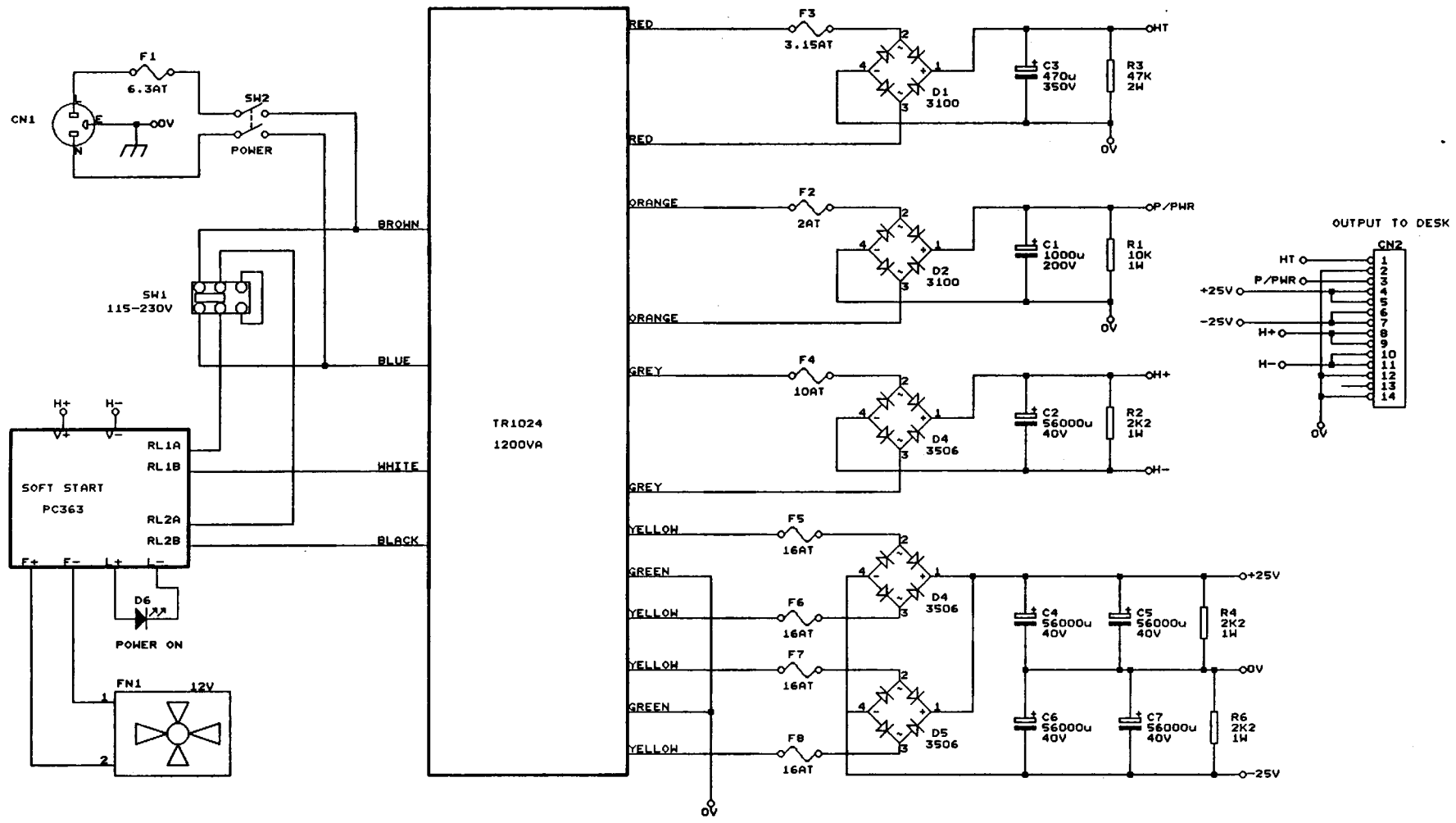


CAUTION: HIGH VOLTAGE
 MAXIMUM VOLTAGE ON THIS PCB UNDER NORMAL CONDITIONS 250V DC
 REFER SERVICE TO QUALIFIED PERSONNEL ONLY.

| |
|--------------------------------|
| TL Audio Copyright 1999 |
| VTC REGULATORS |
| Size Document Number CD1357 |
| REV 3.2 |
| DATE: JULY 19, 1999 |
| Sheet 1 of 1 |



| | | |
|--------------------|-----------------|--------------|
| TL Audio | | |
| Copyright 2000 | | |
| Title | | |
| VTC PSU SOFT START | | |
| Size | Document Number | REV |
| B | CD1363 | 3 |
| Date: | June 23, 2000 | Sheet 1 of 1 |



CAUTION: HIGH VOLTAGE. REFER SERVICE TO QUALIFIED PERSONNEL.

CAPACITORS MAY TAKE SEVERAL MINUTES TO DISCHARGE
AFTER PSU IS SWITCHED OFF.

| | |
|----------------|-----------------------------|
| TL Audio | |
| Copyright 2003 | |
| Title | VTC PSU |
| Size | Document Number |
| B | CD1136 |
| Date: | March 10, 2003 Sheet 1 of 1 |
| REV | 1 |