

- Bogen PT T-362-3
- 1 black on/off
  - 2 pin 6 rectifier
  - 3 white wire on/off
  - 4 ground
  - 5 white w/orange pin 2 V5
  - 6 pin 4 rectifier
  - 7 6.3v heater centertap?
  - 8 pin 2 rectifier heater red wire
  - 9 brown to pin 7 V5
  - 10 pin 8 rectifier & to O.T. T-2106-1

V1	12AX7	pin1 135w	135 v	v
V2	12AX7	pin1 275v	pin6 128v	
V3	12AX7	pin1 136v	pin6 185v	
V4	6V6	pin3 405v	pin4 396v	
V5	6V6	pin3 405v	pin4 396v	

## Texas Blues Special

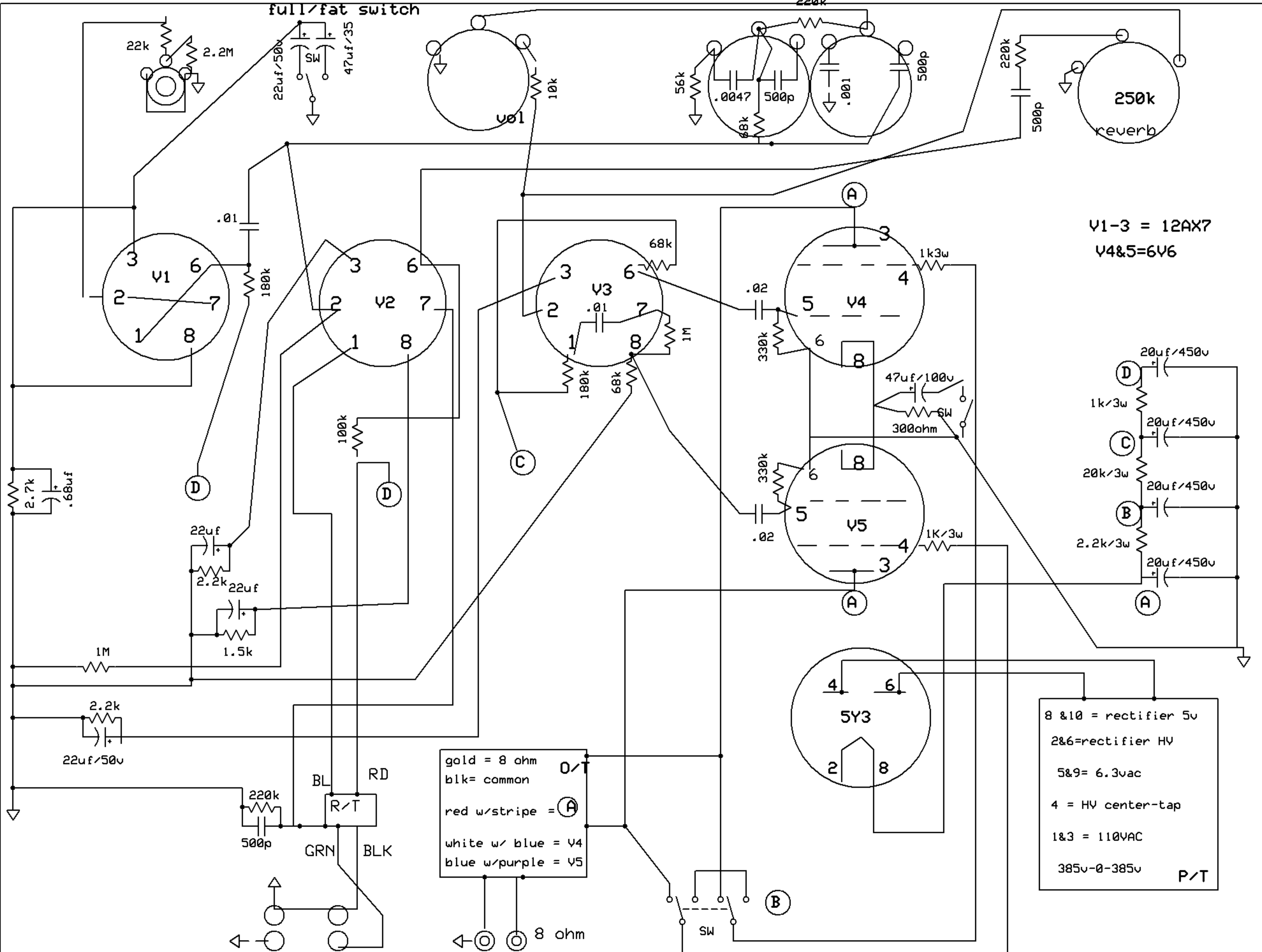
### Bogen DB-110 conversion

40ma/per tube

SPDT mini toggle center OFF

baxandall tone stack  
dual gang tone pot

full/fat switch



V1-3 = 12AX7  
V4&5=6V6

8 & 10 = rectifier 5v  
2 & 6 = rectifier HV  
5 & 9 = 6.3vac  
4 = HV center-tap  
1 & 3 = 110VAC  
385v-0-385v P/T

gold = 8 ohm  
blk = common  
red w/ stripe = (A)  
white w/ blue = V4  
blue w/ purple = V5

8 ohm

P/T