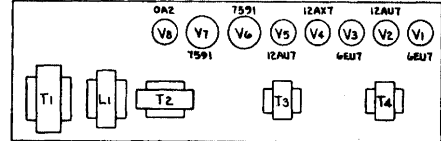
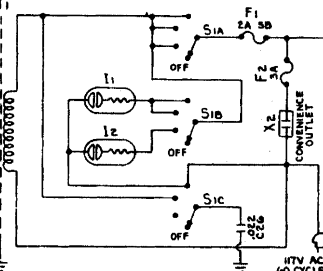
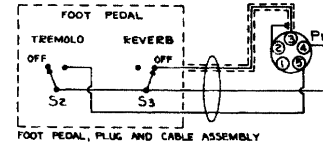
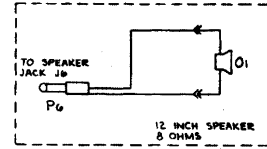
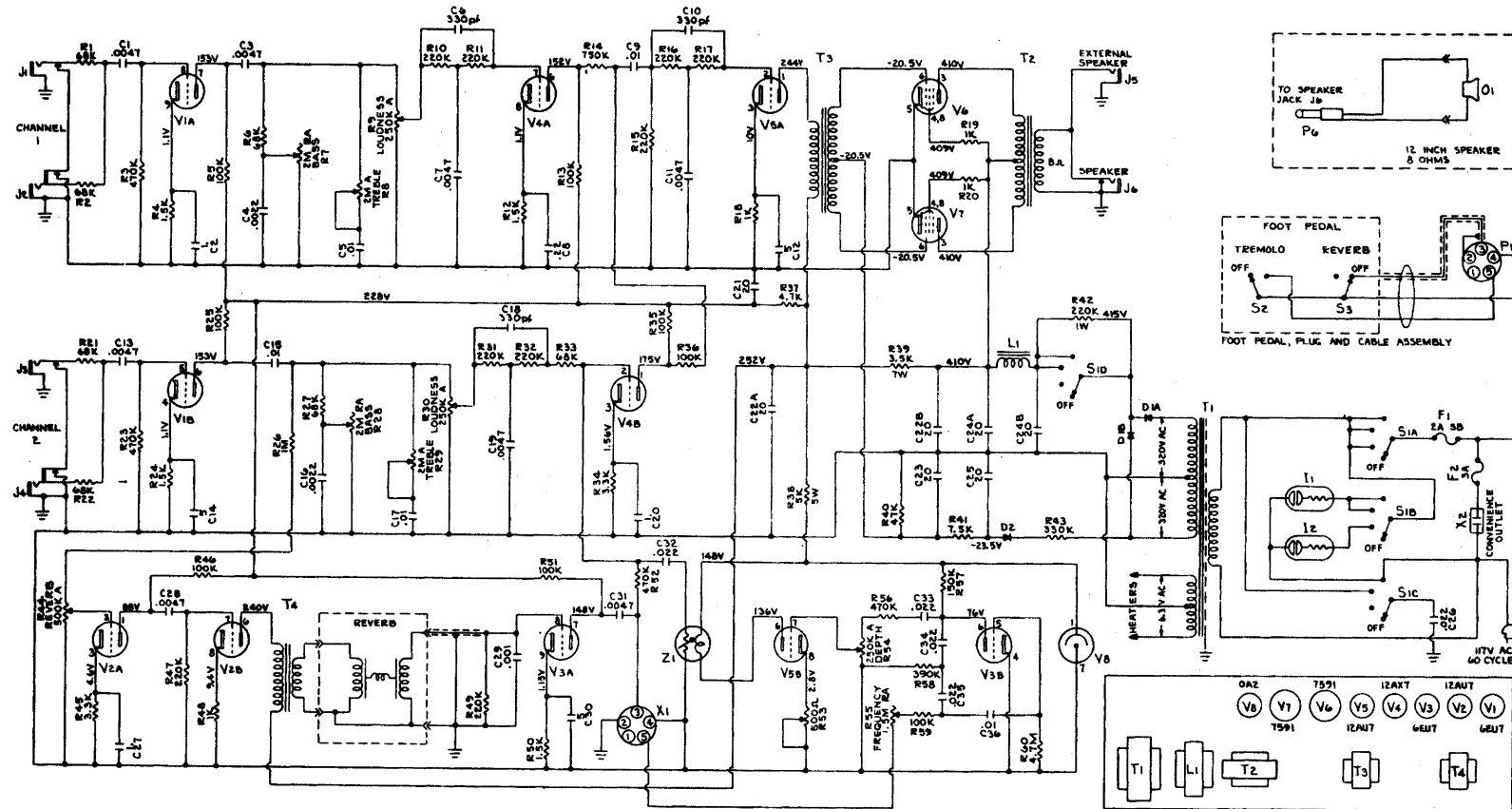


EA16 RVT



- |            |                             |                |                              |
|------------|-----------------------------|----------------|------------------------------|
| T1         | Power Transformer           | TF-104P        | D1A,B Diode - 1200 PIV       |
| T2         | Output Transformer          | TF-P6417       | D2 Diode - 600 PIV           |
| T3         | PP Driver Transformer       | TF-100ID-1     | CN-78PCG-5 Foot Pedal Socket |
| T4         | Reverb Transformer          | TF-E6400       | CN-303 AC Convenience Cutlet |
| L1         | Filter Choke                | TF-3021H       |                              |
| S1A,B,C,D  | Switch - off, standby-on-on | SW-78A-1       |                              |
| S2,S3      | Switches - SPST             | SW-82403       |                              |
| I1         | PL-37R Pilot Light (Red)    |                |                              |
| I2         | PL-38A Pilot Light (Amber)  |                |                              |
| R9,R30,R54 | Control - 250K Audio        | CBA-4008       |                              |
| R8,R29     | Control - 7 meg, audio      | CBA-811-3702-1 |                              |
| R4         | Control - 500K Audio        | CBA-4007       |                              |
| R55        | Control - 1.5 meg, RA       | CBA-811-3711-1 |                              |
| R7,R28     | Control - 1 meg, audio      | CBA-811-3709-1 |                              |