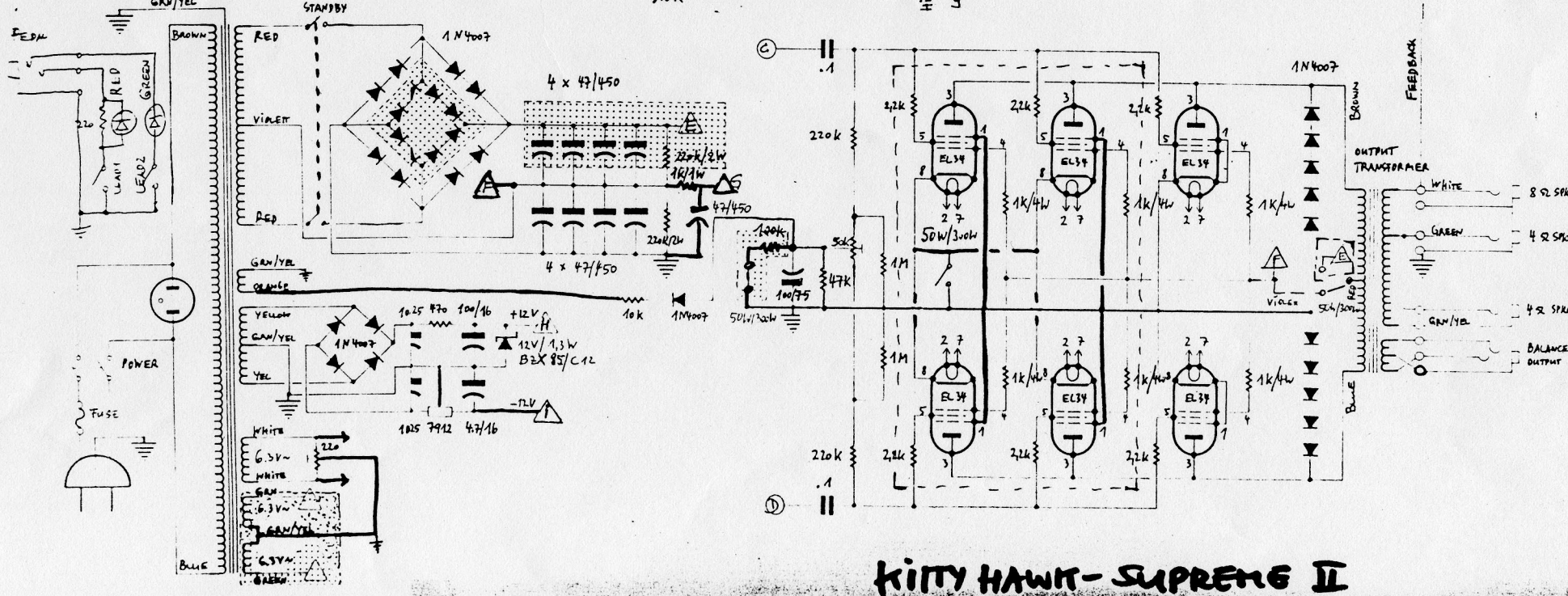
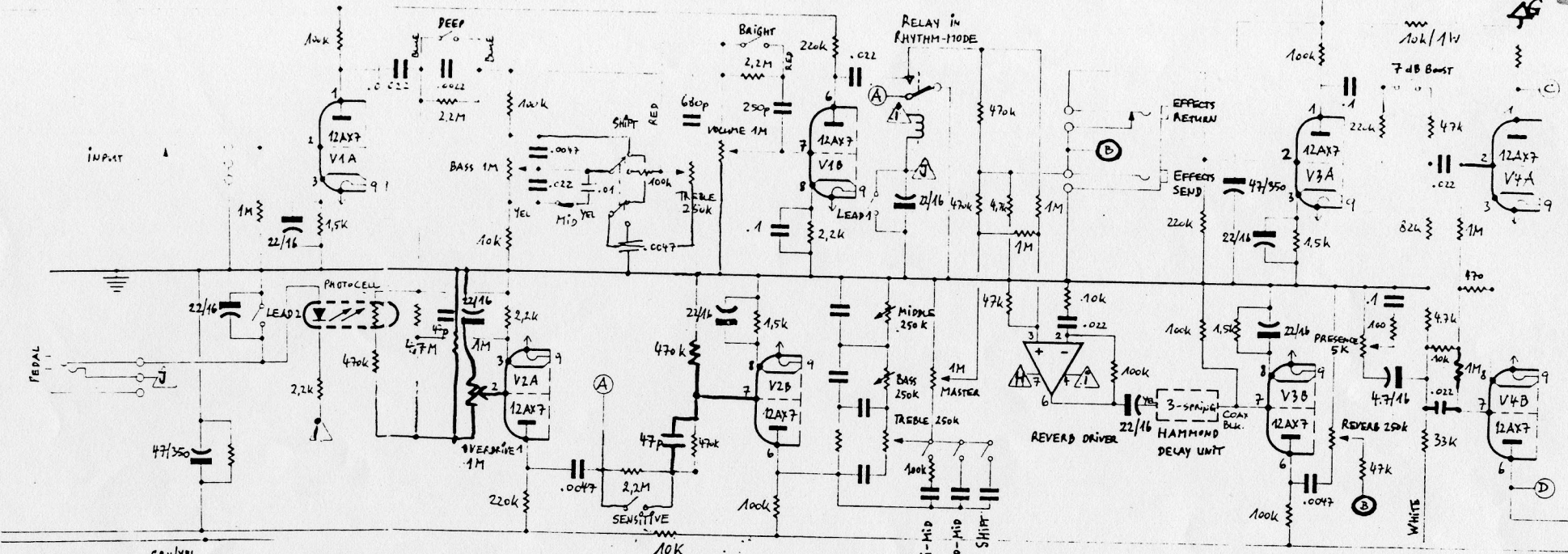


11-V6: 12AX7
 V7, V8: 6CA7 STR416
 V9, V10: 6L6GC STR415
 21: 2N5524
 ACI-TR: VTL5C1

KITTY HAWK
 SUPREME SERIES I
 CIRCUIT DIAGRAM

VOLTAGES MEASURED
 MAY BE 10% TOL.

©KITTY HAWK ©ROY



KITTY HAWK - SUPREME II