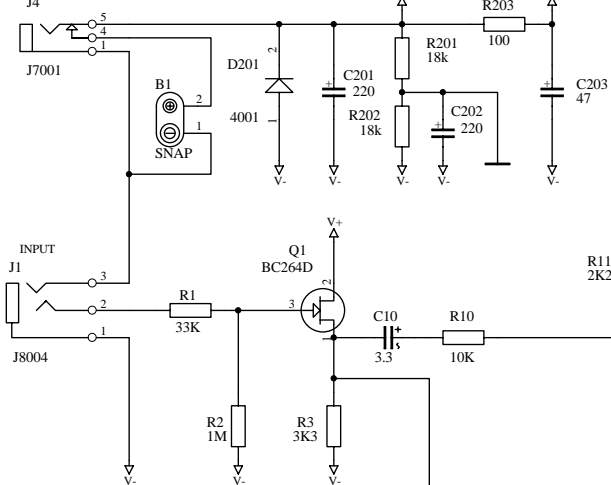
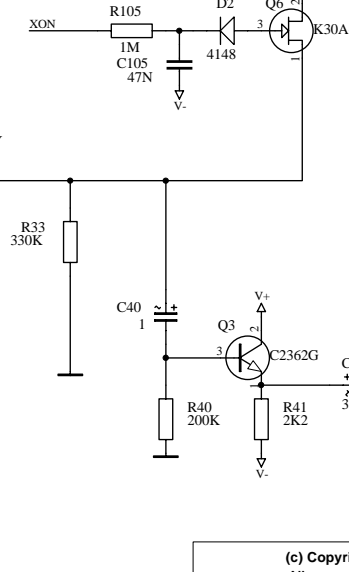
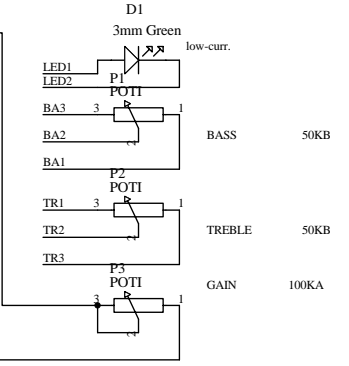
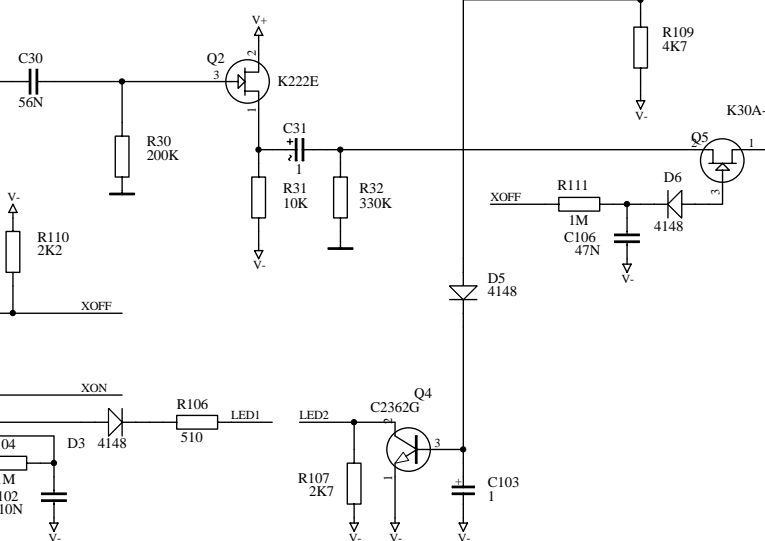
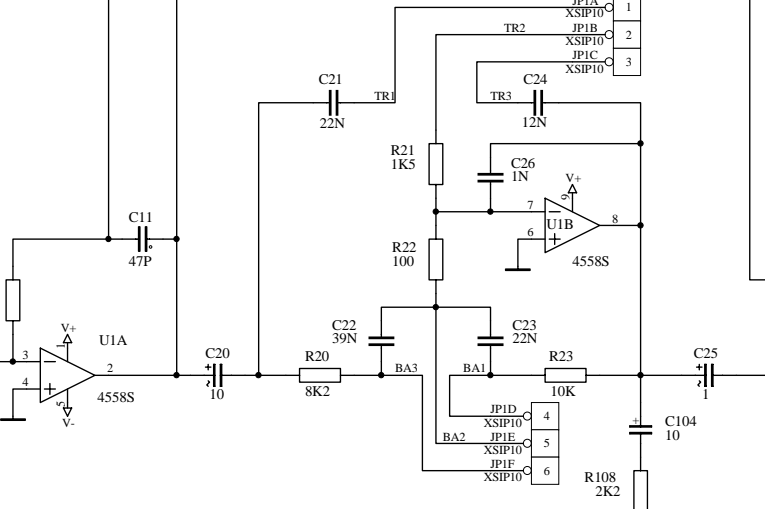
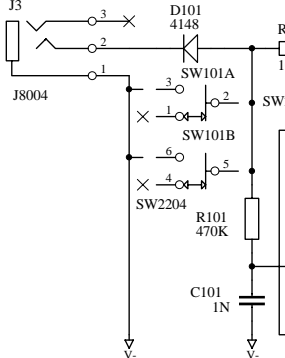


EXTERNAL POWER SUPPLY
J4



BYPASS
J3



(c) Copyright 1997 - ALL RIGHTS RESERVED
All unspecified capacitors in uF, resistors carbon 5%

MS
HAMBURG

Nobels Electronics
Barnerstrasse 42, 22765 Hamburg, Germany
<http://www.nobels.com> - email: info@nobels.com

Title: **CIRCUIT DIAGRAM**

Number: **PREAMP-BOOSTER / PRE-1** Size: **A4** Rev: **2**

Date: **21-Jan-2000** Time: **15:46:10** Sheet **1** of **1**

File: **R:\SPROPEDSIDSGN\PRE-1\PRE1R1.SCH**