

1. ALL RESISTORS IN OHMS. ALL RESISTORS 0.25V UNLESS MARKED OTHERWISE.
2. ALL CAPACITORS IN MICROFARADS UNLESS OTHER PREFIX MARKED. THEN REPLACE PREFIX (CHECK IN UNIT MICROFARAD) WITH MARKED PREFIX. ALL CAPACITORS 25V UNIFORM VOLTAGE RATING UNLESS MARKED OTHERWISE.
3. ALL VOLTAGES IN VOLTS.
4. ALL POTENTIOMETERS, R99 TO R112, 100K.
5. DIODES, D1 TO D8, 1N4158, 1N4148, OR 1N914.
6. ZENER DIODE, D15, 1N5244/374V.
7. TRANSISTORS Q1, Q3, Q16, 2N5088 (PNP TYPE).
8. TRANSISTORS Q2, Q18, Q20, Q23, MPS436 (PNP TYPE).
9. TRANSISTORS Q17, Q19, Q21, Q22, 2N5086 (PNP TYPE).
10. IC'S Q4 TO Q11, LM4558.
11. IC Q12, M5307.
12. IC Q13, M5310.
13. IC'S Q14, Q15, CD4066.
14. LAST REFERENCED DESIGNATION ON SCHEMATIC: R146, C56, Q23, D15, S5, J10, P12.

CHDS SWITCH ASSIGNMENT

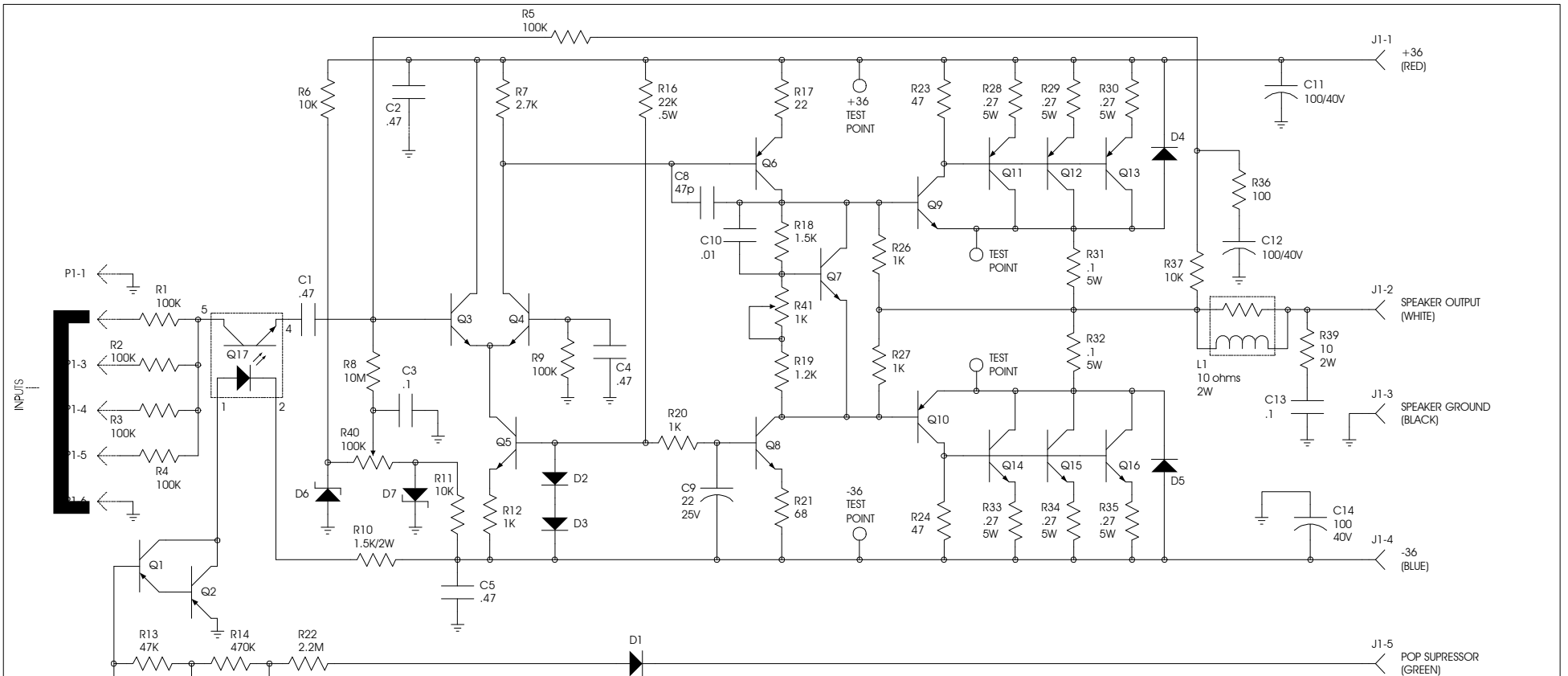
	SIGNAL	I.C.#	INPUT	CONTROL (#?)
CH1 (Q17)	A1		4	5
	A2	Q14	8	6
	A3		1	13
CH2 (Q19)	B1		4	5
	B2	Q15	11	12
	B3		8	6
CHORUS (Q21)	C	Q15	1	13
REVERB (Q22)	D	Q14	11	12

ALL OUTPUTS GROUNDED. OUTPUT PINS 2, 3, 9, AND 10.

Rickenbacker International Corp.  
3895 S. Main Street  
Santa Ana, Ca. 92707  
Tel: 714-545-5574 Fax: 714-754-0135

SCHEMATIC, PREAMP RG90, RG180

SCALE	NA	CHECKED BY	DRAWN BY
DATE	1/16/89	K. MASCARENHAS	J. HALL
SIZE	B	DRAWING NO 19328	



1. ALL RESISTORS IN OHMS. ALL RESISTORS 0.25W UNLESS MARKED OTHERWISE.
2. ALL CAPACITORS IN MICROFARADS UNLESS OTHER PREFIX MARKED. THEN REPLACE PREFIX (MICRO) IN UNIT (MICROFARAD) WITH MARKED PREFIX. ALL CAPACITORS 25V (MINIMUM VOLTAGE RATING) UNLESS MARKED OTHERWISE.
3. ALL VOLTAGES IN VOLTS.
4. TRANSISTORS Q1, Q2: 2N5086.
5. TRANSISTORS Q3, Q4: 2N5210.
6. TRANSISTOR Q5: MPSA06.
7. TRANSISTOR Q6: MPSU56.
8. TRANSISTOR Q7: TIP41B.
9. TRANSISTOR Q8: MPSU06.
10. TRANSISTOR Q9: E15030.
11. TRANSISTOR Q10: E15031.
12. TRANSISTORS Q11, Q12, Q13: TIP36C.
13. TRANSISTORS Q14, Q15, Q16: TIP35C.
14. IC Q17: 4N28.
15. DIODE D1: 1N4148.
16. DIODES D2, D3, D4, D5: 1N4002.
17. ZENER DIODES D6, D7: 1N5244B.
18. LABEL(S) NOT USED: R25, R38.
19. LAST REFERENCED DESIGNATION ON SCHEMATIC:  
R41, C14, Q17, D7, L1, P1, J1.

**RIC** Rickenbacker International Corp.  
 3895 S. Main Street  
 Santa Ana, Ca. 92707  
 Tel: 714-545-5574 Fax: 714-754-0135

**SCHEMATIC, POWER AMP RG180, RB120**

SCALE	NA	CHECKED BY	DRAWN BY
DATE	2/27/89	J. HALL	K. MASCARENHAS
SIZE	DRAWING NO		19333
B			