

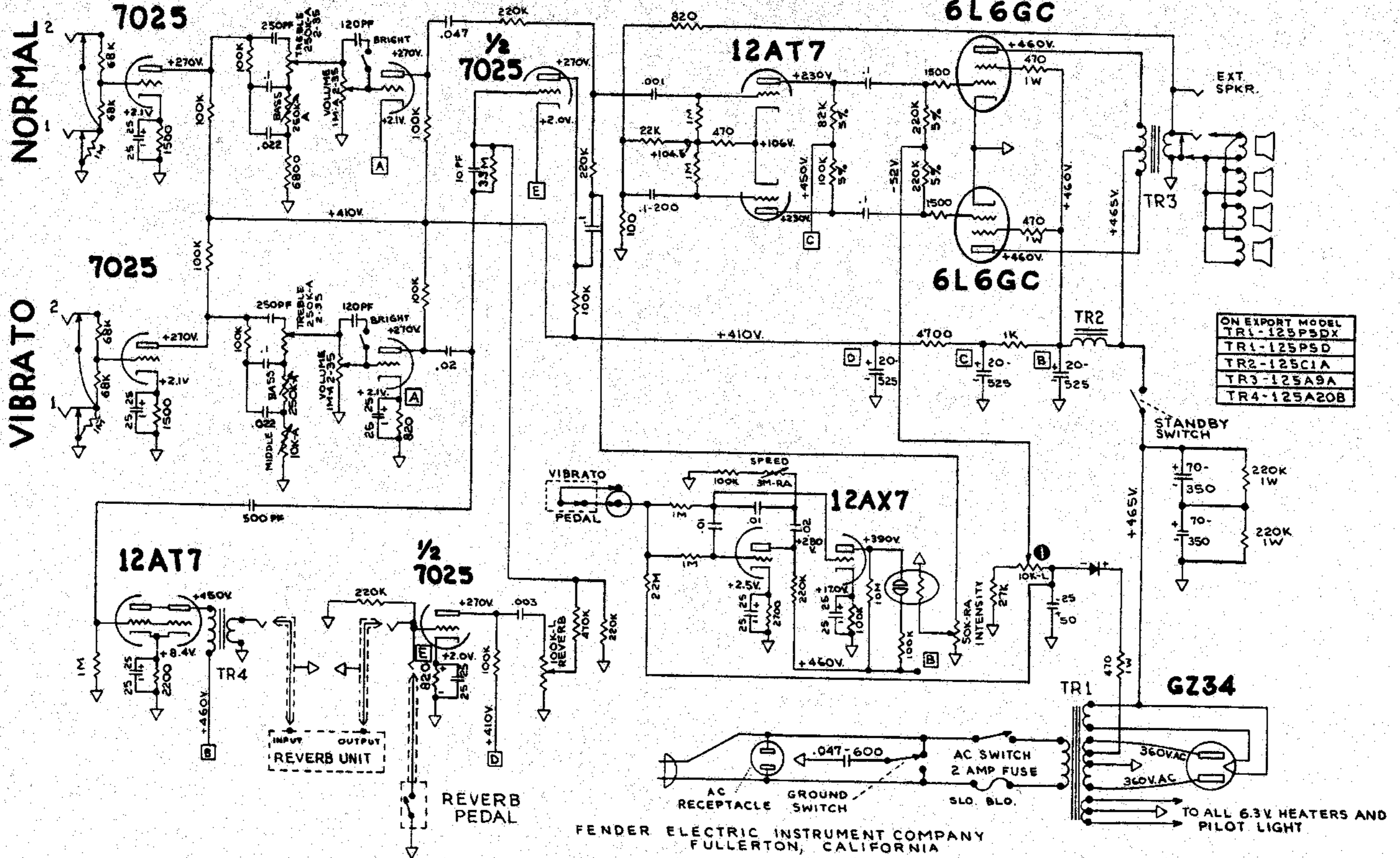
# FENDER "SUPER-REVERB-AMPAB 763" SCHEMATIC

# NOTICE

THIS PRODUCT MANUFACTURED UNDER ONE OR MORE OF THE FOLLOWING U.S. PATENTS-  
 CIRCUIT PATENT #2817708, #2973681  
 DESIGN PATENT #192859  
 PATENTS PENDING

C-FD

- 1 - VOLTAGES READ TO GROUND WITH ELECTRONIC VOLTMETER VALUES SHOWN, + OR - 20%
- 2 - ALL RESISTORS 1/2 WATT, 10% TOLERANCE IF NOT SPECIFIED
- 3 - ALL CAPACITORS AT LEAST 400 VOLT RATING IF NOT SPECIFIED



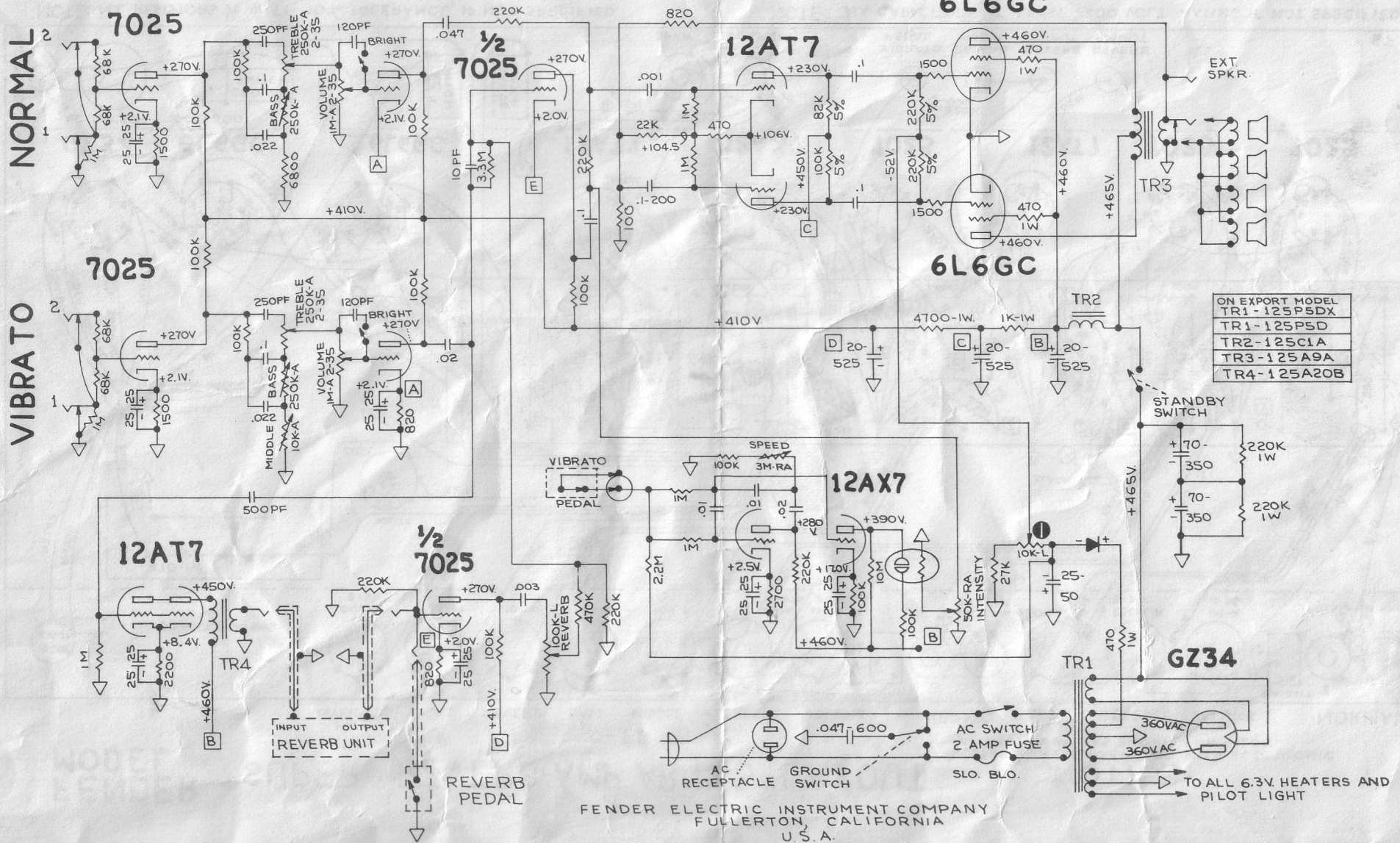
# FENDER MODEL "SUPER-REVERB-AMPAB 763" SCHEMATIC

## NOTICE

THIS PRODUCT MANUFACTURED UNDER ONE OR MORE OF THE FOLLOWING U.S. PATENTS -  
 CIRCUIT PATENT #2817708, #2973681  
 DESIGN PATENT #192859  
 PATENTS PENDING

C - FD

- 1 - VOLTAGES READ TO GROUND WITH ELECTRONIC VOLTMETER VALUES SHOWN + OR - 20%
- 2 - ALL RESISTORS 1/2 WATT 10% TOLERANCE IF NOT SPECIFIED.
- 3 - ALL CAPACITORS AT LEAST 400 VOLT RATING IF NOT SPECIFIED.

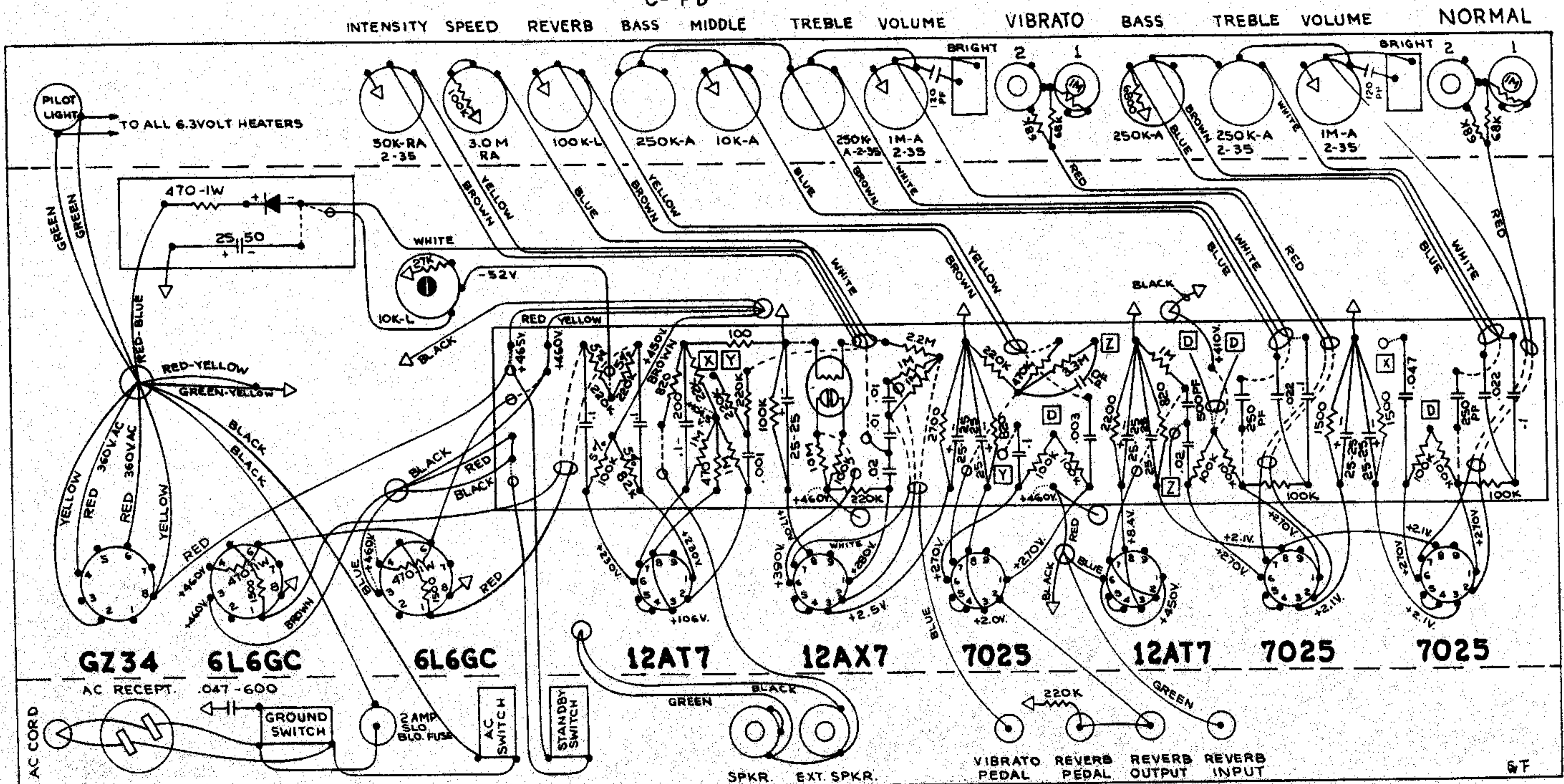


FENDER ELECTRIC INSTRUMENT COMPANY  
 FULLERTON, CALIFORNIA  
 U.S.A.

# FENDER "SUPER REVERB-AMP AB 763" LAYOUT

## NOTICE

VOLTAGES READ TO GROUND WITH ELECTRONIC VOLTMETER VALUES SHOWN +OR - 20%.



NOTE: ALL RESISTORS 1/2 WATT 10% TOLERANCE, IF NOT SPECIFIED.

NOTE: ALL CAPACITORS AT LEAST 400 VOLT RATING IF NOT SPECIFIED.

FENDER ELECTRIC INSTRUMENT COMPANY  
FULLERTON, CALIFORNIA

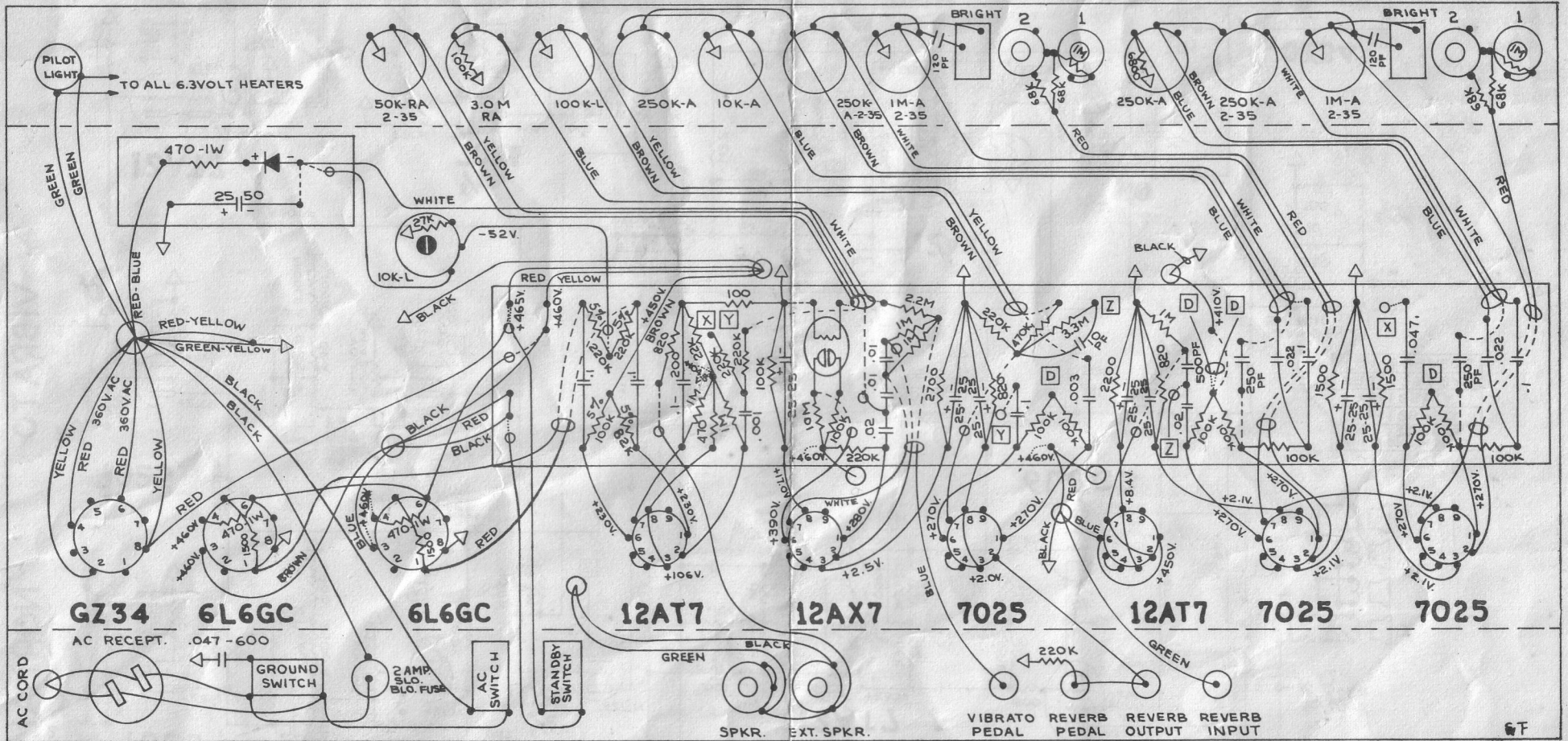
# FENDER "SUPER REVERB-AMP AB 763" LAYOUT

C- FD

## NOTICE

VOLTAGES READ TO GROUND WITH ELECTRONIC VOLTMETER VALUES SHOWN +OR - 20%.

INTENSITY SPEED REVERB BASS MIDDLE TREBLE VOLUME VIBRATO BASS TREBLE VOLUME NORMAL



NOTE: ALL RESISTORS 1/2 WATT 10% TOLERANCE, IF NOT SPECIFIED.

NOTE: ALL CAPACITORS AT LEAST 400 VOLT RATING IF NOT SPECIFIED.

FENDER ELECTRIC INSTRUMENT COMPANY  
FULLERTON, CALIFORNIA