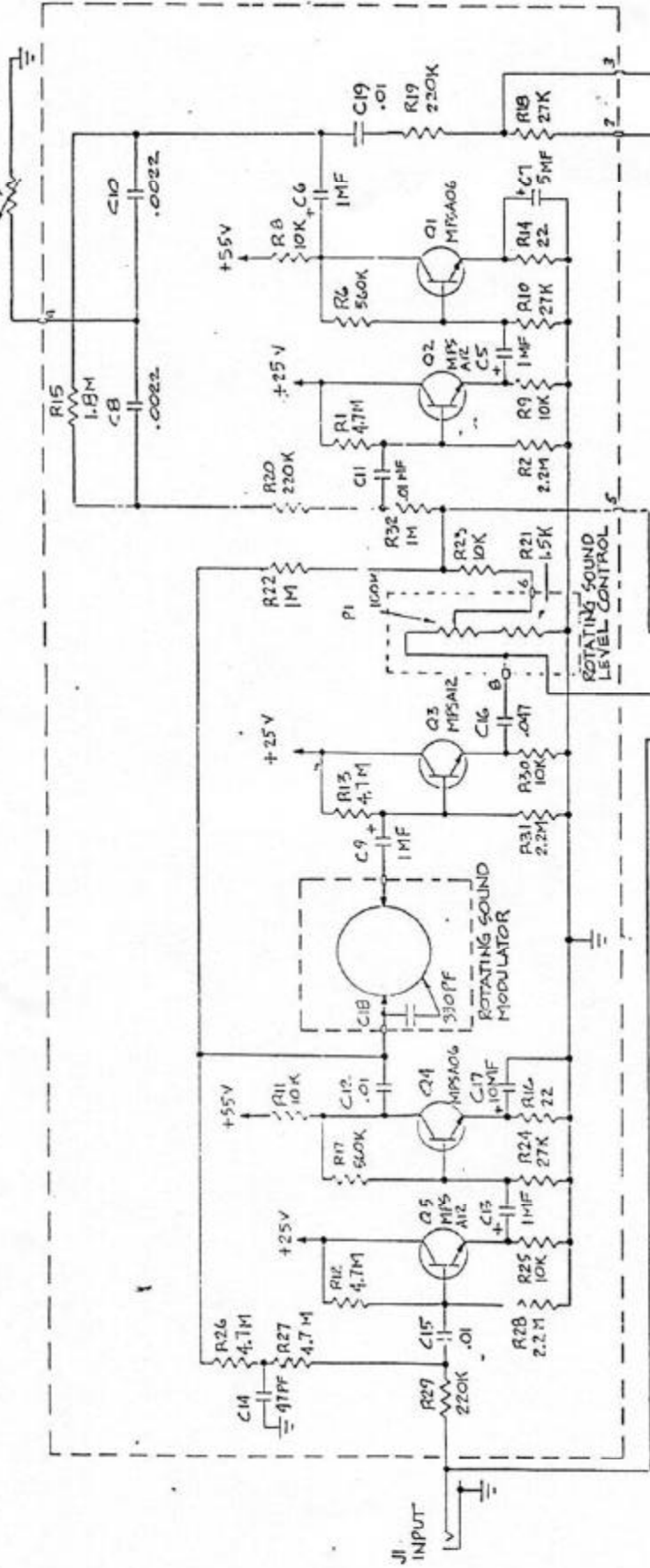


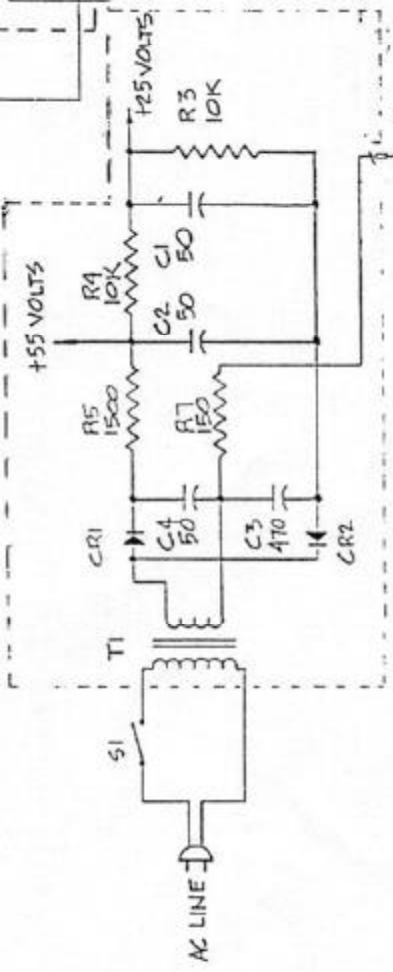
LDR2 WAH



NOTE:
 1. ALL CAPACITANCES IN MICROFARADS EXCEPT AS NOTED
 2. ALL RESISTANCES IN OHMS
 3. LAMP DESIGNATIONS USED:
 C19, Q5, R33, S3

MORLEY ROTATING WAH-VOLUME RWV

DATE	NONE	DESIGNED BY	J.S.
REV	1-27-56	APPROVED BY	[Signature]
FELPAC ELECTRONICS MFG. CO., INC.			
2301 W. VICTORY BLVD.			
RUBEN, CA 94066			



AC LINE

S1

T1

CR1

C4 50

C5 50

R4 10K

R5 1500

R7 100

Q4

Q5

CR2

C3 470

R3 10K

P1 30T

25 VOLTS