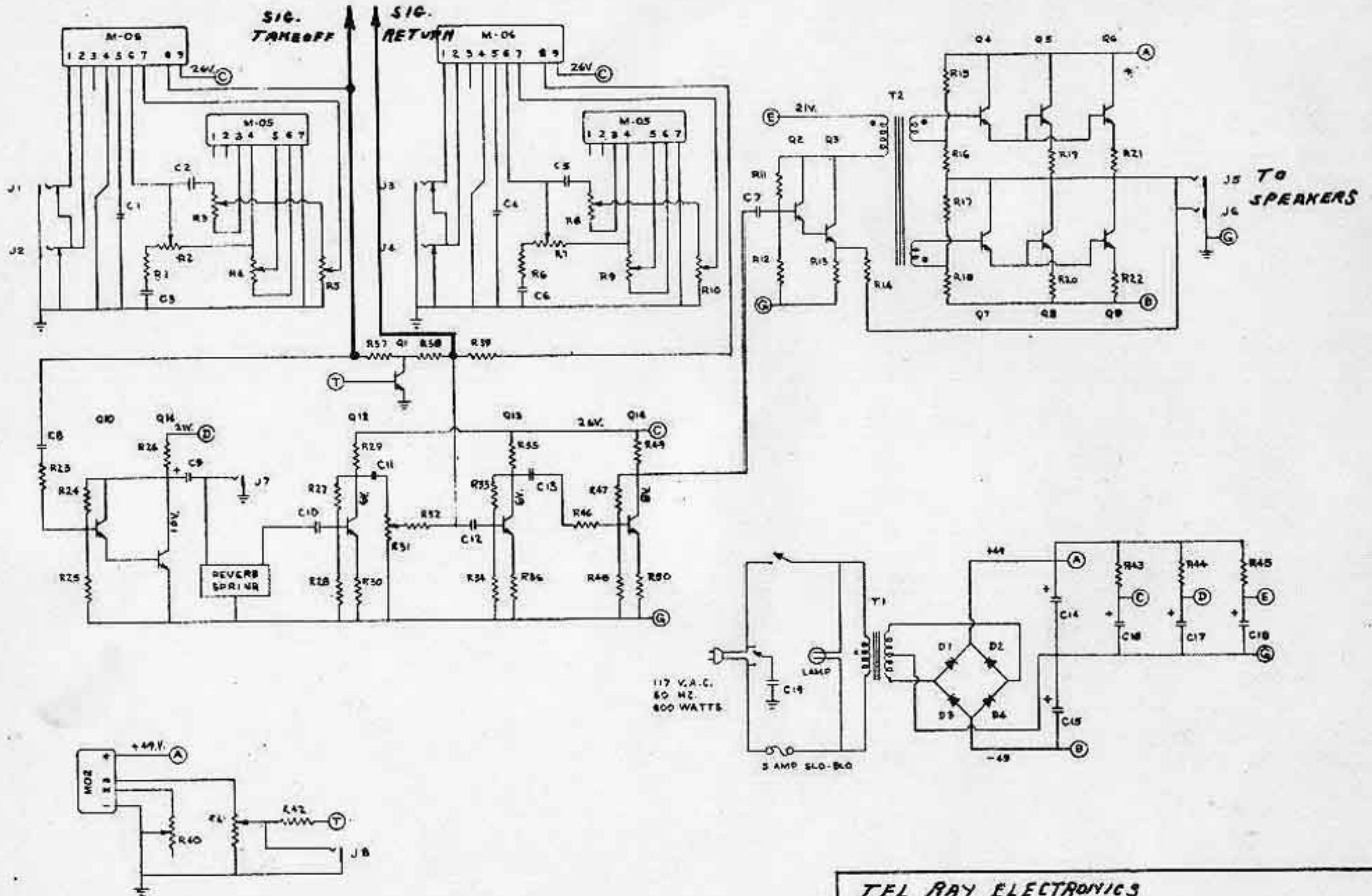
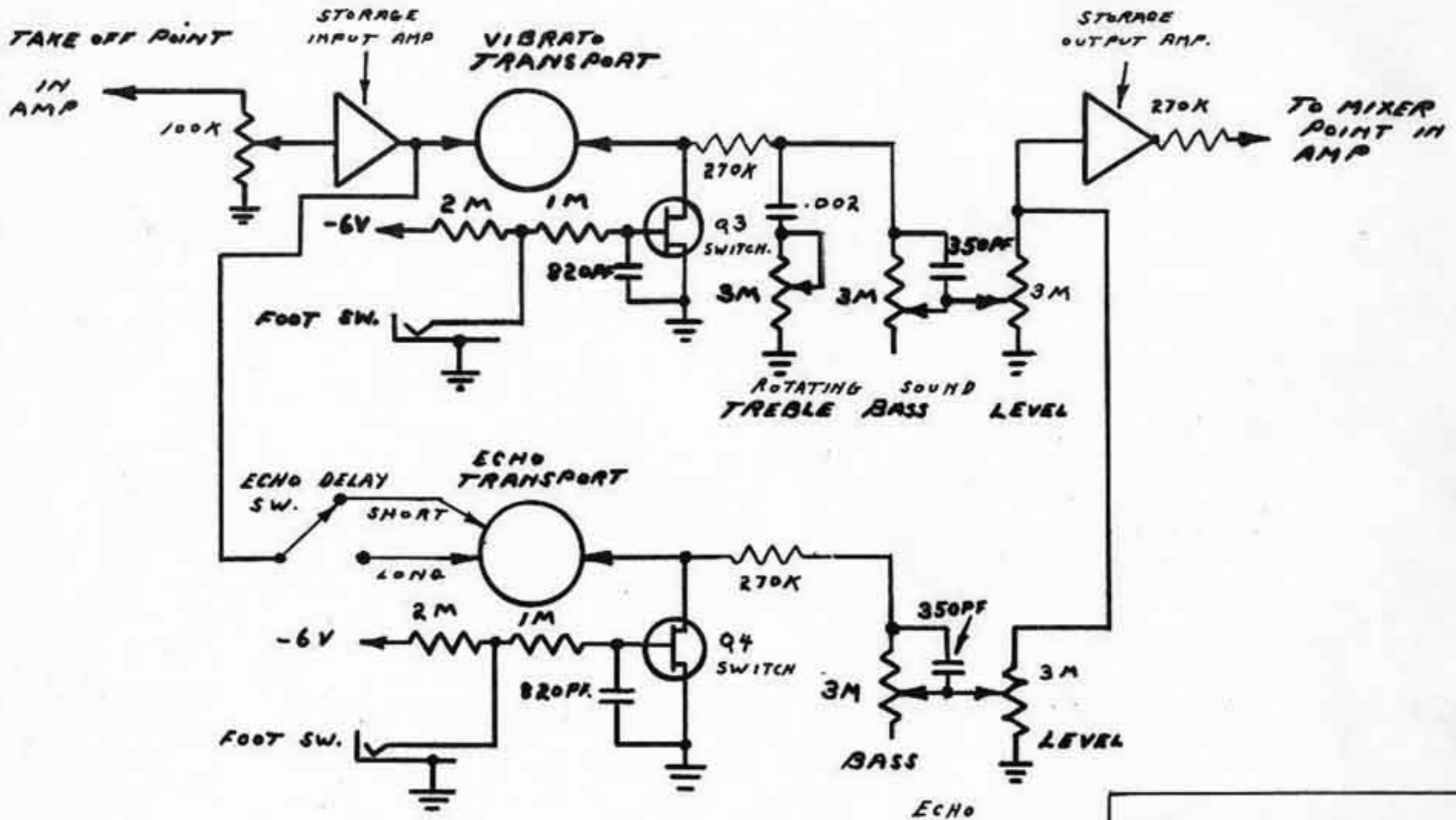


UPPER DECK



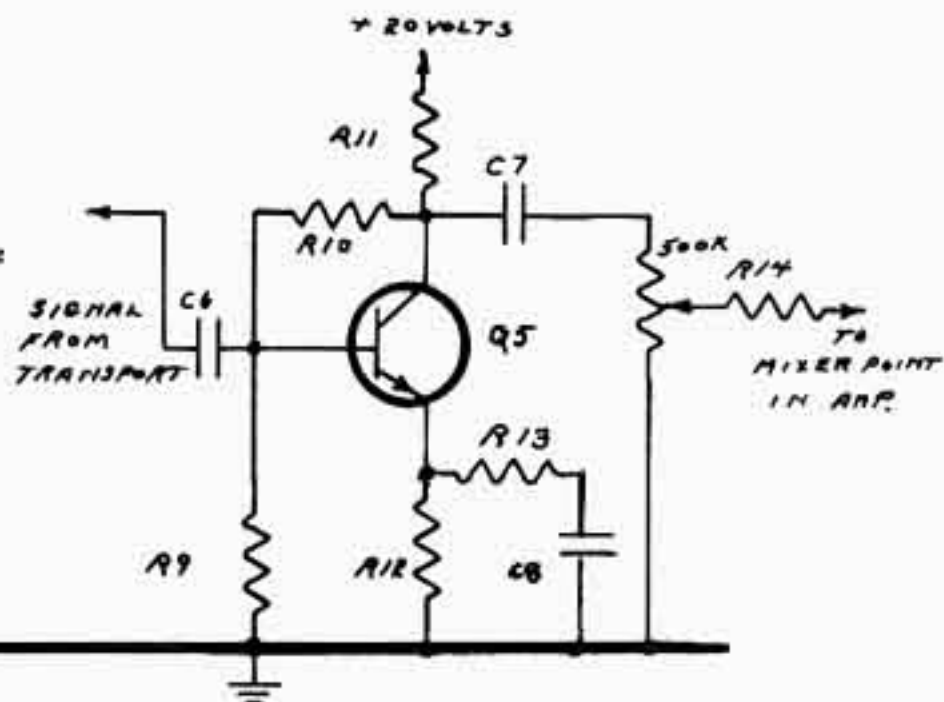
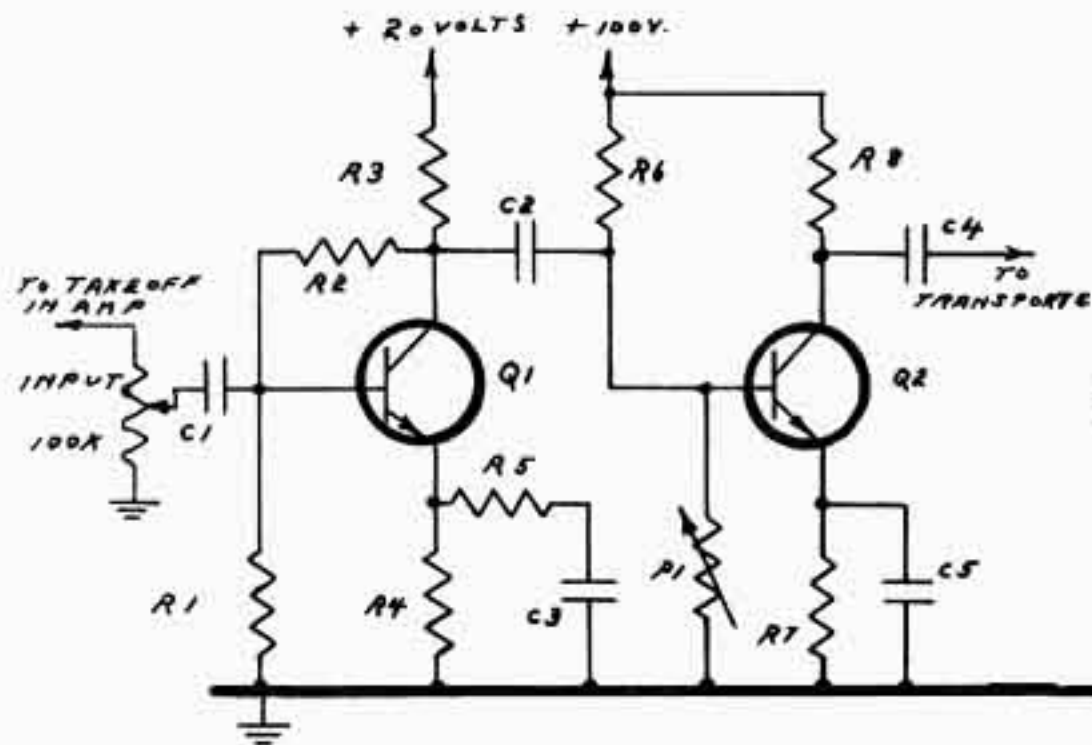
TEL RAY ELECTRONICS
 "SUPERNOVA"
 MAIN AMP CHASSIS



ORGANIZATION OF COMPONENTS ON UPPER DECK

STORAGE INPUT AMP.

STORAGE OUTPUT AMP.

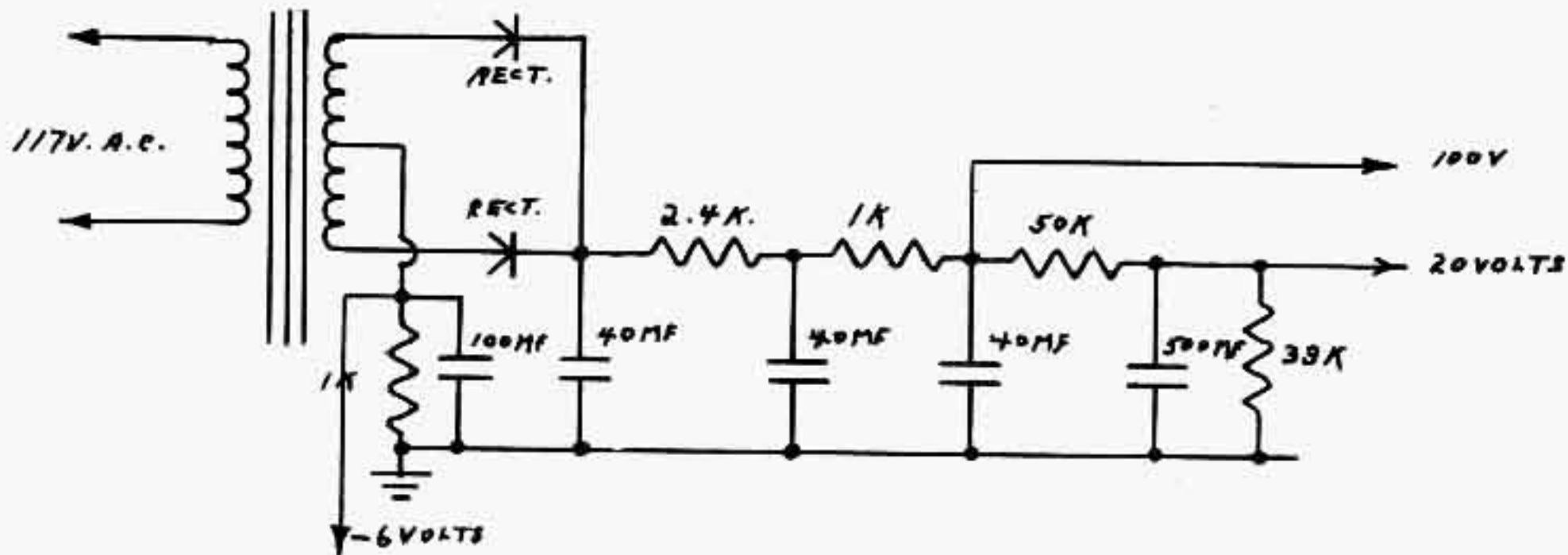


R1- 2.2 M
R2- 12M
R3- 10K
R4- 15K
R5- 15K
R6- 1M
R7- 22
R8- 10K

C1- .05MFD
C2- 5MF
C3- 50MF
C5- 50MF
P1- 100K
Q1- MPSA12
Q2- MJE 340

R9- 2.2 M
R10- 12M
R11- 10K
R12- 15K
R13- 4.7 K
R14- 270K

C6- .01 MFD
C7- .05MFD
C8- .05MFD



POWER SUPPLY

UPPER DECK