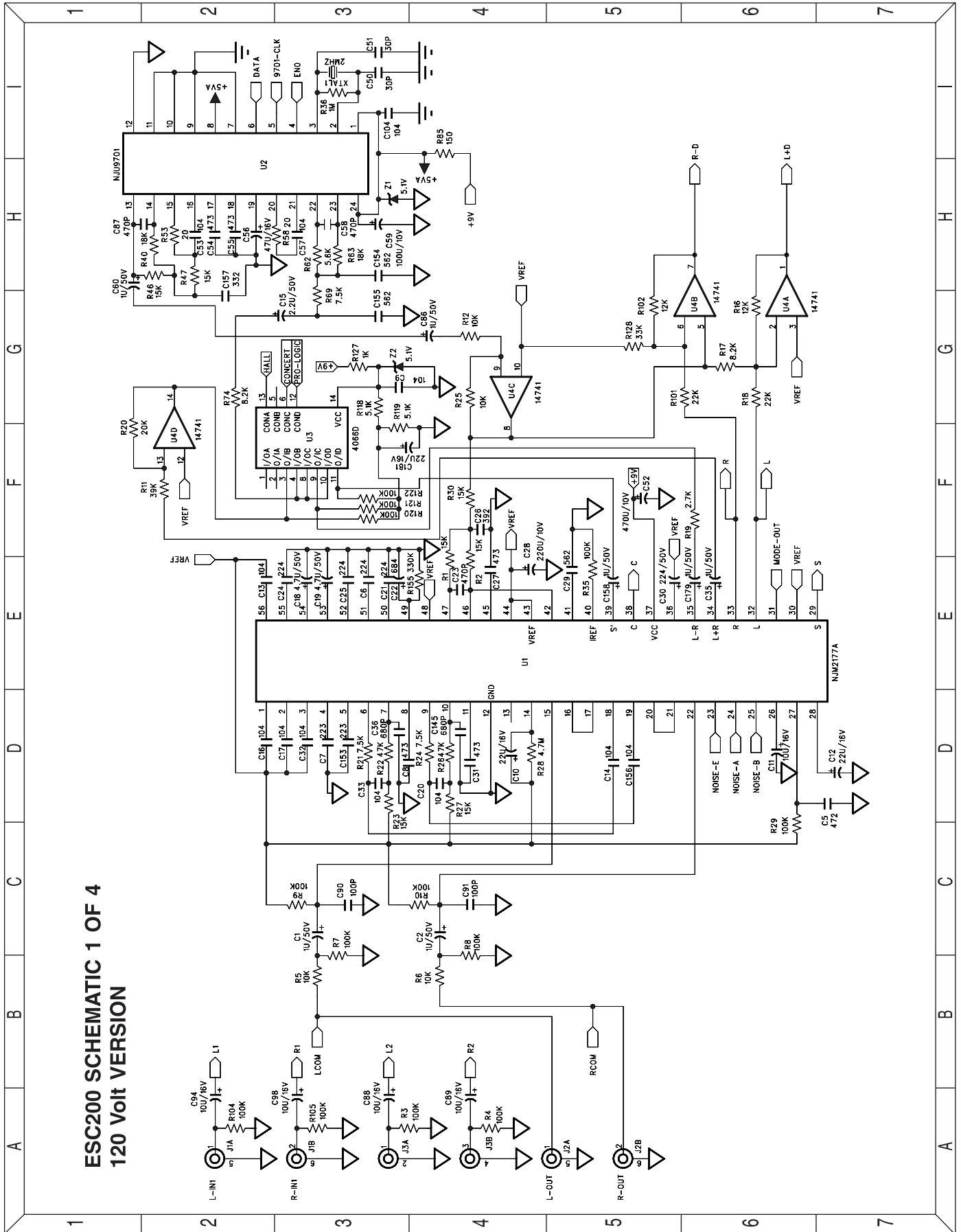
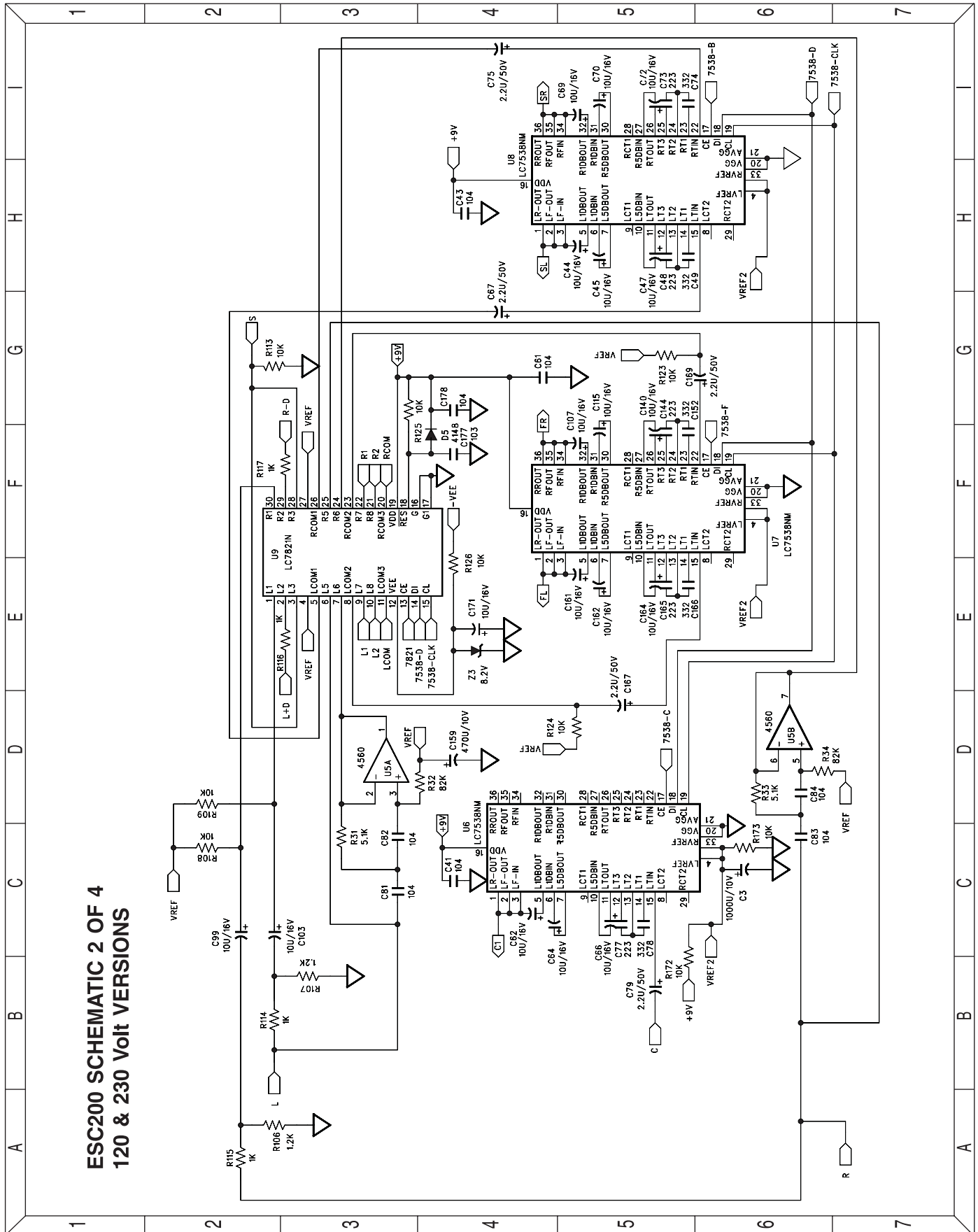


SCHEMATIC DIAGRAM 1 120V VERSION



ESC200 SCHEMATIC 1 OF 4
120 Volt VERSION

SCHEMATIC DIAGRAM 2 120V VERSION

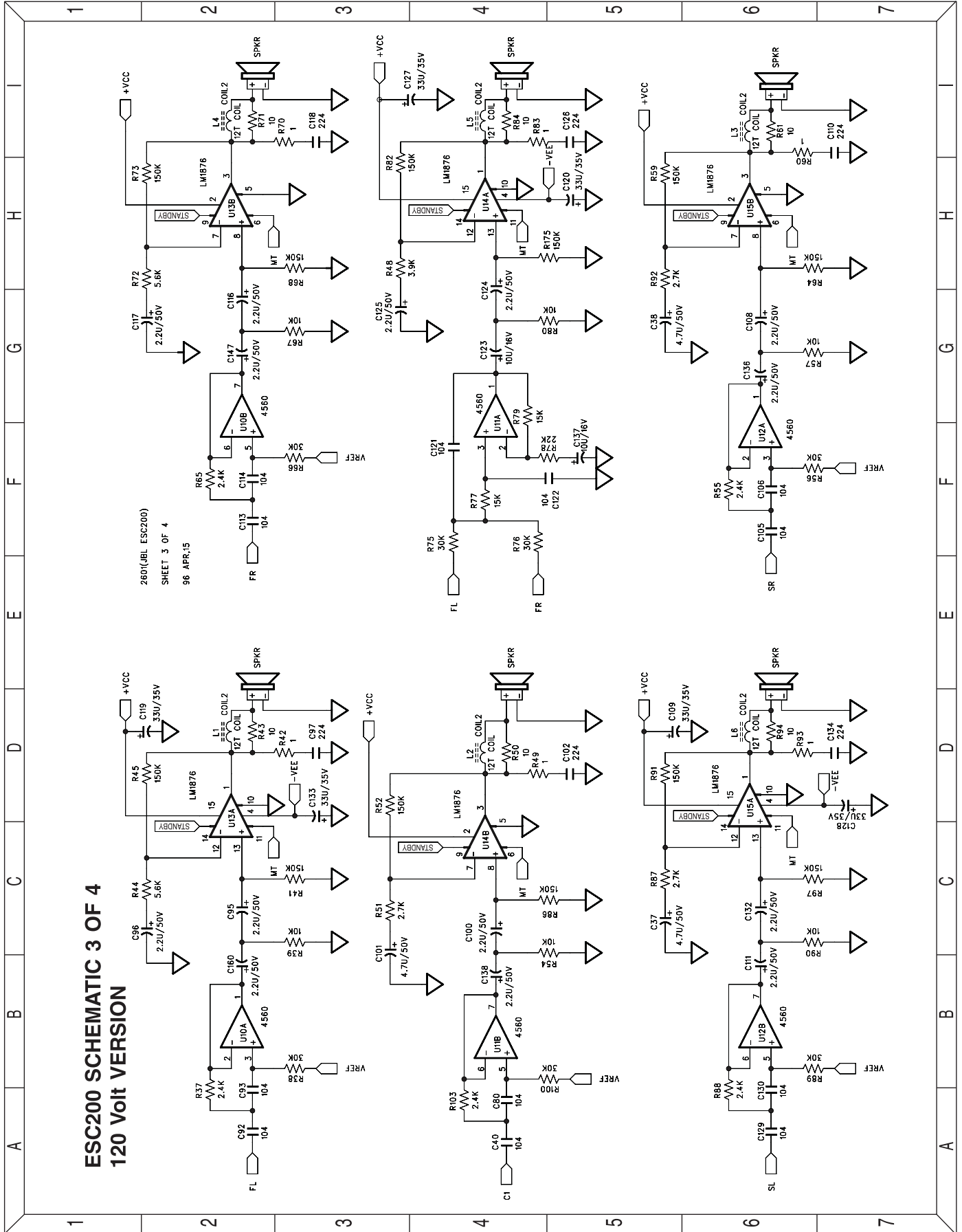


**ESC200 SCHEMATIC 2 OF 4
120 & 230 Volt VERSIONS**

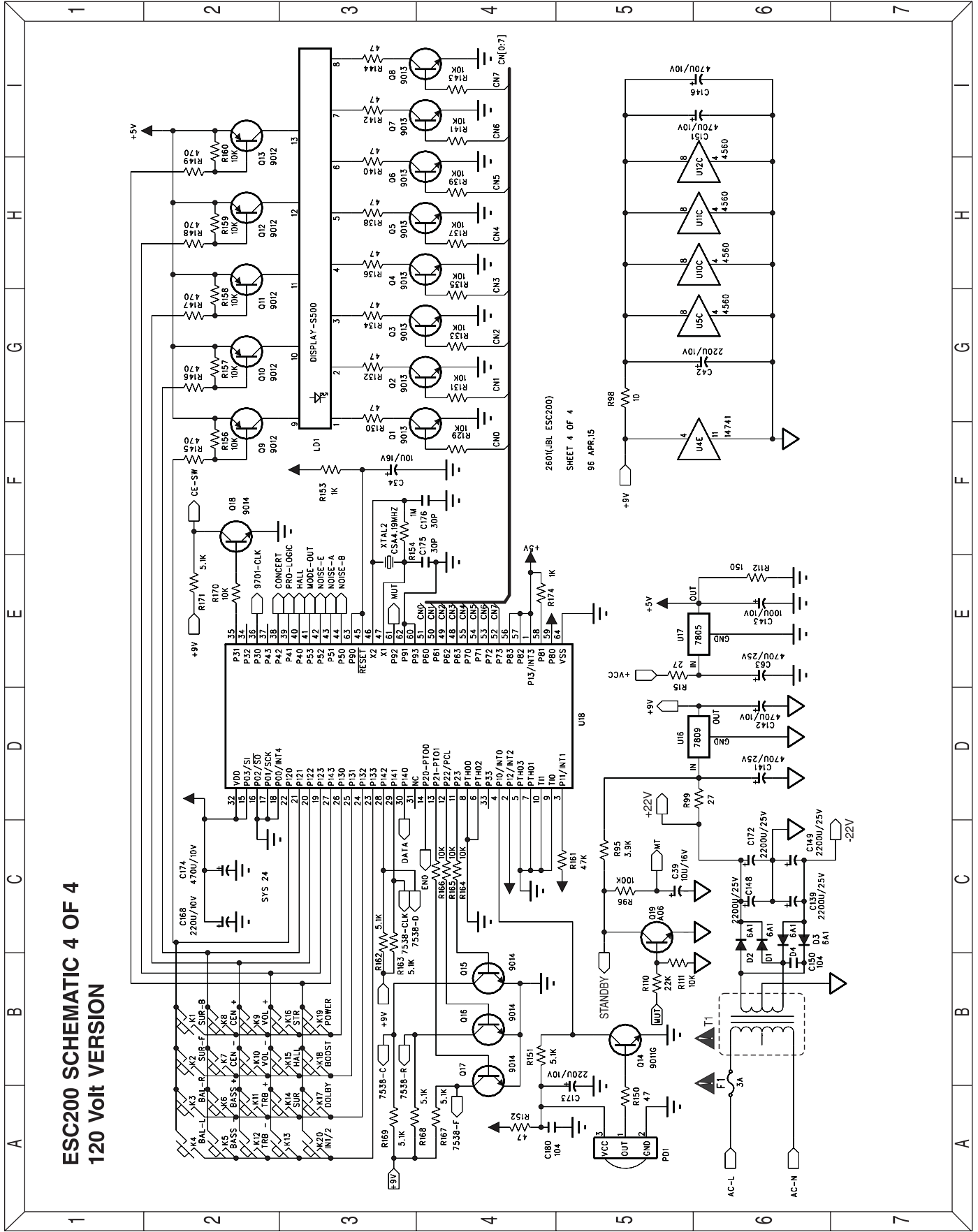
SCHEMATIC DIAGRAM 3 120V VERSION

**ESC200 SCHEMATIC 3 OF 4
120 Volt VERSION**

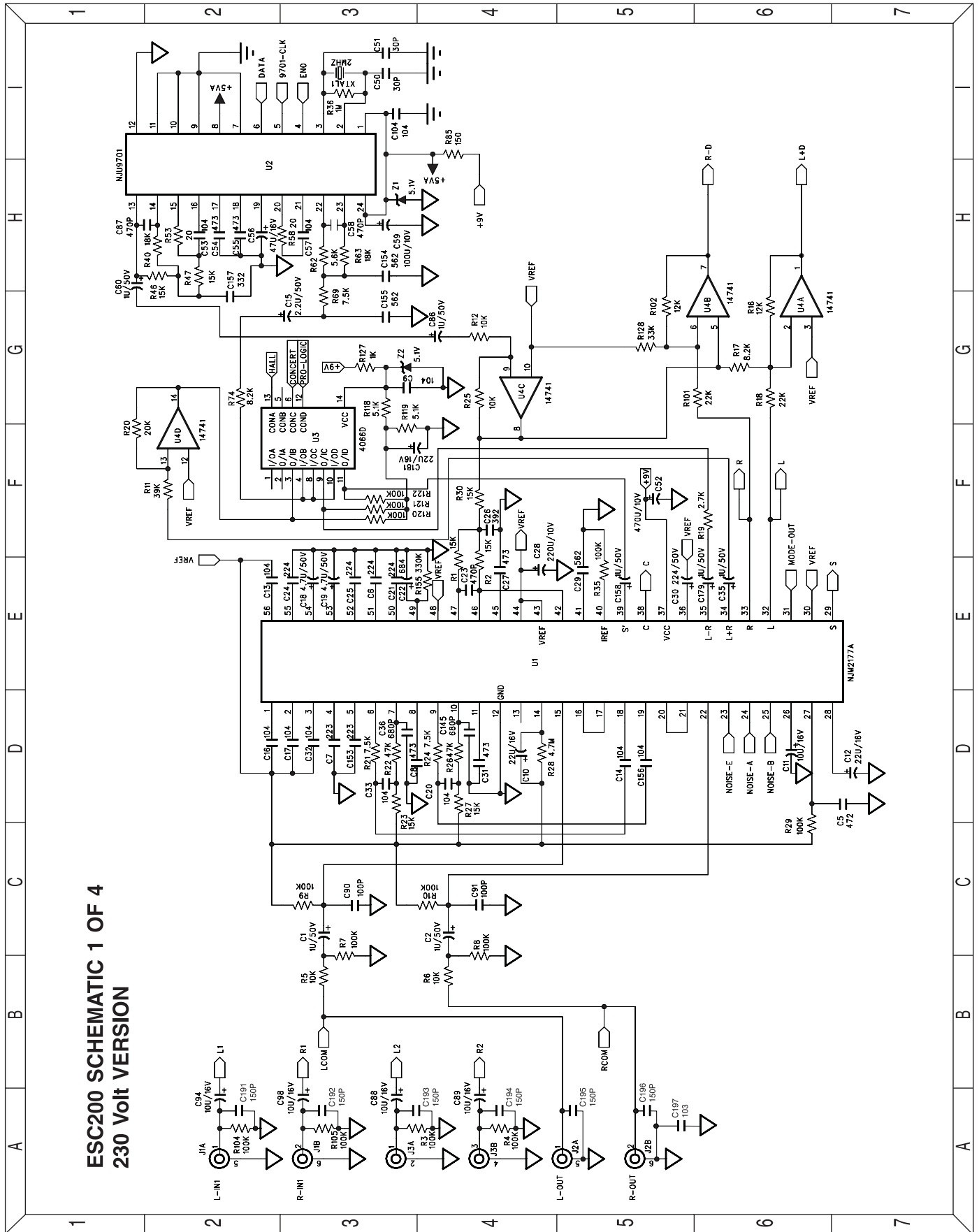
2601(JBL ESC200)
SHEET 3 OF 4
96 APR.15



SCHEMATIC DIAGRAM 4 120V VERSION

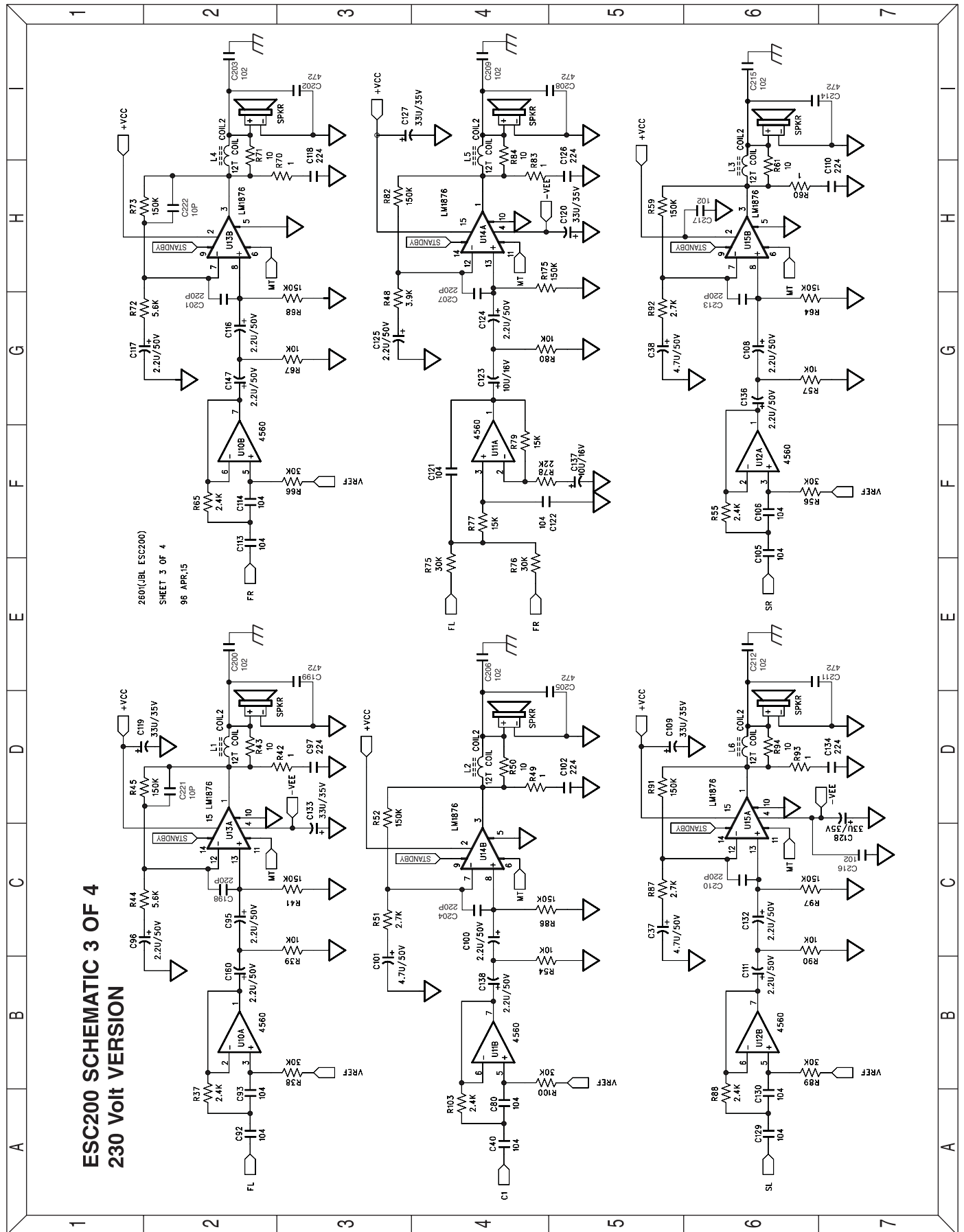


SCHEMATIC DIAGRAM 1 230V VERSION



ESC200 SCHEMATIC 1 OF 4
230 Volt VERSION

SCHEMATIC DIAGRAM 3 230V VERSION



SCHEMATIC DIAGRAM 4 230V VERSION

ESC200 SCHEMATIC 4 OF 4
230 Volt VERSION

