

BX63/BX63A



SPECIFICATIONS

Specifications are identical except as noted for "Crossover Frequency".

ACOUSTIC & ELECTRICAL SPECIFICATIONS:

- Maximum Output: 18 dBV (10 k Ω output load)
- Hum and Noise: -95 dBV (20 Hz - 20 kHz equivalent bandwidth, gain control at "5")
- THD: 0.01% (0 dB input level)
- Intermodulation Distortion (SMPTE): 0.01% (0 dB input level)
- Level Control Range: +12, -80 dB
- Input Summing Contribution: 0.35 dB
- Differential Output Balance: 0.35 dB
- Output Impedance: 180 Ω
- Power-On Transient Settling: 0.1 s

STEREO:

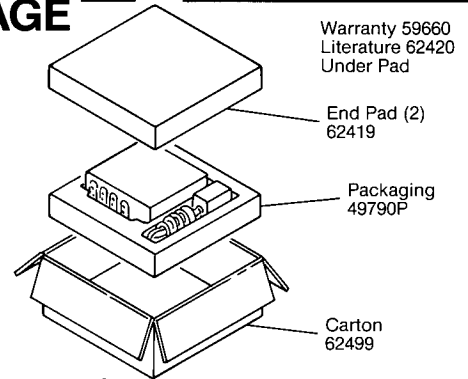
- Separation: 95 dB
- Blocking Capacitance: 0.22 μ F \pm 5%
- Impedance Accommodation:
 - Low: 9-18 K Ω
 - Mid: 18-36 K Ω
 - High: 36 k Ω - ∞ Ω

GENERAL:

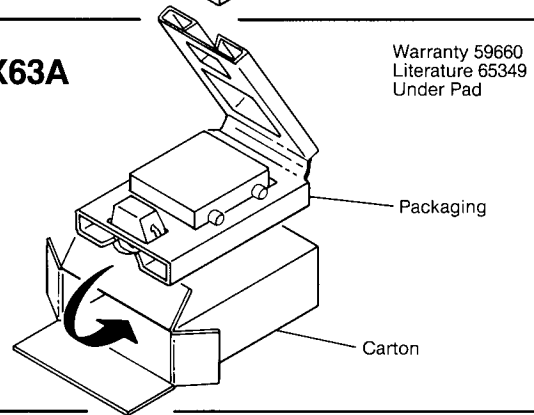
- Crossover Frequency: 63 Hz (BX63)
63 Hz to 140 Hz (BX63A)
- Power Requirements: 12 VAC, 50/60 Hz
- Power Consumption: 2 W
- Dimensions: 5-1/2 in. W x 7-1/2 in. D x 1-7/8 in. H (140mm x 190mm x 48mm)

PACKAGE

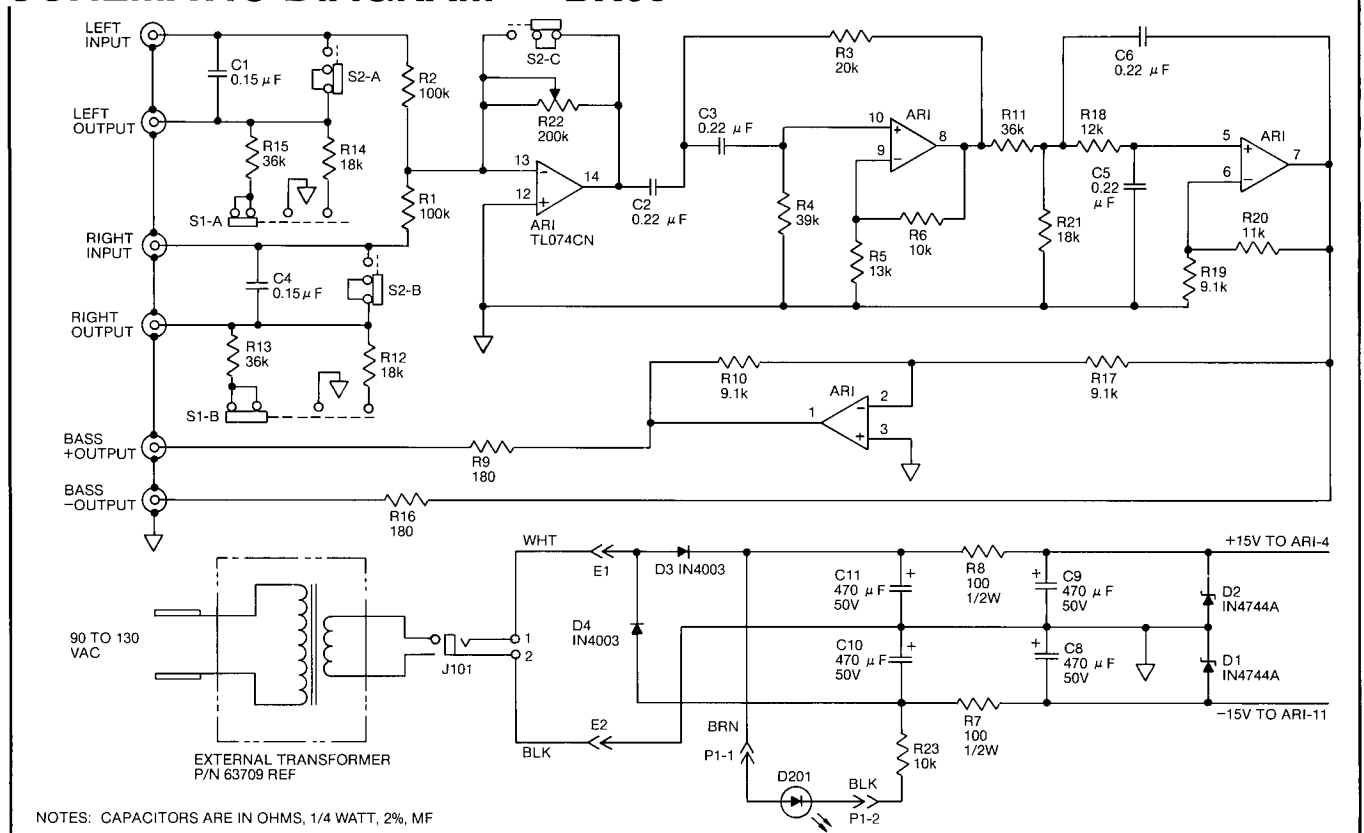
BX63



BX63A



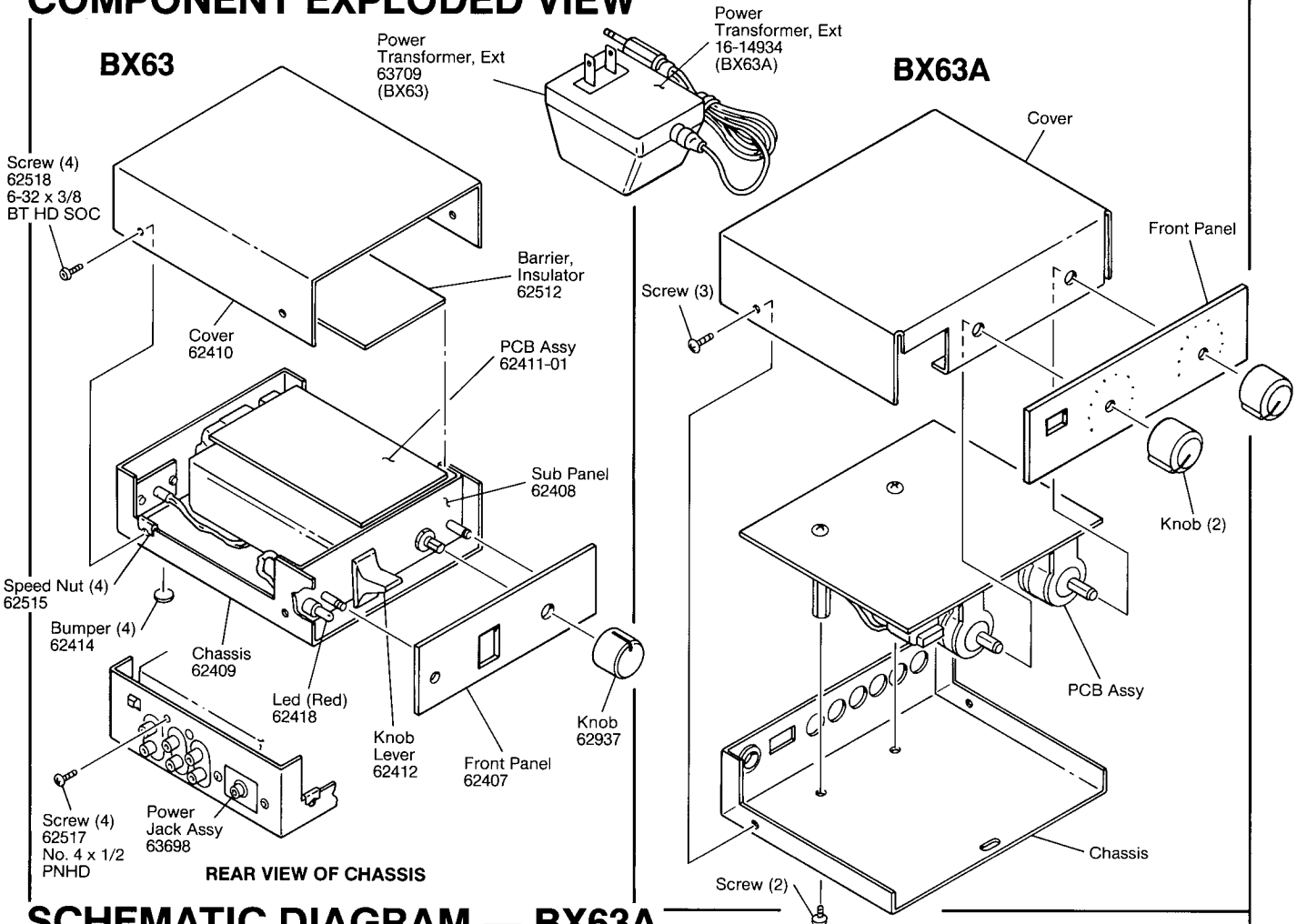
SCHEMATIC DIAGRAM — BX63



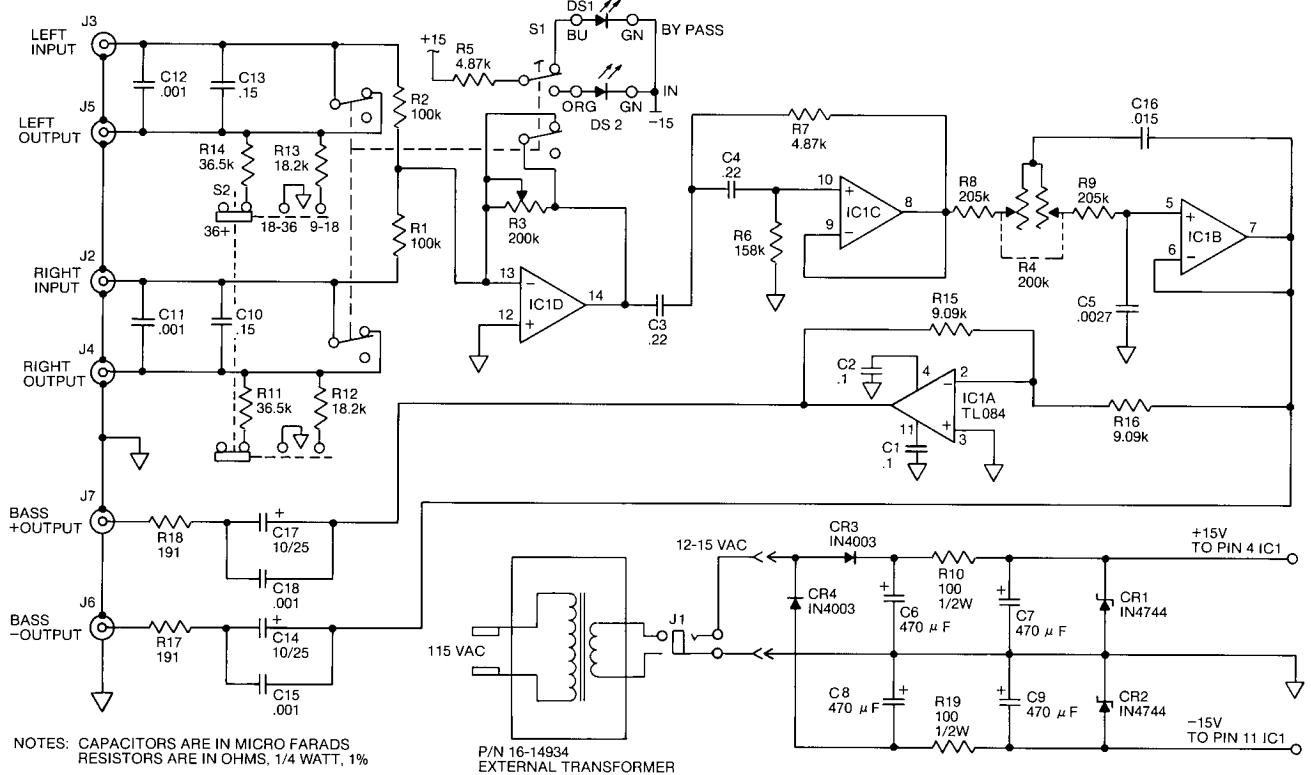
BX63/BX63A

BX63/BX63A

COMPONENT EXPLODED VIEW



SCHEMATIC DIAGRAM — BX63A



BX63/BX63A