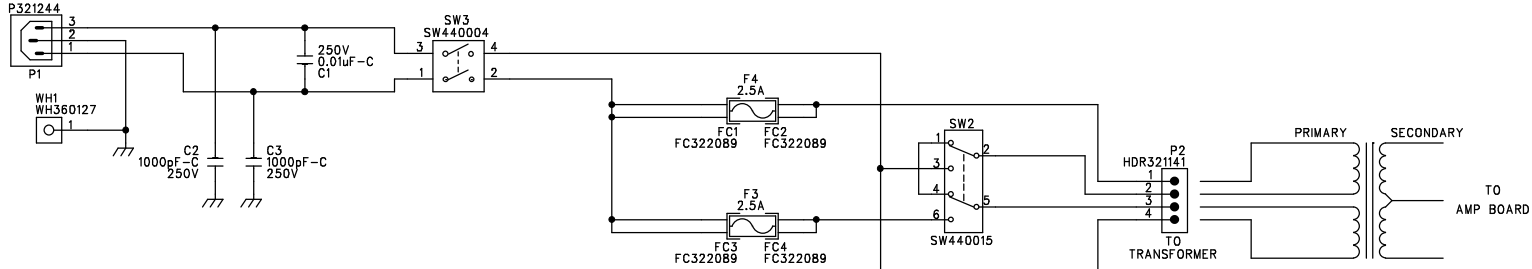
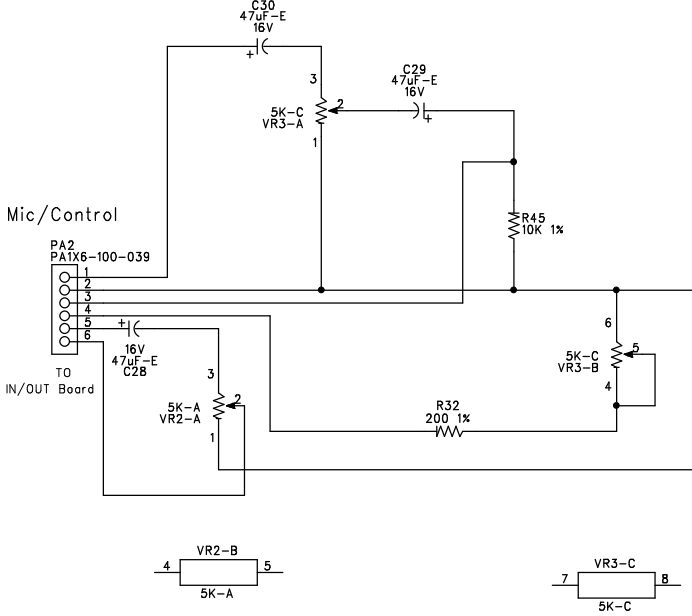


Bill Of Materials for 056392a1.sch on Mon Feb 05 17:09:00 2001

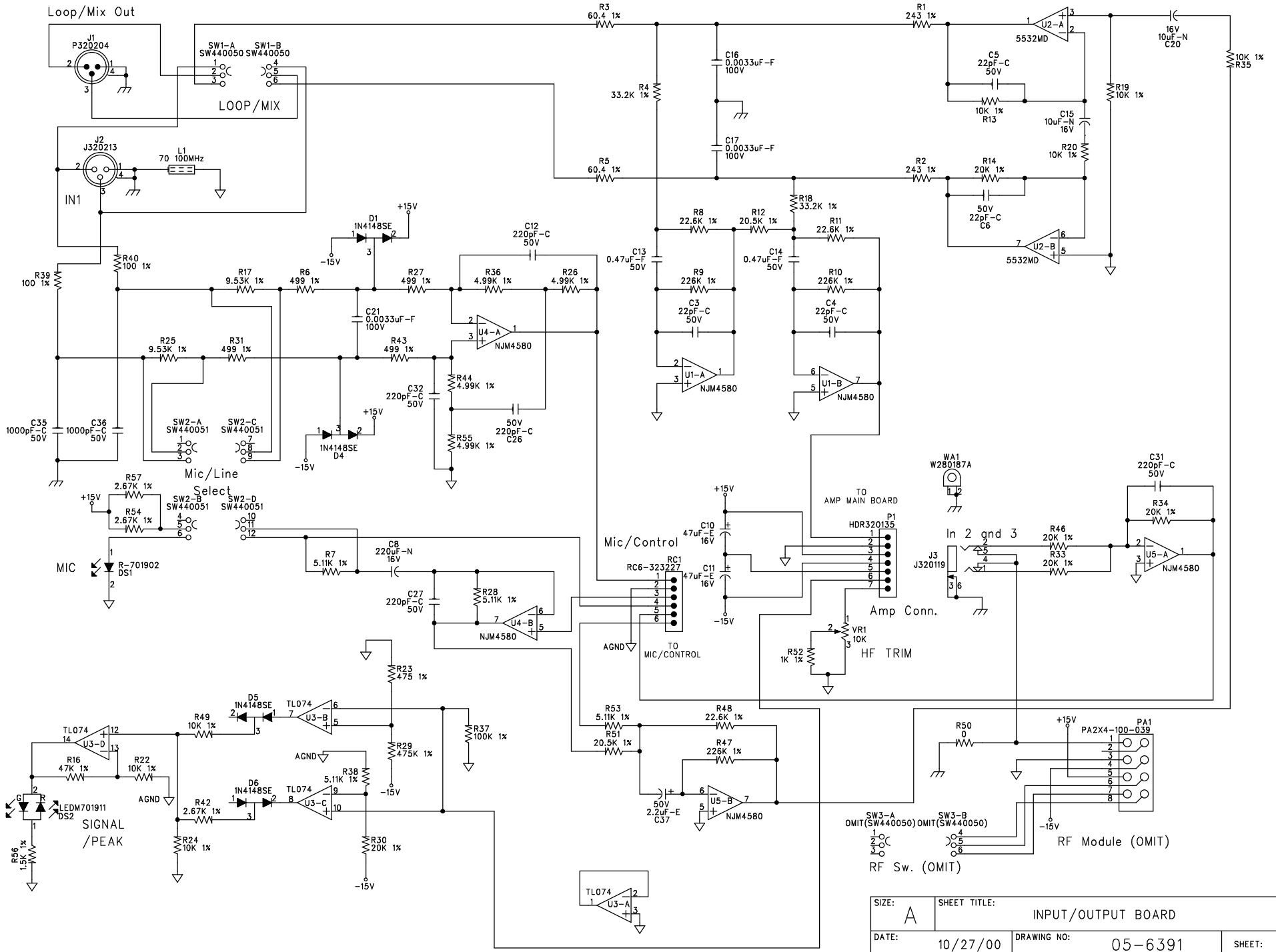
| Qty | Reference | HMG# | Description | Audit | Schematic Part | PCB Decal |
|-----|-----------|---------|--|--------|----------------|---------------|
| 1 | PCB1 | 80-6392 | PCB 80-6392 JBL EON AC INPUT PCB | PT2044 | 80XXXXXY | BARCODE |
| 1 | BK1 | 10-6392 | BKT JBL EON10 GII INPUT POWER P&S | PT2336 | BK106392 | PCBNUL |
| 1 | BK2 | 14-6392 | BKT JBL EON10 GII INPUT POWER RAW | PT2354 | BK146392 | PCBNUL |
| 1 | C1 | 62-0048 | CAP 0.01uF CER 250V 20% BK | PT1939 | C0.01UC250MR | RCWI400 |
| 2 | C2-3 | 62-0049 | CAP 1000pF CER 250V 20% BK | PT2046 | C1000PC250MR | RCFI300 |
| 2 | F3-4 | 32-3189 | FUSE 2.5A 250V TIME LAG AX 2AG | PT2334 | F2.5A323189 | FUSE4 |
| 4 | FC1-4 | 32-2089 | FUSE CLIP, FOR 2AG OR 5mm DIA. | PT1336 | FC322089 | FCLIP1-5X20 |
| 1 | P2 | 32-1141 | HDR 4 PIN 0.2" SPC 1 X 4 SH VRT M | PT2048 | HDR321141 | HC41V200SPM |
| 1 | P1 | 32-1244 | CON PLUG R/A PC MT AC RECEPTACLE 3 PIN | PT2061 | P321244 | ACPLUG-2 |
| 1 | SW3 | 44-0004 | SWITCH PWR ROCKER DPST DA250VAC | PT2335 | SW440004 | SW440004 |
| 1 | SW2 | 44-0015 | SWITCH DPDT VOLTAGE SELECT 115V/230V | PT2047 | SW440015 | SW440015 |
| 1 | WH1 | 36-0127 | WIRE HAR 1 C 18AWG GRN 8 " W/ LUG | PT2437 | WH360127 | PA1X1-000-100 |



| | | |
|----------------|---------------------------|---------------|
| SIZE: A | SHEET TITLE: AC Input PCB | REVISION: A1 |
| DATE: 10/27/00 | DRAWING NO: 05-6392 | SHEET: 2 OF 2 |



| | | |
|----------------|----------------------------|---------------|
| SIZE: A | SHEET TITLE: CONTROL BOARD | REVISION: A0 |
| DATE: 10/27/00 | DRAWING NO: 05-6391 | SHEET: 3 OF 3 |



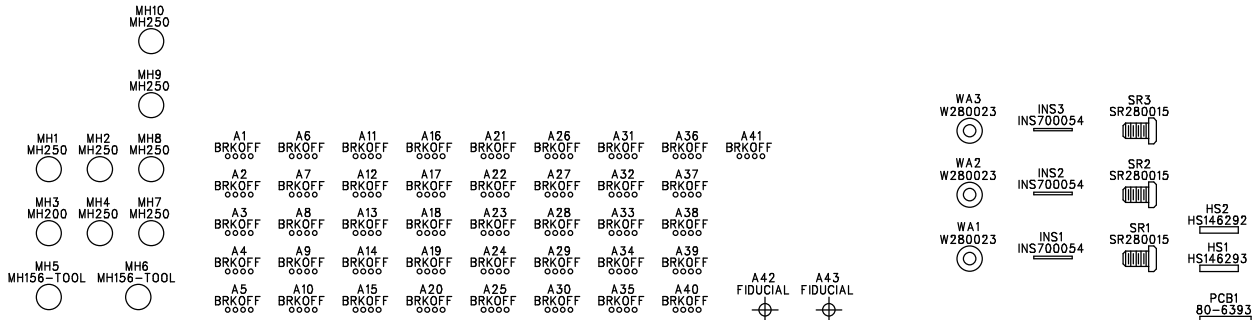
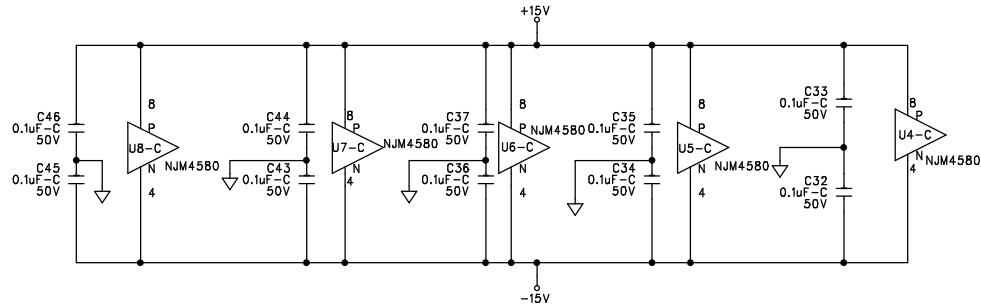
| | | |
|----------------|---------------------------------|---------------|
| SIZE: A | SHEET TITLE: INPUT/OUTPUT BOARD | REVISION: A0 |
| DATE: 10/27/00 | DRAWING NO: 05-6391 | SHEET: 2 OF 3 |

Bill Of Materials for 056391A0.SCH on Mon Nov 13 11:01:02 2000

| Qty | Reference | HMG# | Description | Audit | Schematic Part | PCB Decal |
|-----|-----------------------------------|------------|---|--------|----------------|---------------|
| 1 | PCB1 | 80-6391 | PCB 80-6391 EON10 SIGNAL BOARD | PT2044 | 80XXXXYY | BARCODE |
| 1 | A3 | NON-PART | NON-PART, PCB ONLY, BREAKOFF PART | PT1481 | BRKOFF | BRKOFF |
| 3 | C16-17 C21 | 56-0003 | CAP, 0.0033uF, FILM, 100V, 5%, RFCC200, AMMO | PT1103 | C0.0033UF100JR | RFCC200 |
| 10 | C1-2 C18-19 C22-25 C33-34 | 62-3139 | CAP, 0.1uF, CER, 50V, 20%, 0805, T&R | PT1087 | C0.1UC50M0805 | 0805 |
| 2 | C13-14 | 56-0016 | CAP, 0.47uF, FILM, 50V, 5%, RFEF200, AMMO | PT1308 | C0.47UF50JR | RFEF200 |
| 2 | C35-36 | 62-3136 | CAP, 1000pF, CER, 50V, 20%, 0805, T&R | PT1109 | C1000PC50M0805 | 0805 |
| 2 | C15 C20 | 60-0051-01 | CAP, 10uF, ELEC-NP, 16V, 20%, REE200, AMMO | PT1449 | C10UN16MR | REE200 |
| 1 | C37 | 60-0400 | CAP, 2.2uF, ELEC, 50V, 20%, REE200P, AMMO | PT1083 | C2.2UE50MR | REE200P |
| 5 | C12 C26-27 C31-32 | 62-3138 | CAP, 220pF, CER, 50V, 10%, 0805, T&R | PT1286 | C220PC50K0805 | 0805 |
| 1 | C8 | 60-1068 | CAP, 220uF, ELEC-NP, 16V, 20%, REM200, BULK | PT1823 | C220UN16MR | REM200 |
| 4 | C3-6 | 62-3134 | CAP, 22pF, CER, 50V, 5%, 0805, T&R | PT1107 | C22PC50J0805 | 0805 |
| 5 | C10-11 C28-30 | 60-0054-01 | CAP, 47uF, ELEC, 16V, 20%, REE200P, AMMO | PT1108 | C47UE16MR | REE200P |
| 4 | D1 D4-6 | 70-0113 | DIO, MMBD4148SE, DUAL DIODE, 75V, 600mA, SOT-23, T&R | PT1326 | D1N4148SE-S | SOT-23 |
| 2 | A1-2 | NON-PART | NON-PART, FIDUCIAL, TARGET FOR AUTO INSERTION | PT1271 | FIDUCIAL | FIDUCIAL |
| 1 | P1 | 32-0135 | HDR 7 PIN .098 SPC 7X1 SHD VERT | PT2089 | HDR320135 | HC71V98SP |
| 1 | J3 | 32-0119 | CON, JACK, 1/4 PHONO, FULL NOSE THREAD, SLIMLINE | PT1359 | J320119 | J320119 |
| 1 | J2 | 32-0213 | CON JACK XLR R/A PCA A SERIES NON-LOCKING | PT2016 | J320213 | XLRF-2 |
| 1 | DS2 | 70-1911 | LED MULTI-COLOR RED/GRN R/A ANTI-TIP | PT2049 | LEDM701911 | D701902 |
| 1 | DS1 | 70-1902 | LED, RED, R/A, ANTI-TIP HOUSING | PT1133 | LEDR701902 | D701902 |
| 1 | L1 | 26-0215 | IND, FERRITE BEAD, 70 OHM @ 100MHZ, RIC200, AMMO | PT1262 | LFB260215 | RIC200 |
| 2 | MH1-2 | NON-PART | NON-PART, TOOLING PIN HOLE, 156MIL HOLE | PT1416 | MH156-TOOL | MH156-TOOL |
| 1 | MP1 | NON-PART | NON-PART, MECHANICAL PLATED HOLE, 300 PAD, 156 HOLE, #6 | PT1045 | MP300H156 | MP300H156 |
| 1 | J1 | 32-0204 | CON, PLUG, XLR, R/A, PCA A SERIES | PT1218 | P320204 | XLRM-1 |
| 1 | PA2 | NON-PART | NON-PART PAD ARRAY 6 PN 0.1"SPC 0.039" HLE | PT2134 | PA1X6-100-039 | PA1X6-100-039 |
| 1 | PA1 | NON-PART | NON-PART PAD ARRAY 2 X 4 8 PN 0.1"SPC 0.039" HLE | PT2136 | PA2X4-100-039 | PA2X4-100-039 |
| 1 | R50 | 50-1531 | RES 0 5% 1/10W SM 0805 TA | PT1099 | R0-C5-0805 | 0805 |
| 1 | R56 | 52-3208 | RES 1.5K 1% 1/10W SM 0805 TA | PT1733 | R1.5KC1-0805 | 0805 |
| 2 | R39-40 | 52-3235 | RES 100 1% 1/10W SM 0805 TA | PT1706 | R100-C1-0805 | 0805 |
| 1 | R37 | 52-1010 | RES 100K 1% 1/10W SM 0805 TA | PT2014 | R100K1-0805 | 0805 |
| 8 | R13 R19-20 R22 R24 R35 R45 R49 | 52-4500 | RES 10K 1% 1/10W SM 0805 TA | PT1034 | R10K1-0805 | 0805 |
| 1 | R52 | 52-4505 | RES 1K 1% 1/10W SM 0805 TA | PT1037 | R1KC1-0805 | 0805 |
| 3 | R42 R54 R57 | 52-4507 | RES 2.67K 1% 1/10W SM 0805 TA | PT1039 | R2.67KC1-0805 | 0805 |
| 2 | R12 R51 | 52-4486 | RES 20.5K 1% 1/10W SM 0805 TA | PT2159 | R20.5KC1-0805 | 0805 |
| 1 | R32 | 52-3224 | RES 200 1% 1/10W SM 0805 TA | PT1717 | R200-C1-0805 | 0805 |
| 5 | R14 R30 R33-34 R46 | 52-4501 | RES 20K 1% 1/10W SM 0805 TA | PT1035 | R20KC1-0805 | 0805 |
| 3 | R8 R11 R48 | 52-0314 | RES 22.6K 1% 1/10W SM 0805 TA | PT2065 | R22.6KC1-0805 | 0805 |
| 3 | R9-10 R47 | 52-4485 | RES 226K 1% 1/10W SM 0805 TA | PT2158 | R226KC1-0805 | 0805 |
| 2 | R1-2 | 52-4546 | RES 243 1% 1/10W SM 0805 TA | PT1809 | R243-C1-0805 | 0805 |
| 2 | R4 R18 | 52-3219 | RES 33.2K 1% 1/10W SM 0805 TA | PT1722 | R33.2KC1-0805 | 0805 |
| 4 | R26 R36 R44 R55 | 52-4511 | RES 4.99K 1% 1/10W SM 0805 TA | PT1041 | R4.99KC1-0805 | 0805 |
| 1 | R23 | 52-3231 | RES 475 1% 1/10W SM 0805 TA | PT1710 | R475-C1-0805 | 0805 |
| 1 | R29 | 52-3214 | RES 475K 1% 1/10W SM 0805 TA | PT1961 | R475KC1-0805 | 0805 |
| 1 | R16 | 52-3207 | RES 47K 1% 1/10W SM 0805 TA | PT1734 | R47KC1-0805 | 0805 |
| 4 | R6 R27 R31 R43 | 52-4504 | RES 499 1% 1/10W SM 0805 TA | PT1102 | R499-C1-0805 | 0805 |
| 4 | R7 R28 R38 R53 | 52-3206 | RES 5.11K 1% 1/10W SM 0805 TA | PT1735 | R5.11KC1-0805 | 0805 |
| 2 | R3 R5 | 52-4503 | RES 60.4 1% 1/10W SM 0805 TA | PT1128 | R60.4-C1-0805 | 0805 |
| 2 | R17 R25 | 52-4483 | RES 9.53K 1% 1/10W SM 0805 TA | PT2155 | R9.53KC1-0805 | 0805 |
| 1 | RC1 | 32-3227 | RIBBON CABLE 6 CND 0.1" SPC 1.75" LG | PT2137 | RC6-323227 | PA1X6-100-039 |
| 1 | SW1 | 44-0050 | SWITCH DPDT MINI IN-OUT 6 PIN E-SWITCH | PT1256 | SW440050 | SW440050 |
| 1 | SW2 | 44-0051 | SWITCH, 4PDT, MINI IN-OUT, 12 PIN, E-SWITCH | PT1257 | SW440051 | SW440051 |
| 1 | SW3 | OMIT | OMIT SWITCH DPDT MINI IN-OUT 6 PIN E-SWITCH (44-0050) | PT2042 | SW440050-O | SW440050 |
| 1 | U2 | 72-1439 | IC, 5532MD, DUAL BIPOLAR OPAMP, SO8-200 | PT1306 | U5532MD-S | SO8-200 |
| 3 | U1 U4-5 | 72-1480 | IC, NJM4580, DUAL OP-AMP, SO8 | PT1374 | UNJM4580-S | SO8 |
| 1 | U3 | 72-1450 | IC, TL074, OP-AMP, QUAD, JFET, -INPUT, SO14, T&R | PT1049 | UTL074-S | SO14 |
| 1 | VR1 | 42-0006 | POT 10K SIDE ADJUST BK | PT2022 | VR10K420006 | VRTRIM4 |
| 1 | VR2 | 40-0082 | POT 5K A 9mm ROT 12.5mm D-SHAFT | PT2119 | VR5K400082 | VR9-12.5DH |
| 1 | VR3 | 40-0083 | POT 5K C 9mm HOR 15mm D-SFT | PT2120 | VR5K400083 | VR9X2-12.5DH |
| 1 | WA1 | 28-0187-A | WASHER, GROUNDING FOR 32-0118/32-0119 | PT1361 | WA280187A | WA280187A |

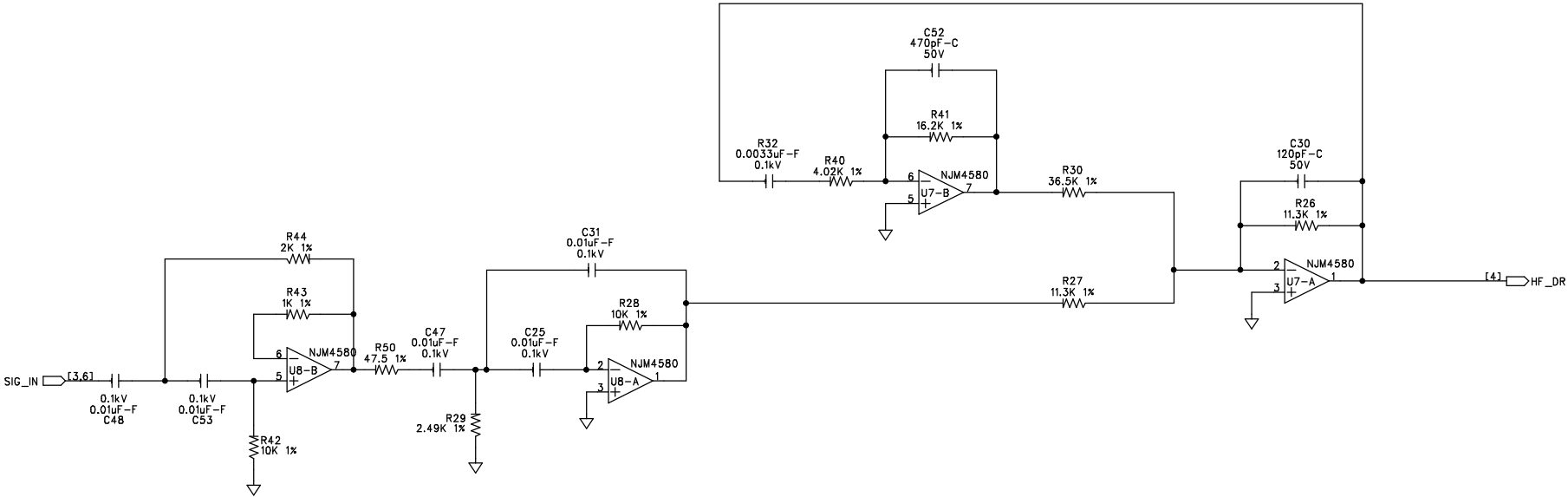
| Qty | Reference | HMG# | Description | Audit | Schematic Part | PCB Decal |
|-----|----------------------------|------------|--|--------|----------------|----------------|
| 1 | PCB1 | 80-6393 | PCB 80-6393 EON10 GII Main Board | PT2044 | 80XXXXXY | BARCODE |
| 1 | BR1 | 70-0094 | DIO BRGE RECT 200V 10A BK | PT2308 | BR700094 | BRIDGE4 |
| 41 | A1-41 | NON-PART | NON-PART, PCB ONLY, BREAKOFF PART | PT1481 | BRKOFF | BRKOFF |
| 1 | R32 | 56-0003 | CAP, 0.0033uF, FILM, 100V, 5%, RFCC200, AMMO | PT1103 | C0.0033UF100JR | RFCC200 |
| 5 | C25 C31 C47-48 C53 | 56-0006 | CAP, 0.01uF, FILM, 100V, 5%, RFDD200, AMMO | PT1379 | C0.01UF100JR | RFDD200 |
| 2 | C26 C49 | 56-0008 | CAP, 0.022uF, FILM, 100V, 5%, RFED200, AMMO | PT1399 | C0.022UF100JR | RFED200 |
| 2 | C39 C50 | 56-0010 | CAP, 0.047uF, FILM, 50V, 5%, RFEC200, AMMO | PT1002 | C0.047UF50JR | RFEC200 |
| 1 | C28 | 56-0013 | CAP, 0.15uF, FILM, 50V, 5%, RFEC200, AMMO | PT1199 | C0.15UF50JR | RFEC200 |
| 16 | C9-10 C17-18 C32-37 C41-46 | 62-3139 | CAP, 0.1uF, CER, 50V, 20%, 0805, T&R | PT1087 | C0.1UC50M0805 | 0805 |
| 3 | C54 C56-57 | 62-0076 | CAP 0.1uF FILM 250V 5% BULK | PT2143 | C0.1UF250JR | RFMF300 |
| 3 | C1-2 C27 | 62-0056 | CAP 0.1uF FILM 250V 10% BK | PT2140 | C0.1UF250KR1 | RFNJ400 |
| 4 | C29 C38 C40 C51 | 56-0040 | CAP, 0.39uF, FILM, 50V, 5%, RFEE200, AMMO | PT1078 | C0.39UF50JR | RFEE200 |
| 6 | C12-14 C16 C19-20 | 60-1074 | CAP 10uF ELEC 50V 20% 105C 5 X 11 TA | PT1972 | C10UE50MR1 | REE200P |
| 1 | C30 | 62-3135 | CAP, 120pF, CER, 50V, 5%, 0805, T&R | PT1440 | C120PC50J0805 | 0805 |
| 3 | C11 C15 C21 | 60-0044-01 | CAP, 1uF, ELEC, 50V, 20%, RED200P, AMMO | PT1079 | C1UE50MR | RED200P |
| 1 | C23 | 62-3138 | CAP, 220pF, CER, 50V, 10%, 0805, T&R | PT1286 | C220PC50K0805 | 0805 |
| 1 | C24 | OMIT | OMIT, CAP, 220pF, CER, 50V, 10%, 0805, T&R, (62-3138) | PT1452 | C220PC50K0805O | 0805 |
| 5 | C22 C58-61 | 60-0010 | CAP 22uF ELEC 35V 20% AMMO | PT2110 | C22UE35MR | REE200P |
| 1 | C55 | 60-0404 | CAP, 4.7uF, ELEC, 63V, 20%, REE200P, AMMO | PT1105 | C4.7UE63MR | REE200P |
| 3 | C5-6 C52 | 62-3133 | CAP, 470pF, CER, 50V, 10%, 0805, T&R | PT1086 | C470PC50K0805 | 0805 |
| 2 | C4 C7 | 62-3132 | CAP, 47pF, CER, 50V, 5%, 0805, T&R | PT1085 | C47PC50J0805 | 0805 |
| 2 | C3 C8 | OMIT | OMIT, CAP, 47pF, CER, 50V, 5%, 0805, T&R, (62-3132) | PT1575 | C47PC50J0805O | 0805 |
| 2 | C62-63 | 60-0004 | CAP 5600uF ELEC 35V 20% 25X25 BK | PT2454 | C5600UE35MR | REZ400P |
| 3 | D1 D3-4 | 70-0113 | DIO, MMBD4148SE, DUAL DIODE, 75V, 600mA, SOT-23, T&R | PT1326 | D1N4148SE-S | SOT-23 |
| 2 | D5-6 | 70-0154 | DIO MMSZ5246BT1 ZENER 16V SOD-123 TA | PT2082 | DMMSZ5246BT1-S | SOD-123 |
| 1 | D2 | 70-3203 | DIO SIG RECT 400V 1.0A SMA TA | PT2081 | DS1G-S | DO-214AC/SMA |
| 2 | A42-43 | NON-PART | NON-PART, FIDUCIAL, TARGET FOR AUTO INSERTION | PT1271 | FIDUCIAL | FIDUCIAL |
| 1 | P1 | 32-0135 | HDR 7 PIN .098 SPC 7X1 SHD VERT | PT2089 | HDR320135 | HC71V98SP |
| 1 | P3 | 32-0137 | HDR 2 PN 0.098 SPC 2X1 SHR VRT MT | PT1854 | HDR320137 | HC21V98SP |
| 1 | P2 | 32-1110 | HDR, 3 PIN, 0.165" SPC, 1 X 3, LCK, SHD, POL, VERT, MALE | PT1337 | HDR321110 | HC3LSP |
| 1 | HS2 | 14-6292 | HSK EXTRUSION EON10 G2 LEFT | PT2358 | HS146292 | HS146292 |
| 1 | HS1 | 14-6293 | HSK EXTRUSION EON10 G2 RIGHT | PT2359 | HS146293 | HS146293 |
| 3 | INS1-3 | 70-0054 | INSULATOR MICA FOR TO-3P BK | PT1995 | INS700054 | PCBNUL |
| 1 | DS1 | 70-2117 | LED, GRN, W/ SPACER, T1, RLD100, AMMO | PT1231 | LEDG702117 | RLD100 |
| 1 | GP1 | NON-PART | NON-PART MECCA GND/PWR TIE POINT 6 POS | PT2323 | MECCA6 | MECCA6 |
| 1 | MH3 | NON-PART | NON-PART MOUNTING HOLE 0.200" NON-PLATED | PT2132 | MH200 | MH200 |
| 7 | MH1-2 MH4 MH7-10 | NON-PART | NON-PART MOUNTING HOLE 0.250" NON-PLATED | PT2133 | MH250 | MH250 |
| 2 | MH5-6 | NON-PART | NON-PART, TOOLING PIN HOLE, 156MIL HOLE | PT1416 | MH156-TOOL | MH156-TOOL |
| 1 | Q1 | 70-1058 | XSTR, 2N3904, NPN, SOT-23, T&R | PT1203 | Q2N3904-S | SOT-23 |
| 1 | Q2 | 70-0037 | XSTR 2SA1370 PNP 200V 100mA TA | PT2088 | Q2SA1370 | TO92(ECB)-V |
| 1 | Q3 | 70-0033 | XSTR 2SB1186A PNP 1.5A 20W BK | PT2079 | Q2SB1186A | TO220FP(BCE)-V |
| 1 | Q4 | 70-0034 | XSTR 2SD1763A NPN 1.5A 20W BK | PT2080 | Q2SD1763A | TO220FP(BCE)-V |
| 1 | R47 | 52-0332 | RES 1.21K 1% 1/4W SM 1210 TA | PT2096 | R1.21KE1-1210 | 1210 |
| 2 | R19 R33 | 52-4519 | RES 1.37K 1% 1/10W SM 0805 TA | PT2112 | R1.37KC1-0805 | 0805 |
| 7 | R4 R6 R8 R22 R34-35 R38 | 52-0316 | RES 1.91K 1% 1/10W SM 0805 TA | PT2067 | R1.91KC1-0805 | 0805 |
| 3 | R1-2 R23 | 50-0057 | RES 10 5% 1W SM 2512 TA | PT1866 | R10-G5-2512 | 2512 |
| 1 | R24 | 52-1010 | RES 100K 1% 1/10W SM 0805 TA | PT2014 | R100KC1-0805 | 0805 |
| 6 | R17 R28 R31 R39 R42 R45 | 52-4500 | RES 10K 1% 1/10W SM 0805 TA | PT1034 | R10KC1-0805 | 0805 |
| 2 | R26-27 | 52-4493 | RES 11.3K 1% 1/10W SM 0805 TA | PT2166 | R11.3KC1-0805 | 0805 |
| 1 | R46 | 52-0308 | RES 13.7K 1% 1/10W SM 0805 TA | PT2018 | R13.7KC1-0805 | 0805 |
| 1 | R41 | 52-4528 | RES 16.2K 1% 1/10W SM 0805 TA | PT2111 | R16.2KC1-0805 | 0805 |
| 2 | R20 R36 | 52-3237 | RES 17.4K 1% 1/10W SM 0805 TA | PT1705 | R17.4KC1-0805 | 0805 |
| 7 | R11-12 R16 R18 R21 R37 R43 | 52-4505 | RES 1K 1% 1/10W SM 0805 TA | PT1037 | R1KC1-0805 | 0805 |
| 1 | R29 | 52-0307 | RES 2.49K 1% 1/10W SM 0805 TA | PT2019 | R2.49KC1-0805 | 0805 |
| 1 | R10 | 52-4501 | RES 20K 1% 1/10W SM 0805 TA | PT1035 | R20KC1-0805 | 0805 |

| | | | | | |
|---|-------------|---------|--|----------------------|---------------|
| 2 | R13 R15 | 52-3242 | RES 280K 1% 1/10W SM 0805 TA | PT1696 R280KC1-0805 | 0805 |
| 1 | R44 | 52-4506 | RES 2K 1% 1/10W SM 0805 TA | PT1038 R2KC1-0805 | 0805 |
| 4 | R3 R5 R7 R9 | 52-3220 | RES 30.1K 1% 1/10W SM 0805 TA | PT1721 R30.1KC1-0805 | 0805 |
| 1 | R30 | 52-4492 | RES 36.5K 1% 1/10W SM 0805 TA | PT2160 R36.5KC1-0805 | 0805 |
| 1 | R40 | 52-4524 | RES 4.02K 1% 1/10W SM 0805 TA | PT1838 R4.02KC1-0805 | 0805 |
| 3 | R50-52 | 52-4553 | RES 47.5 1% 1/10W SM 0805 TA | PT1819 R47.5-C1-0805 | 0805 |
| 2 | R48-49 | 50-3603 | RES 5.1K 5% 1W SM 2512 TA | PT2059 R5.1KG5-2512 | 2512 |
| 1 | R14 | 52-4515 | RES 6.81K 1% 1/10W SM 0805 TA | PT1281 R6.81KC1-0805 | 0805 |
| 1 | R25 | 52-3213 | RES 634K 1% 1/10W SM 0805 TA | PT1728 R634KC1-0805 | 0805 |
| 3 | SR1-3 | 28-0015 | SCREW 4-40 W/SQ CONE WASHER PAN PH | PT2147 SR280015 | PCBNULL |
| 3 | U1-3 | 72-0015 | IC LM3886T PWR AMP W/MUTE 68W | PT2095 ULM3886T | TO220(11)-V |
| 5 | U4-8 | 72-1480 | IC, NJM4580, DUAL OP-AMP, SO8 | PT1374 UNJM4580-S | SO8 |
| 3 | WA1-3 | 28-0023 | WASHER #4 SHLDER BLK NYLON .031 HEIGHT | PT2171 WA280023 | PCBNULL |
| 1 | WH4 | 36-0140 | HRN 1CND 18AWG WHT 8" W/ FSTON | PT2318 WH360140 | PA1X1-000-100 |
| 1 | WH1 | 36-0141 | HRN 1CND 18AWG BLK 10" W/ FSTON | PT2319 WH360141 | PA1X1-000-100 |
| 1 | WH3 | 36-0142 | HRN 1CND 18AWG BLU 8" W/ FSTON | PT2320 WH360142 | PA1X1-000-100 |
| 1 | WH5 | 36-0143 | HRN 2CND 24AWG WHT/BLK 10" | PT2321 WH360143 | WH360143 |
| 1 | WH2 | 36-0144 | HRN 1CND 18AWG RED 10" W/ FSTON | PT2322 WH360144 | PA1X1-000-100 |

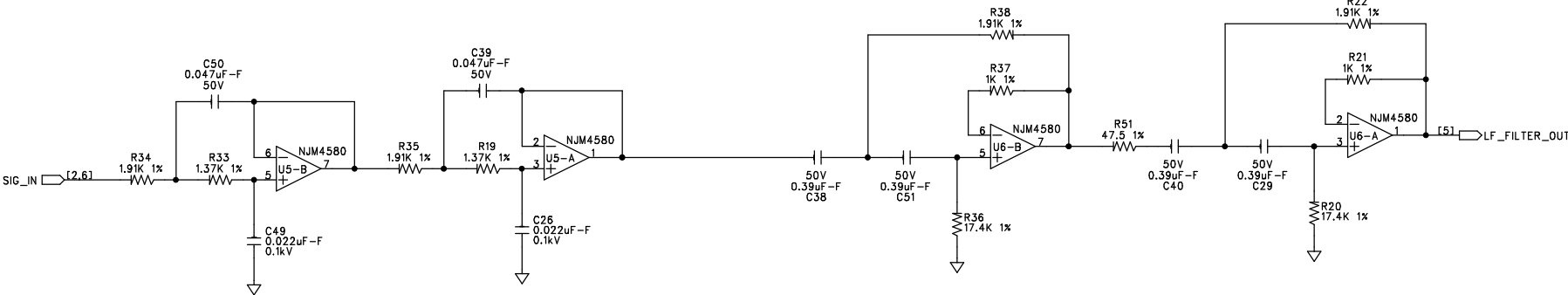


| REV | DESCRIPTION | ECN # | INIT | DATE |
|-----|---|-------|------|----------|
| B0 | Change mounting Hole MH3 from 0.25" to 0.200" | 1714 | MRC | 06/18/01 |
| A2 | Change C28 from 0.1uF(56-0012) to 0.15uF(56-0013) | 1710 | MRC | 06/14/01 |
| A1 | Change C63 & C62 from 60-0003 to 60-0004 | 1686 | MRC | 05/04/01 |
| A0 | Released to Production | XXXX | MRC | 10/26/00 |

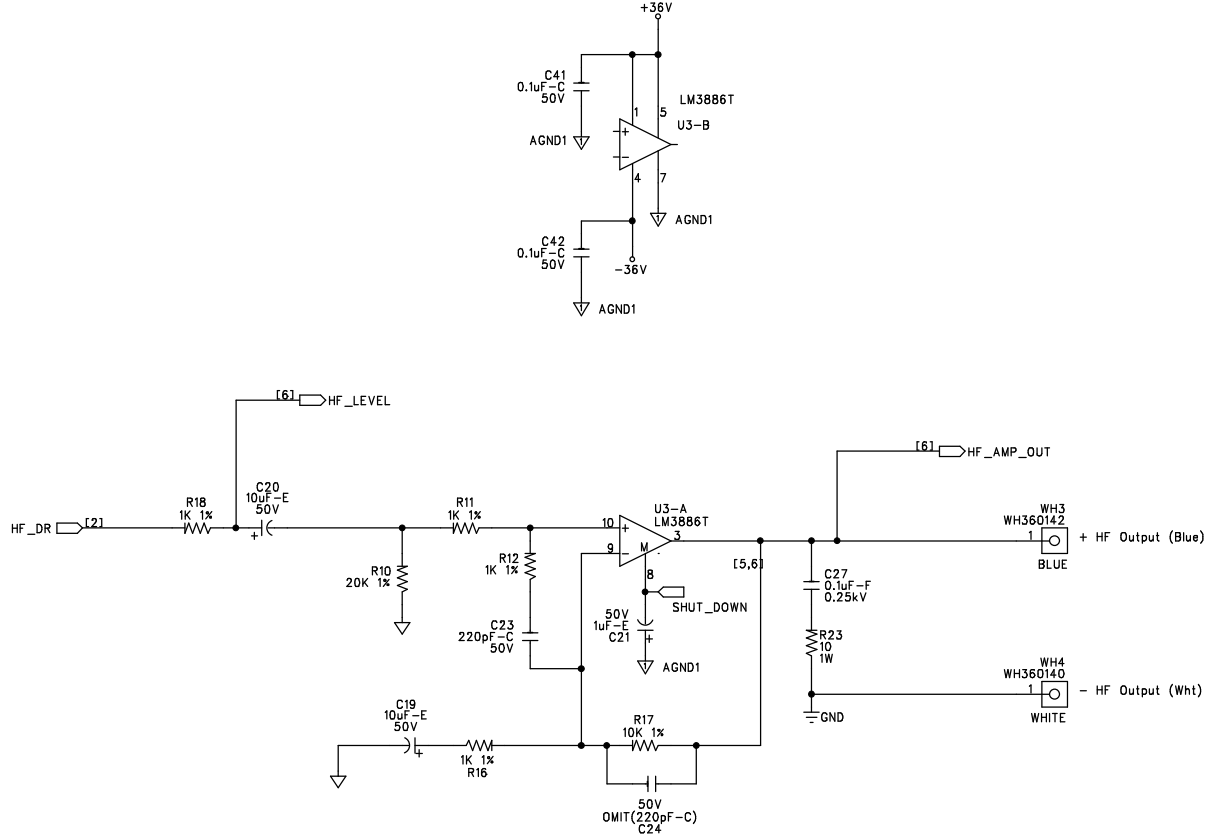
| REVISION HISTORY | | | | |
|---|------------------------|--------------------------------------|---------------|--|
| <p>JBL Pro 8760 South Sandy Parkway Sandy Utah 84070</p> | | | | |
| TITLE: JBL E0N10 G2 | | | | |
| DESIGNER: Mark Corbridge | | ENGINEER: Dan Sealey and John Elliot | | |
| SIZE: A | DRAWING NO: 05-6393 | | REVISION B0 | |
| DATE: 06/18/01 | FILENAME: 056393B0.sch | | SHEET: 1 OF 6 | |



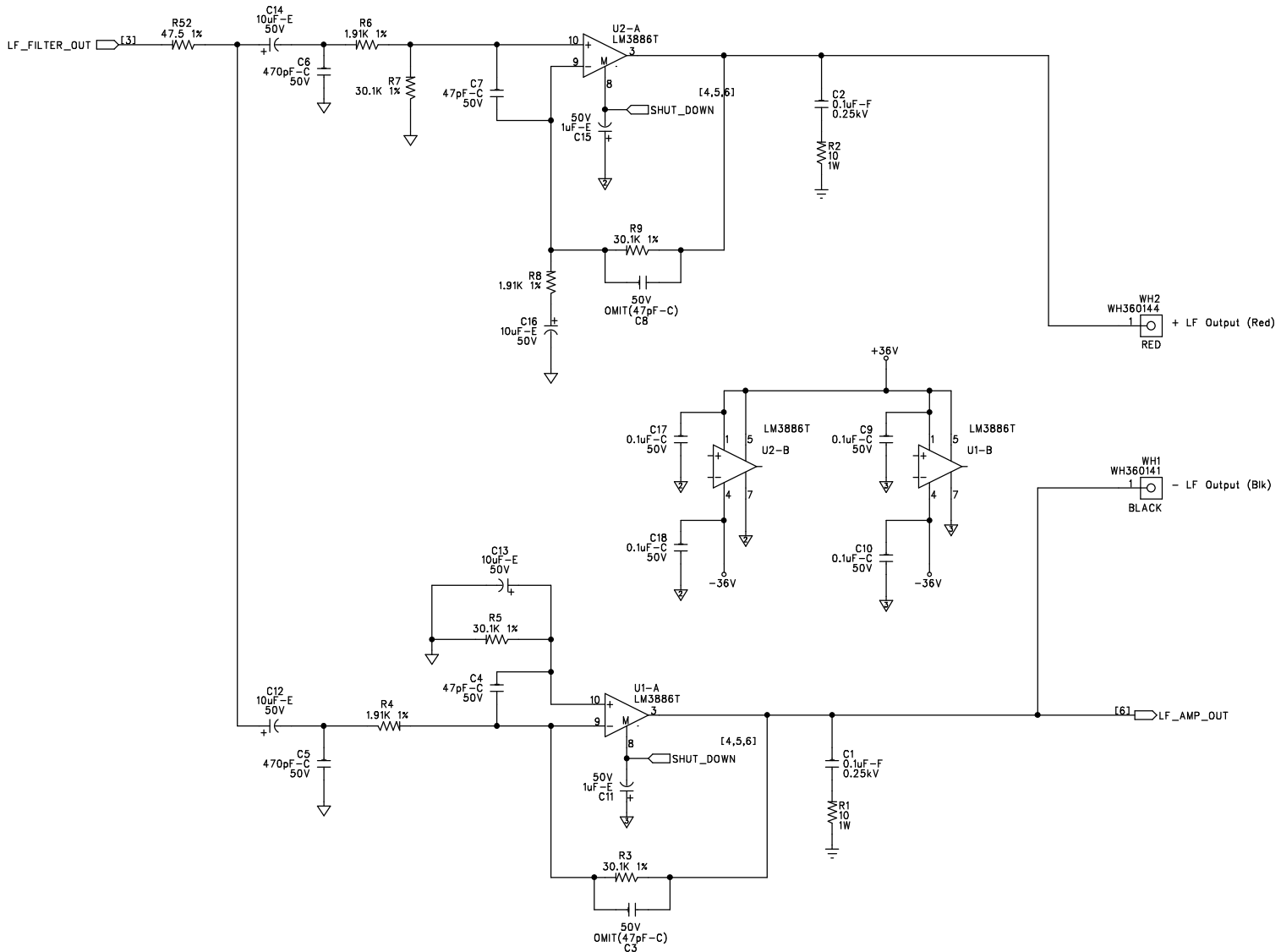
| | | |
|----------------|----------------------------|---------------|
| SIZE: A | SHEET TITLE: HF PROCESSING | REVISION B0 |
| DATE: 06/18/01 | DRAWING NO: 05-6393 | SHEET: 2 OF 6 |



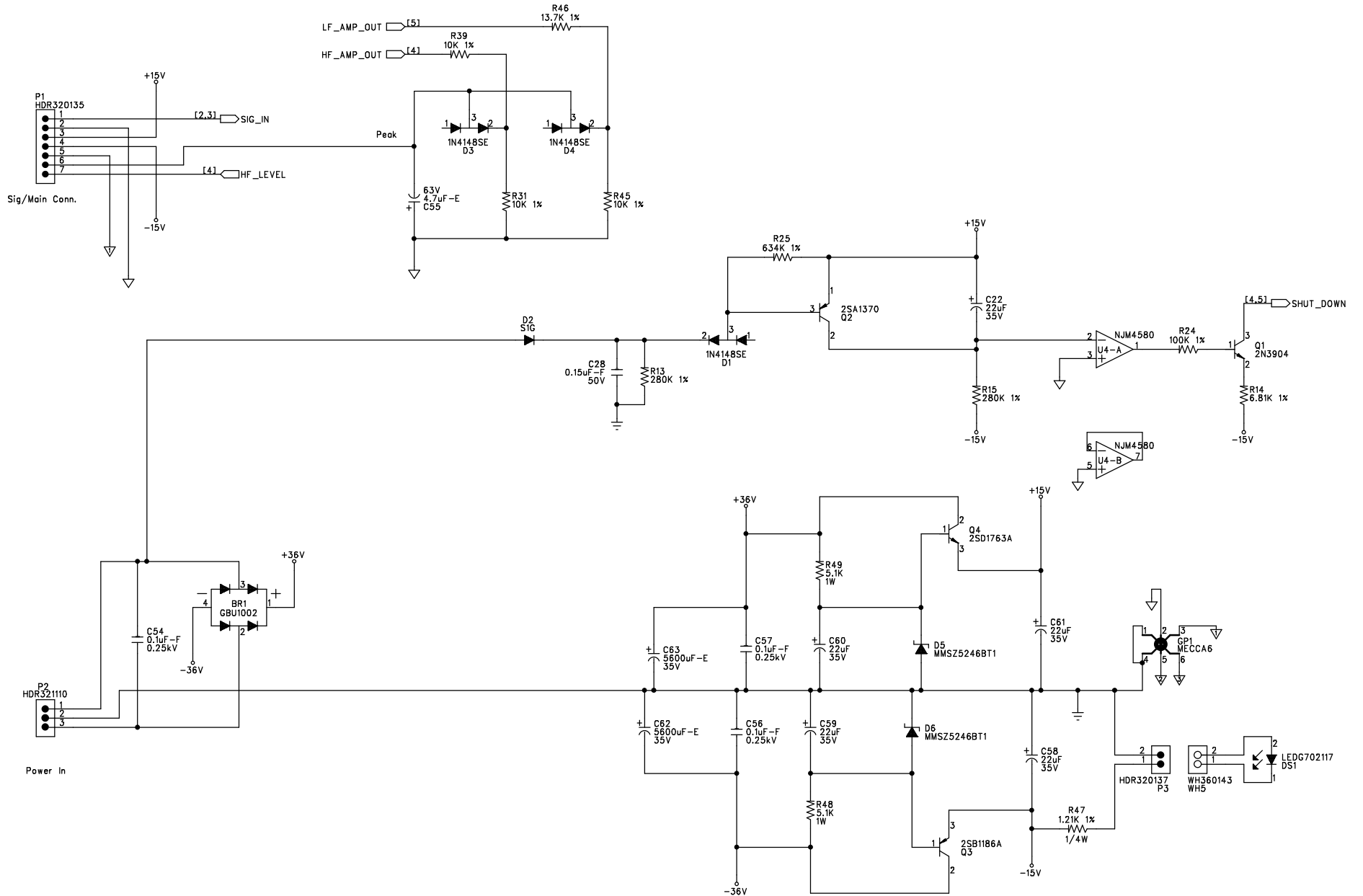
| | | |
|----------------|----------------------------|---------------|
| SIZE: A | SHEET TITLE: LF PROCESSING | REVISION: B0 |
| DATE: 06/18/01 | DRAWING NO: 05-6393 | SHEET: 3 OF 6 |



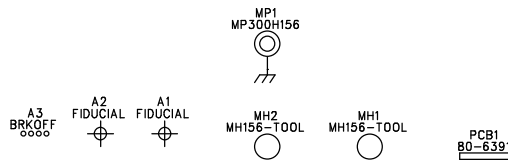
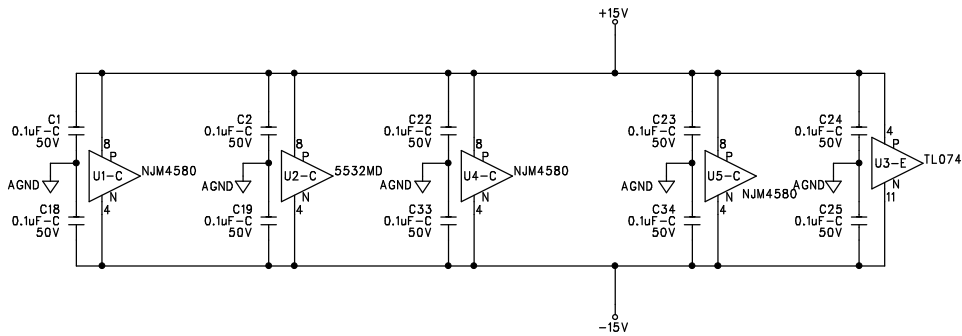
| | | |
|----------------|---------------------------------|---------------|
| SIZE: A | SHEET TITLE: HF AMPLIFIER STAGE | REVISION: B0 |
| DATE: 06/18/01 | DRAWING NO: 05-6393 | SHEET: 4 OF 6 |



| | | |
|----------------|---------------------------------|---------------|
| SIZE: A | SHEET TITLE: LF AMPLIFIER STAGE | REVISION: B0 |
| DATE: 06/18/01 | DRAWING NO: 05-6393 | SHEET: 5 OF 6 |



| | | |
|----------------------|---------------------------|---------------|
| SIZE: A | SHEET TITLE: POWER SUPPLY | REVISION: B0 |
| START DATE: 06/18/01 | DRAWING NO: 05-6393 | SHEET: 6 OF 6 |



| | | | | |
|--|--|--|--|--|
| | | | | |
| | | | | |
| | | | | |
| | | | | |
| | | | | |
| | | | | |
| | | | | |
| | | | | |
| | | | | |
| | | | | |
| | | | | |
| | | | | |
| | | | | |
| | | | | |
| | | | | |
| | | | | |
| | | | | |
| | | | | |
| | | | | |
| | | | | |
| | | | | |
| | | | | |
| | | | | |

| A0 | Release to Production | XXXX | MRC | 10/27/00 |
|-----|-----------------------|-------|------|----------|
| REV | DESCRIPTION | ECN # | INIT | DATE |

REVISION HISTORY

JBL Professional
8760 South Sandy Parkway Sandy Utah 84070

TITLE: **EON10 GII
SIGNAL INPUT PCBA**

DESIGNER: **Mark Corbridge** ENGINEER: **John C. Elliot**

| | | |
|-----------------------|-------------------------------|----------------------|
| SIZE: A | DRAWING NO: 05-6391 | REVISION: A0 |
| DATE: 10/27/00 | FILENAME: 056391A0.SCH | SHEET: 1 OF 3 |

Technical Manual



JBL EON10-G2

SPECIFICATIONS

ACOUSTIC & ELECTRICAL SPECIFICATIONS:

- Amplifier Power LF: 125 Watts @ Low Frequency
Driver Impedance.
- Amplifier Power HF: 50 Watts @ High Frequency
Driver Impedance
- Frequency Range: 65 Hz – 18 kHz (± 10dB)
- Frequency Response: 90 Hz – 16 kHz (± 3 dB)
- Horizontal Coverage: 90° Nominal
- Vertical Coverage: 60° Nominal
- Rated Maximum SPL: 117 dB, @ 1 M
- Crossover Frequency: 2.7 kHz

SYSTEM COMPONENTS:

- Low Frequency Transducer: Integral Frame with one 10" (254 mm) Driver, Neodymium Magnet, 1.5" Differential-Drive Voice Coil
- DC Resistance: 5.4 ohm ±10%
- High Frequency Transducer: JBL 2412H 1" Compression Driver, Titanium Diaphragm, Ferro-fluid Cooled, 8 ohm
- DC Resistance: 4.3 ohm ±10%

SYSTEM COMPONENTS: (CONT'D)

- Input 1 Sensitivity: -48 dBu to 0 dBu for Rated Output (Mic/Line Switch in Mic Position)
-6 dBu to +20 dBu for Rated Output (Mic/Line Switch in Line Position)
- Input 2 & 3 Sensitivity: -12 dBu to +20 dBu for Rated Output
- Output Level: +26 dBu (Max), Loop/Mix Switch in Mix Position

AURAL SWEEP TEST SPECIFICATIONS:

- A. System Aural Sweep Test: 250 MV Input RMS, Pot at 1/2, Tone flat, Way 20 Hz to 20 kHz
- B. L.F. Aural Sweep Test: 4.0V Input, 20 Hz to 4 kHz
- C. H.F. Aural Sweep Test: 2.5V Input, 500 Hz to 20 kHz

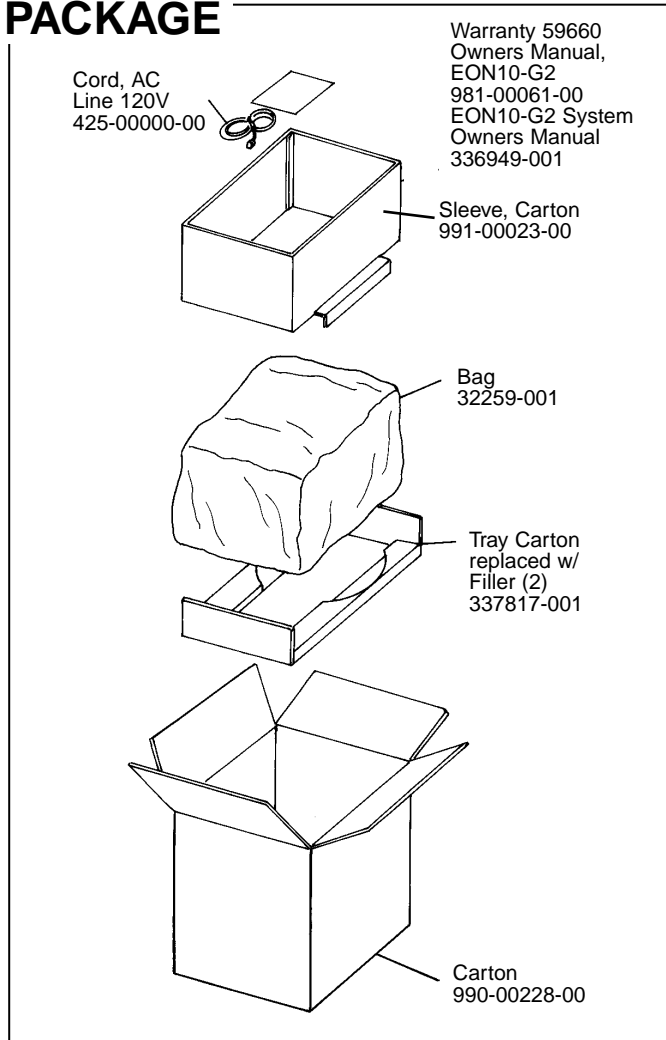
PHYSICAL SPECIFICATIONS:

- Enclosure Dimensions: 493mm x 356mm x 307mm D (19.4 x 14.0 x 12.1 in. D)
- Shipping Weight: 26 lbs. (11.8 kg.)

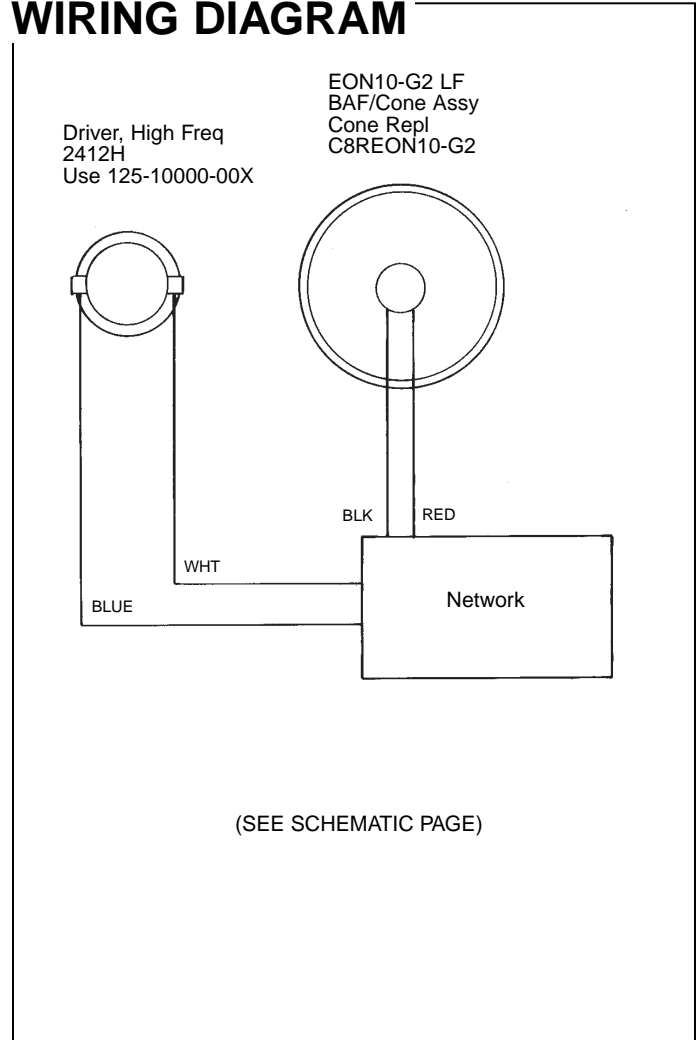
WARRANTY INFORMATION:

- Refer to Warranty Statement packed with each product.

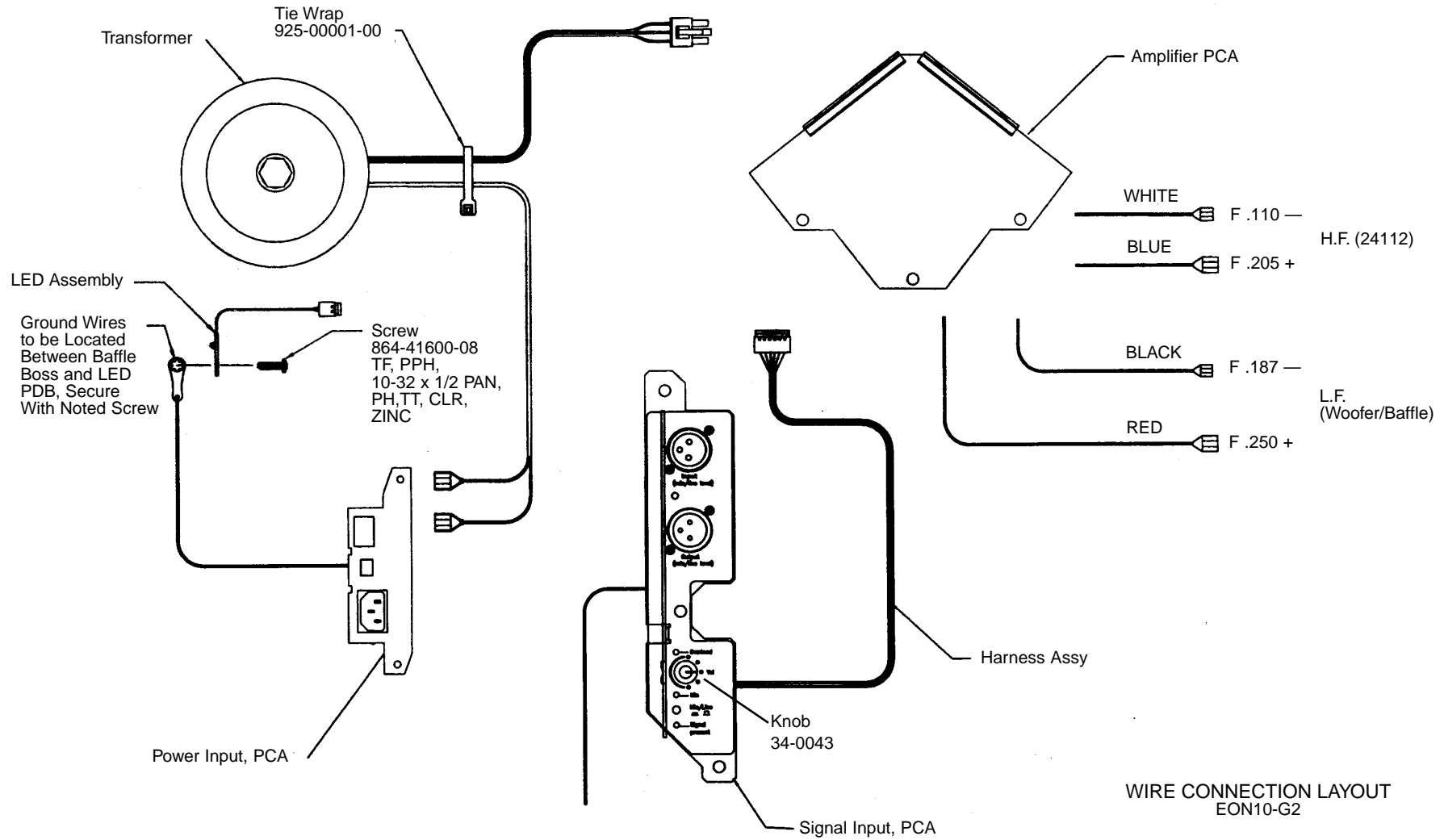
PACKAGE



WIRING DIAGRAM



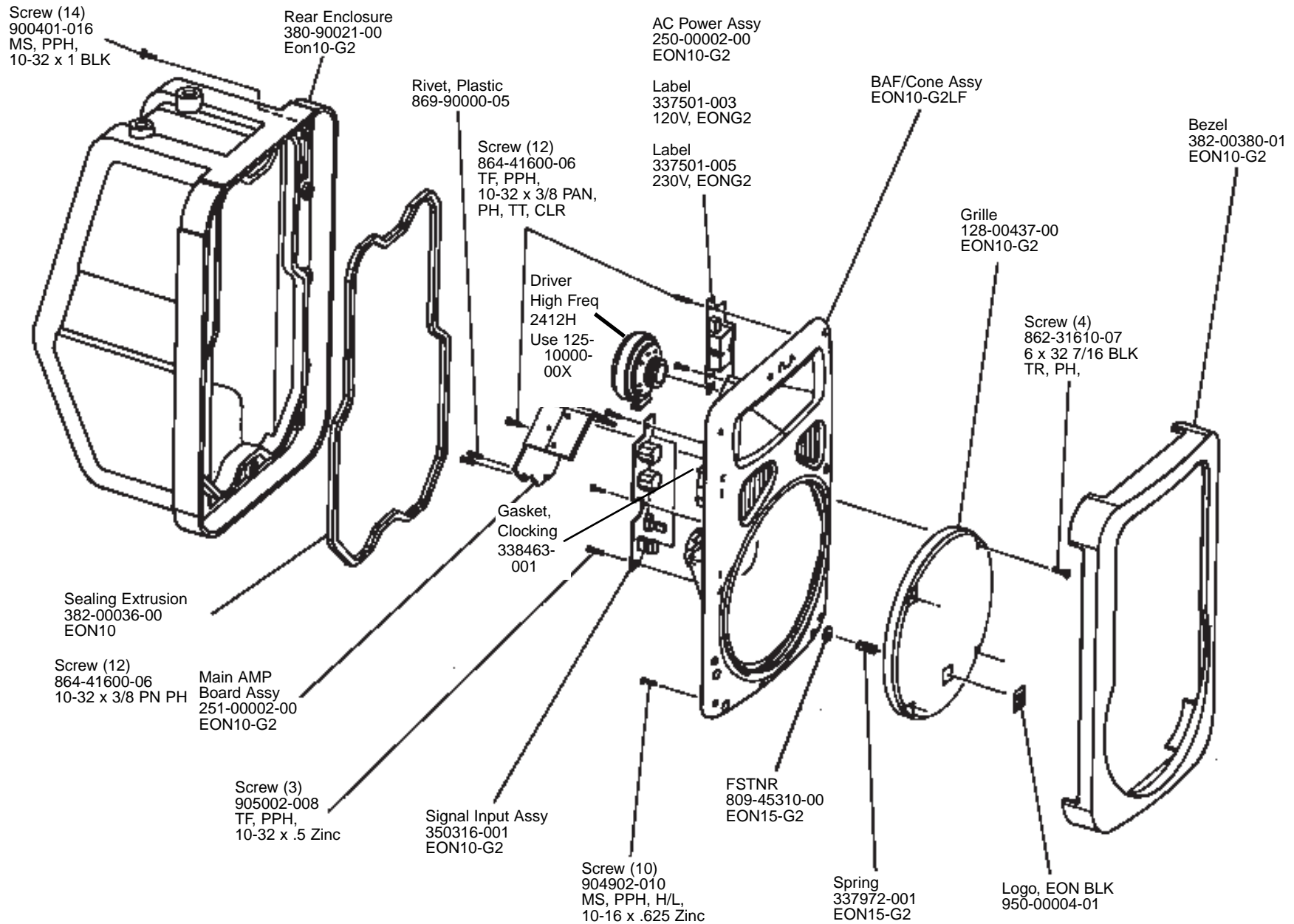
JBL EON10-G2



JBL EON10-G2

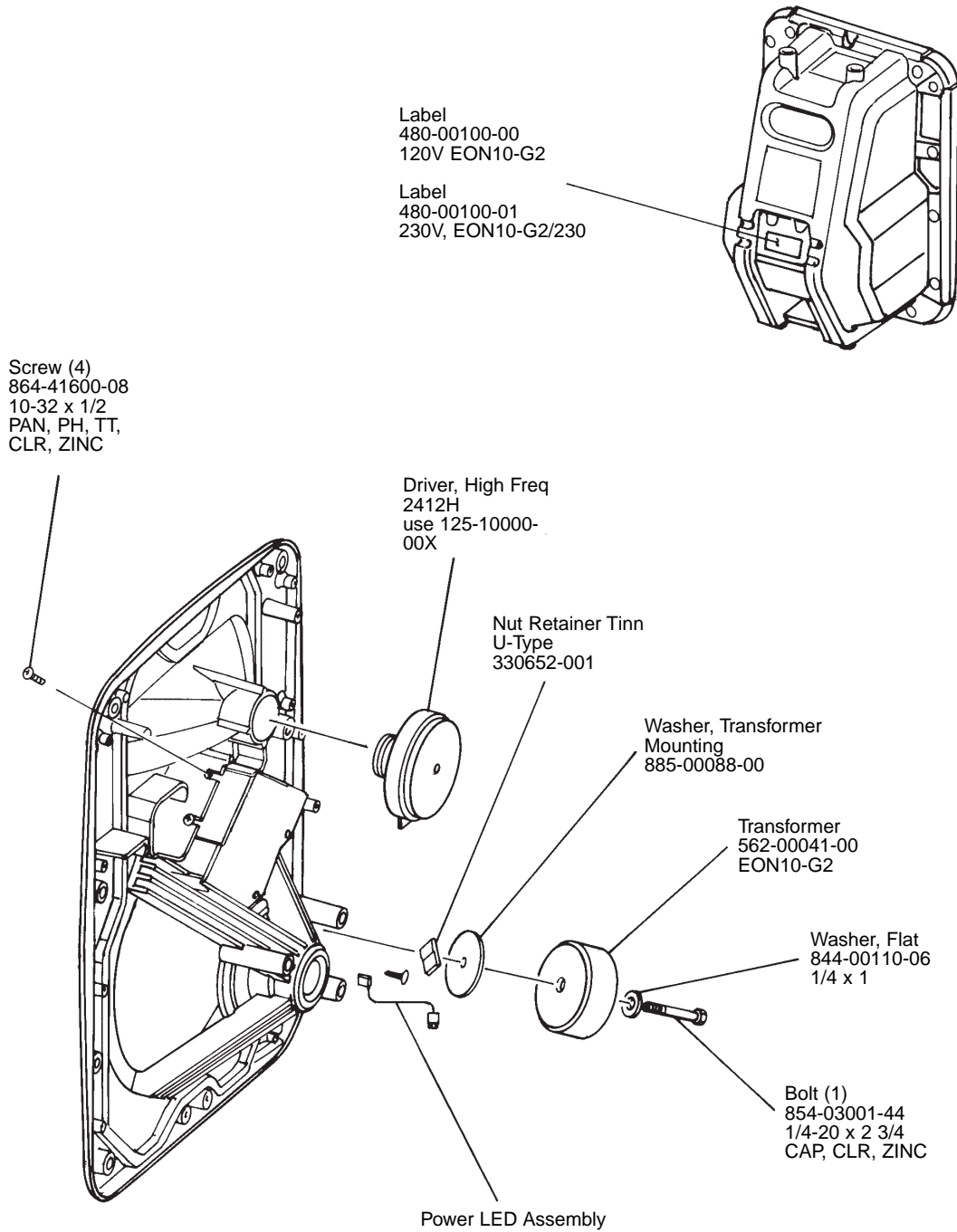
COMPONENT EXPLODED VIEW

JBL EON10-G2



JBL EON10-G2

COMPONENT EXPLODED VIEW



JBL EON10-G2