

Technical Manual



JBL EON15-G2

SPECIFICATIONS

ACOUSTIC & ELECTRICAL SPECIFICATIONS:

- Power Capacity: 300 Watts @ Low Frequency Driver Impedance.
100 Watts @ High Frequency Driver Impedance
- Frequency Range: 39 Hz – 18 kHz (± 10dB)
- Sensitivity: 129 dB SPL, 1 Watt @ 1 Meter
- Crossover Frequency: 1.5 kHz

SYSTEM COMPONENTS:

- Low Frequency Transducer: Integral Frame with one 15" (380 mm) Driver, Dual Neodymium Magnet, 2" Differential-Drive Voice Coil
- DC Resistance: 1.4 ohm ±10%
- High Frequency Transducer: JBL 2418H-1 1" (Throat Dia.) Compression Driver with 1.75 Dia. Titanium Diaphragm. Ferro-fluid Cooled.
- DC Resistance: 3.7 ohm ±10%
- Input 1 Sensitivity: -44 dBu to -22 dBu for Rated Output (Mic/Line Switch in Mic Position)
-12 dBu to +20 dBu for Rated Output (Mic/Line Switch in Line Position)

SYSTEM COMPONENTS: (CONT'D)

- Input 2 & 3 Sensitivity: -18 dBu to +20 dBu for Rated Output
- Output Level: +20 dBu (peak), Loop/Mix Switch in MIX position.
- Audio Connectors: Input 1: XLR/F Balanced
Input 2 & 3: 1/4" Phone, Balanced (TRS)

AURAL SWEEP TEST SPECIFICATIONS:

- A. System Aural Sweep Test: 200mv input RMS, pot at 1/2, tone flat.
- B. L.F. Aural Sweep Test: 4.0V Input, 20 Hz to 4 kHz
- C. H.F. Aural Sweep Test: 3.5V Input, 500 Hz to 20 kHz

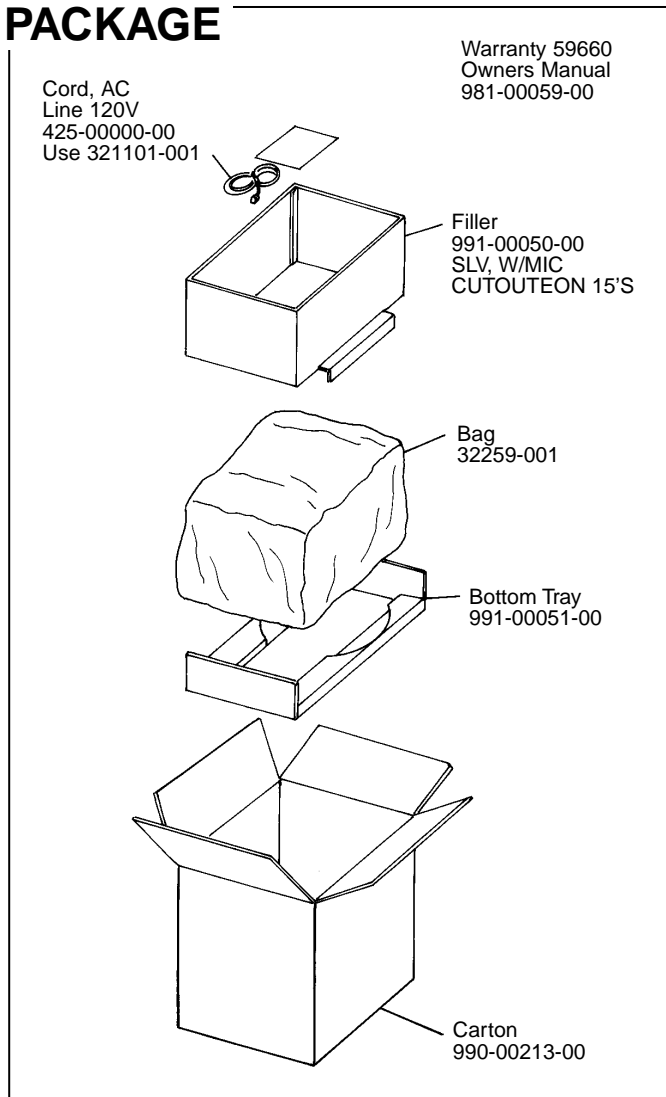
PHYSICAL SPECIFICATIONS:

- Enclosure Dimensions: 686mm x 430mm x 444mm D (27.0 x 17.0 x 17.5 in. D)
- Shipping Weight: 46 lbs. (21 kg.)

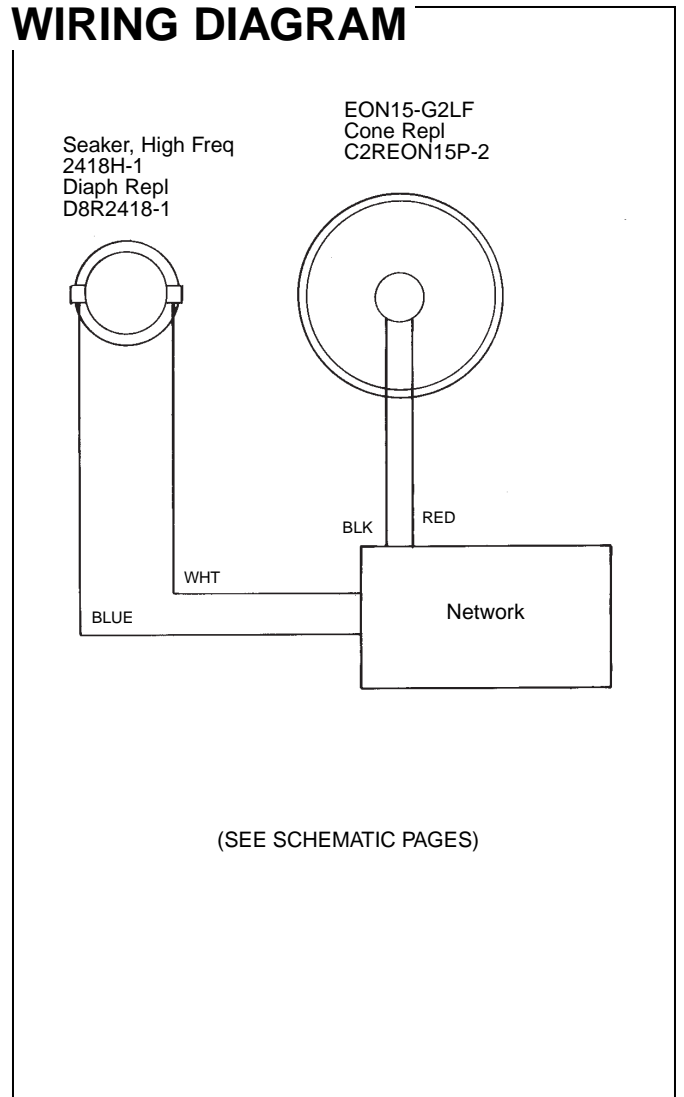
WARRANTY INFORMATION:

- Refer to Warranty Statement packed with each product.

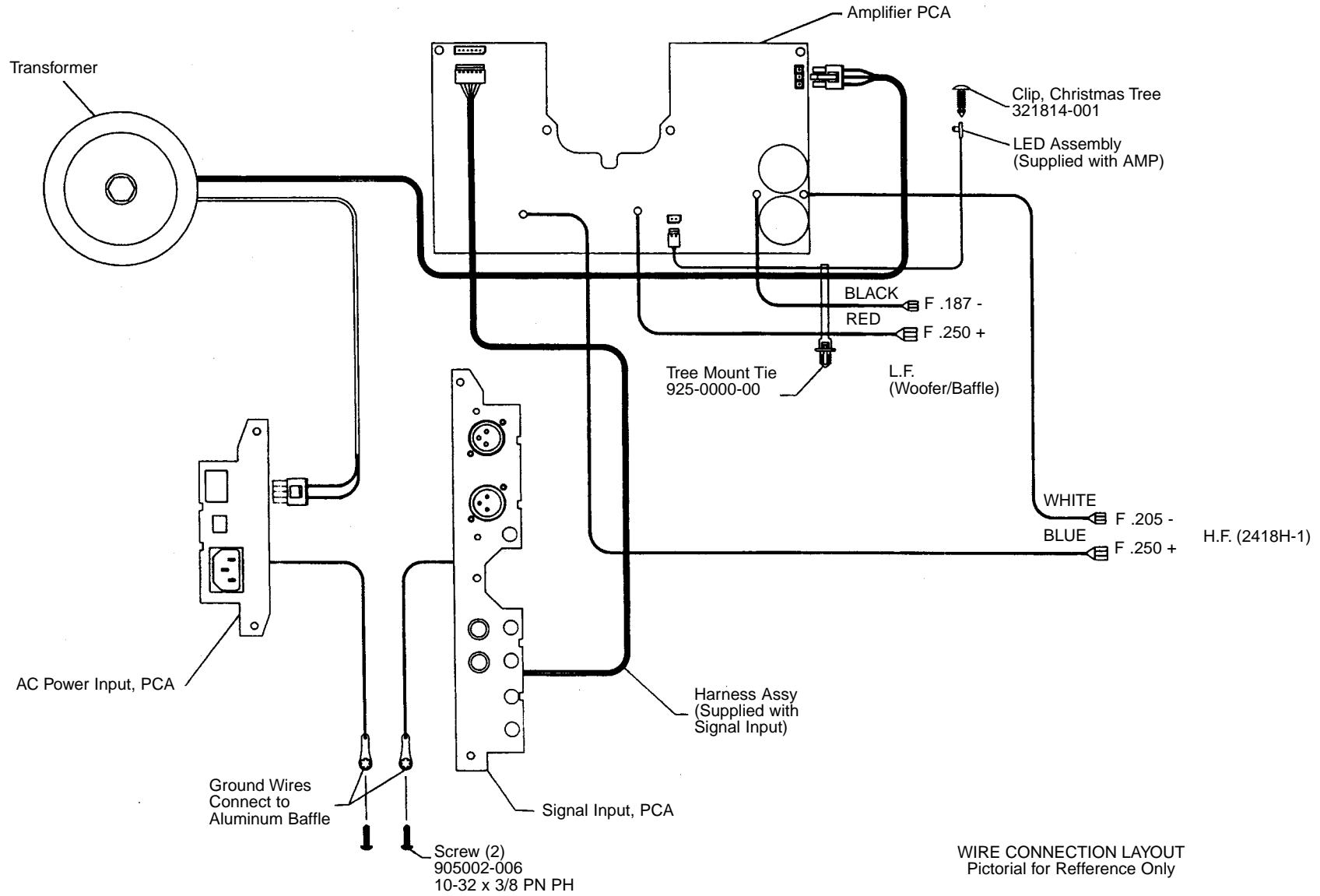
PACKAGE



WIRING DIAGRAM



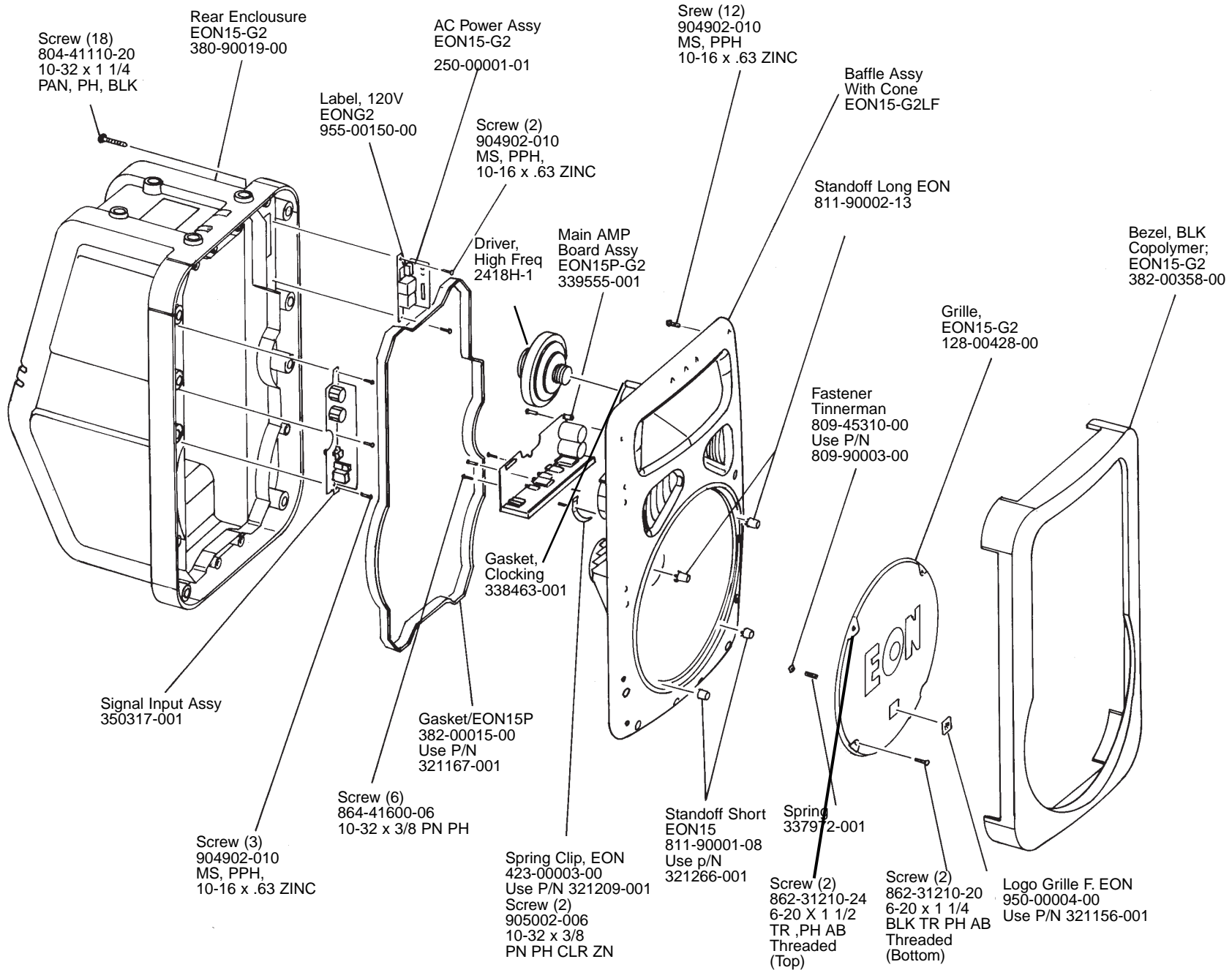
JBL EON15-G2



JBL EON15-G2

JBL EON15-G2

COMPONENT EXPLODED VIEW

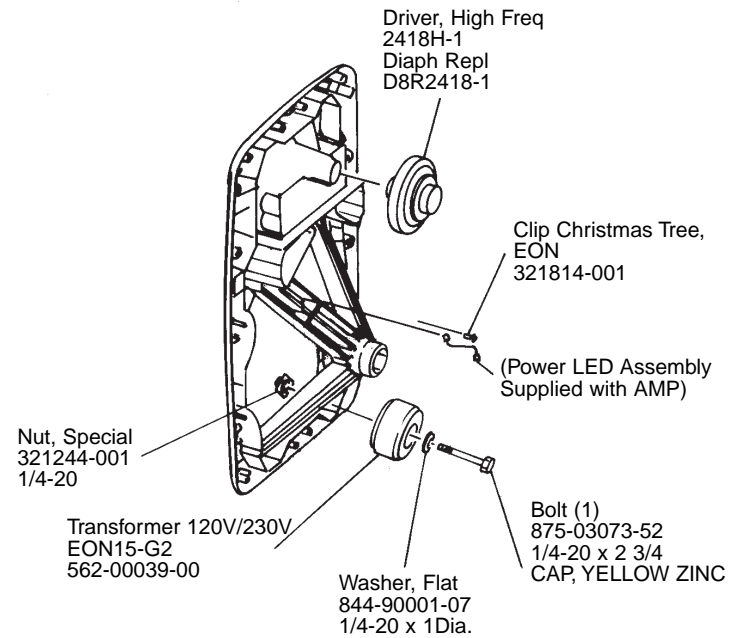
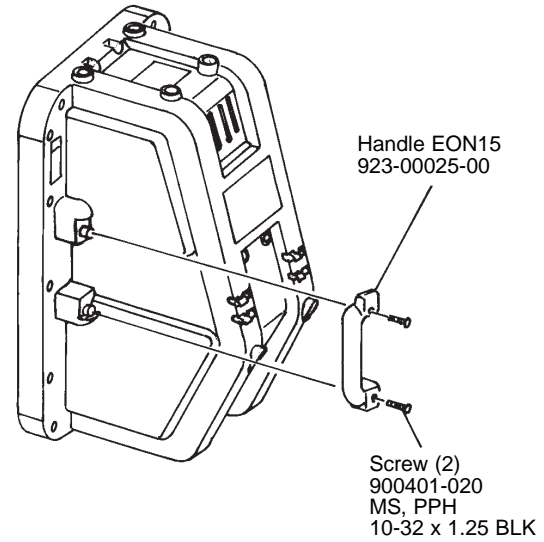
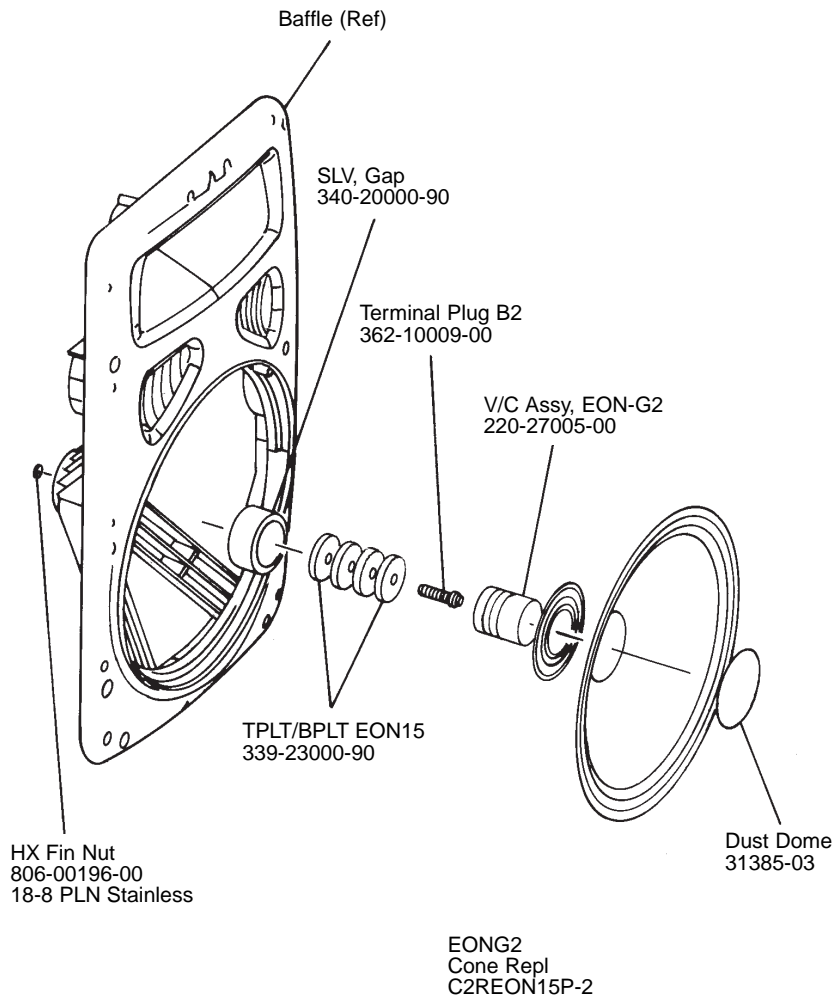


JBL EON15-G2

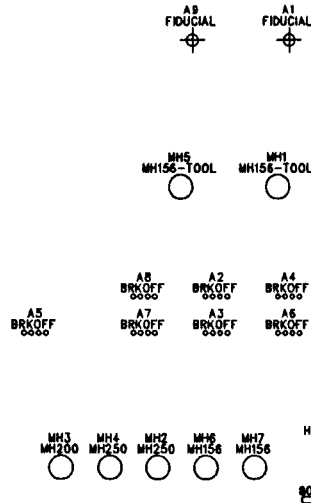
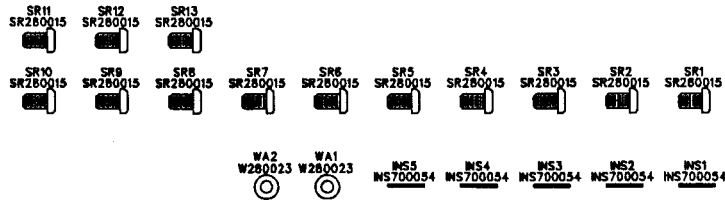
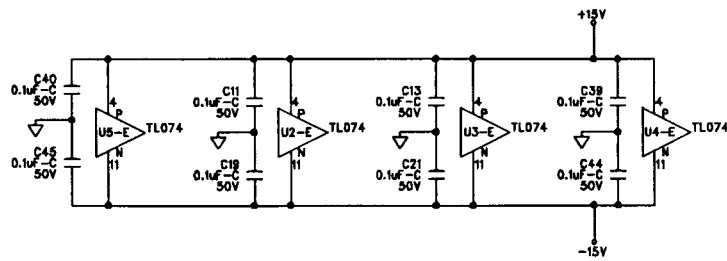
JBL EON15-G2

COMPONENT EXPLODED VIEW

JBL EON15-G2

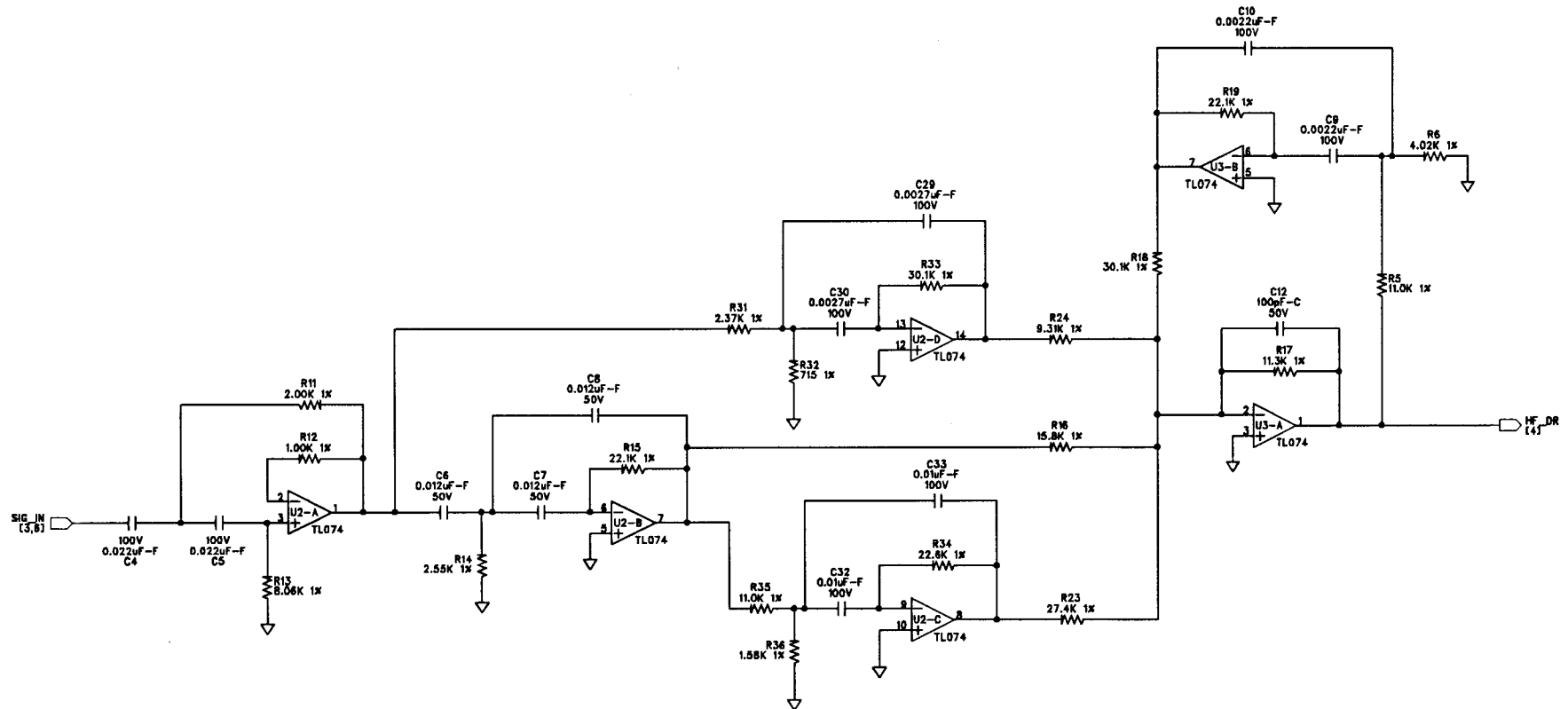


JBL EON15-G2



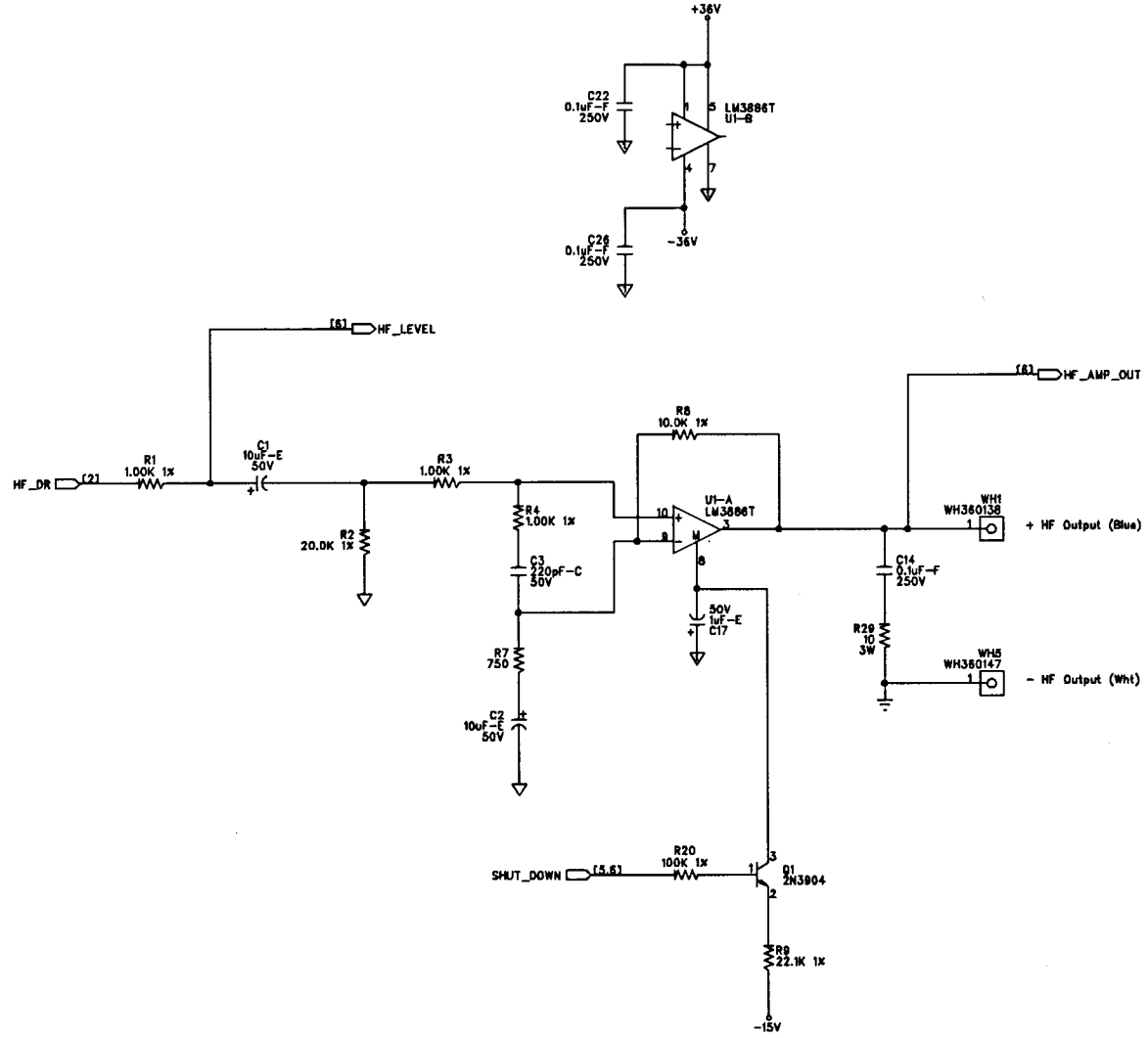
JBL Professional 8760 South Sandy Parkway Sandy Utah 84070			
TITLE: SCHEMATIC EON15 GII MAIN PCBA			
DESIGNER: Mark Corbridge		ENGINEER: Tim Shuttleworth / Don Seeley	
SIZE: A	DRAWING NO: 05-6370		REVISION: C0
START DATE: 03/15/00	FILENAME: 056370C0.SCH	SHEET: 1 OF 6	

JBL EON15-G2



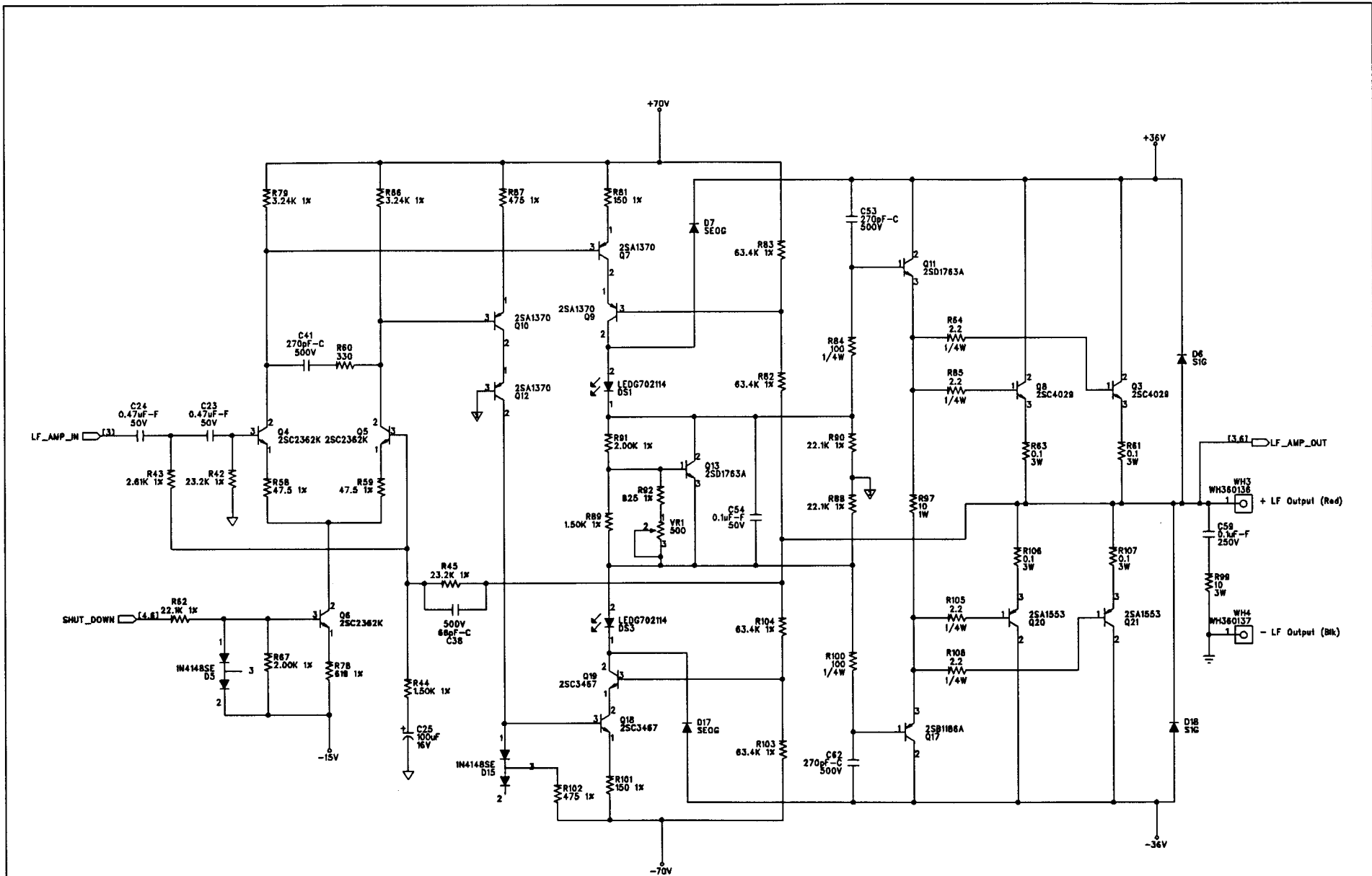
SIZE: A	SHEET TITLE: HF PROCESSING	REVISION: C0
START DATE: 03/15/00	DRAWING NO: 05-6370	SHEET: 2 OF 6

JBL EON15-G2



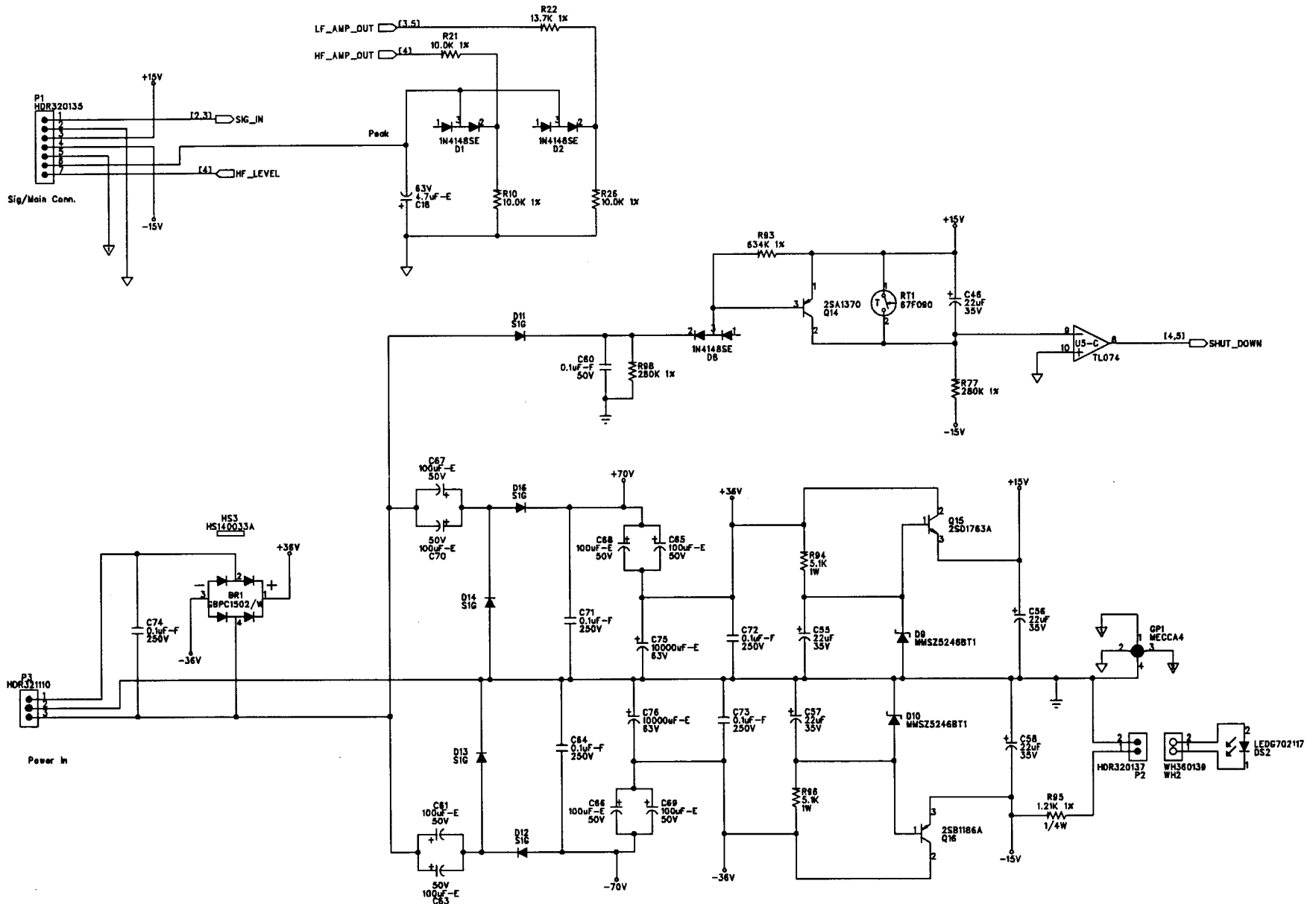
SIZE: A	SHEET TITLE: HF AMPLIFIER STAGE	REVISION: C0
START DATE: 03/15/00	DRAWING NO: 05-6370	SHEET: 4 OF 6

JBL EON15-G2



SIZE: A	SHEET TITLE: LF AMPLIFIER STAGE	REVISION C0
START DATE: 03/15/00	DRAWING NO: 05-6370	SHEET: 5 OF 6

JBL EON15-G2



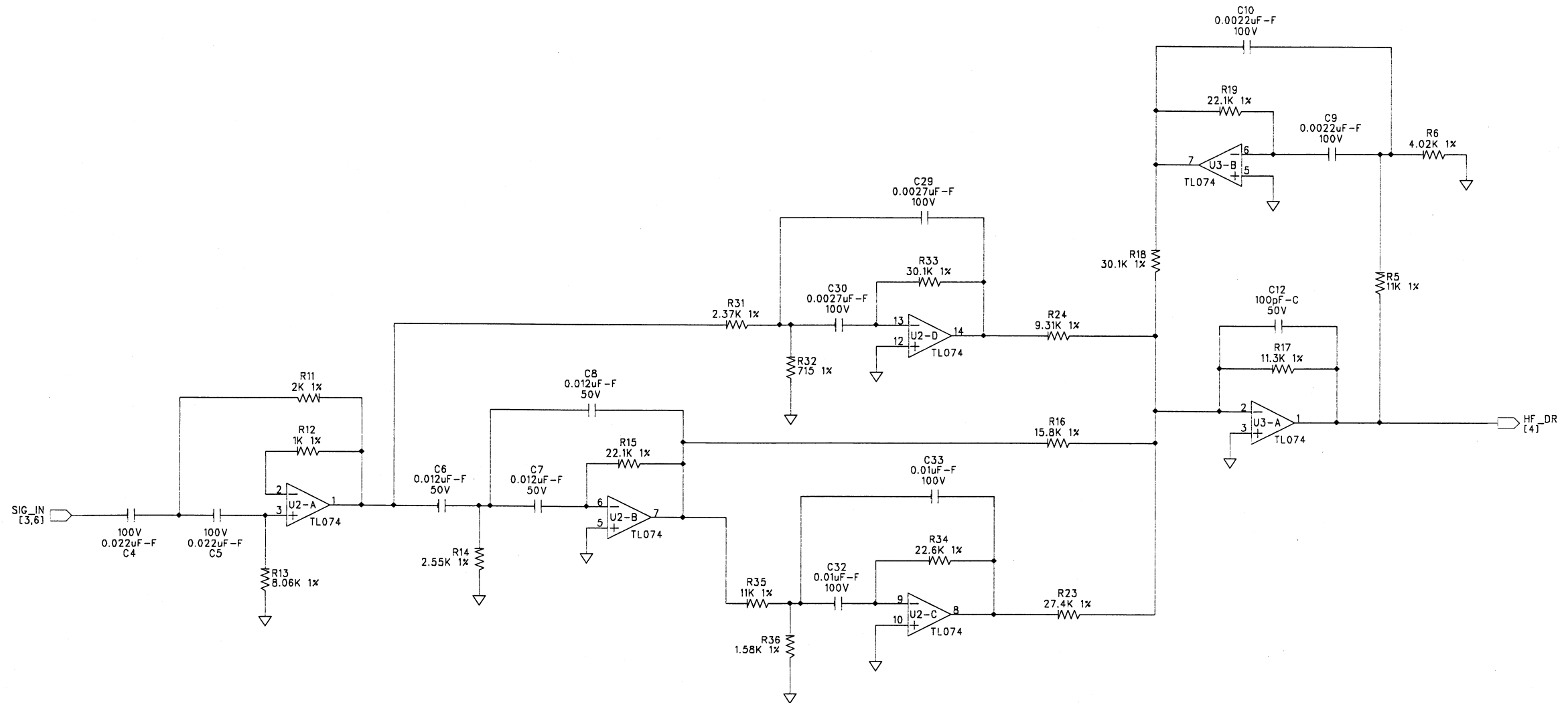
SIZE: A	SHEET TITLE: POWER SUPPLY	REVISION: C0
START DATE: 03/15/00	DRAWING NO: 05-6370	SHEET: 6 OF 6

Bill Of Materials for 339555-001.sch on Wed Feb 13 19:31:04 2002

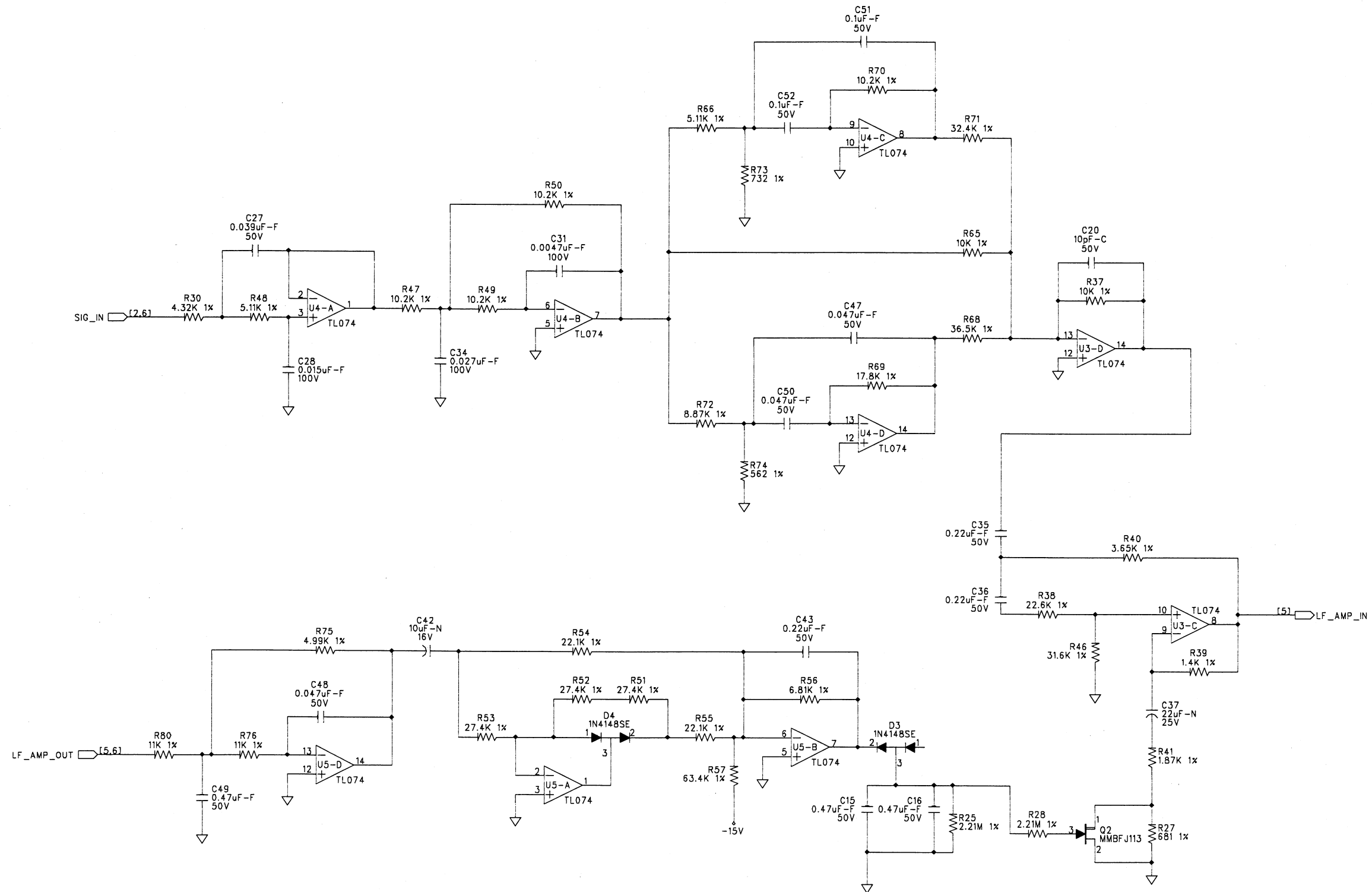
Qty	Reference	HMG#	Description	Audit	Schematic Part	PCB Decal
1	PCB1	339555	PCB 339555 JBL EON GII MAIN BOARD (ST AMP) RAW	BDP	80XXXXYY	BARCODE
1	BR1	70-0047	DIO BRGE RECT 200V 15A BK	PT2084	BR700047	BRI DGE2
7	A2-8	NON-PART	NON-PART, PCB ONLY, BREAKOFF PART	PT1481	BRKOFF	BRKOFF
2	C9-10	56-0002	CAP 0.0022uF FILM PTR 100V 5% RF TA	PT1001	C0.0022UF100JR	RFCC200
2	C29-30	56-0027	CAP 0.0027uF FILM PTR 100V 5% RF TA	PT1366	C0.0027UF100JR	RFCC200
1	C31	56-0004	CAP 0.0047uF FILM PTR 100V 5% RF TA	PT1201	C0.0047UF100JR	RFDC200
3	C6-8	56-0023	CAP 0.012uF FILM MTPT 50V 5% RF TA	PT2118	C0.012UF50JR	RFEC200
1	C28	56-0007	CAP 0.015uF FILM PTR 100V 5% RF TA	PT1198	C0.015UF100JR	RFDD200
2	C32-33	56-0006	CAP 0.01uF FILM PTR 100V 5% RF TA	PT1379	C0.01UF100JR	RFDD200
2	C4-5	56-0008	CAP 0.022uF FILM PTR 100V 5% RF TA	PT1399	C0.022UF100JR	RFED200
1	C34	56-0033	CAP 0.027uF FILM PTR 100V 5% RF TA	PT1282	C0.027UF100JR	RFEF200
1	C27	56-0034	CAP 0.039uF FILM MTPT 50V 5% RF TA	PT2099	C0.039UF50JR	RFEC200
3	C47-48 C50	56-0010	CAP 0.047uF FILM MTPT 50V 5% RF TA	PT1002	C0.047UF50JR	RFEC200
8	C11 C13 C19 C21 C39-40 C44-45	62-3139	CAP 0.1uF CER 50V 20% Y5V 0805 TA	PT1087	C0.1UC50M0805	0805
7	C22 C26 C64 C71-74	62-0076	CAP 0.1uF FILM MTPT 250V 5% RF BK	PT2143	C0.1UF250JR	RFMF300
2	C14 C59	62-0056	CAP 0.1uF FILM MTPL 250V 10% RF BK	PT2140	C0.1UF250KR1	RFNJ400
4	C51-52 C54 C60	56-0012	CAP 0.1uF FILM MTPT 50V 5% RF TA	PT1200	C0.1UF50JR	RFEC200
3	C35-36 C43	56-0014	CAP 0.22uF FILM MTPT 50V 5% RF TA	PT1077	C0.22UF50JR	RFED200
5	C15-16 C23-24 C49	56-0016	CAP 0.47uF FILM MTPT 50V 5% RF TA	PT1308	C0.47UF50JR	RFEF200
2	C75-76	60-0002	CAP 10000uF ELEC 63V 20% BULK	PT2103	C10000UE63MR	REZM400P
1	C78	62-3136	CAP 1000pF CER 50V 20% X7R 0805 TA	PT1109	C1000PC50M0805	0805
1	C12	62-3503	CAP 100pF CER 50V 5% COG 0805 TA	PT1786	C100PC50J0805	0805
1	C25	60-0201	CAP 100uF EL 16V 20% GP 6x8R 5LS TA	PT1378	C100UE16MR	REG200P
8	C61 C63 C65-70	60-1013	CAP 100uF EL 50V 20% GP 8x11R 5LS TA	PT1408	C100UE50MR	REJ200P
1	C20	62-3140	CAP 10pF CER 50V 5% COG 0805 TA	PT1088	C10PC50J0805	0805
2	C1-2	60-0090	CAP 10uF EL 50V 20% GP 5x11R 5LS TA	PT1206	C10UE50MR	REE200P
1	C42	60-0051-01	CAP 10uF ELNP 16V 20% GP 5x11R 5LS TA	PT1449	C10UN16MR	REE200
2	C3 C17	60-0044-01	CAP 1uF EL 50V 20% GP 5x7R 5LS TA	PT1079	C1UE50MR	RED200P
5	C46 C55-58	60-0010	CAP 22uF EL 35V 20% GP 5x11R 5LS TA	PT2110	C22UE35MR	REE200P
1	C37	60-0402	CAP 22uF ELNP 25V 20% GP 6x11R 5LS TA	PT1084	C22UN25MR	REG200
3	C41 C53 C62	62-0052	CAP 270pF CER 500V 5% TA	PT2097	C270PC500JR	RCLC200
1	C77	60-0324	CAP 33uF EL 63V 20% GP 6x11R 5LS TA	PT1436	C33UE63MR	REG200P
1	C18	60-0404	CAP 4.7uF EL 63V 20% LL 5x11R 5LS TA	PT1105	C4.7UE63MR	REE200P
1	C38	62-0050	CAP 68pF CER 500V 5% TA	PT2117	C68PC500JR	RCFC200
8	D1-5 D8 D15 D19	70-0113	DIO, MMBD4148SE, DUAL DIODE, 75V, 600mA, SOT-23, T&R	PT1326	DIN4148SE-S	SOT-23
2	D9-10	70-0154	DIO MMSZ5246BT1 ZENER 16V SOD-123 TA	PT2082	DMMSZ5246BT1-S	SOD-123
7	D6 D11-14 D16 D18	70-3203	DIO SIG RECT 400V 1.0A SMA TA	PT2081	DS1G-S	DO-214AC/SMA
2	D7 D17	70-3601	RECTIFIER, 400V, 1.5 AMP, SMB, T&R	PT1466	DSEOG-S	DO-214AA/SMB
2	A1 A9	NON-PART	NON-PART, FIDUCIAL, TARGET FOR AUTO INSERTION	PT1271	FIDUCIAL	FIDUCIAL
1	P1	32-0135	HDR 7 PIN .098 SPC 7X1 SHD VERT	PT2089	HDR320135	HC71V98SP
1	P2	32-0137	HDR 2 PN 0.098 SPC 2X1 SHR VRT MT	PT1854	HDR320137	HC21V98SP
1	P3	32-1110	HDR, 3 PIN, 0.165" SPC, 1 X 3, LCK, SHD, POL, VERT, MALE	PT1337	HDR321110	HC3LSP
1	HS1	14-6367	HEATSINK EON15GII	PT2221	HS146367	HS146367
1	HS3	14-0033-A	HEATSINK EON GII FOR BRIDGE	PT2102	HS140033A	PCBNULL
5	INS1-5	70-0054	INSULATOR MICA FOR TO-3P BK	PT1995	INS700054	PCBNULL
2	DS1 DS3	70-2114	LED, GRN, T1, RLC100, AMMO	PT1059	LEDG702114	RLC100
1	DS2	70-2117	LED, GRN, W/ SPACER, T1, RLD100, AMMO	PT1231	LEDG702117	RLD100
1	GP1	NON-PART	NON-PART, MECCA GND/PWR TIE POINT, 4 POS	PT1043	MECCA4	MECCA4
2	MH6-7	NON-PART	NON-PART, MOUNTING HOLE, 0.156" NON-PLATED, #6	PT1044	MH156	MH156
1	MH3	NON-PART	NON-PART MOUNTING HOLE 0.200" NON-PLATED	PT2132	MH200	MH200
2	MH2 MH4	NON-PART	NON-PART MOUNTING HOLE 0.250" NON-PLATED	PT2133	MH250	MH250
2	MH1 MH5	NON-PART	NON-PART, TOOLING PIN HOLE, 156MIL HOLE	PT1416	MH156-TOOL	MH156-TOOL
2	Q1 Q22	70-1058	XSTR, 2N3904, NPN, SOT-23, T&R	PT1203	Q2N3904-S	SOT-23
2	Q20-21	70-0032	XSTR 2SA1302 PNP PWR AMP 15A 100W HIFI BK	PT2242	Q2SA1302	T03P(L)(3)
5	Q7 Q9-10 Q12 Q14	70-0037	XSTR 2SA1370 PNP 200V 100mA TA	PT2088	Q2SA1370	T092(ECB)-V
2	Q16-17	70-0033	XSTR 2SB1186A PNP 1.5A 20W BK	PT2079	Q2SB1186A	T0220FP(BCE)-V
2	Q3 Q8	70-0031	XSTR 2SC3281 NPN PWR AMP 15A 100W HIFI BK	PT2241	Q2SC3281	T03P(L)(3)
2	Q18-19	70-0036	XSTR 2SC3467 NPN 200V 100mA TA	PT2086	Q2SC3467	T092(ECB)-V

3	Q4-6	70-0035	XSTR 2SC2362K NPN AMP 150V 500mA TA	PT2085 Q2SC2362K	TO92(ECB)-V
3	Q11 Q13 Q15	70-0034	XSTR 2SD1763A NPN 1.5A 20W BK	PT2080 Q2SD1763A	TO220FP(BCE)-V
1	Q2	70-1072	XSTR MMBFJ113 N-CHNL JFET SW TA	PT2060 QMMBFJ113-S	SOT-23
2	TP1-2	50-0317	RES 0.5% 1/4W CF RR TA	PT1008 R0-E5-R	RRA200
4	R61 R63 R106-107	50-0067	RES 0.1 5% 3W MOF FL AR TA	PT2055 R0.1-I5-A	AR200800
1	R95	52-0332	RES 1.21K 1% 1/4W SM 1210 TA	PT2096 R1.21KE1-1210	1210
1	R39	52-4527	RES 1.4K 1% 1/10W SM 0805 TA	PT2156 R1.4KC1-0805	0805
1	R36	52-4494	RES 1.58K 1% 1/10W SM 0805 TA	PT2167 R1.58KC1-0805	0805
2	R44 R89	52-3208	RES 1.5K 1% 1/10W SM 0805 TA	PT1733 R1.5KC1-0805	0805
1	R41	52-0320	RES 1.87K 1% 1/10W SM 0805 TA	PT2114 R1.87KC1-0805	0805
1	R97	50-0057	RES 10 5% 1W SM 2512 TA	PT1866 R10-G5-2512	2512
2	R29 R99	50-0063	RES 10 5% 3W MOF FL AR TA	PT2056 R10-I5-A	AR200800
4	R47 R49-50 R70	52-4562	RES 10.2K 1% 1/10W SM 0805 TA	PT1831 R10.2KC1-0805	0805
2	R84 R100	50-3604	RES 100 5% 1/4W SM 1210 TA	PT2057 R100-E5-1210	1210
2	R109 R111	52-1010	RES 100K 1% 1/10W SM 0805 TA	PT2014 R100KC1-0805	0805
7	R2 R10 R21 R26 R37	52-4500	RES 10K 1% 1/10W SM 0805 TA	PT1034 R10KC1-0805	0805
	R65 R112				
1	R17	52-4493	RES 11.3K 1% 1/10W SM 0805 TA	PT2166 R11.3KC1-0805	0805
4	R5 R35 R76 R80	52-3229	RES 11K 1% 1/10W SM 0805 TA	PT1712 R11KC1-0805	0805
1	R22	52-0308	RES 13.7K 1% 1/10W SM 0805 TA	PT2018 R13.7KC1-0805	0805
1	R16	52-0330	RES 15.8K 1% 1/10W SM 0805 TA	PT2116 R15.8KC1-0805	0805
2	R81 R101	52-1006	RES 150 1% 1/10W SM 0805 TA	PT1924 R150-C1-0805	0805
1	R8	52-4528	RES 16.2K 1% 1/10W SM 0805 TA	PT2111 R16.2KC1-0805	0805
1	R69	52-4491	RES 17.8K 1% 1/10W SM 0805 TA	PT2161 R17.8KC1-0805	0805
2	R3 R12	52-4505	RES 1K 1% 1/10W SM 0805 TA	PT1037 R1KC1-0805	0805
4	R64 R85 R105 R108	50-3605	RES 2.2 5% 1/4W SM 1210 TA	PT2058 R2.2-E5-1210	1210
2	R25 R28	52-3221	RES 2.21M 1% 1/10W SM 0805 TA	PT1720 R2.21MC1-0805	0805
1	R31	52-4497	RES 2.37K 1% 1/10W SM 0805 TA	PT2170 R2.37KC1-0805	0805
1	R14	52-0323	RES 2.55K 1% 1/10W SM 0805 TA	PT2072 R2.55KC1-0805	0805
1	R43	52-0319	RES 2.61K 1% 1/10W SM 0805 TA	PT2070 R2.61KC1-0805	0805
2	R9 R113	52-4501	RES 20K 1% 1/10W SM 0805 TA	PT1035 R20KC1-0805	0805
7	R15 R19 R54-55 R62	52-0317	RES 22.1K 1% 1/10W SM 0805 TA	PT2068 R22.1KC1-0805	0805
	R88 R90				
2	R34 R38	52-0314	RES 22.6K 1% 1/10W SM 0805 TA	PT2065 R22.6KC1-0805	0805
2	R42 R45	52-0318	RES 23.2K 1% 1/10W SM 0805 TA	PT2069 R23.2KC1-0805	0805
4	R23 R51-53	52-3249	RES 27.4K 1% 1/10W SM 0805 TA	PT1701 R27.4KC1-0805	0805
2	R77 R98	52-3242	RES 280K 1% 1/10W SM 0805 TA	PT1696 R280KC1-0805	0805
3	R11 R67 R91	52-4506	RES 2K 1% 1/10W SM 0805 TA	PT1038 R2KC1-0805	0805
2	R79 R86	52-4509	RES 3.24K 1% 1/10W SM 0805 TA	PT1040 R3.24KC1-0805	0805
2	R1 R40	52-3205	RES 3.65K 1% 1/10W SM 0805 TA	PT1736 R3.65KC1-0805	0805
3	R18 R20 R33	52-3220	RES 30.1K 1% 1/10W SM 0805 TA	PT1721 R30.1KC1-0805	0805
1	R46	52-0315	RES 31.6K 1% 1/10W SM 0805 TA	PT2066 R31.6KC1-0805	0805
1	R71	52-4490	RES 32.4K 1% 1/10W SM 0805 TA	PT2162 R32.4KC1-0805	0805
1	R60	50-1517	RES 330 5% 1/10W SM 0805 TA	PT1020 R330-C5-0805	0805
1	R68	52-4492	RES 36.5K 1% 1/10W SM 0805 TA	PT2160 R36.5KC1-0805	0805
1	R6	52-4524	RES 4.02K 1% 1/10W SM 0805 TA	PT1838 R4.02KC1-0805	0805
1	R30	52-4520	RES 4.32K 1% 1/10W SM 0805 TA	PT1835 R4.32KC1-0805	0805
1	R75	52-4511	RES 4.99K 1% 1/10W SM 0805 TA	PT1041 R4.99KC1-0805	0805
2	R58-59	52-4553	RES 47.5 1% 1/10W SM 0805 TA	PT1819 R47.5-C1-0805	0805
2	R87 R102	52-3231	RES 475 1% 1/10W SM 0805 TA	PT1710 R475-C1-0805	0805
2	R48 R66	52-3206	RES 5.11K 1% 1/10W SM 0805 TA	PT1735 R5.11KC1-0805	0805
2	R94 R96	50-3603	RES 5.1K 5% 1W SM 2512 TA	PT2059 R5.1KG5-2512	2512
1	R74	52-4487	RES 562 1% 1/10W SM 0805 TA	PT2165 R562-C1-0805	0805
2	R56 R110	52-4515	RES 6.81K 1% 1/10W SM 0805 TA	PT1281 R6.81KC1-0805	0805
1	R78	52-3216	RES 619 1% 1/10W SM 0805 TA	PT1725 R619-C1-0805	0805
5	R57 R82-83 R103-104	52-0220	RES 63.4K 1% 1/10W SM 0805 TA	PT2071 R63.4KC1-0805	0805
1	R93	52-3213	RES 634K 1% 1/10W SM 0805 TA	PT1728 R634KC1-0805	0805
1	R27	52-4555	RES 681 1% 1/10W SM 0805 TA	PT1818 R681-C1-0805	0805
1	R32	52-4496	RES 715 1% 1/10W SM 0805 TA	PT2169 R715-C1-0805	0805
1	R73	52-4488	RES 732 1% 1/10W SM 0805 TA	PT2164 R732-C1-0805	0805
1	R7	50-1530	RES 750 5% 1/10W SM 0805 TA	PT1029 R750-C5-0805	0805
1	R13	52-0312	RES 8.06K 1% 1/10W SM 0805 TA	PT2064 R8.06KC1-0805	0805
1	R72	52-4489	RES 8.87K 1% 1/10W SM 0805 TA	PT2163 R8.87KC1-0805	0805

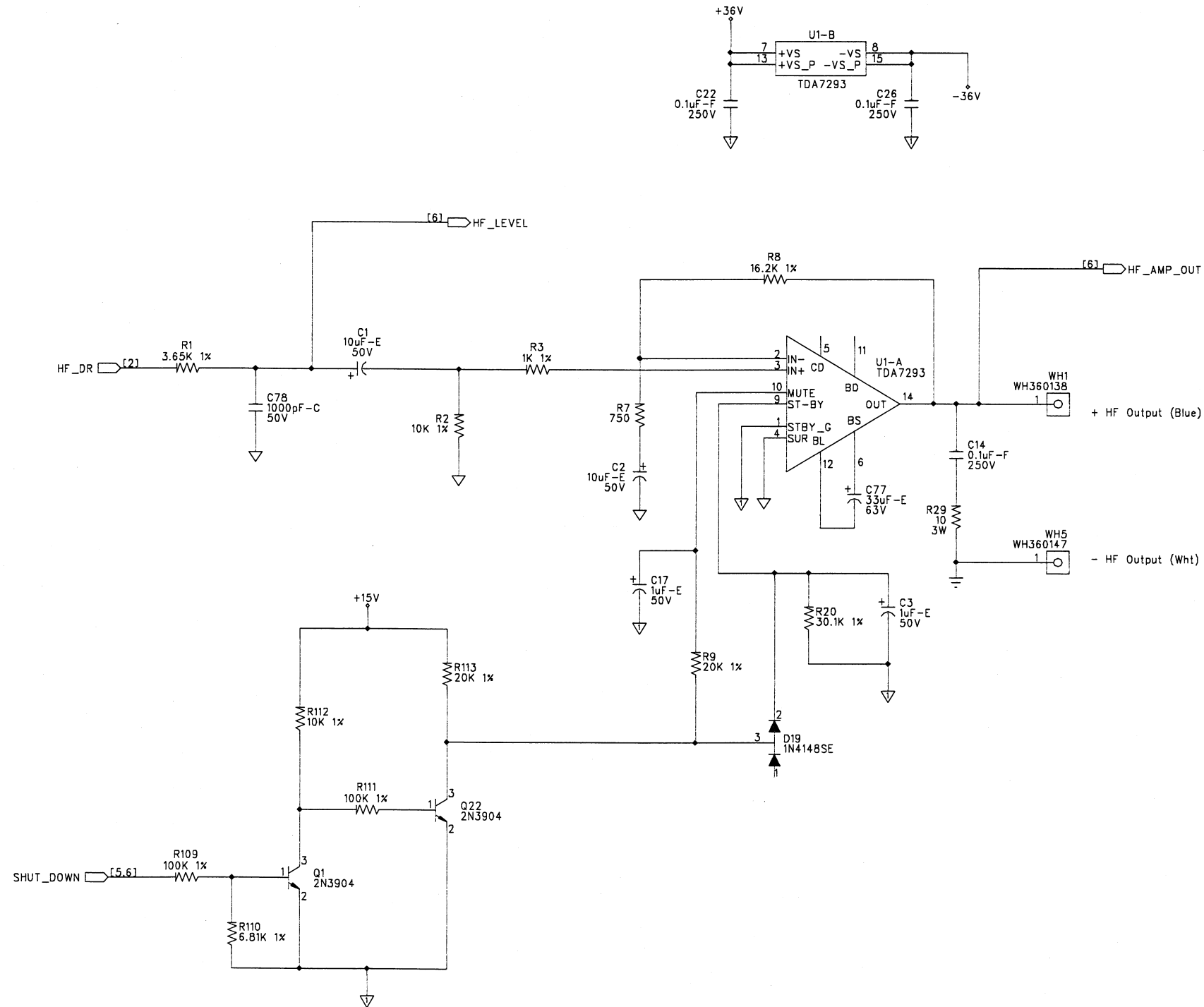
1	R92	52-4557	RES 825 1% 1/10W SM 0805 TA	PT1812 R825-C1-0805	0805
1	R24	52-4495	RES 9.31K 1% 1/10W SM 0805 TA	PT2168 R9.31KC1-0805	0805
13	SR1-13	28-0015	SCREW 4-40 W/SQ CONE WASHER PAN PH	PT2147 SR280015	PCBNULL
1	RT1	44-0016	SW THERM 1A NO NC@60 DEG.	PT2023 SW440016	TO220(2)-V
1	U1	72-0021	IC TDA7293 120V 100 W DMOS AUDIO AMP W/ MUTE/ST-BY VERT BK	PT2695 UTDA7293	MULTI WATT15-V
4	U2-5	72-1450	IC, TL074, OP-AMP, QUAD, JFET, -INPUT, SO14, T&R	PT1049 UTL074-S	SO14
1	VR1	42-0009	POT 500 1/2W 1/4" TOP ADJ TA	PT2100 VR500-420009	VRTRIM2
1	WA1	28-0023	WASHER #4 SHLDER BLK NYLON .031 HEIGHT	PT2171 WA280023	PCBNULL
1	WH3	36-0136	WIRE HAR 1C 18AWG RED 22.5" W/ FSTON	PT2090 WH360136	PA1X1-000-100
1	WH4	36-0137	WIRE HAR 1C 18AWG BLK 24" W/ FSTON	PT2091 WH360137	PA1X1-000-100
1	WH1	36-0138	WIRE HAR 1C 18AWG BLU 14" W/ FSTON	PT2092 WH360138	PA1X1-000-100
1	WH2	36-0139	WIRE HAR 2C 24AWG WHT/BLK 15"	PT2093 WH360139	WH360139
1	WH5	36-0147	WIRE HAR 1C 18AWG WHT 17" W/ FSTON	PT2094 WH360147	PA1X1-000-100



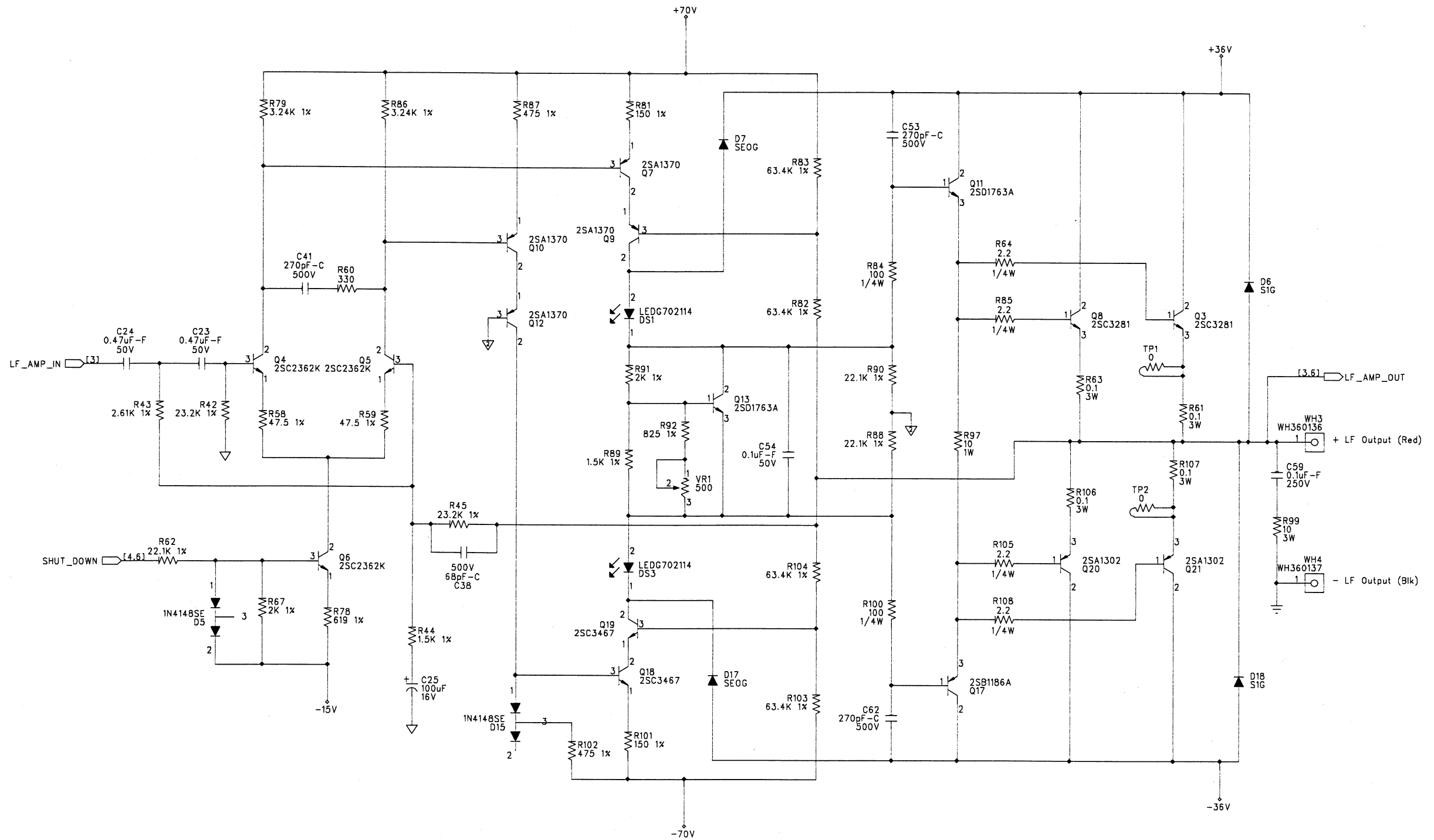
SIZE: A	SHEET TITLE: HF PROCESSING	REVISION: 001
DATE: 02/13/02	DRAWING NO: 339555	SHEET: 2 OF 6



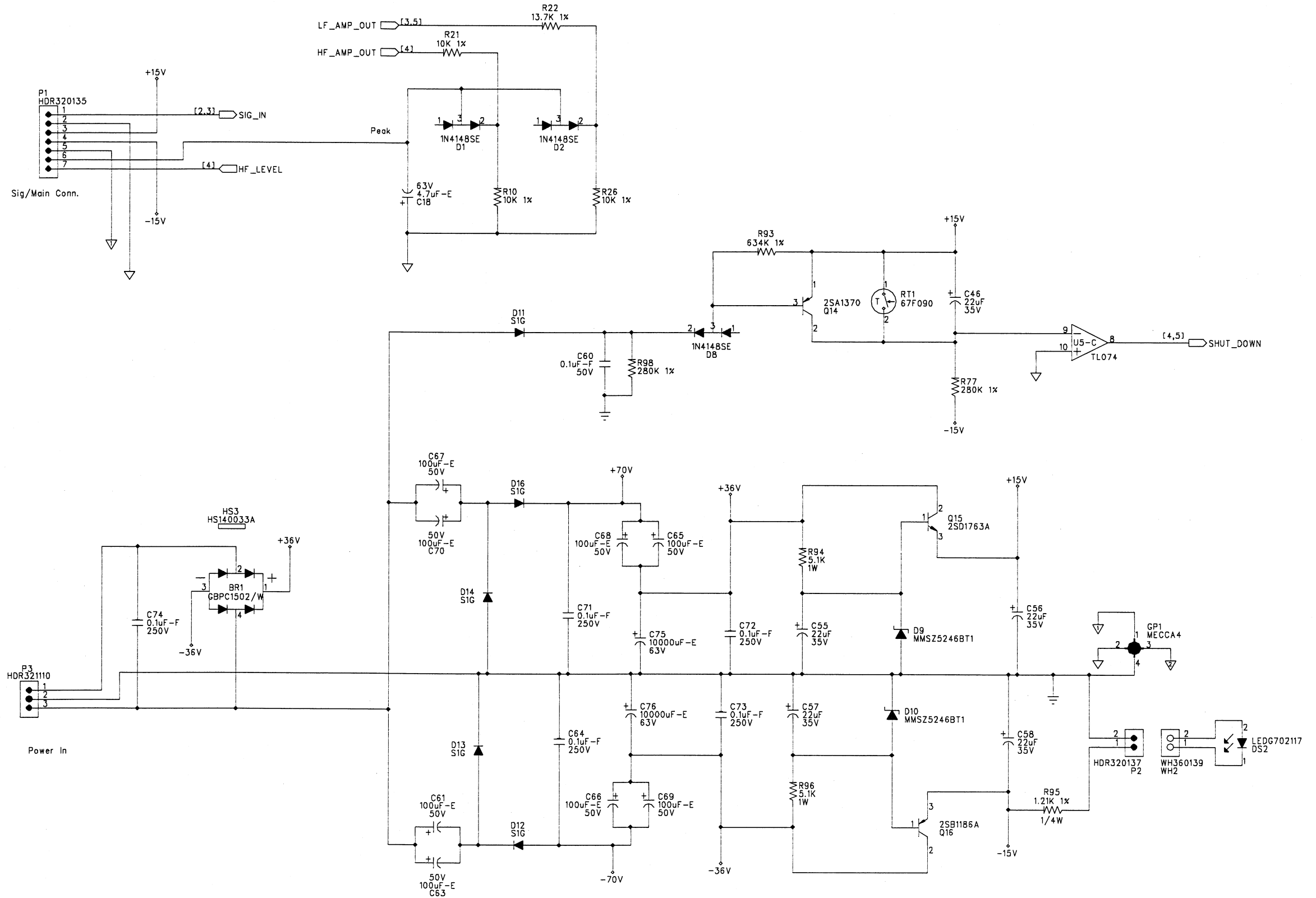
SIZE: A	SHEET TITLE: LF PROCESSING	REVISION: 001
DATE: 02/13/02	DRAWING NO: 339555	SHEET: 3 OF 6



SIZE: A	SHEET TITLE: HF AMPLIFIER STAGE	REVISION: 001
DATE: 02/13/02	DRAWING NO: 339555	SHEET: 4 OF 6



SIZE: A	SHEET TITLE: LF AMPLIFIER STAGE	REVISION: 001
DATE: 02/13/02	DRAWING NO: 339555	SHEET: 5 OF 6



SIZE: A	SHEET TITLE: POWER SUPPLY	REVISION: 001
DATE: 02/13/02	DRAWING NO: 339555	SHEET: 6 OF 6

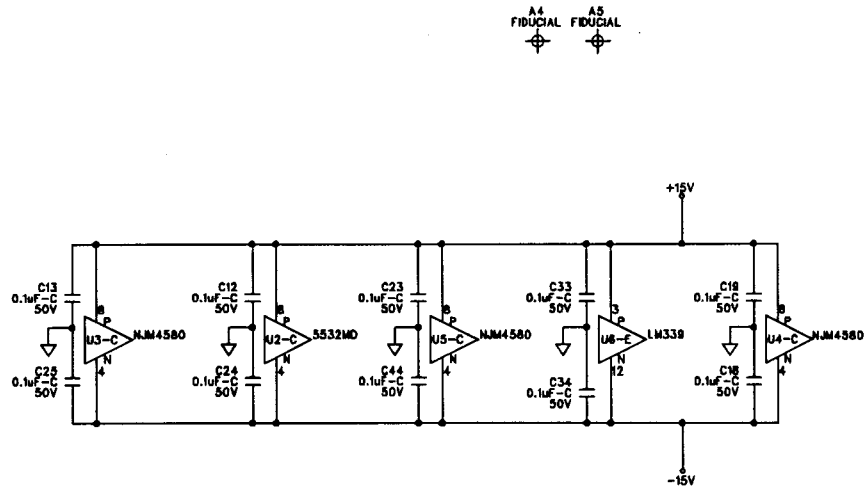
Bill Of Materials for 339555-001.sch on Wed Feb 13 19:31:04 2002

Qty	Reference	HMG#	Description	Audit	Schematic Part	PCB Decal
1	PCB1	339555	PCB 339555 JBL EON GII MAIN BOARD (ST AMP) RAW	BDP	80XXXXYY	BARCODE
1	BR1	70-0047	DIO BRGE RECT 200V 15A BK	PT2084	BR700047	BRI DGE2
7	A2-8	NON-PART	NON-PART, PCB ONLY, BREAKOFF PART	PT1481	BRKOFF	BRKOFF
2	C9-10	56-0002	CAP 0.0022uF FILM PTR 100V 5% RF TA	PT1001	C0.0022UF100JR	RFCC200
2	C29-30	56-0027	CAP 0.0027uF FILM PTR 100V 5% RF TA	PT1366	C0.0027UF100JR	RFCC200
1	C31	56-0004	CAP 0.0047uF FILM PTR 100V 5% RF TA	PT1201	C0.0047UF100JR	RFDC200
3	C6-8	56-0023	CAP 0.012uF FILM MTPT 50V 5% RF TA	PT2118	C0.012UF50JR	RFEC200
1	C28	56-0007	CAP 0.015uF FILM PTR 100V 5% RF TA	PT1198	C0.015UF100JR	RFDD200
2	C32-33	56-0006	CAP 0.01uF FILM PTR 100V 5% RF TA	PT1379	C0.01UF100JR	RFDD200
2	C4-5	56-0008	CAP 0.022uF FILM PTR 100V 5% RF TA	PT1399	C0.022UF100JR	RFED200
1	C34	56-0033	CAP 0.027uF FILM PTR 100V 5% RF TA	PT1282	C0.027UF100JR	RFEF200
1	C27	56-0034	CAP 0.039uF FILM MTPT 50V 5% RF TA	PT2099	C0.039UF50JR	RFEC200
3	C47-48 C50	56-0010	CAP 0.047uF FILM MTPT 50V 5% RF TA	PT1002	C0.047UF50JR	RFEC200
8	C11 C13 C19 C21 C39-40 C44-45	62-3139	CAP 0.1uF CER 50V 20% Y5V 0805 TA	PT1087	C0.1UC50M0805	0805
7	C22 C26 C64 C71-74	62-0076	CAP 0.1uF FILM MTPT 250V 5% RF BK	PT2143	C0.1UF250JR	RFMF300
2	C14 C59	62-0056	CAP 0.1uF FILM MTPL 250V 10% RF BK	PT2140	C0.1UF250KR1	RFNJ400
4	C51-52 C54 C60	56-0012	CAP 0.1uF FILM MTPT 50V 5% RF TA	PT1200	C0.1UF50JR	RFEC200
3	C35-36 C43	56-0014	CAP 0.22uF FILM MTPT 50V 5% RF TA	PT1077	C0.22UF50JR	RFED200
5	C15-16 C23-24 C49	56-0016	CAP 0.47uF FILM MTPT 50V 5% RF TA	PT1308	C0.47UF50JR	RFEF200
2	C75-76	60-0002	CAP 10000uF ELEC 63V 20% BULK	PT2103	C10000UE63MR	REZM400P
1	C78	62-3136	CAP 1000pF CER 50V 20% X7R 0805 TA	PT1109	C1000PC50M0805	0805
1	C12	62-3503	CAP 100pF CER 50V 5% COG 0805 TA	PT1786	C100PC50J0805	0805
1	C25	60-0201	CAP 100uF EL 16V 20% GP 6x8R 5LS TA	PT1378	C100UE16MR	REG200P
8	C61 C63 C65-70	60-1013	CAP 100uF EL 50V 20% GP 8x11R 5LS TA	PT1408	C100UE50MR	REJ200P
1	C20	62-3140	CAP 10pF CER 50V 5% COG 0805 TA	PT1088	C10PC50J0805	0805
2	C1-2	60-0090	CAP 10uF EL 50V 20% GP 5x11R 5LS TA	PT1206	C10UE50MR	REE200P
1	C42	60-0051-01	CAP 10uF ELNP 16V 20% GP 5x11R 5LS TA	PT1449	C10UN16MR	REE200
2	C3 C17	60-0044-01	CAP 1uF EL 50V 20% GP 5x7R 5LS TA	PT1079	C1UE50MR	RED200P
5	C46 C55-58	60-0010	CAP 22uF EL 35V 20% GP 5x11R 5LS TA	PT2110	C22UE35MR	REE200P
1	C37	60-0402	CAP 22uF ELNP 25V 20% GP 6x11R 5LS TA	PT1084	C22UN25MR	REG200
3	C41 C53 C62	62-0052	CAP 270pF CER 500V 5% TA	PT2097	C270PC500JR	RCLC200
1	C77	60-0324	CAP 33uF EL 63V 20% GP 6x11R 5LS TA	PT1436	C33UE63MR	REG200P
1	C18	60-0404	CAP 4.7uF EL 63V 20% LL 5x11R 5LS TA	PT1105	C4.7UE63MR	REE200P
1	C38	62-0050	CAP 68pF CER 500V 5% TA	PT2117	C68PC500JR	RCFC200
8	D1-5 D8 D15 D19	70-0113	DIO, MMBD4148SE, DUAL DIODE, 75V, 600mA, SOT-23, T&R	PT1326	DIN4148SE-S	SOT-23
2	D9-10	70-0154	DIO MMSZ5246BT1 ZENER 16V SOD-123 TA	PT2082	DMMSZ5246BT1-S	SOD-123
7	D6 D11-14 D16 D18	70-3203	DIO SIG RECT 400V 1.0A SMA TA	PT2081	DS1G-S	DO-214AC/SMA
2	D7 D17	70-3601	RECTIFIER, 400V, 1.5 AMP, SMB, T&R	PT1466	DSEOG-S	DO-214AA/SMB
2	A1 A9	NON-PART	NON-PART, FIDUCIAL, TARGET FOR AUTO INSERTION	PT1271	FIDUCIAL	FIDUCIAL
1	P1	32-0135	HDR 7 PIN .098 SPC 7X1 SHD VERT	PT2089	HDR320135	HC71V98SP
1	P2	32-0137	HDR 2 PN 0.098 SPC 2X1 SHR VRT MT	PT1854	HDR320137	HC21V98SP
1	P3	32-1110	HDR, 3 PIN, 0.165" SPC, 1 X 3, LCK, SHD, POL, VERT, MALE	PT1337	HDR321110	HC3LSP
1	HS1	14-6367	HEATSINK EON15GII	PT2221	HS146367	HS146367
1	HS3	14-0033-A	HEATSINK EON GII FOR BRIDGE	PT2102	HS140033A	PCBNULL
5	INS1-5	70-0054	INSULATOR MICA FOR TO-3P BK	PT1995	INS700054	PCBNULL
2	DS1 DS3	70-2114	LED, GRN, T1, RLC100, AMMO	PT1059	LEDG702114	RLC100
1	DS2	70-2117	LED, GRN, W/ SPACER, T1, RLD100, AMMO	PT1231	LEDG702117	RLD100
1	GP1	NON-PART	NON-PART, MECCA GND/PWR TIE POINT, 4 POS	PT1043	MECCA4	MECCA4
2	MH6-7	NON-PART	NON-PART, MOUNTING HOLE, 0.156" NON-PLATED, #6	PT1044	MH156	MH156
1	MH3	NON-PART	NON-PART MOUNTING HOLE 0.200" NON-PLATED	PT2132	MH200	MH200
2	MH2 MH4	NON-PART	NON-PART MOUNTING HOLE 0.250" NON-PLATED	PT2133	MH250	MH250
2	MH1 MH5	NON-PART	NON-PART, TOOLING PIN HOLE, 156MIL HOLE	PT1416	MH156-TOOL	MH156-TOOL
2	Q1 Q22	70-1058	XSTR, 2N3904, NPN, SOT-23, T&R	PT1203	Q2N3904-S	SOT-23
2	Q20-21	70-0032	XSTR 2SA1302 PNP PWR AMP 15A 100W HIFI BK	PT2242	Q2SA1302	T03P(L)(3)
5	Q7 Q9-10 Q12 Q14	70-0037	XSTR 2SA1370 PNP 200V 100mA TA	PT2088	Q2SA1370	T092(ECB)-V
2	Q16-17	70-0033	XSTR 2SB1186A PNP 1.5A 20W BK	PT2079	Q2SB1186A	T0220FP(BCE)-V
2	Q3 Q8	70-0031	XSTR 2SC3281 NPN PWR AMP 15A 100W HIFI BK	PT2241	Q2SC3281	T03P(L)(3)
2	Q18-19	70-0036	XSTR 2SC3467 NPN 200V 100mA TA	PT2086	Q2SC3467	T092(ECB)-V

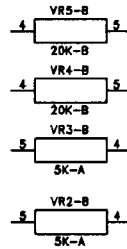
3	Q4-6	70-0035	XSTR 2SC2362K NPN AMP 150V 500mA TA	PT2085 Q2SC2362K	TO92(ECB)-V
3	Q11 Q13 Q15	70-0034	XSTR 2SD1763A NPN 1.5A 20W BK	PT2080 Q2SD1763A	TO220FP(BCE)-V
1	Q2	70-1072	XSTR MMBFJ113 N-CHNL JFET SW TA	PT2060 QMMBFJ113-S	SOT-23
2	TP1-2	50-0317	RES 0.5% 1/4W CF RR TA	PT1008 R0-E5-R	RRA200
4	R61 R63 R106-107	50-0067	RES 0.1 5% 3W MOF FL AR TA	PT2055 R0.1-I5-A	AR200800
1	R95	52-0332	RES 1.21K 1% 1/4W SM 1210 TA	PT2096 R1.21KE1-1210	1210
1	R39	52-4527	RES 1.4K 1% 1/10W SM 0805 TA	PT2156 R1.4KC1-0805	0805
1	R36	52-4494	RES 1.58K 1% 1/10W SM 0805 TA	PT2167 R1.58KC1-0805	0805
2	R44 R89	52-3208	RES 1.5K 1% 1/10W SM 0805 TA	PT1733 R1.5KC1-0805	0805
1	R41	52-0320	RES 1.87K 1% 1/10W SM 0805 TA	PT2114 R1.87KC1-0805	0805
1	R97	50-0057	RES 10 5% 1W SM 2512 TA	PT1866 R10-G5-2512	2512
2	R29 R99	50-0063	RES 10 5% 3W MOF FL AR TA	PT2056 R10-I5-A	AR200800
4	R47 R49-50 R70	52-4562	RES 10.2K 1% 1/10W SM 0805 TA	PT1831 R10.2KC1-0805	0805
2	R84 R100	50-3604	RES 100 5% 1/4W SM 1210 TA	PT2057 R100-E5-1210	1210
2	R109 R111	52-1010	RES 100K 1% 1/10W SM 0805 TA	PT2014 R100KC1-0805	0805
7	R2 R10 R21 R26 R37	52-4500	RES 10K 1% 1/10W SM 0805 TA	PT1034 R10KC1-0805	0805
	R65 R112				
1	R17	52-4493	RES 11.3K 1% 1/10W SM 0805 TA	PT2166 R11.3KC1-0805	0805
4	R5 R35 R76 R80	52-3229	RES 11K 1% 1/10W SM 0805 TA	PT1712 R11KC1-0805	0805
1	R22	52-0308	RES 13.7K 1% 1/10W SM 0805 TA	PT2018 R13.7KC1-0805	0805
1	R16	52-0330	RES 15.8K 1% 1/10W SM 0805 TA	PT2116 R15.8KC1-0805	0805
2	R81 R101	52-1006	RES 150 1% 1/10W SM 0805 TA	PT1924 R150-C1-0805	0805
1	R8	52-4528	RES 16.2K 1% 1/10W SM 0805 TA	PT2111 R16.2KC1-0805	0805
1	R69	52-4491	RES 17.8K 1% 1/10W SM 0805 TA	PT2161 R17.8KC1-0805	0805
2	R3 R12	52-4505	RES 1K 1% 1/10W SM 0805 TA	PT1037 R1KC1-0805	0805
4	R64 R85 R105 R108	50-3605	RES 2.2 5% 1/4W SM 1210 TA	PT2058 R2.2-E5-1210	1210
2	R25 R28	52-3221	RES 2.21M 1% 1/10W SM 0805 TA	PT1720 R2.21MC1-0805	0805
1	R31	52-4497	RES 2.37K 1% 1/10W SM 0805 TA	PT2170 R2.37KC1-0805	0805
1	R14	52-0323	RES 2.55K 1% 1/10W SM 0805 TA	PT2072 R2.55KC1-0805	0805
1	R43	52-0319	RES 2.61K 1% 1/10W SM 0805 TA	PT2070 R2.61KC1-0805	0805
2	R9 R113	52-4501	RES 20K 1% 1/10W SM 0805 TA	PT1035 R20KC1-0805	0805
7	R15 R19 R54-55 R62	52-0317	RES 22.1K 1% 1/10W SM 0805 TA	PT2068 R22.1KC1-0805	0805
	R88 R90				
2	R34 R38	52-0314	RES 22.6K 1% 1/10W SM 0805 TA	PT2065 R22.6KC1-0805	0805
2	R42 R45	52-0318	RES 23.2K 1% 1/10W SM 0805 TA	PT2069 R23.2KC1-0805	0805
4	R23 R51-53	52-3249	RES 27.4K 1% 1/10W SM 0805 TA	PT1701 R27.4KC1-0805	0805
2	R77 R98	52-3242	RES 280K 1% 1/10W SM 0805 TA	PT1696 R280KC1-0805	0805
3	R11 R67 R91	52-4506	RES 2K 1% 1/10W SM 0805 TA	PT1038 R2KC1-0805	0805
2	R79 R86	52-4509	RES 3.24K 1% 1/10W SM 0805 TA	PT1040 R3.24KC1-0805	0805
2	R1 R40	52-3205	RES 3.65K 1% 1/10W SM 0805 TA	PT1736 R3.65KC1-0805	0805
3	R18 R20 R33	52-3220	RES 30.1K 1% 1/10W SM 0805 TA	PT1721 R30.1KC1-0805	0805
1	R46	52-0315	RES 31.6K 1% 1/10W SM 0805 TA	PT2066 R31.6KC1-0805	0805
1	R71	52-4490	RES 32.4K 1% 1/10W SM 0805 TA	PT2162 R32.4KC1-0805	0805
1	R60	50-1517	RES 330 5% 1/10W SM 0805 TA	PT1020 R330-C5-0805	0805
1	R68	52-4492	RES 36.5K 1% 1/10W SM 0805 TA	PT2160 R36.5KC1-0805	0805
1	R6	52-4524	RES 4.02K 1% 1/10W SM 0805 TA	PT1838 R4.02KC1-0805	0805
1	R30	52-4520	RES 4.32K 1% 1/10W SM 0805 TA	PT1835 R4.32KC1-0805	0805
1	R75	52-4511	RES 4.99K 1% 1/10W SM 0805 TA	PT1041 R4.99KC1-0805	0805
2	R58-59	52-4553	RES 47.5 1% 1/10W SM 0805 TA	PT1819 R47.5-C1-0805	0805
2	R87 R102	52-3231	RES 475 1% 1/10W SM 0805 TA	PT1710 R475-C1-0805	0805
2	R48 R66	52-3206	RES 5.11K 1% 1/10W SM 0805 TA	PT1735 R5.11KC1-0805	0805
2	R94 R96	50-3603	RES 5.1K 5% 1W SM 2512 TA	PT2059 R5.1KG5-2512	2512
1	R74	52-4487	RES 562 1% 1/10W SM 0805 TA	PT2165 R562-C1-0805	0805
2	R56 R110	52-4515	RES 6.81K 1% 1/10W SM 0805 TA	PT1281 R6.81KC1-0805	0805
1	R78	52-3216	RES 619 1% 1/10W SM 0805 TA	PT1725 R619-C1-0805	0805
5	R57 R82-83 R103-104	52-0220	RES 63.4K 1% 1/10W SM 0805 TA	PT2071 R63.4KC1-0805	0805
1	R93	52-3213	RES 634K 1% 1/10W SM 0805 TA	PT1728 R634KC1-0805	0805
1	R27	52-4555	RES 681 1% 1/10W SM 0805 TA	PT1818 R681-C1-0805	0805
1	R32	52-4496	RES 715 1% 1/10W SM 0805 TA	PT2169 R715-C1-0805	0805
1	R73	52-4488	RES 732 1% 1/10W SM 0805 TA	PT2164 R732-C1-0805	0805
1	R7	50-1530	RES 750 5% 1/10W SM 0805 TA	PT1029 R750-C5-0805	0805
1	R13	52-0312	RES 8.06K 1% 1/10W SM 0805 TA	PT2064 R8.06KC1-0805	0805
1	R72	52-4489	RES 8.87K 1% 1/10W SM 0805 TA	PT2163 R8.87KC1-0805	0805

1	R92	52-4557	RES 825 1% 1/10W SM 0805 TA	PT1812 R825-C1-0805	0805
1	R24	52-4495	RES 9.31K 1% 1/10W SM 0805 TA	PT2168 R9.31KC1-0805	0805
13	SR1-13	28-0015	SCREW 4-40 W/SQ CONE WASHER PAN PH	PT2147 SR280015	PCBNULL
1	RT1	44-0016	SW THERM 1A NO NC@60 DEG.	PT2023 SW440016	TO220(2)-V
1	U1	72-0021	IC TDA7293 120V 100 W DMOS AUDIO AMP W/ MUTE/ST-BY VERT BK	PT2695 UTDA7293	MULTI WATT15-V
4	U2-5	72-1450	IC, TL074, OP-AMP, QUAD, JFET, -INPUT, SO14, T&R	PT1049 UTL074-S	SO14
1	VR1	42-0009	POT 500 1/2W 1/4" TOP ADJ TA	PT2100 VR500-420009	VRTRIM2
1	WA1	28-0023	WASHER #4 SHLDER BLK NYLON .031 HEIGHT	PT2171 WA280023	PCBNULL
1	WH3	36-0136	WIRE HAR 1C 18AWG RED 22.5" W/ FSTON	PT2090 WH360136	PA1X1-000-100
1	WH4	36-0137	WIRE HAR 1C 18AWG BLK 24" W/ FSTON	PT2091 WH360137	PA1X1-000-100
1	WH1	36-0138	WIRE HAR 1C 18AWG BLU 14" W/ FSTON	PT2092 WH360138	PA1X1-000-100
1	WH2	36-0139	WIRE HAR 2C 24AWG WHT/BLK 15"	PT2093 WH360139	WH360139
1	WH5	36-0147	WIRE HAR 1C 18AWG WHT 17" W/ FSTON	PT2094 WH360147	PA1X1-000-100

JBL EON15-G2



A4 FIDUCIAL
A5 FIDUCIAL

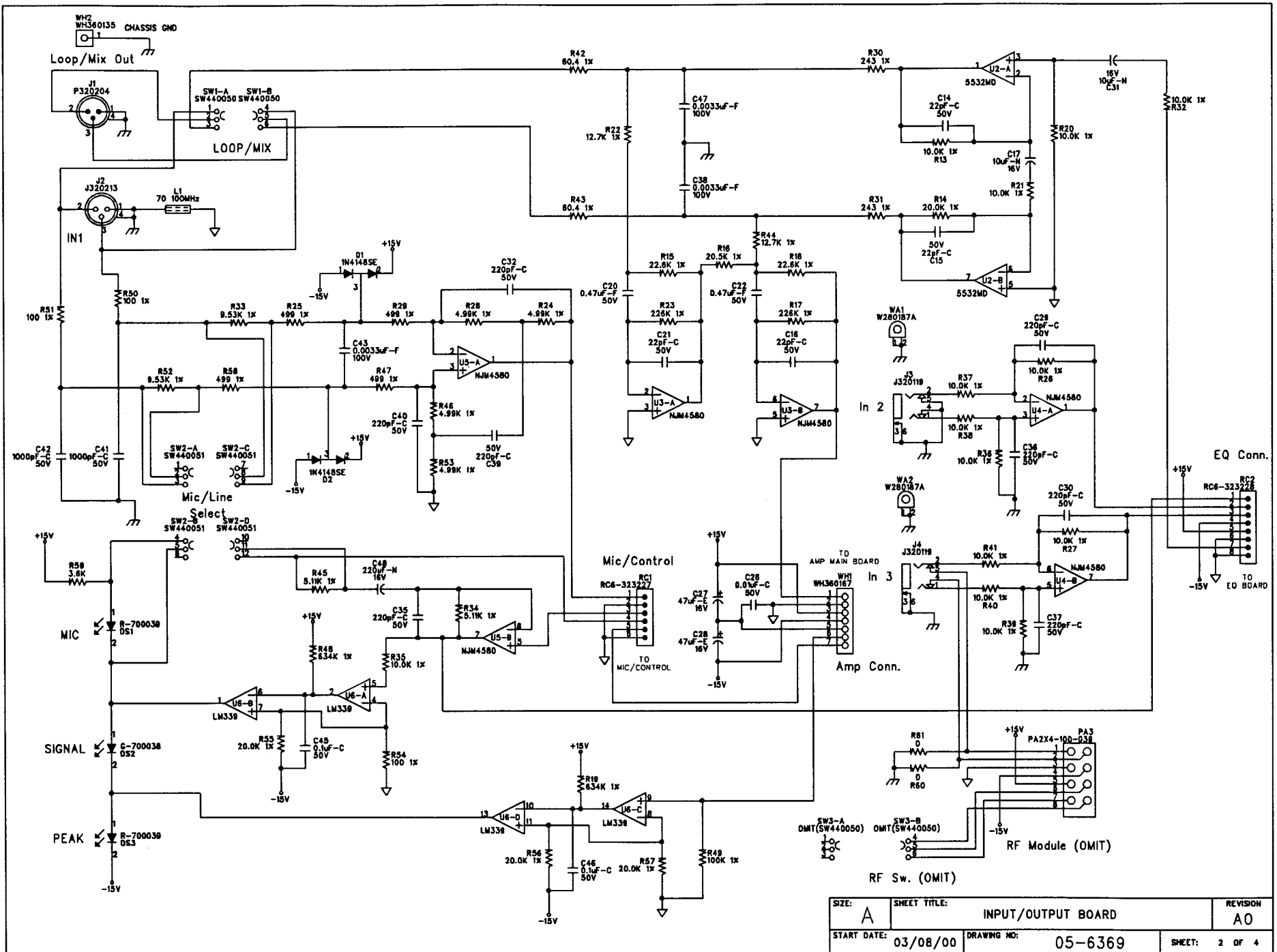


A1 BRKOFF
A2 BRKOFF
A3 BRKOFF

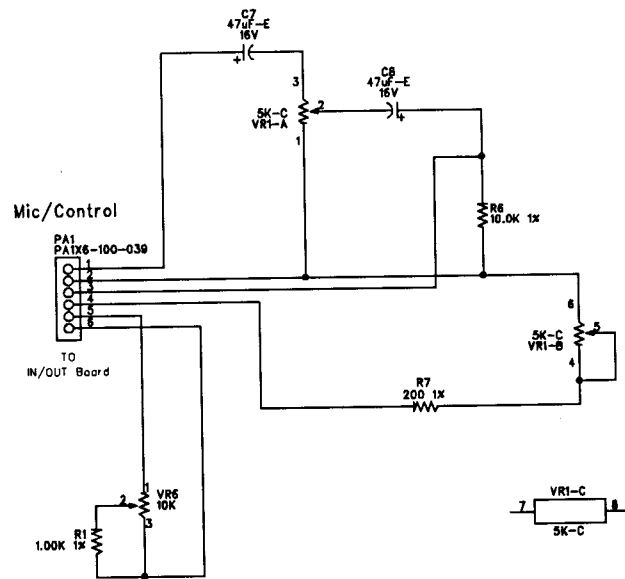
MH4 MH3
MH156-TOOL MH156-TOOL
PCB1
80-6369-A

REVISION HISTORY			
JBL Professional 8780 South Sandy Parkway Sandy Utah 84070			
TITLE: SCHEMATIC EON15 GII SIGNAL INPUT PCBA			
DESIGNER:		ENGINEER:	
MARK CORBRIDGE		Tim Shuttleworth / Don Sealey	
SIZE:	DRAWING NO:	REVISION	
A	05-6369	A0	
START DATE:	FILENAME:	SHEET: 1 OF 4	
03/08/00	056369A0.SCH		

JBL EON15-G2



SIZE: A	SHEET TITLE: INPUT/OUTPUT BOARD	REVISION: AO
START DATE: 03/08/00	DRAWING NO: 05-6369	SHEET: 2 OF 4



SIZE: A	SHEET TITLE: CONTROL BOARD	REVISION: A0
START DATE: 03/08/00	DRAWING NO: 05-6369	SHEET: 3 OF 4

Bill Of Materials for 056369A0

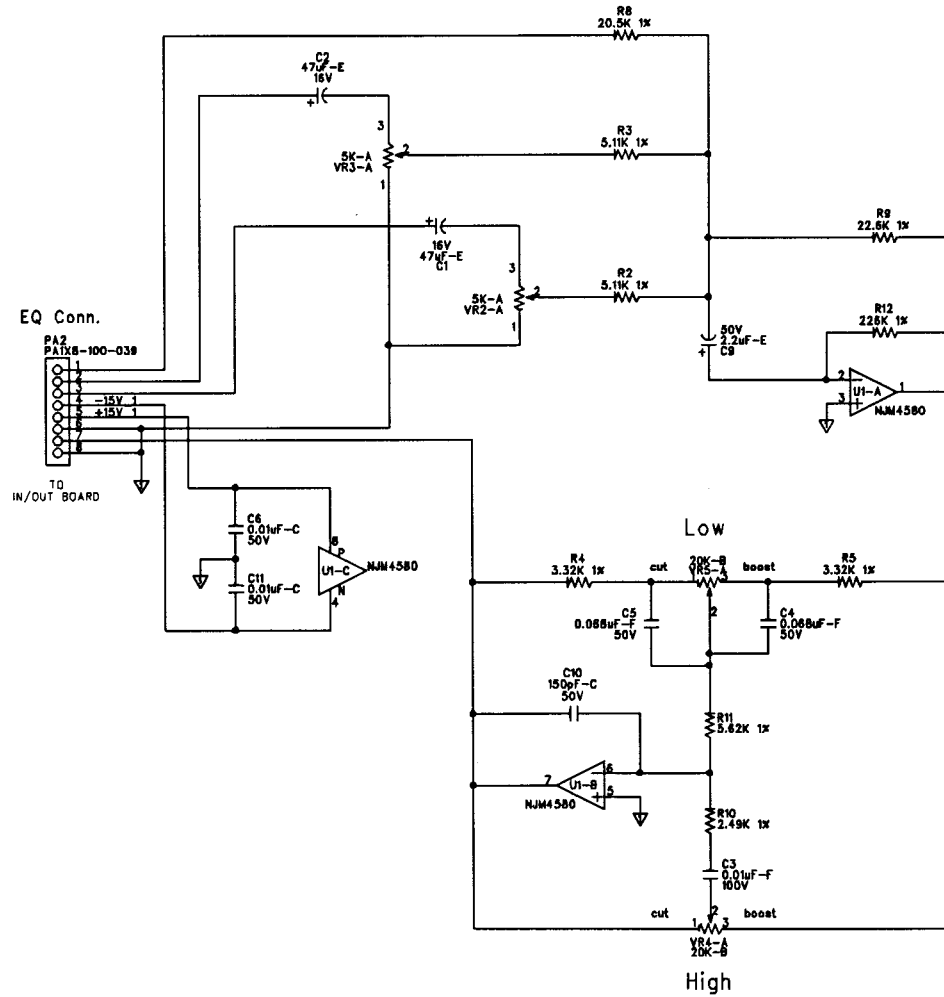
Qty	Reference	HMG#	Description	Audit	Schematic Part	PCB Decal
1	PCB1	80-6369-A	PCB 80-6369-A SIGNAL INPUT BOARD	PT2129	80XXXXYY	BARCODE
3	A1-3	NON-PART	NON-PART, PCB ONLY, BREAKOFF PART	PT1481	BRKOFF	BRKOFF
3	C38 C43 C47	56-0003	CAP, 0.0033uF, FILM, 100V, 5%, RFCC200, AMMO	PT1103	C0.0033UF100JR	RFCC200
3	C6 C11 C26	62-3142	CAP, 0.01uF, CER, 50V, 10%, 0805, T&R	PT1118	C0.01UC50KS	0805
1	C3	56-0006	CAP, 0.01uF, FILM, 100V, 5%, RFDD200, AMMO	PT1379	C0.01UF100JR	RFDD200
2	C4-5	56-0011	CAP, 0.068uF, FILM, 50V, 5%, RFEC200, AMMO	PT1076	C0.068UF50JR	RFEC200
12	C12-13 C18-19 C23-25 C33-34 C44-46	62-3139	CAP, 0.1uF, CER, 50V, 20%, 0805, T&R	PT1087	C0.1UC50MS	0805
2	C20 C22	56-0016	CAP, 0.47uF, FILM, 50V, 5%, RFEF200, AMMO	PT1308	C0.47UF50JR	RFEF200
2	C41-42	62-3136	CAP, 1000pF, CER, 50V, 20%, 0805, T&R	PT1109	C1000PC50MS	0805
2	C17 C31	60-0051-01	CAP, 10uF, ELEC-NP, 16V, 20%, REE200, AMMO	PT1449	C10UN16MR	REE200
1	C10	62-3504	CAP 150pF CER 50V 10% 0805 TA	PT2015	C150PC50KS	0805
1	C9	60-0400	CAP, 2.2uF, ELEC, 50V, 20%, REE200P, AMMO	PT1083	C2.2UE50MR	REE200P
8	C29-30 C32 C35-37 C39-40	62-3138	CAP, 220pF, CER, 50V, 10%, 0805, T&R	PT1286	C220PC50KS	0805
1	C48	60-1068	CAP, 220uF, ELEC-NP, 16V, 20%, REM200, BULK	PT1823	C220UN16MR	REM200
4	C14-16 C21	62-3134	CAP, 22pF, CER, 50V, 5%, 0805, T&R	PT1107	C22PC50JS	0805
6	C1-2 C7-8 C27-28	60-0054-01	CAP, 47uF, ELEC, 16V, 20%, REE200P, AMMO	PT1108	C47UE16MR	REE200P
2	D1-2	70-0113	DIO, MMBD4148SE, DUAL DIODE, 75V, 600mA, SOT-23, T&R	PT1326	D1N4148SE-S	SOT-23
2	A4-5	NON-PART	NON-PART, FIDUCIAL, TARGET FOR AUTO INSERTION	PT1271	FIDUCIAL	FIDUCIAL
2	J3-4	32-0119	CON, JACK, 1/4 PHONO, FULL NOSE THREAD, SLIMLINE	PT1359	J320119	J320119
1	J2	32-0213	CON JACK XLR R/A PCA A SERIES NON-LOCKING	PT2016	J320213	XLRF-2
1	DS2	70-0038	LED GRN T-1 R/A HOUSING	PT2145	LEDG700038	RLAK100HE-G
2	DS1 DS3	70-0039	LED RED R/A T-1 HOUSING	PT2146	LEDR700039	RLAK100HE-R
1	L1	26-0215	IND, FERRITE BEAD, 70 OHM @ 100MHz, RIC200, AMMO	PT1262	LFB260215	RIC200
2	MH3-4	NON-PART	NON-PART, TOOLING PIN HOLE, 156MIL HOLE	PT1416	MH156-TOOL	MH156-TOOL
1	J1	32-0204	CON, PLUG, XLR, R/A, PCA A SERIES	PT1218	P320204	XLRM-1
1	PA1	NON-PART	NON-PART PAD ARRAY 6 PN 0.1"SPC 0.039" HLE	PT2134	PA1X6-100-039	PA1X6-100-039
1	PA2	NON-PART	NON-PART PAD ARRAY 8 PN 0.1"SPC 0.039" HLE	PT2135	PA1X8-100-039	PA1X8-100-039
1	PA3	NON-PART	NON-PART PAD ARRAY 2 X 4 8 PN 0.1"SPC 0.039" HLE	PT2136	PA2X4-100-039	PA2X4-100-039
2	R60-61	50-1531	RES 0 5% 1/10W SM 0805 TA	PT1099	R0-C5-0805	0805
1	R1	52-4505	RES 1.00K 1% 1/10W SM 0805 TA	PT1037	R1.00KC1-0805	0805
14	R6 R13 R20-21 R26-27 R32 R35-41	52-4500	RES 10.0K 1% 1/10W SM 0805 TA	PT1034	R10.0KC1-0805	0805
3	R50-51 R54	52-3235	RES 100 1% 1/10W SM 0805 TA	PT1706	R100-C1-0805	0805
1	R49	52-1010	RES 100K 1% 1/10W SM 0805 TA	PT2014	R100KC1-0805	0805
2	R22 R44	52-4484	RES 12.7K 1% 1/10W SM 0805 TA	PT2157	R12.7KC1-0805	0805
1	R10	52-0307	RES 2.49K 1% 1/10W SM 0805 TA	PT2019	R2.49KC1-0805	0805
4	R14 R55-57	52-4501	RES 20.0K 1% 1/10W SM 0805 TA	PT1035	R20.0KC1-0805	0805
2	R8 R16	52-4486	RES 20.5K 1% 1/10W SM 0805 TA	PT2159	R20.5KC1-0805	0805
1	R7	52-3224	RES 200 1% 1/10W SM 0805 TA	PT1717	R200-C1-0805	0805
3	R9 R15 R18	52-0314	RES 22.6K 1% 1/10W SM 0805 TA	PT2065	R22.6KC1-0805	0805
3	R12 R17 R23	52-4485	RES 226K 1% 1/10W SM 0805 TA	PT2158	R226KC1-0805	0805
2	R30-31	52-4546	RES 243 1% 1/10W SM 0805 TA	PT1809	R243-C1-0805	0805
2	R4-5	52-3218	RES 3.32K 1% 1/10W SM 0805 TA	PT1723	R3.32KC1-0805	0805
1	R59	50-0058	RES 3.6K 5% 1W SM 2512 TA	PT2013	R3.6KG5-2512	2512
4	R24 R28 R46 R53	52-4511	RES 4.99K 1% 1/10W SM 0805 TA	PT1041	R4.99KC1-0805	0805
4	R25 R29 R47 R58	52-4504	RES 499 1% 1/10W SM 0805 TA	PT1102	R499-C1-0805	0805
4	R2-3 R34 R45	52-3206	RES 5.11K 1% 1/10W SM 0805 TA	PT1735	R5.11KC1-0805	0805
1	R11	52-0309	RES 5.62K 1% 1/10W SM 0805 TA	PT2017	R5.62KC1-0805	0805
2	R42-43	52-4503	RES 60.4 1% 1/10W SM 0805 TA	PT1128	R60.4-C1-0805	0805
2	R19 R48	52-3213	RES 634K 1% 1/10W SM 0805 TA	PT1728	R634KC1-0805	0805
2	R33 R52	52-4483	RES 9.53K 1% 1/10W SM 0805 TA	PT2155	R9.53KC1-0805	0805
1	RC1	32-3227	RIBBON CABLE 6 CND 0.1" SPC 1.75" LG	PT2137	RC6-323227	PA1X6-100-039
1	RC2	32-3228	RIBBON CABLE 8 CND 0.1" SPC 1.75" LG	PT2138	RC8-323228	PA1X8-100-039
1	SW1	44-0050	SWITCH DPDT MINI IN-OUT 6 PIN E-SWITCH	PT1256	SW440050	SW440050
1	SW2	44-0051	SWITCH, 4PDT, MINI IN-OUT, 12 PIN, E-SWITCH	PT1257	SW440051	SW440051
1	SW3	OMIT	OMIT SWITCH DPDT MINI IN-OUT 6 PIN E-SWITCH (44-0050)	PT2042	SW440050-0	SW440050

JBL EON15-G2

056369a0.pps

1	U2	72-1439	IC, 5532MD, DUAL BIPOLAR OPAMP, SO8-200	PT1306	U5532MD-S	SO8-200
1	U6	72-4034	IC, LM339, QUAD COMPARATOR, SO14, T&R	PT1048	ULM339-S	SO14
4	U1 U3-5	72-1480	IC, NJM4580, DUAL OP-AMP, SO8	PT1374	UNJM4580-S	SO8
1	VR6	42-0006	POT 10K SIDE ADJUST BK	PT2022	VR10K420006	VRTRIM4
2	VR4-5	40-0084	POT 20K B 9mm ROT 12.5mm D-SHAFT	PT2121	VR20K400084	VR9-12.5DH
2	VR2-3	40-0082	POT 5K A 9mm ROT 12.5mm D-SHAFT	PT2119	VR5K400082	VR9-12.5DH
1	VR1	40-0083	POT 5K C 9mm HOR 15mm D-SFT	PT2120	VR5K400083	VR9X2-12.5DH
2	WA1-2	28-0187-A	WASHER, GROUNDING FOR 32-0118/32-0119	PT1361	WA280187A	WA280187A
1	WH2	36-0135	WIRE HAR 1 C 18AWG GRN 12 " W/ LUG	PT2076	WH360135	PA1X1-000-100
1	WH1	36-0167	WIRE HAR 7C 24AWG BLK 18"	PT2139	WH360167	WH360167

JBL EON15-G2



SIZE: A	SHEET TITLE: EQ BOARD	REVISION: A0
START DATE: 03/08/00	DRAWING NO: 05-6369	SHEET: 4 OF 4

4

3

2

1



THESE DRAWINGS AND SPECIFICATIONS ARE THE PROPERTY OF JBL INCORPORATED. THEY ARE ISSUED IN STRICT CONFIDENCE AND SHALL NOT BE REPRODUCED OR USED AS THE BASIS FOR MANUFACTURE OR APPARATUS WITHOUT WRITTEN PERMISSION.

REVISIONS						
CHG	LTR	DESCRIPTION	DRFT	D.C	DATE	APPR
22931	A	RELEASE -00	KW	RA	8/7/00	TS
24183	B	OBS -00, RELEASE -01	RA	RA	11/20/01	TS
24375	C	ADDED LABEL PAGE	RA	RA	3/7/02	<i>[Signature]</i>

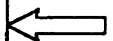
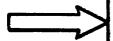
D

PART NO.	DESCRIPTION
250-00001-00	OBSOLETE
250-00001-01	AC INP ASSY, EON 15-G2

D

C

C



B

B

A

A

METRIC

TOLERANCES
UNLESS OTHERWISE SPECIFIED

XX ± 0.3 MM
X ± 1.0 MM

ANGULAR ± 0.5°
DIMS ARE MM
BREAK SHARP EDGES 0.1 MM
ALL DIMENSIONS ARE FINISHED DIMENSIONS
DO NOT SCALE DRAWING

THIRD ANGLE PROJECTION

UNLESS OTHERWISE SPECIFIED DIMENSIONS ARE IN INCH-SIZES
BREAK SHARP EDGES .016 INCH

TOLERANCES (UNLESS OTHERWISE SPECIFIED)

XXXX ± .005 INCH
XX ± .010 INCH
X ± .020 INCH ANGULAR TOLERANCE OF 0°±30'

FRACTIONAL DIMENSIONS ± 1/32

ALL DIMENSIONS ARE FINISHED DIMENSIONS

DO NOT SCALE DRAWING

DRAWN DATE
KW 8/7/00

DESIGNER DATE

ENGR DATE
TS 8/7/00

MODELS USED ON

JBL JBL PROFESSIONAL
A Harman International Company
Northridge, California 91329 U.S.A.

TITLE
AC INPUT MODULE

SIZE B DRAWING NO. 250-00001 REV C

SCALE NONE SHEET OF

NOTES: (UNLESS OTHERWISE SPECIFIED)

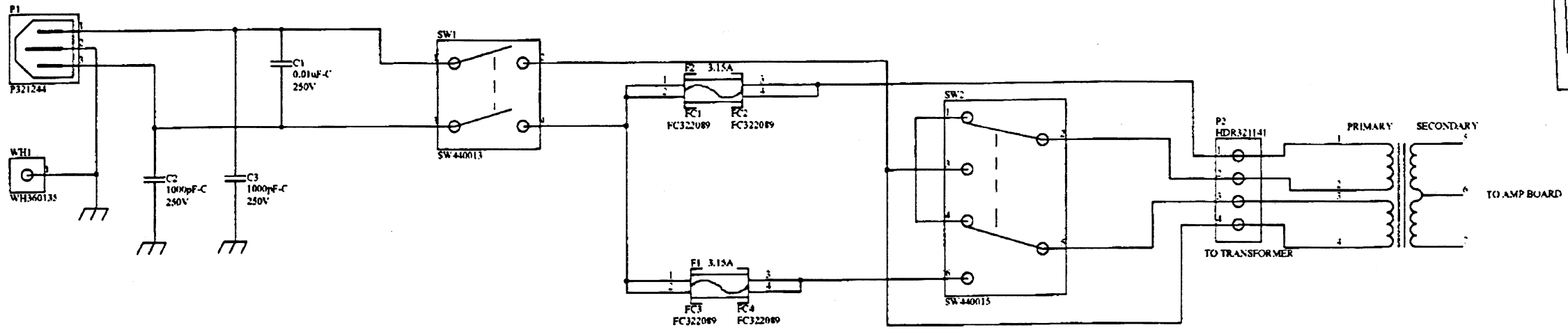
4


3

2

1





		JBL PROFESSIONAL A Harman International Company Northridge, California 91329 U.S.A.	
AC INPUT MODULE			
TITLE	DRAWING NO.	REV	
SIZE	B	250-00001	C
SCALE	NONE	SHEET	OF

SIZE	B	SHEET TITLE	AC Input Module	REV	B0
START DATE:	11-19-01	DRAWING NO.	05-6371	SHEET	1 OF 1

FILM GRAPHIC

CAUTION ATTENTION
TO REDUCE THE RISK OF FIRE REPLACE ONLY WITH SAME TYPE T3.15A 250-FUSE
UTILISER UN FUSIBLE DE RECHANGE DE MEME TYPE DE T3.15A 250V~


SCALE: 1:1

15.1

51

CAUTION ATTENTION
TO REDUCE THE RISK OF FIRE REPLACE ONLY WITH SAME TYPE T3.15A 250-FUSE
UTILISER UN FUSIBLE DE RECHANGE DE MEME TYPE DE T3.15A 250V~

SCALE: 2:1


	JBL PROFESSIONAL A Harman International Company Northridge, California 91329 U.S.A.				
	TITLE AC INPUT MODULE				
SIZE	B	DRAWING NO.	250-00001	REV	C
SCALE	NONE	SHEET		OF	

BOM MATERIAL LISTING LISTING INDENTED EFFECTIVE COMPONENTS

W/O SIGNED LINE WITH CUSTOMER P/N

From Class To 99 From Item 80-8552-00-00 To 80-8552-00-00 Facility Prt Cancellation & Rescheduling Window Y Customer : 201252

Level	Bub No	Seq No	It Ty	Child CC	Item Description	Rv It Customer P/N	Qty No CI	Cum No CI	Eff Reqd	CW Qty	RW UM	Cost Date	Lead Batch size	Lead % Time	Fac Time	Must Cd	Approval Iss Date	Spec. Date	Lot Date	Incr. C.O. Size	Lot Size	
Parent	80-8552-00-00				EON 15G2&SUBG2 AC INPUT ASSY	Item class 80			UOM EA					1.000			Revision No 06					
1	100	1	M	70-8552-00-00	MS,EON 15G2&SUBG2 AC		03	70	.000000		.000	EA	3/09/01	0WKS	0WKS			N			1	1
1	190	9	P	920 92-3603-01-00	LBL-PALLET,A122,PEACO I200		02	92	.014300		.014	EA	5/31/01	3WKS	2WKS	24	24	N			1000	500
				V 92-3603-01-00	BETTER												11/10/00					
				V 92-3603-01-00	CHUNG TAI												11/10/00					
1	200	3	P	920 92-6014-00-00	LBL-BLANK FOR S/N,VDS I150		04	92	.014000		.014	EA	8/08/01	3WKS	2WKS	24	24	N			20000	1000
				V THT-53-423-3	BRADY												9/20/96					
				V 92-6014-00-00	MILLION																	
				V 92-6014-00-00	BETTER																	
1	210	4	P	932 93-9005-00-00	CARTON-SHEET EON10G2 I110		01	93	.043000		.043	EA	4/16/01	3WKS	2WKS	24	24	N			500	100
				V 93-9005-00-00	GRAND YICK												5/17/01					
1	220	5	P	932 93-9006-00-00	CARTON-INST EON10G2 R I120		01	93	.229000		.229	EA	4/16/01	3WKS	2WKS	24	24	N			500	100
				V 93-9006-00-00	GRAND YICK												5/16/01					
1	230	6	P	932 93-9019-00-00	CARTON-INST EON10G2 I130		01	93	.171500		.171	EA	8/08/01	3WKS	2WKS	24	24	N			500	100
				V 93-9019-00-00	GRAND-YICK												5/18/01					
1	250	7	P	940 94-6003-00-00	BUBBLE BAG(ANTI-STATI I140		01	94	1.000000		1.000	EA	4/16/01	3WKS	2WKS	24	24	N			1000	100
				V 94-6003-00-00	WAH FUNG												7/14/97					
1	300	8	P	980 98-8426-10-00	EXP CTN EON10G2 R.0 I100	20-5200-A	01	98	.014300		.014	EA	8/08/01	3WKS	2WKS	24	24	N			50	5
				V 98-8426-10-00	GRAND YICK												4/17/01					
1	500	2	M	85-8552-00-00	PROD ASSY,EON 15G2&SU		01	85	1.000000		1.000	EA	3/09/01	0WKS	0WKS			N			1	1
.2	200	1	P	322 31-8859-00-00	PANEL EON15G2 AC INPU I10	14-6368	01	31	1.000000		1.000	EA	3/09/01	4WKS	2WKS	30	30	N			500	10
				V 31-8859-00-00	WAI HING												6/22/01	5/21/01				
.2	300	2	P	920 92-8863-10-00	LABEL CAUTION EON10G2 IAB3	30-6295	01	92	1.000000		1.000	EA	3/09/01	0WKS	0WKS	24	24	N			1000	500
				V 92-8863-10-00	BETTER												6/07/01					
.2	500	3	M	50-8552-00-00	PCB ASSY,EON 15G2&SUB		02	50	1.000000		1.000	EA	3/09/01	0WKS	0WKS			N			1	1
..3	100	1	P	22A 22-3102-65-10	C-CR,1000PF,250V,20% C2,3	62-0049	03	22	2.000000		2.000	EA	3/09/01	4WKS	2WKS	88	88	N			4000	4000
				V ECK-ATS102ME	PANASONIC												4/20/01					

		JBL PROFESSIONAL A Harman International Company Northridge, California 91329 U.S.A.	
TITLE AC INPUT MODULE			
SIZE B	DRAWING NO. 250-00001		REV C
SCALE NONE		SHEET OF	


..3	150	2 P	22A 22-3103-65-00 C-CR,0.01UF,250V,20% 62-0048	03 22	1.000000	1.000 EA	3/09/01	4WKS 2WKS	88 88	N	200	200
			V AC10B102KL7 PAN OVERSEAS									
			C1									
			V ECK-ATS103MF PANASONIC					4/21/01				
..3	200	3 P	351 35-8670-10-00 PCB EON15G2 AC INPUT 80-6371	02 35	1.000000	1.000 EA	3/09/01	4WKS 2WKS	52 52	N	100	10
			V AC16F103ML0 PAN OVERSEAS									
			V 35-8670-10-00 TAITON					5/28/01 5/14/01				
..3	230	4 P	402 40-A971-00-00 HEADER 1X4PIN SHROUDE 32-1141	01 40	1.000000	1.000 EA	3/09/01	4WKS 2WKS	77 77	N	2000	1000
			P2									
			V 15-24-4049 MOLEX					5/25/01				
..3	240	5 P	402 40-A972-00-00 POWER JACK 3PIN RECEP 32-1244	01 40	1.000000	1.000 EA	3/09/01	4WKS 2WKS	44 44	N	1000	100
			P1									

BOM203

VTECH COMMUNICATIONS LTD. (CMS) 11/15/01 19.16.34 PAGE 2
 BOM MATERIAL LISTING LISTING INDENTED EFFECTIVE COMPONENTS W/O SIGNED LINE WITH CUSTOMER P/N
 From Class To 99 From Item 80-8552-00-00 To 80-8552-00-00 Facility Prt Cancellation & Rescheduling Window Y Customer : 201252

Level	Bub	Seq	It	Child	Rv	It	Qty	Cum	Eff	CW	RW	Cost	Lead	Lead	Fac	Must	Approval	Spec.	Lot	Incr.	Lot	Size
	No	No	Ty	CC	Item	Description	Customer P/N	No Cl	Reqd	Qty	UM	Date	%	Time	Time	Cd	Iss	Date	Date	C.O.	Size	Lot Size
..3	280	6 P	421	42-7295-00-00	SW VOLT SELECT	120/23	44-0015	01 42	1.000000	1.000 EA	3/09/01	4WKS 2WKS	56 56	N				7/23/01			900	300
					V 42R05-3113-150 POWER DYNAMICS																	
					SW2																	
..3	290	7 P	421	42-7296-00-00	PROWER SW ON/OFF	44-0013	01 42	1.000000	1.000 EA	3/09/01	4WKS 2WKS	44 44	N				6/04/01			500	100	
					V 4021.4723 MARQUARDT																	
					SW1																	
..3	320	8 P	440	44-7317-10-00	FUSE, TIME DELAY:IEC-P	32-0052	01 44	2.000000	2.000 EA	11/15/01	0WKS 0WKS	66 66	N							500	100	
					V A8C23112R000-01 SIBER AMERICA																	
					V GDC-3.15A BUSSMANN																	
..3	330	9 P	442	44-7319-00-00	FUSE CLIP, FOR 2AG OR	32-2089	01 44	4.000000	4.000 EA	3/09/01	4WKS 2WKS	48 48	N							1000	1000	
					FC1-4																	
					V 111-501 LITTLEFUSE																	
..3	350	10 P	465	46-7544-00-00	CABLE ASSY 1 WAY GRE/	36-0135	02 46	1.000000	1.000 EA	3/09/01	4WKS 2WKS	44 44	N							500	100	
					WH1																	
					V 46-7544-00-00 CHUNG YI													5/18/01			20000	1000
..3	500	11 P	920	92-6014-00-00	LBL-BLANK FOR S/N,VDS		04 92	.525000	.525 EA	3/09/01	3WKS 2WKS	24 24	N									
					LAB1																	
					V THT-53-423-3 BRADY													9/20/96				
					V 92-6014-00-00 MILLION																	
					V 92-6014-00-00 BETTER																	
..3	520	12 P	920	92-8317-04-00	VTN SERIAL BARCODE LB		03 92	1.000000	1.000 EA	3/09/01	3WKS 2WKS	24 24	N							1000	500	
					LAB2																	
					V 92-8317-04-00 MAN HING													11/27/98				
					V 92-8317-04-00 BETTER													11/27/98				

>> End of BOM Report <<

		JBL PROFESSIONAL A Harman International Company Northridge, California 91329 U.S.A.	
TITLE AC INPUT MODULE			
SIZE B	DRAWING NO. 250-00001		REV C
SCALE NONE		SHEET OF	