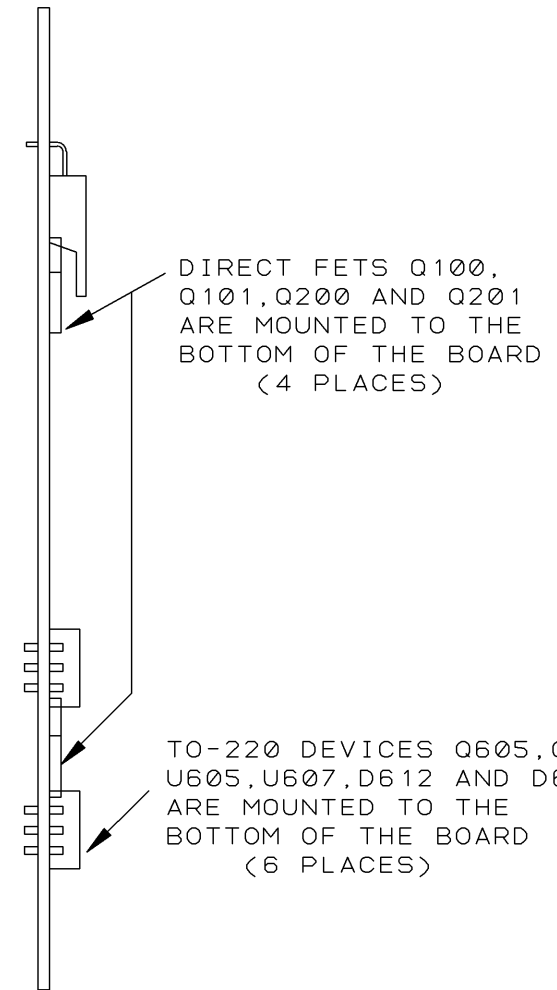
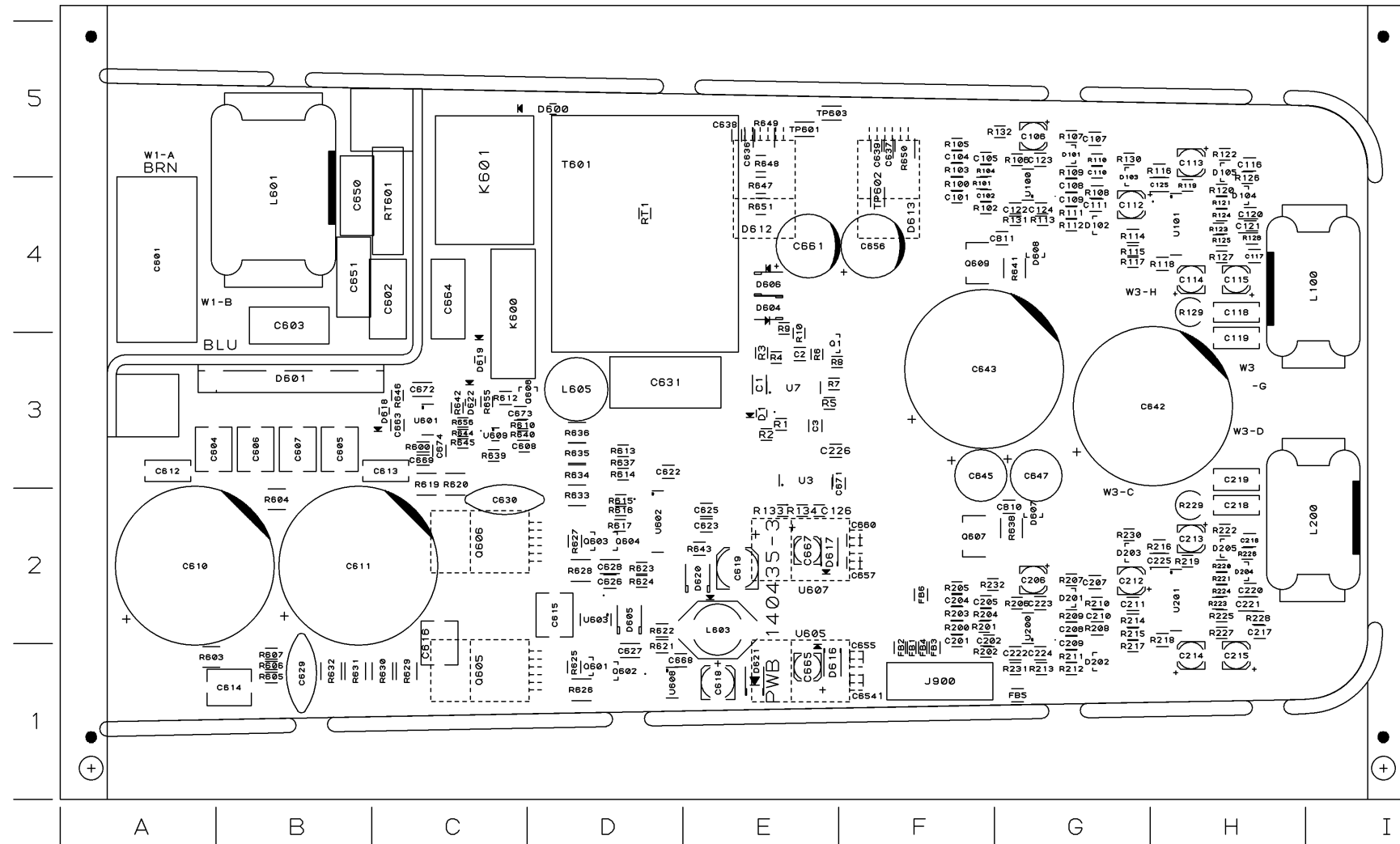


REVISION HISTORY

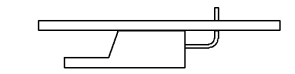
E. C. N.	ZONE	REV	DESCRIPTION	DATE	APPROVED		
					DWN	CM	PE
		1	SEE 140436-3_1.XLS FOR COMPONENT DATA AND REVISION HISTORY.	4-25-08	TRW		EB

COMPONENT MAP TOP



DIRECT FETS Q100, Q101, Q200 AND Q201 ARE MOUNTED TO THE BOTTOM OF THE BOARD (4 PLACES)


TO-220 DEVICES Q605, Q606, U605, U607, D612 AND D613 ARE MOUNTED TO THE BOTTOM OF THE BOARD (6 PLACES)



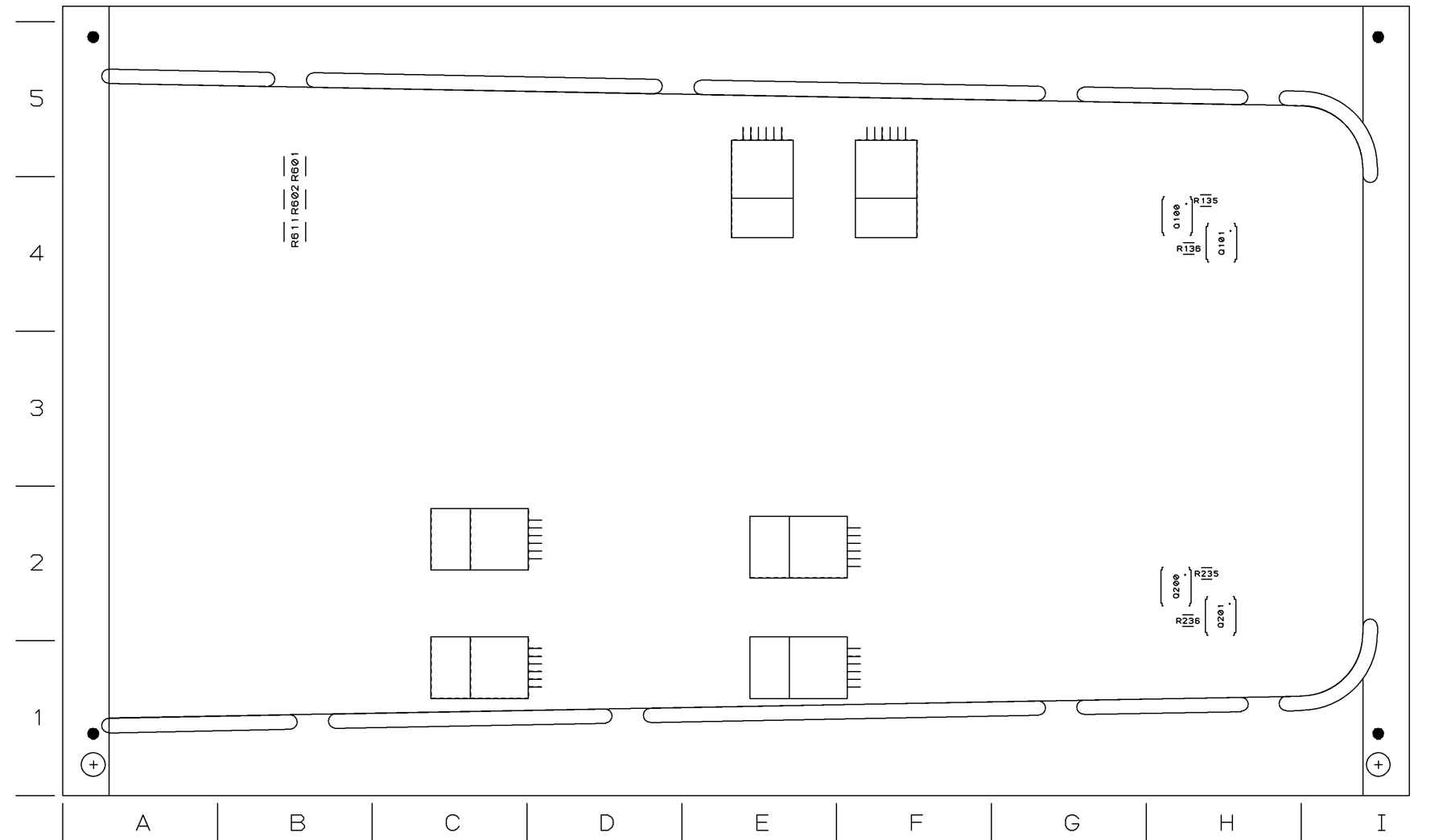
Q605, Q606, U605, U607, D612 AND D613 MOUNTING AS VIEWED FROM EDGE OF THE PWB.

UNCONTROLLED
UNLESS OTHERWISE MARKED IN RED INK BY CM AS A CONTROLLED COPY, COPIES OF THESE DOCUMENTS INCLUDING ASSOCIATED ELECTRONIC REPRODUCTIONS ARE FOR REFERENCE ONLY.

THESE DRAWINGS AND SPECIFICATIONS ARE THE PROPERTY OF CROWN INTERNATIONAL, INC. AND SHALL NOT BE REPRODUCED, COPIED, OR USED AS THE BASIS FOR THE MANUFACTURE OR SALE OF APPARATUS OR DEVICES WITHOUT PERMISSION.

DISTRIBUTION	DWN	TRW	4-25-08	 Crown H A Harman International Company 1718 WEST MISHAWAKA RD. ELKHART IN, 46517 PHONE 574-294-8000 WWW.CROWNAUDIO.COM
FILENAME	CM	EB	4-25-08	
140436-3_1_01.PCB	PE			TITLE
TOLERANCE UNLESS OTHERWISE SPECIFIED				PWA, EON510
.00 = ±.02"				SIZE DWG NO.
.000 = ±.010"				B 140436-3
DRILLS = ±.003"				REV 1
DO NOT SCALE DRAWING				SCALE NONE
				PROJ NO. EON510
				SHEET 1 OF 4

COMPONENT MAP BOTTOM

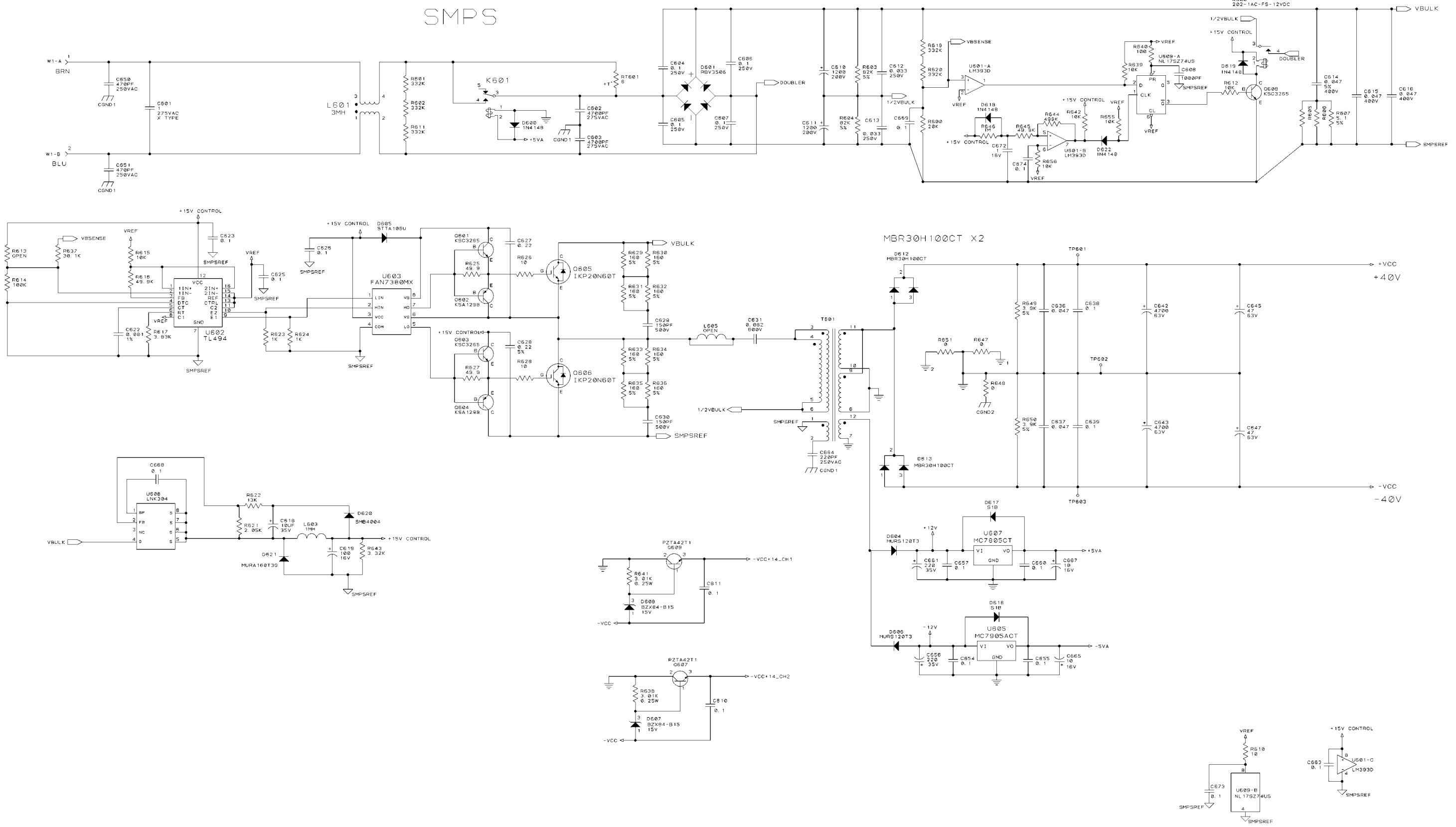


UNCONTROLLED
UNLESS OTHERWISE MARKED IN RED INK BY CM AS A CONTROLLED COPY, COPIES OF THESE DOCUMENTS INCLUDING ASSOCIATED ELECTRONIC REPRODUCTIONS ARE FOR REFERENCE ONLY.

THESE DRAWINGS AND SPECIFICATIONS ARE THE PROPERTY OF CROWN INTERNATIONAL, INC. AND SHALL NOT BE REPRODUCED, COPIED, OR USED AS THE BASIS FOR THE MANUFACTURE OR SALE OF APPARATUS OR DEVICES WITHOUT PERMISSION.

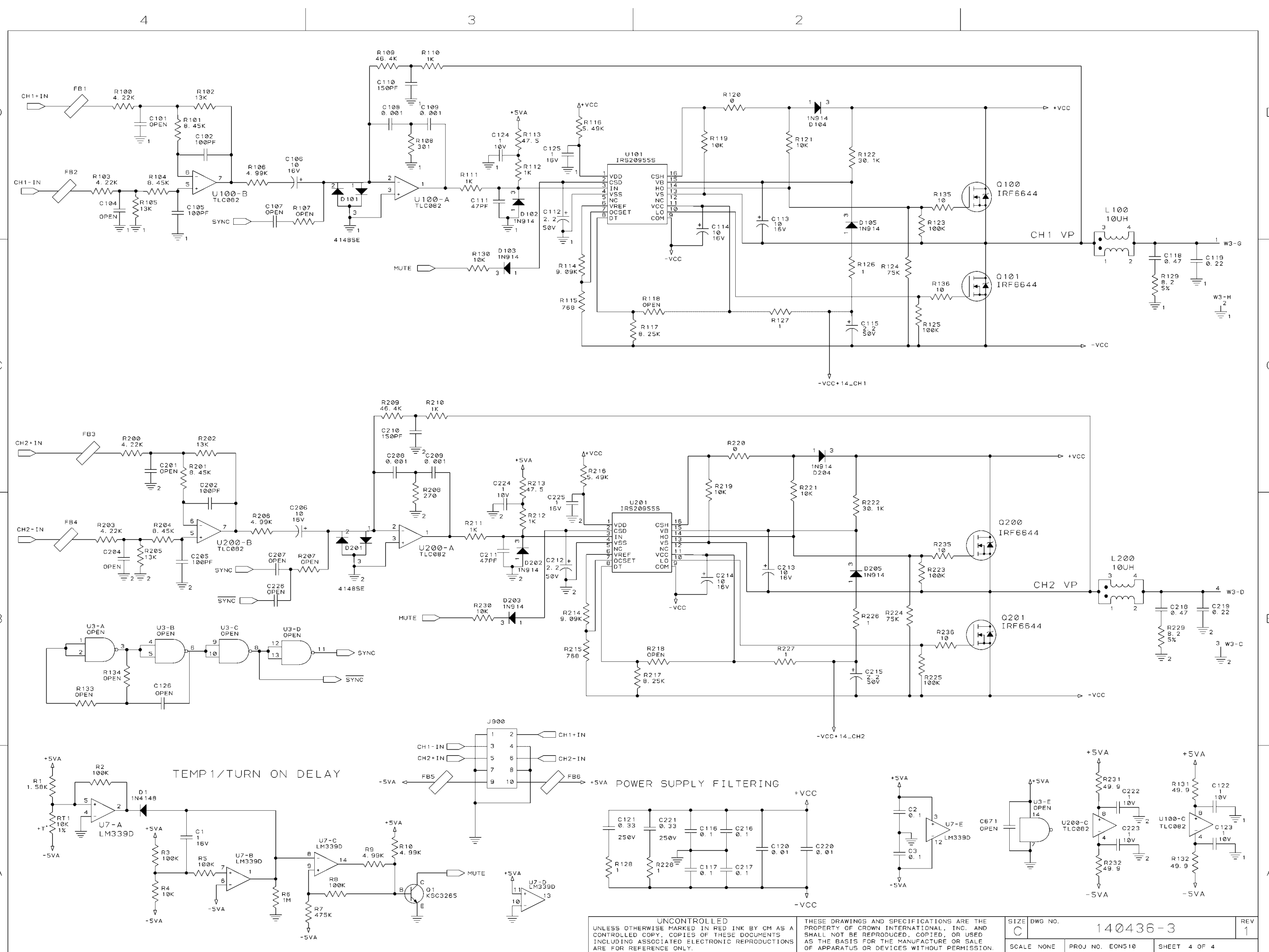
SIZE B	DWG NO. 140436-3_1	REV 1
SCALE NONE	PROJ NO. EON510	SHEET 2 OF 4

SMPS



- NOTES:
- ALL RESISTORS ARE IN OHMS. 0.10W, 1% UNLESS OTHERWISE SPECIFIED.
 - ALL CAPACITORS ARE IN MICROFARADS UNLESS OTHERWISE SPECIFIED.

UNCONTROLLED	THESE DRAWINGS AND SPECIFICATIONS ARE THE PROPERTY OF CROWN INTERNATIONAL, INC. AND SHALL NOT BE REPRODUCED, COPIED, OR USED AS THE BASIS FOR THE MANUFACTURE OR SALE OF APPARATUS OR DEVICES WITHOUT PERMISSION.	SIZE: D	DWG NO: 140436-3	REV: 1
		SCALE: NONE	PROJ NO: EONS10	SHEET 3 OF 4



UNCONTROLLED		THESE DRAWINGS AND SPECIFICATIONS ARE THE PROPERTY OF CROWN INTERNATIONAL, INC. AND SHALL NOT BE REPRODUCED, COPIED, OR USED AS THE BASIS FOR THE MANUFACTURE OR SALE OF APPARATUS OR DEVICES WITHOUT PERMISSION.		SIZE	DWG NO.	REV
UNLESS OTHERWISE MARKED IN RED INK BY CM AS A CONTROLLED COPY, COPIES OF THESE DOCUMENTS INCLUDING ASSOCIATED ELECTRONIC REPRODUCTIONS ARE FOR REFERENCE ONLY.				C	140436-3	1
				SCALE	PROJ NO. EON510	SHEET 4 OF 4