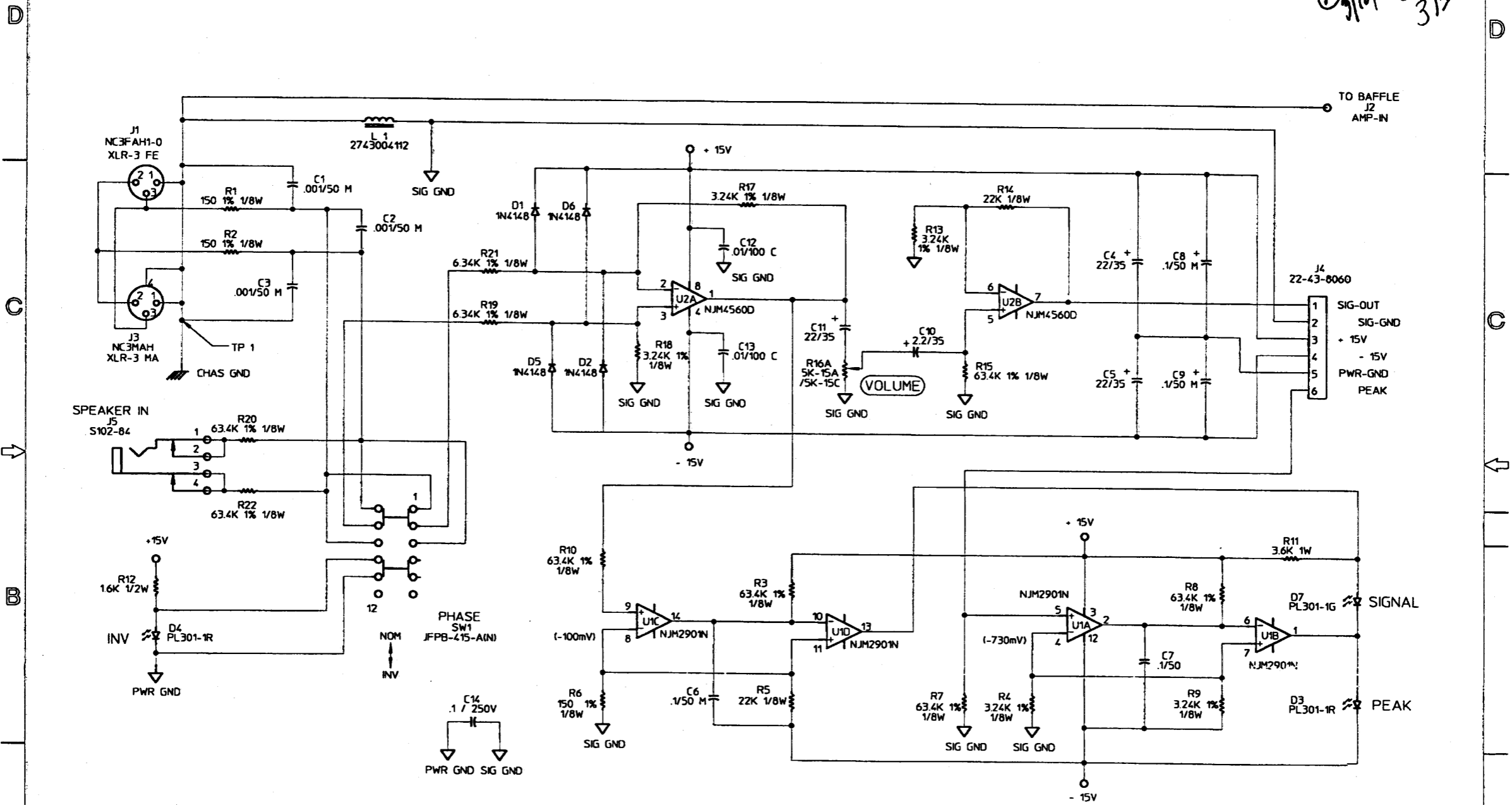


THESE DRAWINGS AND SPECIFICATIONS ARE THE PROPERTY OF JBL Incorporated THEY ARE ISSUED IN STRICT CONFIDENCE AND SHALL NOT BE REPRODUCED, COPIED, OR USED AS THE BASIS FOR MANUFACTURING OR SALE OF APPARATUS WITHOUT WRITTEN PERMISSION.

REVISIONS						
CHG	LTR	DESCRIPTION	DRFT	CHK	DATE	APPR
473	C	RELEASE FOR PRODUCTION (REDRAWN)	YUKI			

*Handwritten:* 3/10/96  
3/20/96



4. THE SCHEMATIC CORRESPONDS TO RAW PCB 510-00002-00 (REV B).  
 3. R16B 5K-15A/5K-15C IS UNUSED.  
 2. U1 : NJM 2901N  
 U2 : NJM 4560D  
 1. + INPUT ON XLR'S IS PIN 2.  
 SYSTEM IS NON-INVERTING FROM + INPUT TO SPEAKER OUTPUT.  
 NOTES: (UNLESS OTHERWISE SPECIFIED)

ITEM	PART NO.	DESCRIPTION	REMARKS/REF P/N'S
<p>NON-SIZES                      BREAK SHARP EDGES 0/6 INCH                      TOLERANCES UNLESS OTHERWISE SPECIFIED                      HOLE - .005 INCH                      SLOT - .010 INCH                      X.X - .020 INCH                      ANGULAR -                      FRACTIONAL DIMENSIONS - 1/32                      ALL DIMENSIONS ARE FINISHED DIMENSIONS                      DO NOT SCALE DRAWING</p>			
ENGR		DATE	<p><b>JBL Professional</b>                      A Harman International Company                      Northridge, California 91329, U.S.A.</p>
PRODUCT MGR		DATE	
MODELS USED ON		<p>TITLE  <b>SCHEMATIC, SIGNAL INPUT</b></p>	
EON SUB		<p>SIZE C DRAWING NO. <b>500-00005</b> REV C</p>	<p>SCALE: 1 / 1 SHEET OF</p>