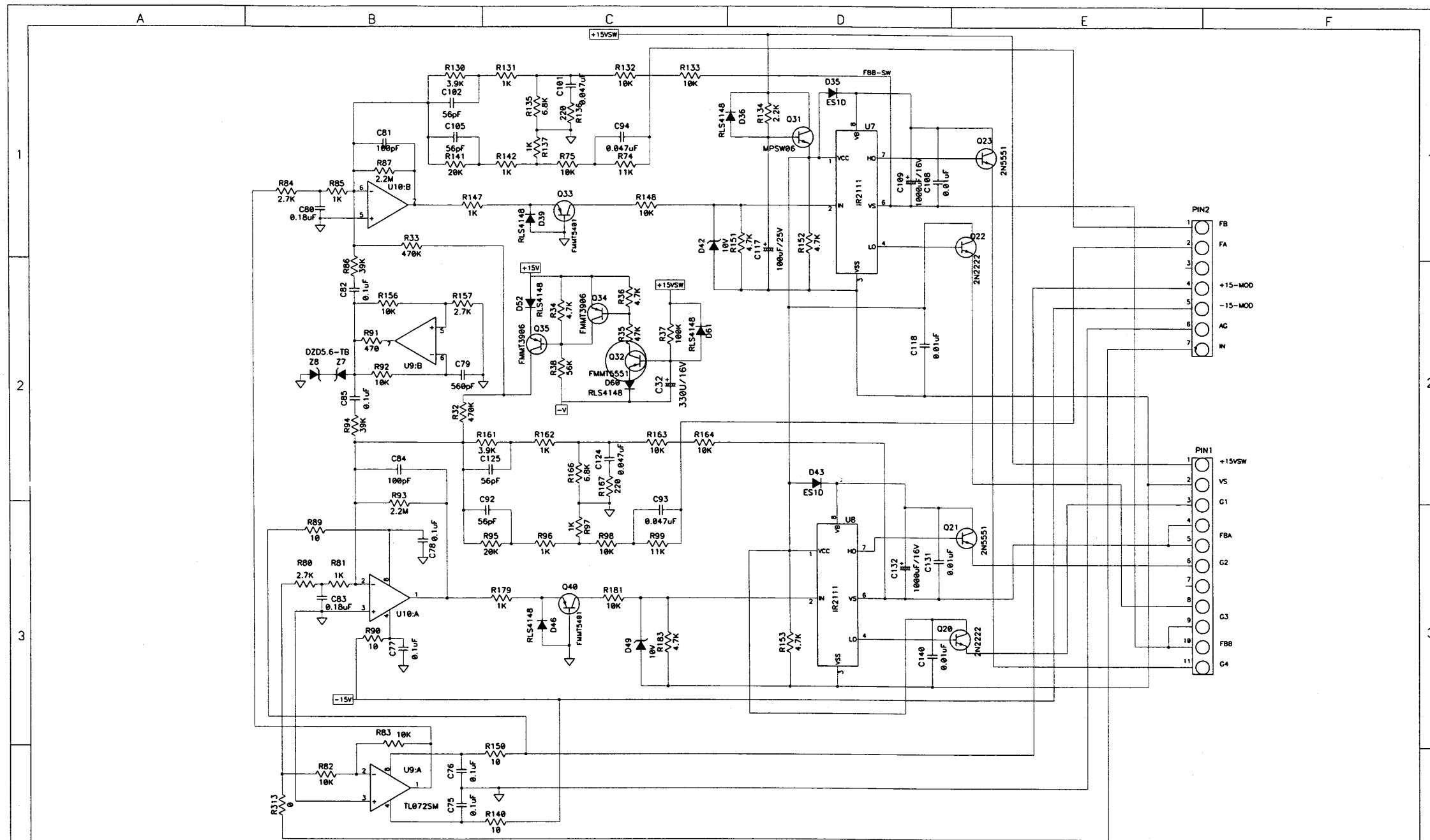


* ALL TEST POINTS(+15VSW)=-35Vdc

| | | | | | | | | | |
|---|--|------------|--|------------|---------|-------------|------------|-------------|---------------------------|
| 4 | Rev: Notes: | Date: | Rev: Notes: | Date: | Draw by | Designed by | Checked by | Approved By | Customer: |
| | P1A SF22SP New Design | 2002/01/02 | P1H Delete R322 (270R 3W) | 2002/04/09 | | | | | JBL PRO |
| | P1B CKT UPDATE | 2002/01/09 | P1I Mass Production P1H = REV01 | 2002/04/17 | | | | | P/N: |
| | P1C ADD : C8, R15, 16, 17, D21 | 2002/02/08 | P1J Add : D50, 51, 55, 56 | 2002/06/13 | | | | | Model no: SF22SP AMP |
| | P1D ADD : C7, 29, D8, 14, R18 | 2002/02/25 | P1K Del : R76, 78 Add : P11, BR2, C15, 16 | 2002/08/15 | | | | | Sch name: CLASS D AMP PCB |
| | P1E ADD : D7, R9-11, 14, Q36 Change : P1, Del : C29, R18 | 2002/03/11 | P1L CKT D21, Q32 LOCATION, PORT NAME REVISED | 2002/12/04 | | | | | Issue no: |
| | P1F ADD : R19-22, Change : Q6, 8, Del : R77, 79, D2, 3. | 2002/03/27 | | | | | | | Date: 2002/12/04 |
| | P1G ADD : R232 (For LM2574N Option ; May be 270R --- 360R 3W) C104, C119, R18, R21 | 2002/04/02 | | | | | | | Sheet: Rev: P1L |
| | | | | | | | | | Size: A2 Author: VITA |

ELYTONE ELECTRONIC CO. LTD.
TEL: +886-2-2671-2071
FAX: +886-2-2672-5943



| | | | | | | | | | | |
|---|--|------------|--|------------|---------|-------------|---|-------------|------------------------------|--|
| 4 | Rev: Notes: | Date: | Rev: Notes: | Date: | Draw by | Designed by | Checked by | Approved By | Customer: JBL PRO | |
| | P1A SF22SP New Design | 2002/01/02 | P1H Delete R322 (270R 3W) | 2002/04/09 | | | | | P/N: | |
| | P1B CKT UPDATE | 2002/01/09 | P1I Mass Production P1H = REV01 | 2002/04/17 | | | | | Model no: SF22SP AMP | |
| | P1C ADD : C8, R15, 16, 17, D21 | 2002/02/08 | P1J Add : D50,51,55,56 | 2002/06/13 | | | | | Sch name: CLASS D DRIVER PCB | |
| | P1D ADD : C7, 29, D8, 14, R18 | 2002/02/25 | P1K Del : R76, 78 Add : P11, BR2, C15,16 | 2002/08/15 | | | | | Issue no: | |
| | P1E ADD : D7, R9-11, 14, Q36 Change : P1, Del : C29, R18 | 2002/03/11 | P1L CKT D21, Q32 LOCATION, PORT NAME REVISED | 2002/12/04 | | | | | Date: 2002/12/04 | |
| | P1F ADD : R19-22, Change : Q6, 8, Del : R77,79, D2, 3, | 2002/03/27 | | | | | | | Sheet: Rev: P1L | |
| | P1G D35 Connected to Vcc Pin1 | 2002/04/02 | | | | | | | Size: A2 Author: VITA | |
| | A | B | C | D | E | F | ELYTONE ELECTRONIC CO.,LTD. TEL:+886-2-2671-2071 FAX:+886-2-2672-5943 | | | |