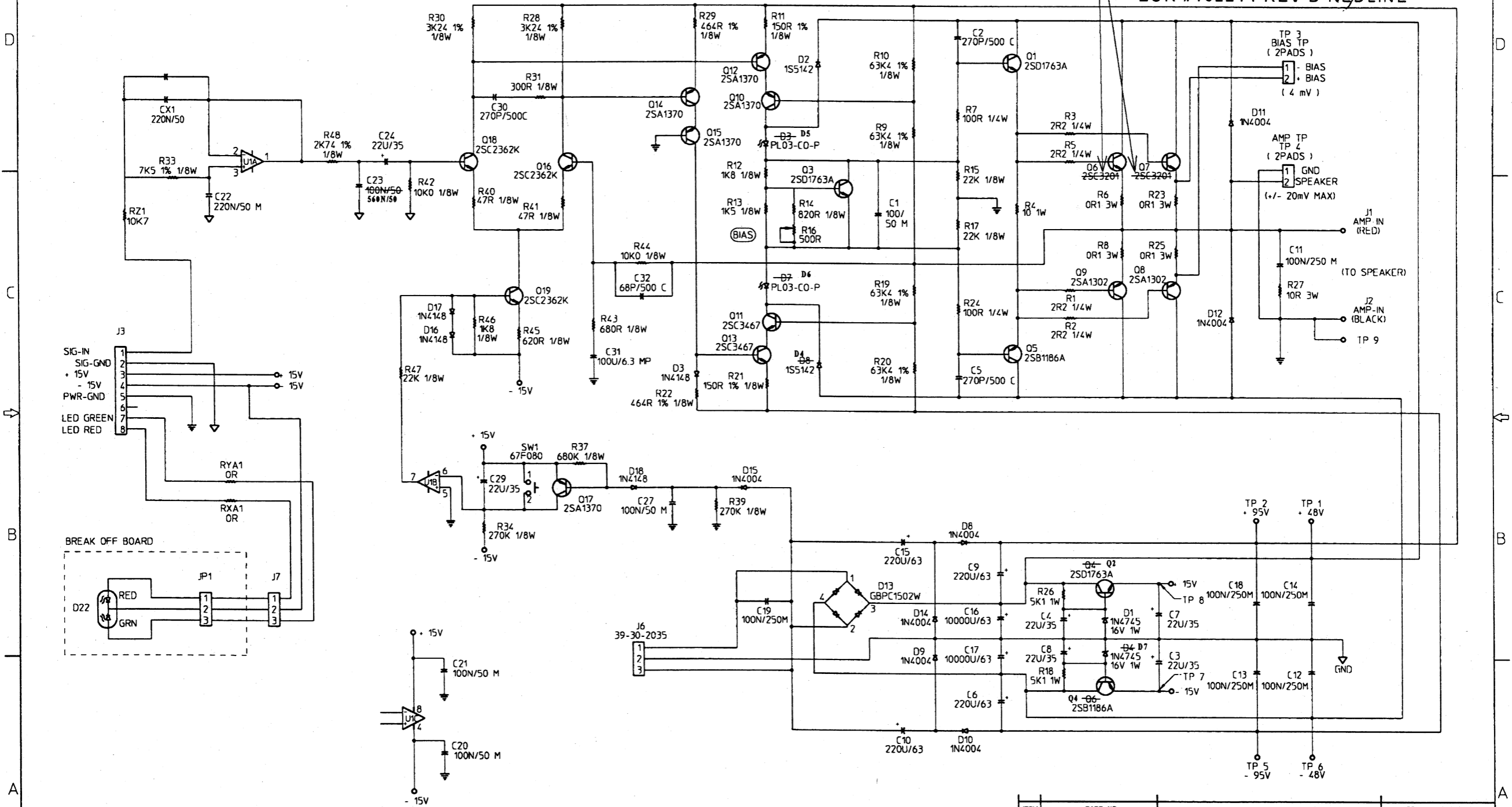


THESE DRAWINGS AND SPECIFICATIONS ARE THE PROPERTY OF JBL. INCORPORATED THEY ARE ISSUED IN STRICT CONFIDENCE AND SHALL NOT BE REPRODUCED, COPIED, OR USED AS THE BASIS FOR MANUFACTURING OR SALE OF APPARATUS WITHOUT WRITTEN PERMISSION.

REVISIONS						
CHG	LTR	DESCRIPTION	DRFT	CHK	DATE	APPR
101798	A	RELEASE FOR PRODUCTION	YUKI	M.H	2/11/98	T.S
101821	B	REV VALUE	YUKI			

ECR 101968 REV C REDLINE
ECR #102214 REV D REDLINE



- 2. U1 : NJM 4560D
- 1. THE SCHEMATIC CORESPONDS TO RAW PCB 510-00032-00.

NOTES: (UNLESS OTHERWISE SPECIFIED)

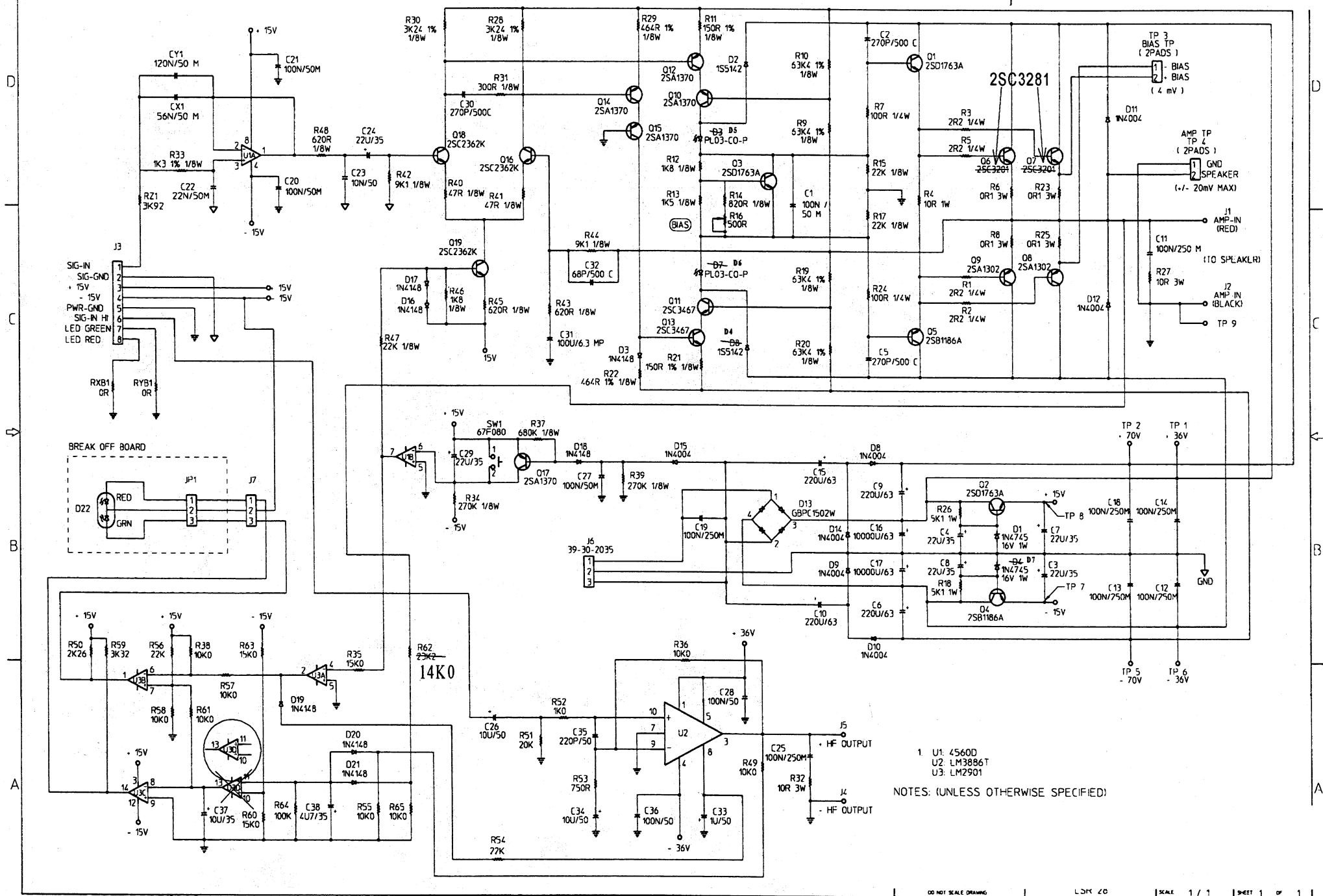
UNCONTROLLED COPY

ITEM	PART NO.	DESCRIPTION	REMARKS/REF P/N'S
<p>INCH-SIZES BREAK SHARP EDGES 016 INCH TOLERANCES UNLESS OTHERWISE SPECIFIED: .XXX ± .005 INCH .XX ± .010 INCH .X ± .020 INCH ANGULAR FRACTIONAL DIMENSIONS: 1/32 ALL DIMENSIONS ARE FINISHED DIMENSIONS DO NOT SCALE DRAWING</p>			
DRAWN BY YUKI		DATE 5/2/97	<p>JBL Professional A Harman International Company Northridge, California 91329, U.S.A.</p> <p>TITLE SCHEMATIC, MAIN BOARD</p> <p>SIZE D</p> <p>SCALE 1 / 1</p>
CHECKED M.HAWA		DATE 2/11/98	
ENGR T.SHUITLWORTH		DATE 2/11/98	
MODELS USED ON LSR 12P			<p>500-00040</p> <p>SHEET 1 OF 1</p>

THESE DRAWINGS AND SPECIFICATIONS ARE THE PROPERTY OF JBL. UNLESS OTHERWISE SPECIFIED THEY ARE ISSUED IN STRICT CONFIDENCE AND SHALL NOT BE REPRODUCED, COPIED, OR USED AS THE BASIS FOR MANUFACTURING OR SALE OF APPARATUS WITHOUT WRITTEN PERMISSION.

UNCONTROLLED COPY

REVISIONS					
CHG	LTR	DESCRIPTION	DRFT	CHK	DATE
19	W	RELEASE FOR PRODUCTION	YUKI		12/21/78

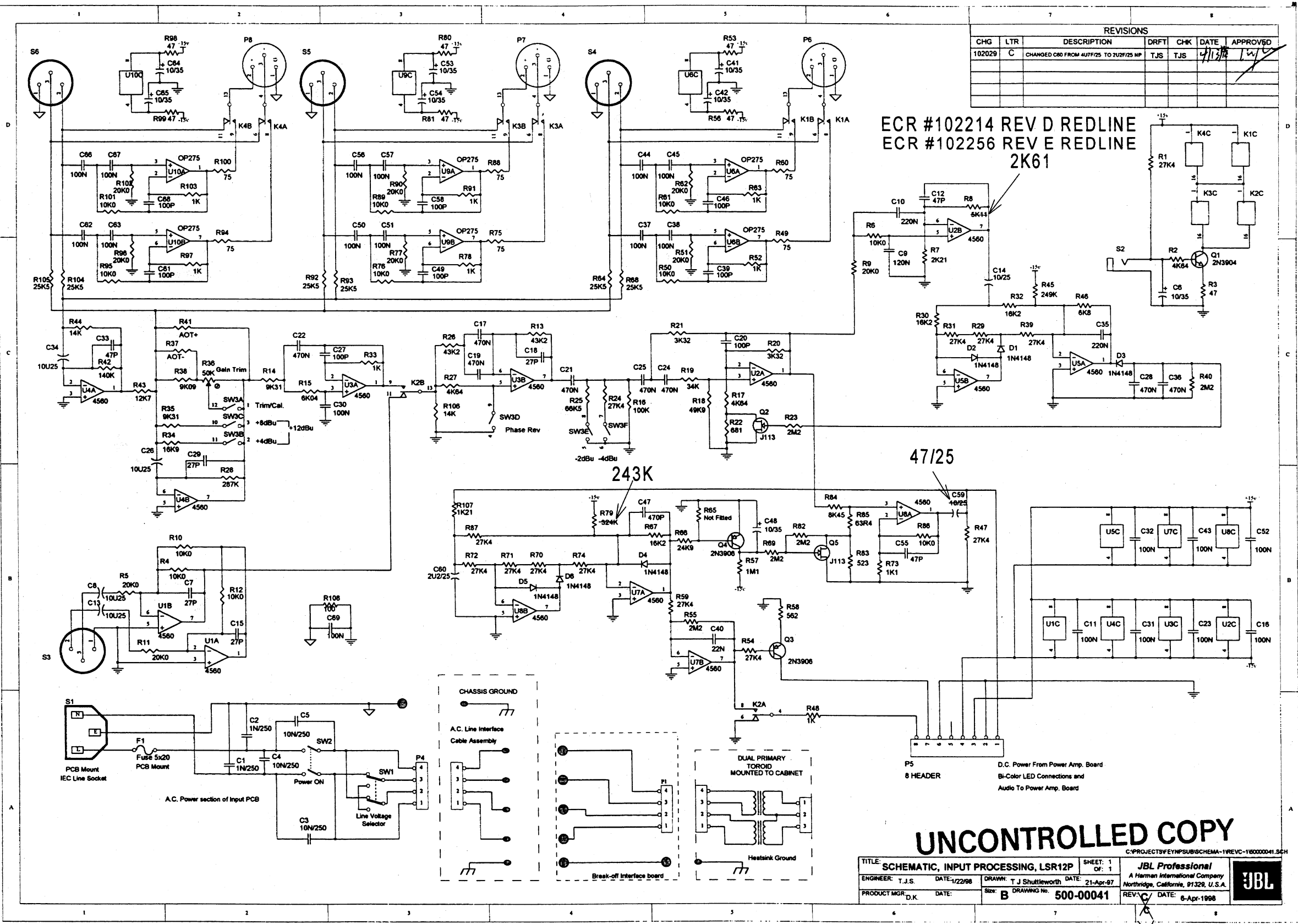


1. U1: 4560D
 2. U2: LM3886T
 3. U3: LM2901

NOTES: (UNLESS OTHERWISE SPECIFIED)

REVISIONS						
CHG	LTR	DESCRIPTION	DRFT	CHK	DATE	APPROVED
102029	C	CHANGED C80 FROM 4U7F/25 TO 2U2F/25 NP	TJS	TJS	4/11/98	[Signature]

ECR #102214 REV D REDLINE
ECR #102256 REV E REDLINE
2K61



UNCONTROLLED COPY

TITLE: SCHEMATIC, INPUT PROCESSING, LSR12P		SHEET: 1 OF 1	
ENGINEER: T.J.S.	DATE: 1/22/98	DRAWN: T.J. Shuttleworth	DATE: 21-Apr-97
PRODUCT MGR: D.K.	DATE:	Size: B	DRAWING No. 500-00041
REV: C		DATE: 6-Apr-1998	

C:\PROJECTS\FEYNPSUBSCHEMA-1\REV C-160000041.SCH
JBL Professional
 A Harman International Company
 Northridge, California, 91329, U.S.A.



D E