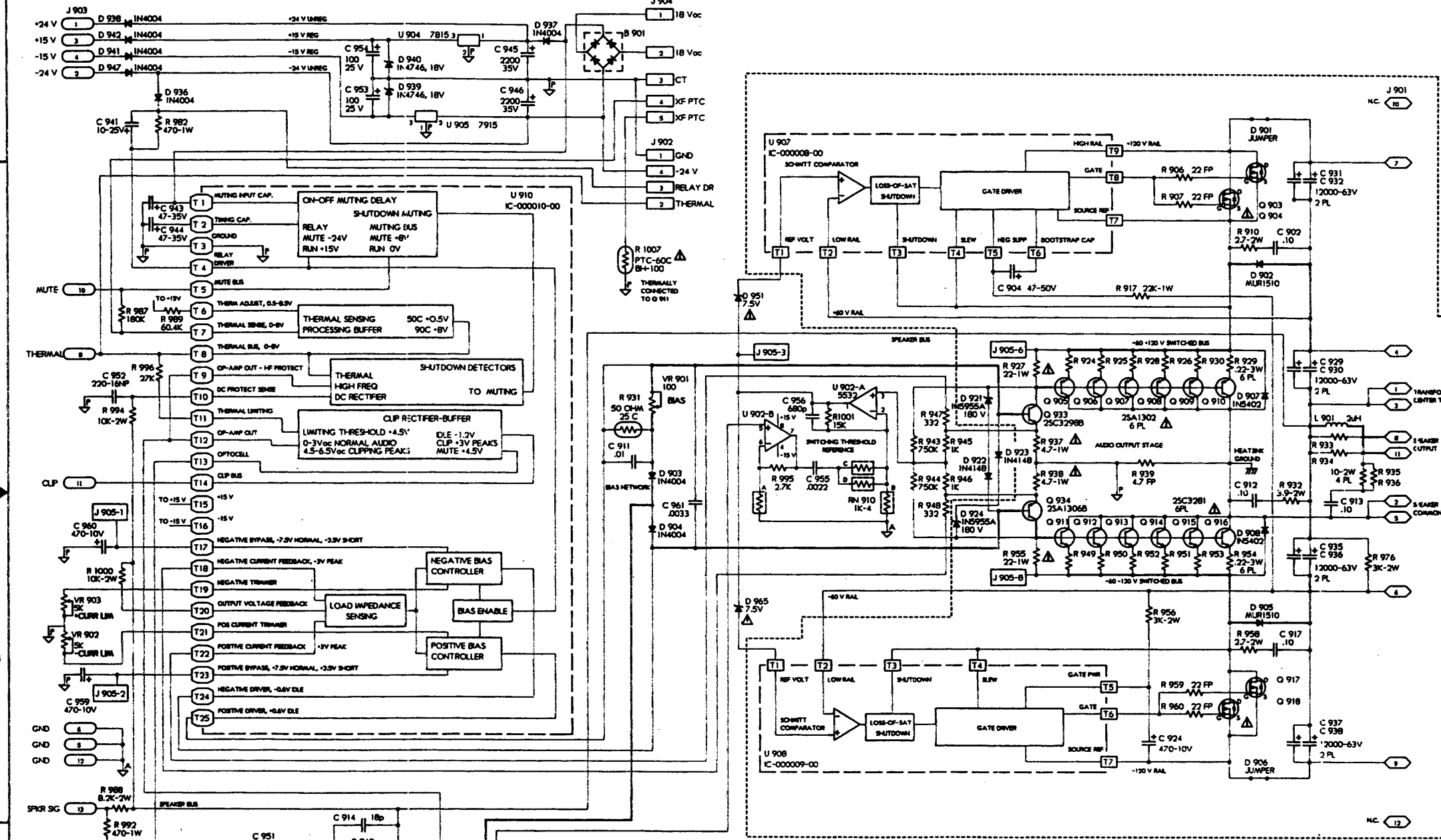


REV		DESCRIPTION	DATE	APPROVED
A		PROD RELEASE PER ECO 1040 GLF	3-25-91	G.F.
B		PER ECO 1095 GLF	6-10-91	S.G.M.
C		REVISED PER ECO 1219	9-13-91	S.G.M.
D		REVISED PER ECO 1194	RDS 9-13-91	S.G.M.
E		REVISED PER ECO 1262	10-9-91	S.G.M.
F		REVISED PER ECO 1290	PHQ 11-6-91	S.G.M.
G		REVISED PER ECO 1367, R 987-THERMAL	PHQ 1-27-92	S.G.M.
H		REVISED PER ECO 1462, R996, R991, U903	SGM 10-14-92	S.G.M.
I		REVISED PER ECO 1692, R989 WR	12-15-92	S.G.M.
J		REVISED PER ECO 1724, R989	1-19-93	S.G.M.

THESE DRAWINGS AND SPECIFICATIONS ARE THE PROPERTY OF JBL PROFESSIONAL PRODUCTS. THEY ARE ISSUED IN STRICT CONFIDENCE AND SHALL NOT BE REPRODUCED, COPIED, OR USED AS THE BASIS FOR MANUFACTURE OR SALE OF APPARATUS WITHOUT WRITTEN PERMISSION.

SCHEMATIC, AMPLIFIER CHANNEL, MPA 750
REV G, 10-14-92, FOR PC-004200-00 REV E



SCHEDULE OF TEST POINTS J 905-1 THRU J 905-8

- J 905-1 NEGATIVE LIMITING VOLTAGE
- J 905-2 POSITIVE LIMITING VOLTAGE
- J 905-3 SWITCHING THRESHOLD REFERENCE VOLTAGE
- J 905-4 AMPLIFIER LOOP OPAMP OUTPUT
- J 905-6 SWITCHED POS AMPLIFIER RAIL-HIGH VOLTAGE
- J 905-8 SWITCHED NEG AMPLIFIER RAIL-HIGH VOLTAGE

PART NUMBERING SCHEDULE FOR PCBs USED IN EX-2500

PCB NUMBER	DESCRIPTION	CH-1 PARTS	CH-2 PARTS	PARTS IN COMMON
PC-004001-00	DISPLAY PCB	101-199	201-299	1-29
PC-004002-00	INPUT PCB	301-399	401-499	31-49
PC-004003-00	AC PCB	501-599	601-699	51-69
PC-004004-00	SPKR PCB	701-799	801-899	71-99
PC-004200-00	AMP CHANNEL	901-UP	ISAME BOARD FOR CH-1, CH-2	

- NOTES:**
- ALL RESISTORS 1/4-WATT, 5% UNLESS NOTED.
 - ALL CAPACITORS 100V UNLESS NOTED.
 - TOLERANCE 20% FOR ELECTROLYTIC TYPES, 10% ON OTHER TYPES.
 - BRIDGE RECTIFIER B 901, 1.5A, 200V.
 - R 1007 IS POSITIVE TEMPERATURE COEFFICIENT RESISTOR MOUNTED TO HEAT SINK. RESISTANCE 100 OHM COLD, RISING AT 55 C.
 - Q 903-904, 917-918 ARE SWITCHING FETS.
 - 150 W, 100 V MINIMUM, ON-RESISTANCE 0.075 OHMS MAX.
 - ZENERS D 951, 955, 6.2V-500mW, TESTED FOR LOW LEAKAGE.
 - ZENERS D 952, 955, 6.2V-500mW, TESTED FOR LOW LEAKAGE.
 - PARTS MARKED WITH TRIANGLE MUST BE REPLACED WITH EXACT TYPE ONLY.
 - PARTS ENCLOSED WITHIN DOTTED OUTLINE HAVE VOLTAGES GREATER THAN 42V.

FEB 02 1993

UNLESS OTHERWISE SPECIFIED DIMENSIONS ARE IN INCHES TOLERANCES ARE:		CONTRACT NO.		APPROVALS		DATE	
FRACTIONS	DECIMALS	ANGLES					
XX	XX	XX					
MATERIAL			DRAWN	PHQ	3-20-91		
FRESH			CHECKED	PHQ	3-22-91		
DO NOT SCALE DRAWING			ISSUED				
			SIZE	PCB#	DRG#	REV	
			D		SH-002500-00	J	
			SCALE	0.875	SH-2500J1.FCD	SHEET	1 OF 1

JBL Professional Products
Northridge, California

SCHEMATIC AMPLIFIER CHANNEL, MPA - 750

SH-002500-00 J