

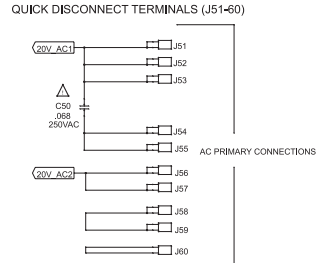
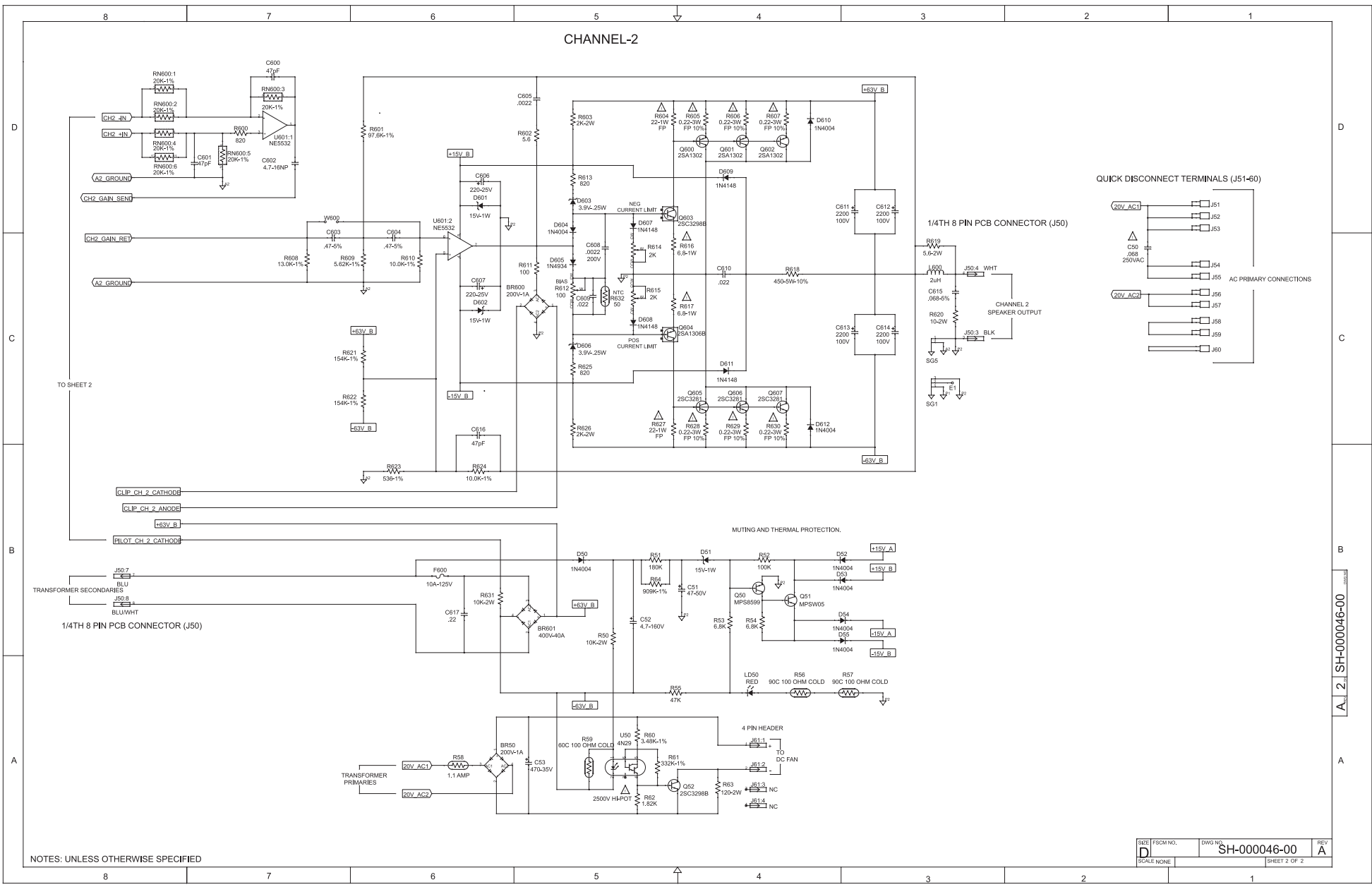
REVISION				
REV	DESCRIPTION	EFF. DATE	CHK	APPROVED DATE
1	PROTOTYPE RELEASE 5-1-96 AC			
2	PROTOTYPE RELEASE 5-15-96 AC			
A	PRODUCTION RELEASE PER ECO 3102 AC	6-21-96		

3. USE QSC REPLACEMENT TRANSISTORS ONLY.
2. ALL CAPACITORS IN uF, 100V UNLESS SHOWN.
1. ALL RESISTOR VALUES ARE IN OHM 5%, 1/4W, NOTES: UNLESS OTHERWISE SPECIFIED
5. ALL RESISTORS MARKED "FP" ARE FLAMEPROOF CONSTRUCTION AND MINIMUM OF 1/2W.
4. REPLACE PARTS MARKED AND FP WITH SAME TYPE ONLY FOR CONTINUED SAFETY.

SCHMATIC DIAGRAM
MPC200/200T MAIN PCB

A. 1 SH-000046-00

CHANNEL-2



NOTES: UNLESS OTHERWISE SPECIFIED

SIZE	FORM NO.	DWG NO.	REV
D		SH-000046-00	A
SCALE	NONE		SHEET 2 OF 2