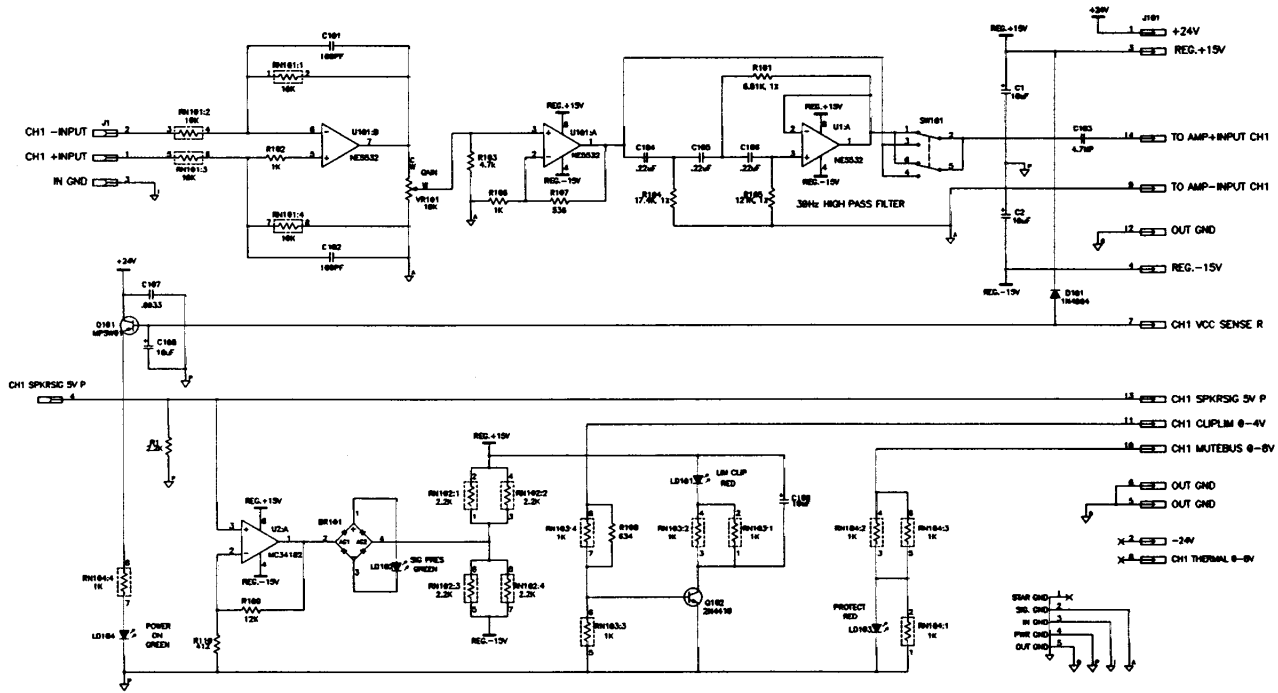
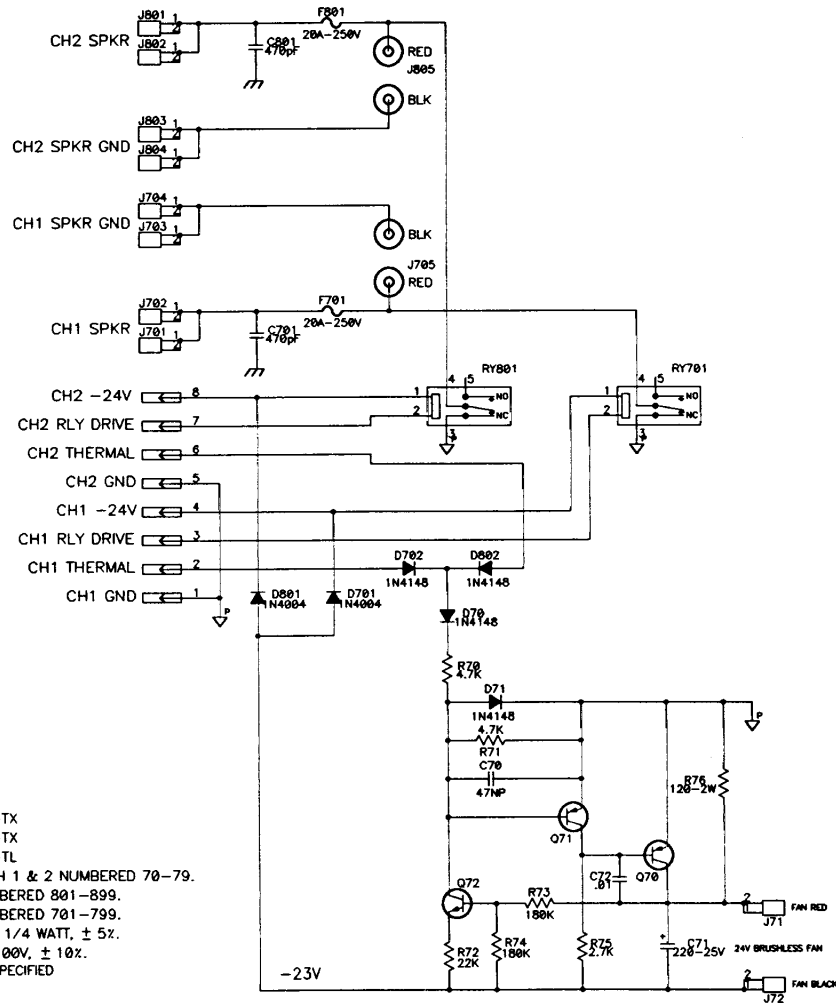


SCHEMATIC DIAGRAM,
DISPLAY BOARD, MPX1200



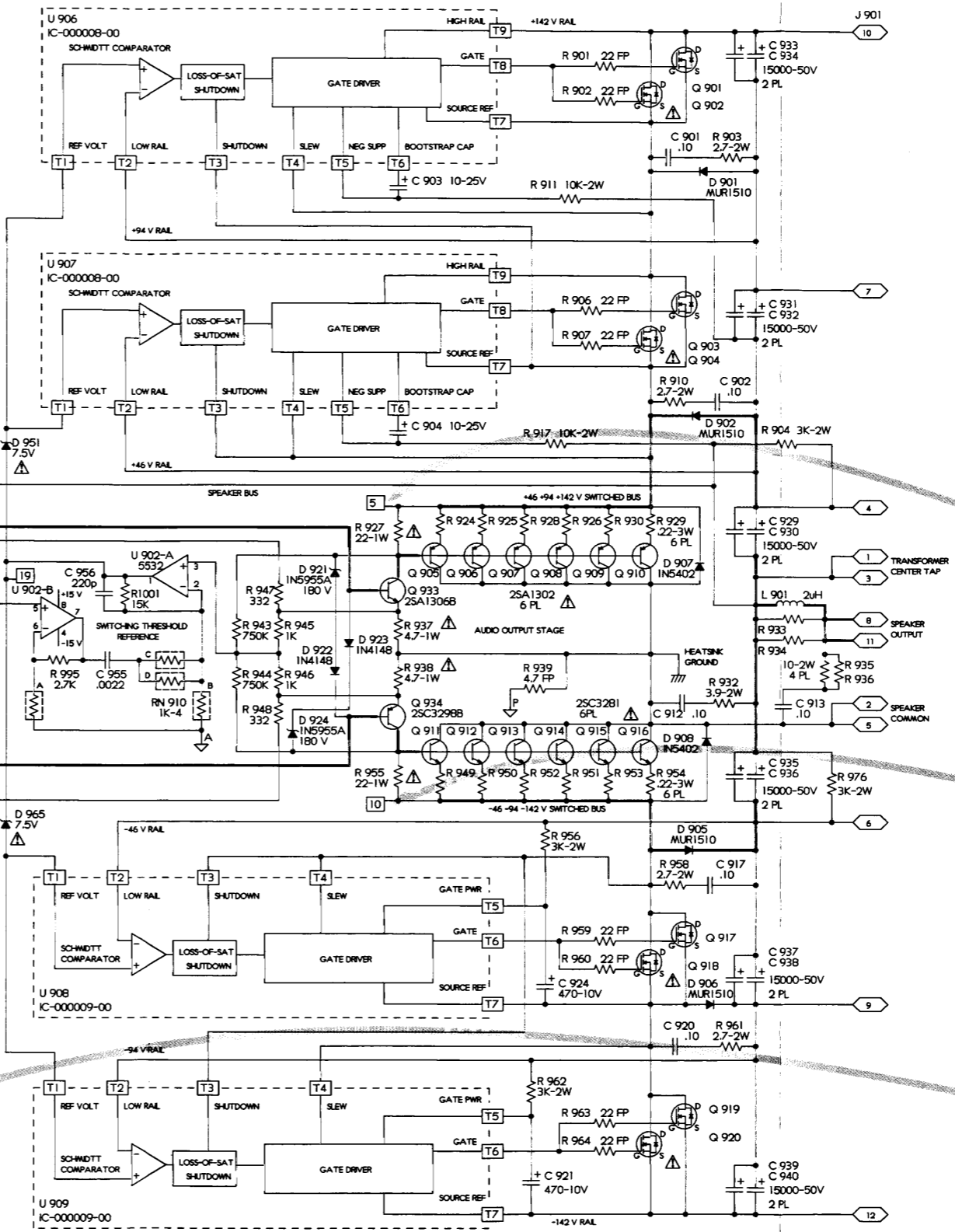
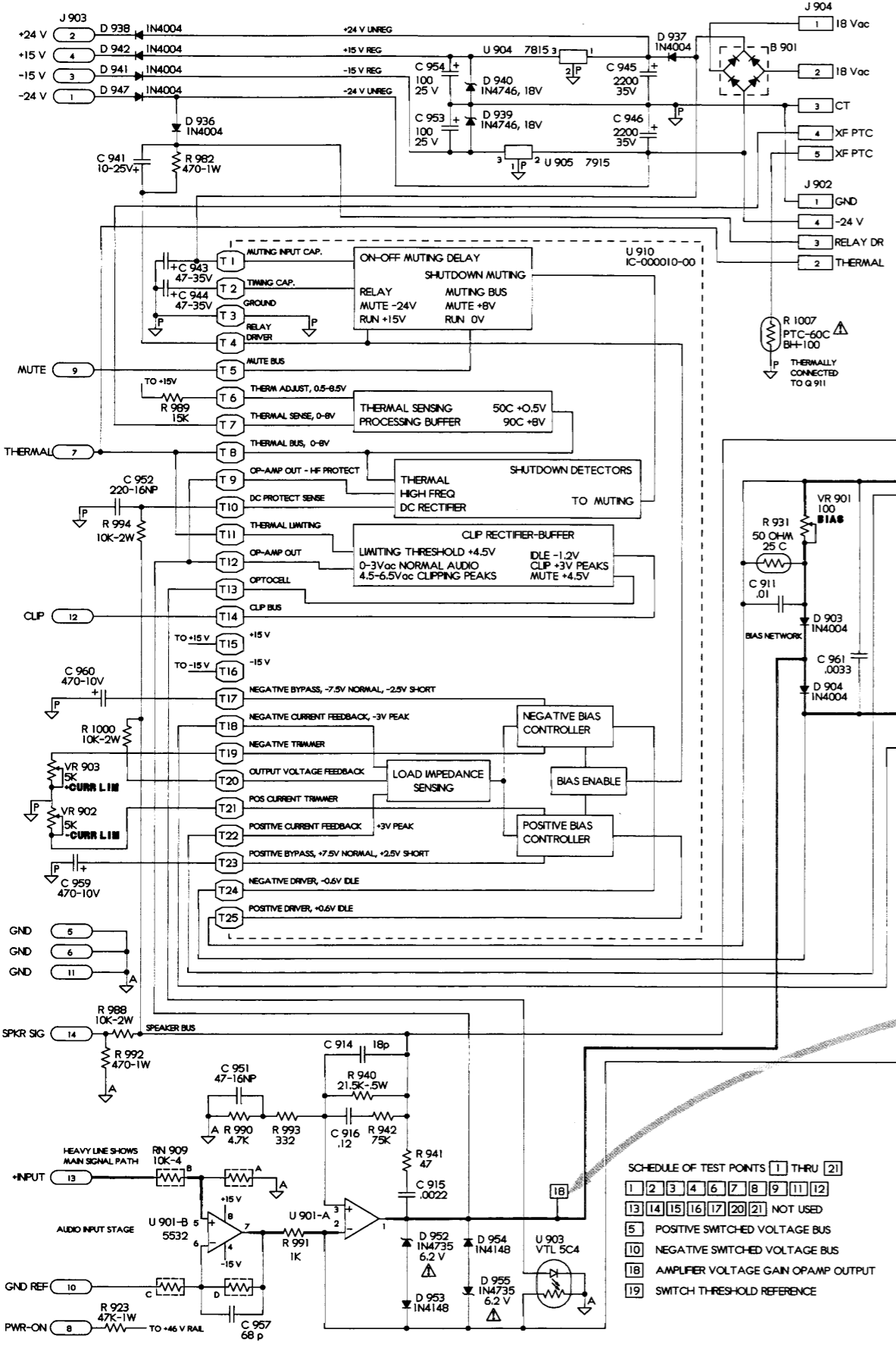
- 8. X— DENOTES NO CONNECTION.
- 7. LD182, 184, 282, 284, HIGH-EFFICIENCY GREEN LED.
- 6. LD181, 183, 281, 283, HIGH-EFFICIENCY RED LED.
- 5. PARTS IN COMMON TO BOTH CHANNELS NUMBERED 1—99.
- 4. CH 2 COMPONENTS NUMBERED 201—299.
- 3. CH 1 COMPONENTS NUMBERED 101—199.
- 2. ALL RESISTORS IN OHMS, 1/4 WATT, 5%.
- 1. ALL CAPACITORS IN μ F, 25V.

SCHMATIC DIAGRAM,
OUTPUT, MPX 1200



- 8. Q72, PART QD-004410-TX
 - 7. Q71, PART QD-008599-TX
 - 6. Q70, PART QD-002763-TL
 - 5. PARTS IN COMMON TO CH 1 & 2 NUMBERED 70-79.
 - 4. CH 2 COMPONENTS NUMBERED 801-899.
 - 3. CH 1 COMPONENTS NUMBERED 701-799.
 - 2. ALL RESISTORS IN OHMS 1/4 WATT, ± 5%.
 - 1. ALL CAPACITORS IN uF, 100V, ± 10%.
- NOTES: UNLESS OTHERWISE SPECIFIED

SCHEMATIC DIAGRAM, MPX1200
MAIN AMPLIFIER PCB



SCHEDULE OF TEST POINTS [1] THRU [21]

[1]	[2]	[3]	[4]	[6]	[7]	[8]	[9]	[11]	[12]	
[13]	[14]	[15]	[16]	[17]	[20]	[21]	NOT USED			
[5]	POSITIVE SWITCHED VOLTAGE BUS									
[10]	NEGATIVE SWITCHED VOLTAGE BUS									
[18]	AMPLIFIER VOLTAGE GAIN OPAMP OUTPUT									
[19]	SWITCH THRESHOLD REFERENCE									

- NOTES:
- ALL RESISTORS 1/4-WATT, 5% UNLESS NOTED.
 - ALL CAPACITORS 100V UNLESS NOTED.
 - TOLERANCE 20% FOR ELECTROLYTIC TYPES, 10% ON OTHER TYPES.
 - UNMARKED PNP TRANSISTORS, MPS 8599 OR EQUIV 60V TO-92.
 - UNMARKED NPN TRANSISTORS, MPS 4410 OR EQUIV 60 V TO-92.
 - BRIDGE RECTIFIERS B 901, 902 1.5A, 100V.
 - LED LD 901-913, MARKED 'UTL' ARE STANDARD RED, 1.6 V FORWARD DROP.
 - TRANSISTORS MARKED A42 ARE NPN, 200V MIN, TO-92, JBL P/N QD-000016-QD.
 - TRANSISTORS MARKED A92 ARE PNP, 200V MIN, TO-92, JBL P/N QD-000017-QD.
 - R 1007 IS POSITIVE TEMPERATURE COEFFICIENT RESISTOR MOUNTED TO HEAT SINK. RESISTANCE 100 OHM COLD, RISING AT 55 C. JBL P/N RE-000060-PT.
 - Q 901-904, 917-920 ARE SWITCHING FETS. JBL P/N QD-000031-QD. 125 W, 70 V MINIMUM, ON-RESISTANCE 0.035 OHMS MAX.
 - ZENERS D 951, 965 MARKED 7.5 V TESTED FOR LOW LEAKAGE, JBL P/N QD-0007.5-ZT.
 - ZENERS D 950, 953, 955, 6.2V-500mW, TESTED FOR LOW LEAKAGE, JBL P/N QD-000024-QD.
 - PARTS MARKED WITH TRIANGLE (▲) MUST BE REPLACED WITH EXACT TYPE ONLY.
 - PARTS ENCLOSED WITHIN DOTTED OUTLINE HAVE VOLTAGES GREATER THAN 42V.

