

Thru Output Filters removed

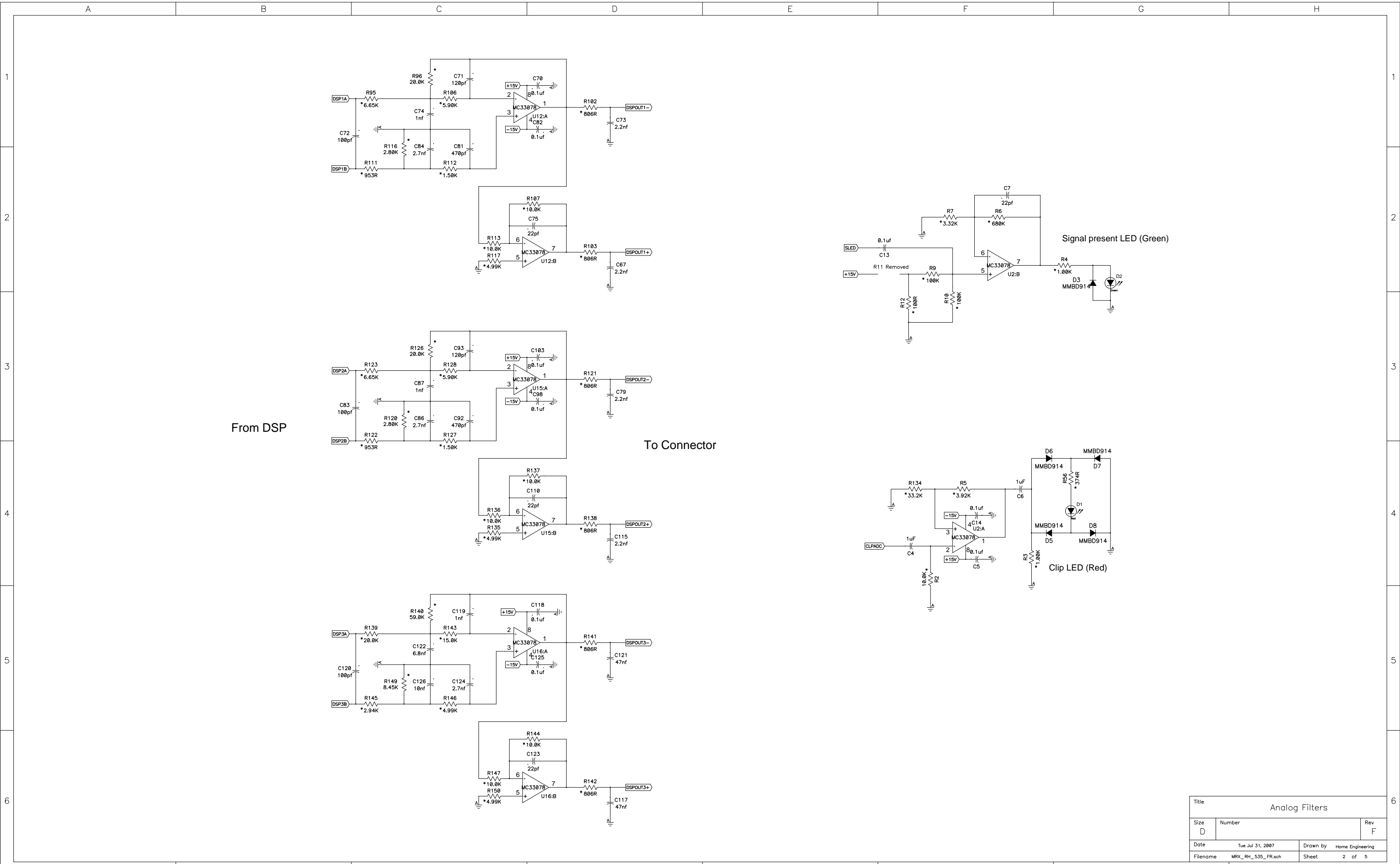
Second Input Removed

Output matrix ferrites configured for PRX_535 model

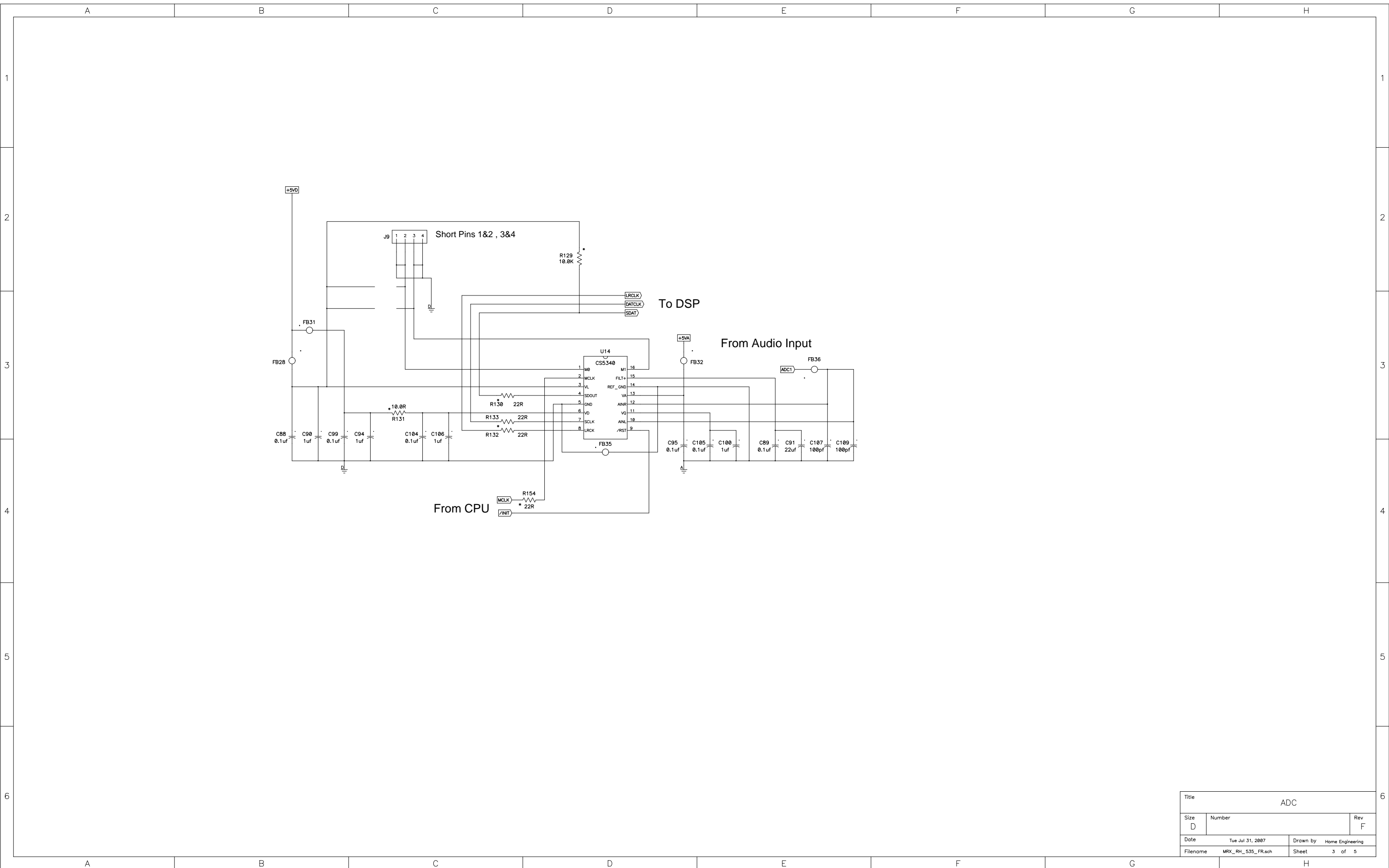
Thru Filter relay removed

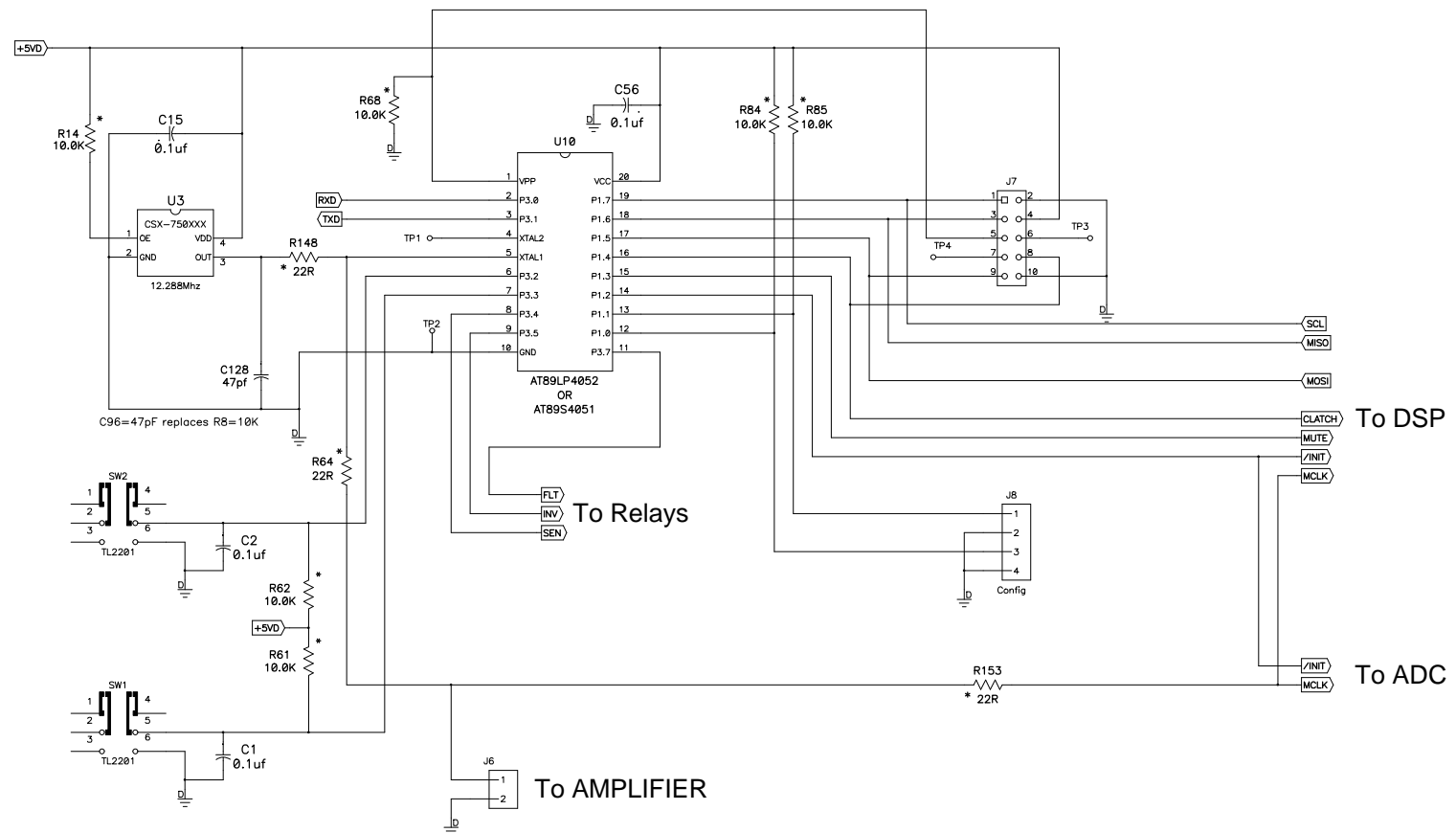
Invert relay removed

Analog Input/Output		
Size	Number	Rev
D		F
Date	Tue Jul 31, 2007	Drawn by Home Engineering
Filename	MRX_RH_535_FR.sch	Sheet 1 of 5



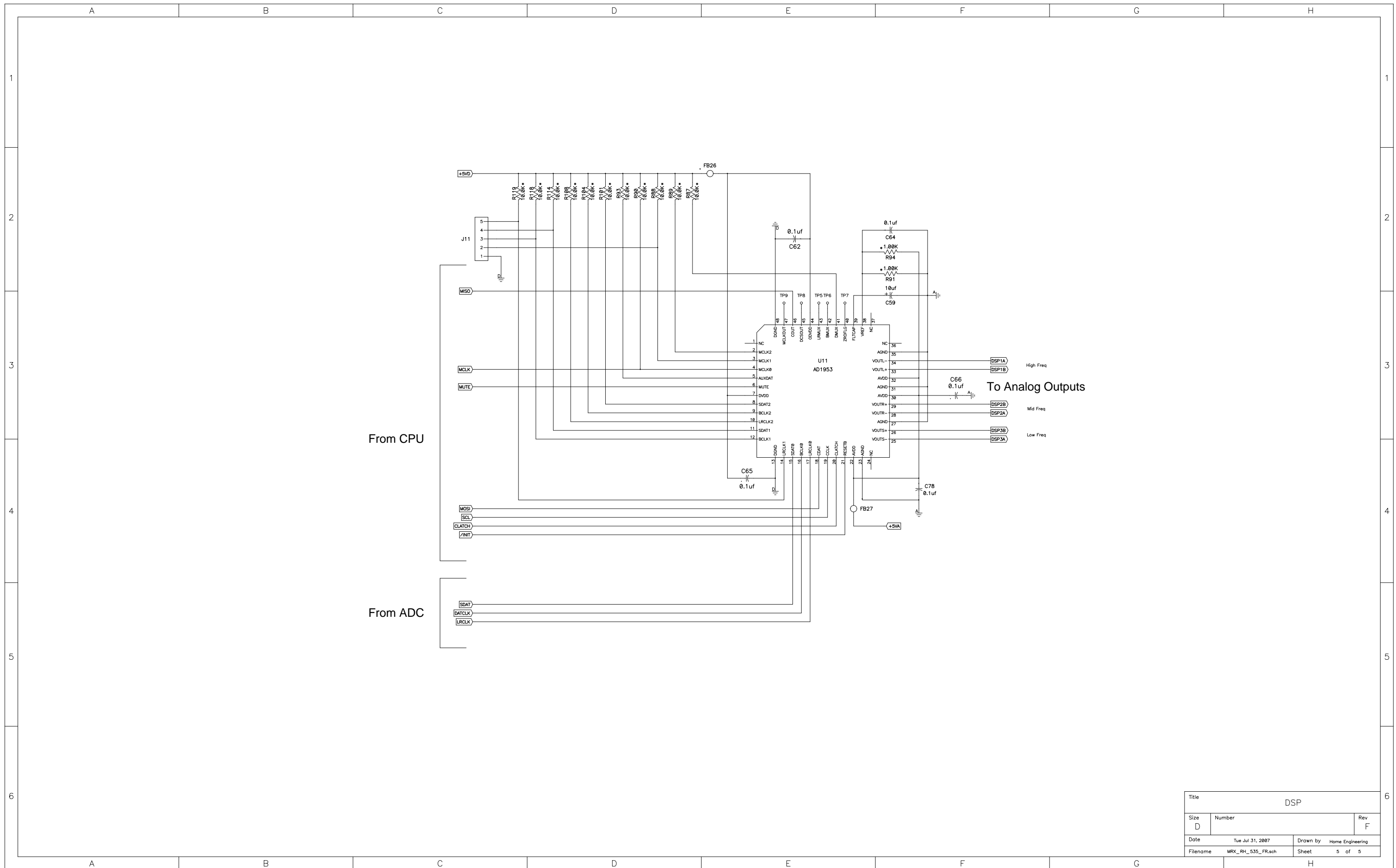
Title			Analog Filters		
Size	Number			Rev	F
D					
Date	Tue Jul 31, 2007	Drawn by	Home Engineering		
Filename	MRX_RH_535_FR.sch	Sheet	2 of 5		





RS232 Buffer and surrounding circuit removed

Title			CPU		
Size	Number				Rev
D					F
Date	Tue Jul 31, 2007	Drawn by	Home Engineering		
Filename	MRX_RH_535_FR.sch	Sheet	4 of 5		



Title			DSP		
Size	Number				Rev
D					F
Date	Tue Jul 31, 2007	Drawn by	Home Engineering		
Filename	MRX_RH_535_FR.sch	Sheet	5 of 5		