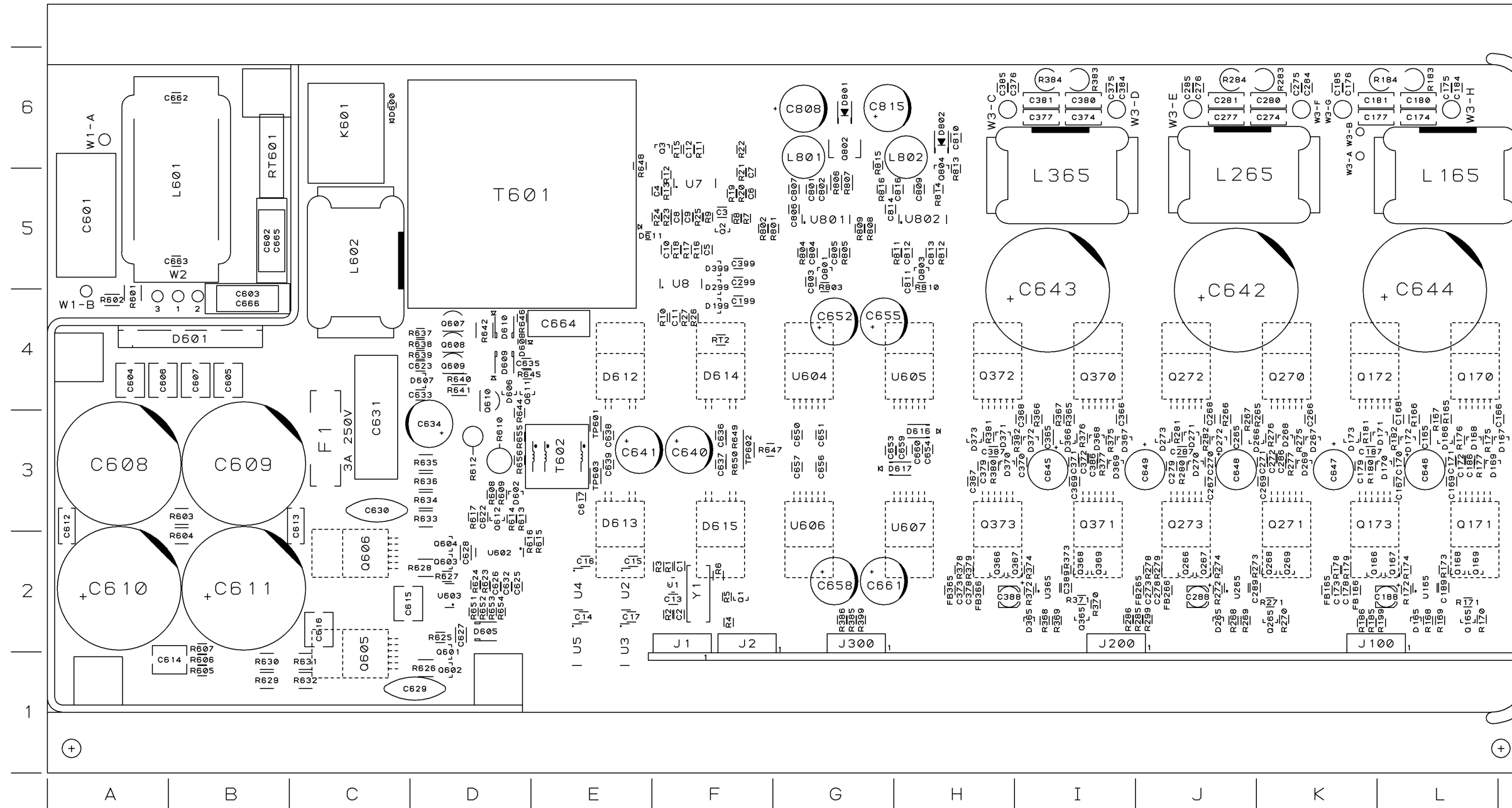


COMPONENT MAP TOP SIDE

REVISION HISTORY

E. C. N.	ZONE	REV	DESCRIPTION	DATE	APPROVED		
					DWN	CM	PE
		2	INITIAL RELEASE FOR PRODUCTION.	12-06-05	KLW		EB
		3	SEE 138977-1_3.XLS FOR COMPONENT DATA AND REVISION HISTORY.	12-30-05	KLW		EB
		4	SEE 138977-1_4.XLS FOR COMPONENT DATA AND REVISION HISTORY.	03-17-06	KLW		EB

7



ALL TO220
PACKAGES
ARE MOUNTED
TO THE BOTTOM
OF THE BOARD

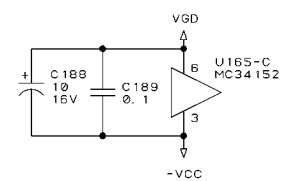
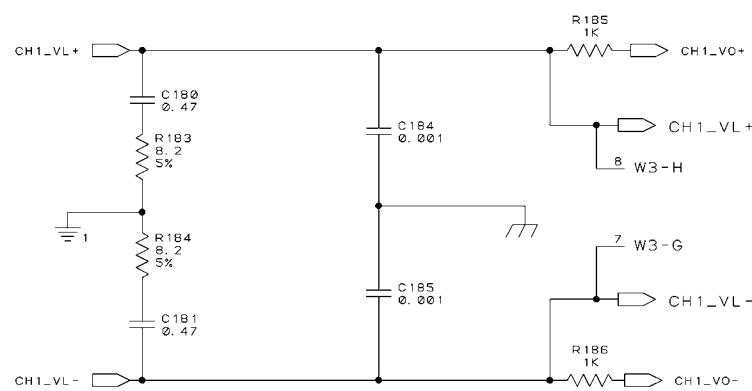
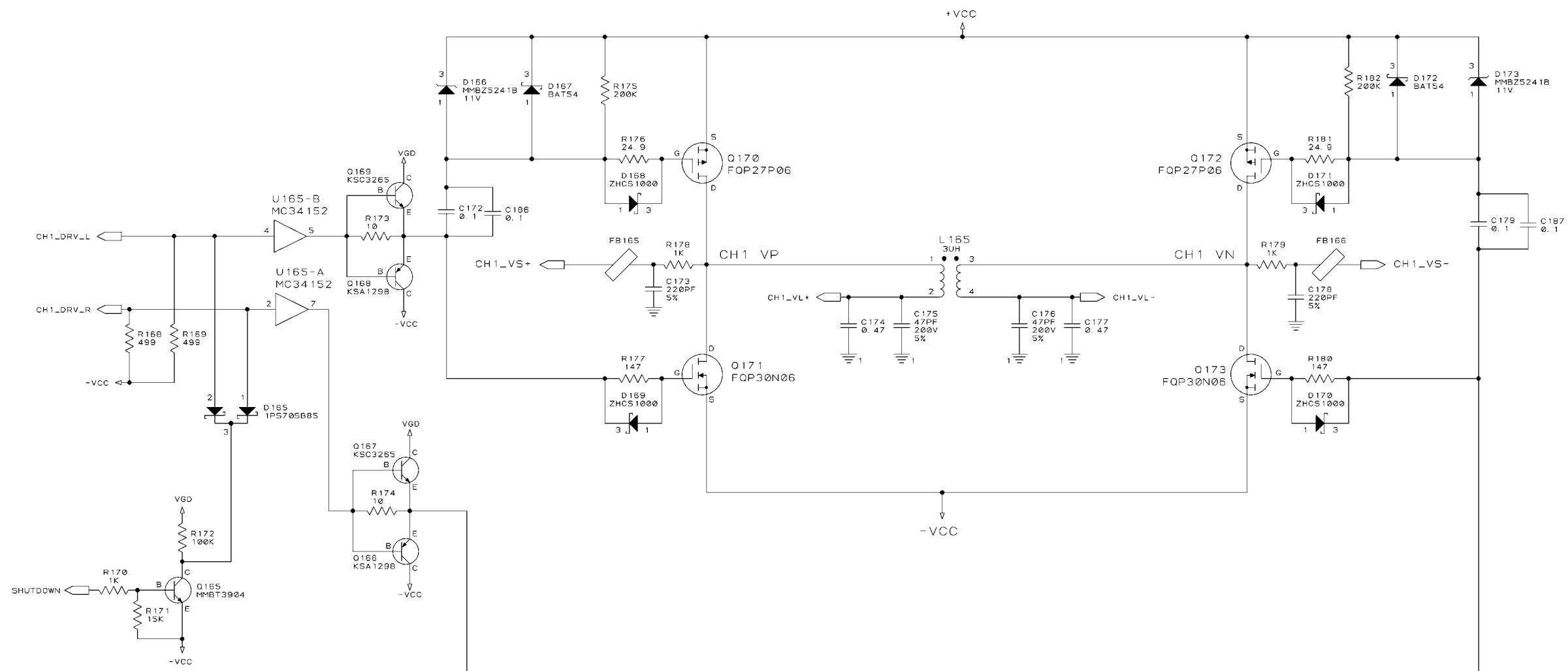
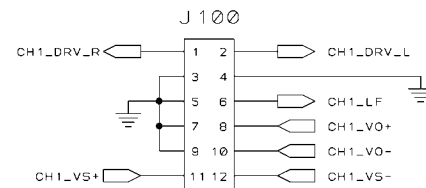
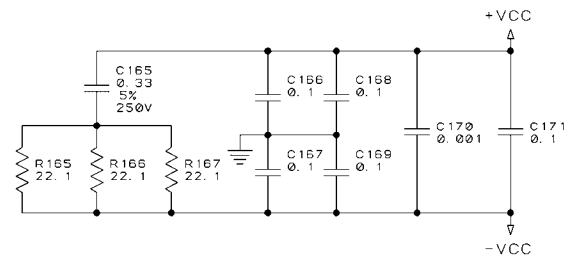
UNCONTROLLED

UNLESS OTHERWISE MARKED IN RED INK BY CM AS A CONTROLLED COPY, COPIES OF THESE DOCUMENTS INCLUDING ASSOCIATED ELECTRONIC REPRODUCTIONS ARE FOR REFERENCE ONLY.

THESE DRAWINGS AND SPECIFICATIONS ARE THE PROPERTY OF CROWN INTERNATIONAL, INC. AND SHALL NOT BE REPRODUCED, COPIED, OR USED AS THE BASIS FOR THE MANUFACTURE OR SALE OF APPARATUS OR DEVICES WITHOUT PERMISSION.

DISTRIBUTION	DWN	KLW	12-06-05	Crown INTERNATIONAL, INC.	1718 W. MISHAWAKA RD. ELKHART IN, 46517 PHONE 574-294-8000 WWW.CROWNAUDIO.COM
FILENAME	CM	EB	12-06-05		TITLE
TOLERANCE UNLESS OTHERWISE SPECIFIED	PE			SIZE	DWG NO.
.00 = ±.02" .000 = ±.010" DRILLS = ±.003"				B	138977-1
DO NOT SCALE DRAWING				SCALE	PROJ NO. MAMPJ00
					SHEET 1 OF 6
					REV 4

POWER SUPPLY FILTERING



CH1 OUTPUT

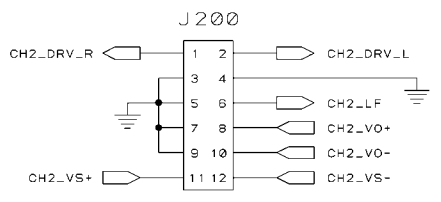
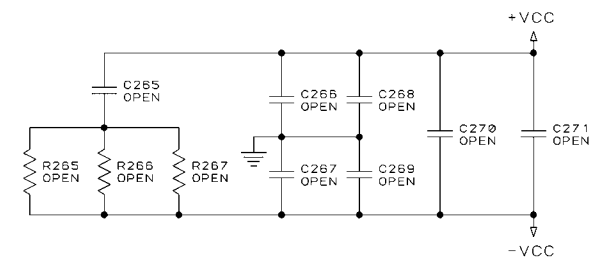
UNCONTROLLED UNLESS OTHERWISE MARKED IN RED INK BY CM AS A CONTROLLED COPY, COPIES OF THESE DOCUMENTS INCLUDING ASSOCIATED ELECTRONIC REPRODUCTIONS ARE FOR REFERENCE ONLY.		THESE DRAWINGS AND SPECIFICATIONS ARE THE PROPERTY OF CROWN INTERNATIONAL, INC. AND SHALL NOT BE REPRODUCED, COPIED, OR USED AS THE BASIS FOR THE MANUFACTURE OR SALE OF APPARATUS OR DEVICES WITHOUT PERMISSION.		SIZE C	DWG NO. 138977-1	REV 4
SCALE NONE	PROJ NO. MRX500P	SHEET 2 OF 6				

4

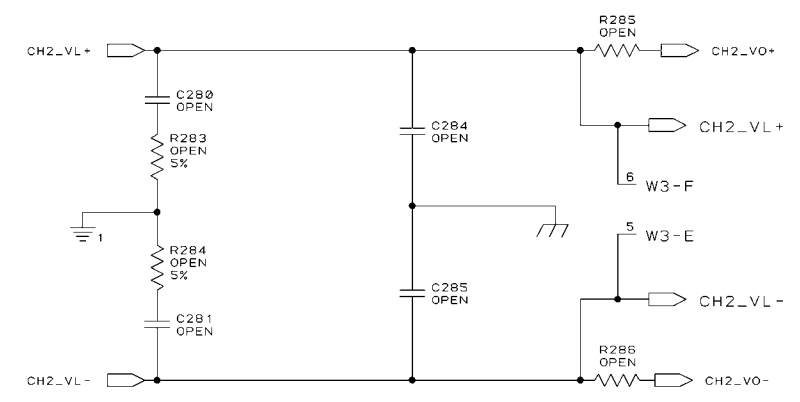
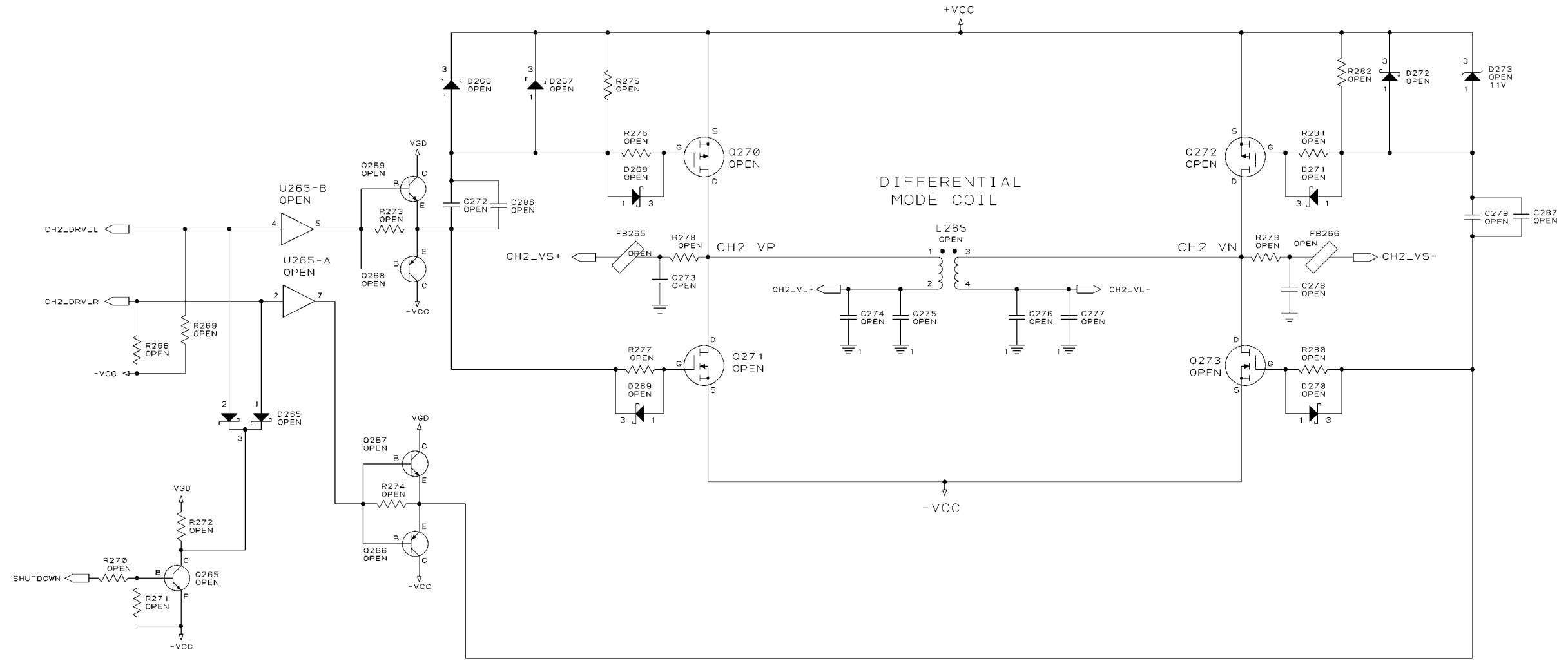
3

2

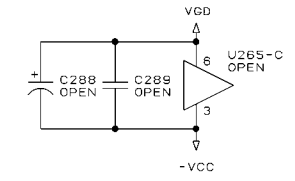
POWER SUPPLY FILTERING



DIFFERENTIAL MODE COIL



CH2 OUTPUT



UNCONTROLLED UNLESS OTHERWISE MARKED IN RED INK BY CM AS A CONTROLLED COPY. COPIES OF THESE DOCUMENTS INCLUDING ASSOCIATED ELECTRONIC REPRODUCTIONS ARE FOR REFERENCE ONLY.		THESE DRAWINGS AND SPECIFICATIONS ARE THE PROPERTY OF CROWN INTERNATIONAL, INC. AND SHALL NOT BE REPRODUCED, COPIED, OR USED AS THE BASIS FOR THE MANUFACTURE OR SALE OF APPARATUS OR DEVICES WITHOUT PERMISSION.		SIZE C	DWG NO. 138977-1	REV 4
SCALE NONE	PROJ NO. MRX500P	SHEET 3 OF 6				

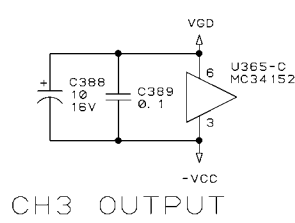
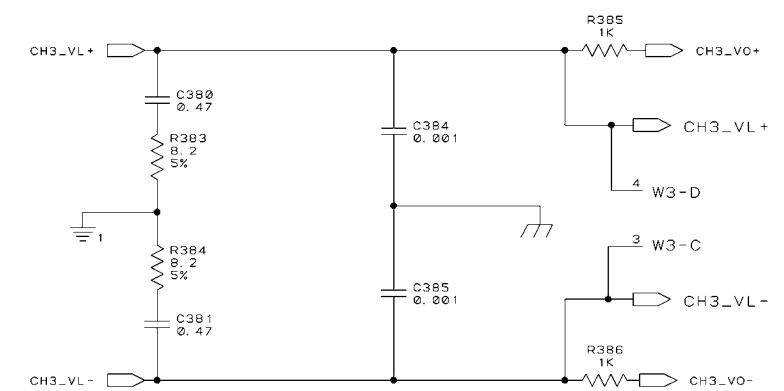
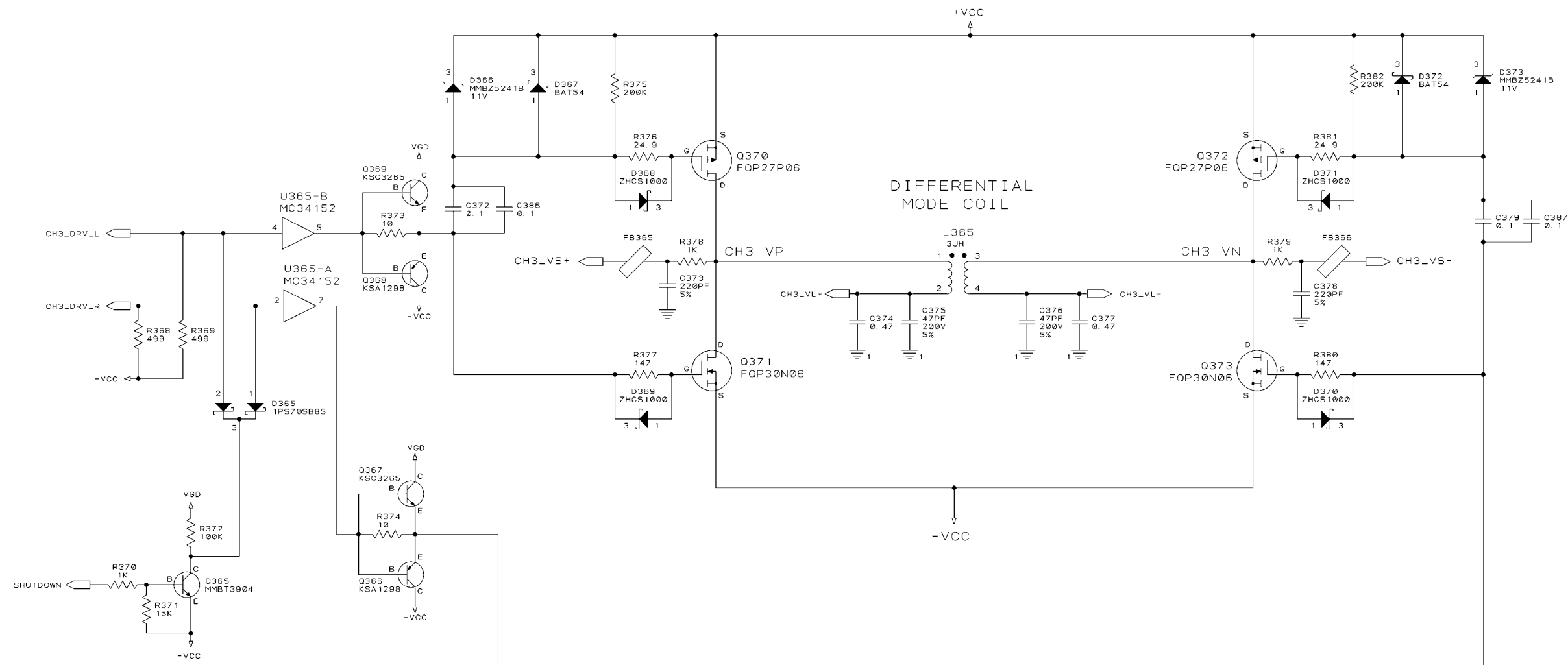
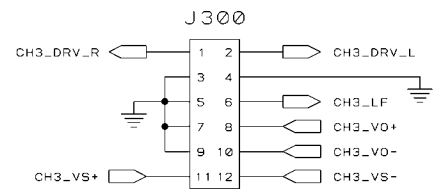
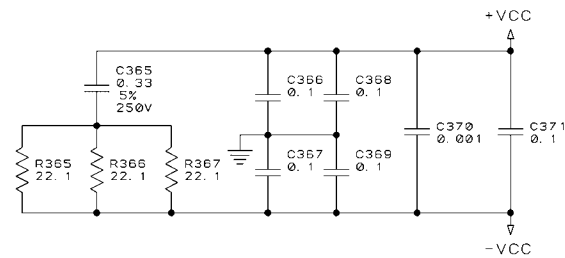
4

3

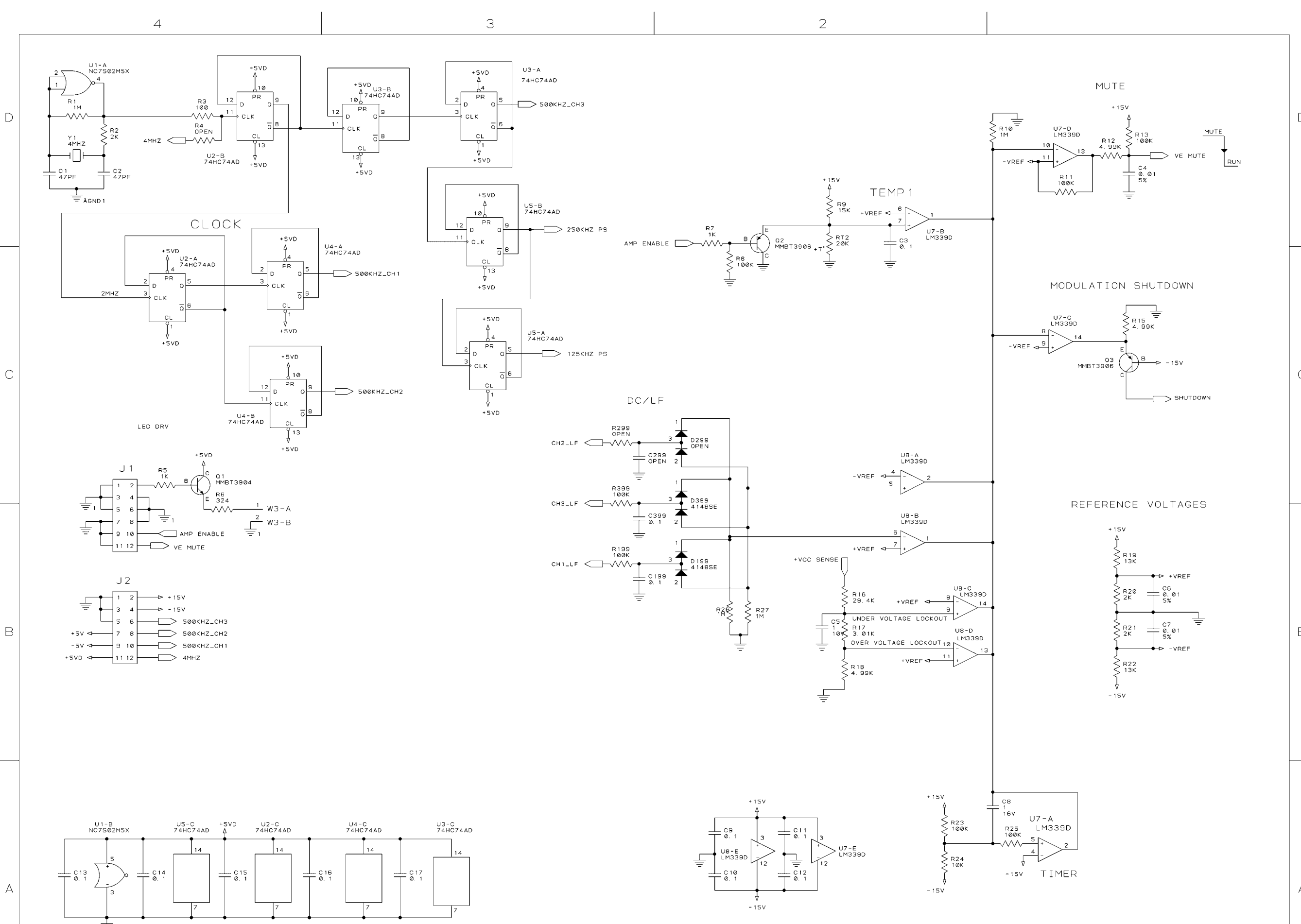
2

1

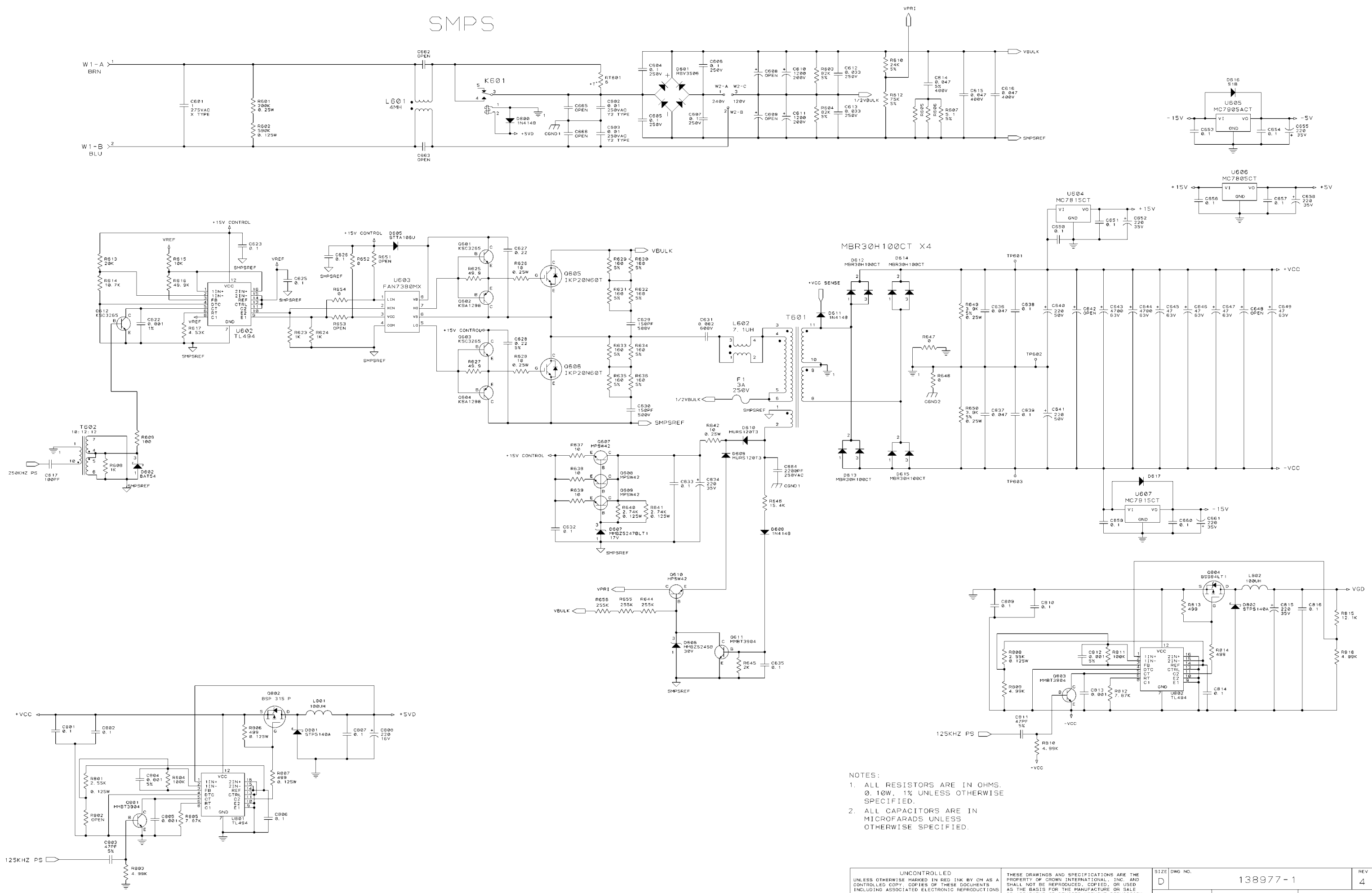
POWER SUPPLY FILTERING



UNCONTROLLED UNLESS OTHERWISE MARKED IN RED INK BY CM AS A CONTROLLED COPY, COPIES OF THESE DOCUMENTS INCLUDING ASSOCIATED ELECTRONIC REPRODUCTIONS ARE FOR REFERENCE ONLY.		THESE DRAWINGS AND SPECIFICATIONS ARE THE PROPERTY OF CROWN INTERNATIONAL, INC. AND SHALL NOT BE REPRODUCED, COPIED, OR USED AS THE BASIS FOR THE MANUFACTURE OR SALE OF APPARATUS OR DEVICES WITHOUT PERMISSION.		SIZE C	DWG NO. 138977-1	REV 4
SCALE NONE		PROJ NO. MRX500P		SHEET 4 OF 6		



SMPS



- NOTES:
1. ALL RESISTORS ARE IN OHMS. 0.10W, 1% UNLESS OTHERWISE SPECIFIED.
 2. ALL CAPACITORS ARE IN MICROFARADS UNLESS OTHERWISE SPECIFIED.