

Technical Manual

JBL TR126



SPECIFICATIONS

ACOUSTIC & ELECTRICAL SPECIFICATIONS:

- Nominal Impedance: 8 ohm
- Power Capacity: Continuous Pink Noise: 225W
Peak Pink Noise: 900W
- Frequency Range: 50 Hz to 16 kHz (-10dB)
- Sensitivity: 100 dB SPL*
- Crossover Frequency: 2.2 kHz

SYSTEM COMPONENTS:

- Cabinet: CTR126
- Grille: GTR126 (330714-001)
- Low Frequency Transducer: 380mm (15 in.) Cone Transducer (124-67001-00X)
- DC Resistance: 5.1 ohm
- High Frequency Transducer: 25.4mm (1 in.) Pure Titanium Compression Driver 2412H (125-10000-00X)

SYSTEM COMPONENTS: (cont'd)

- DC Resistance: 3.7 ohm
- Crossover Network: (330824-001)

AURAL SWEEP TEST SPECIFICATIONS:

- A. System Aural Sweep Test: 7.0V Input, 20 Hz to 20 kHz
- B. L.F. Aural Sweep Test: 7.0V Input, 20 Hz to 1.2 kHz
- C. H.F. Aural Sweep Test: 2.83V Input, 550 Hz to 20 kHz

PHYSICAL SPECIFICATIONS:

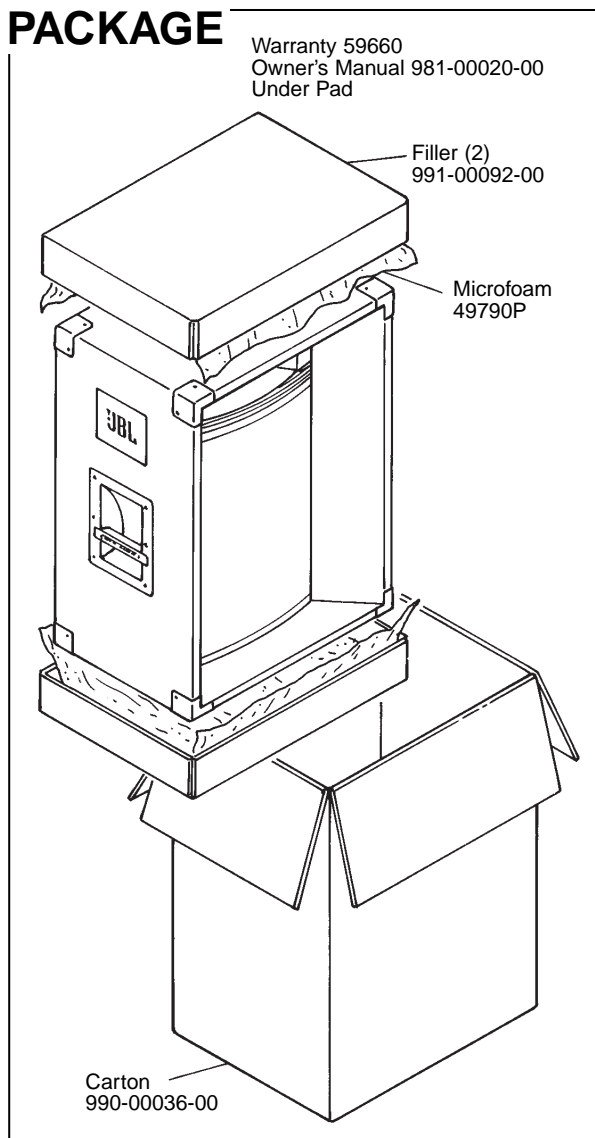
- Enclosure Dimensions: 880mm x 680mm x 465mm D (34.5 26.75 x 18.25 in. D)
- Shipping Weight: 104 lbs. (47.2 kg.)

WARRANTY INFORMATION:

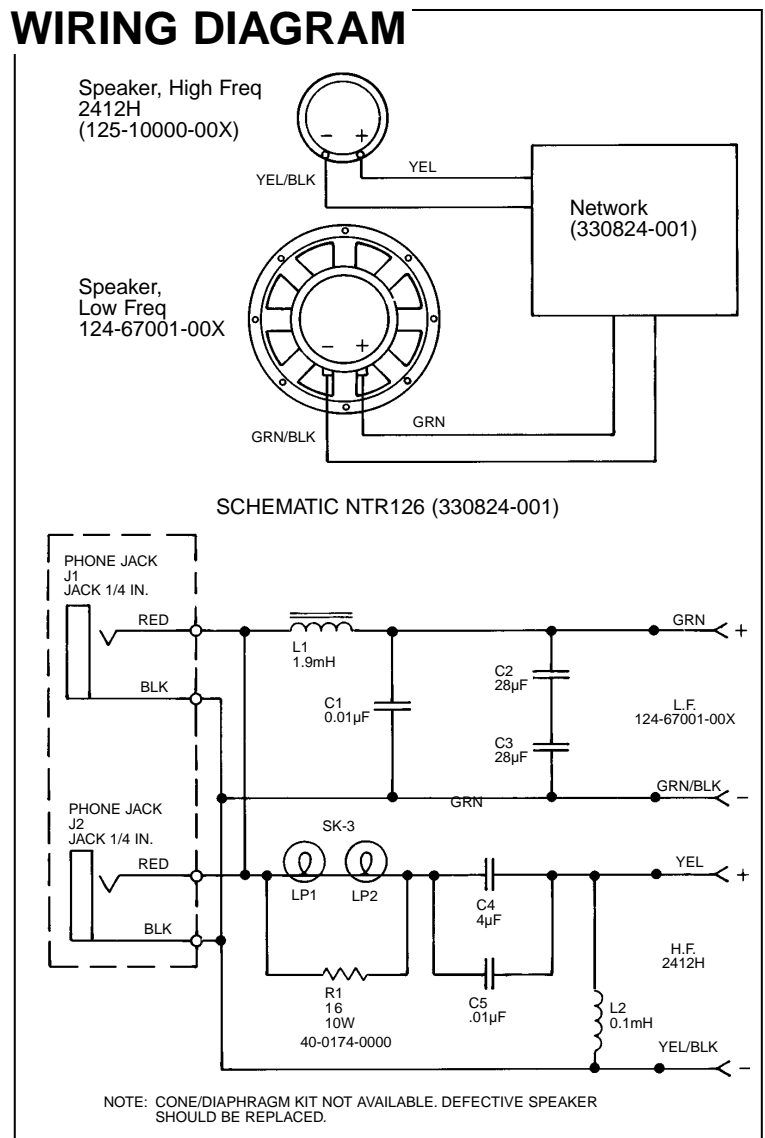
- Refer to Warranty Statement packed with each product.

*1 Watt (2.83 V RMS) @ 1 Meter

PACKAGE



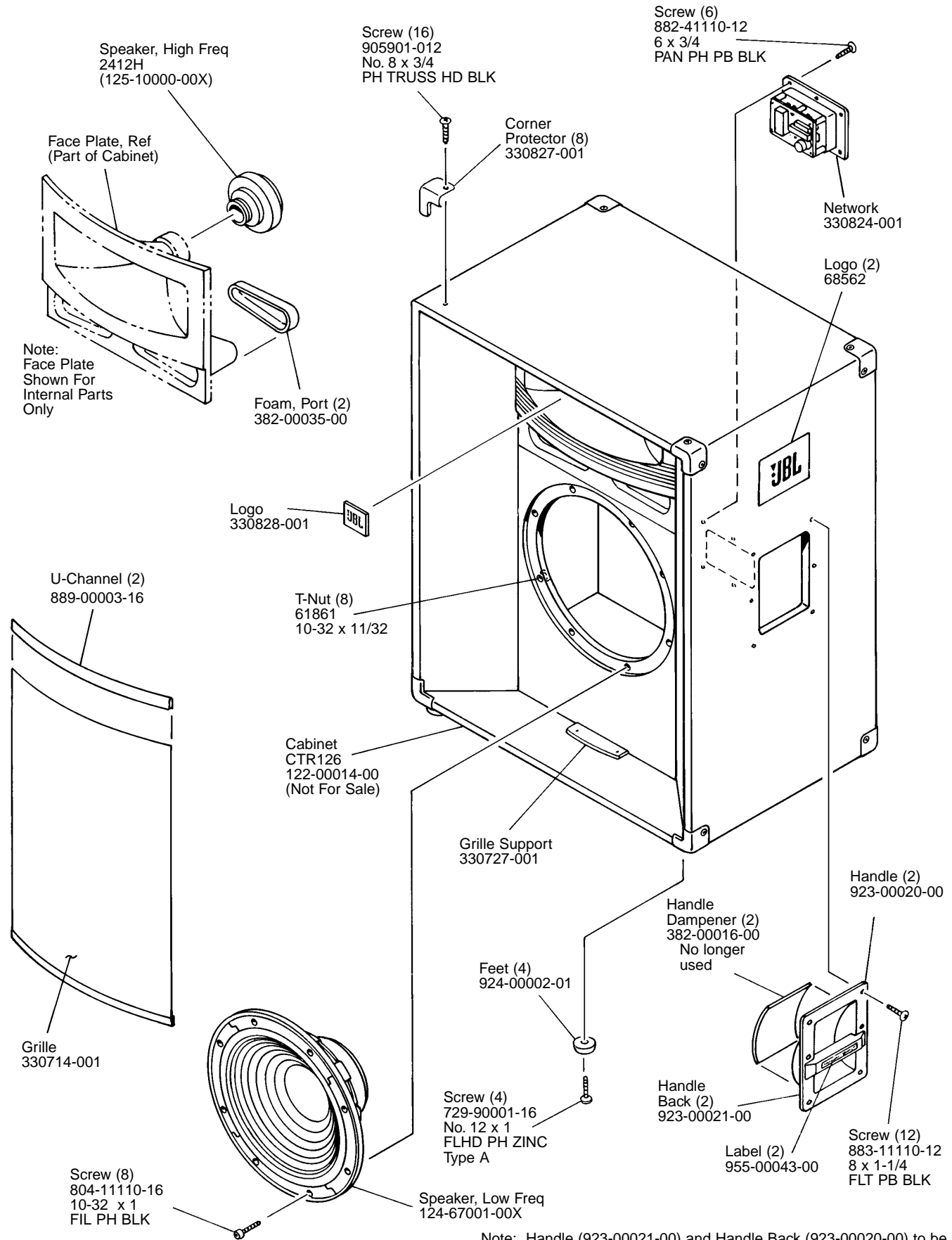
WIRING DIAGRAM



JBL TR126 REV I

JBL TR126

COMPONENT EXPLODED VIEW



Note: Handle (923-00021-00) and Handle Back (923-00020-00) to be affixed together with cyanoacrylate adhesive.