

Technical Manual



JBL PRX735/230

SPECIFICATIONS

ACOUSTIC & ELECTRICAL SPECIFICATIONS:

- Frequency Response (± 3 dB):
 - Normal: 42 Hz – 20 kHz
 - Boost: 39 Hz – 20 kHz
- Frequency Range (-10 dB):
 - Normal: 35 Hz – 20 kHz
 - Boost: 34 Hz – 20 kHz
- Maximum SPL Output: 138 dB Peak
- Input Impedance: 20K Ohms (balanced), 10K Ohms (unbalanced)
- Crossover Frequency: 480 Hz, 2.0 kHz

SYSTEM COMPONENTS:

- Cabinet: Enclosure (Not For Sale)
- Grille: 5030694
- Low Frequency Driver: 275G x 1, 15 (380mm) inch woofer
- D.C.Resistance: 2.5 ohm +/- 10%
- Mid Frequency Driver: 196H x 1, 6.5 inch (165mm) Mid
- D.C.Resistance: 5.1 ohm +/- 10%

SYSTEM COMPONENTS: (CONT'D)

- High Frequency Driver: 2408H-2, 37.5 mm (1.5 in) annular polymer diaphragm, neodymium compression driver
- D.C.Resistance: 4.80 ohm +/- 0.2 ohm

AURAL SWEEP TEST SPECIFICATIONS:

- A. System.Aural Sweep Test: 0.15V Input, 50 Hz Ito 20 kHz Knob Fully CW.Line In and Main
- B. L.F.Aural Sweep Test: 7.0V Input, 10 Hz to 300 Hz
- C. M.F.Aural Sweep Test: 4.0V Input, 400 Hz to 4kHz
- D. H.F.Aural Sweep Test: 0.75V Input, 200 Hz to 1.5 kHz

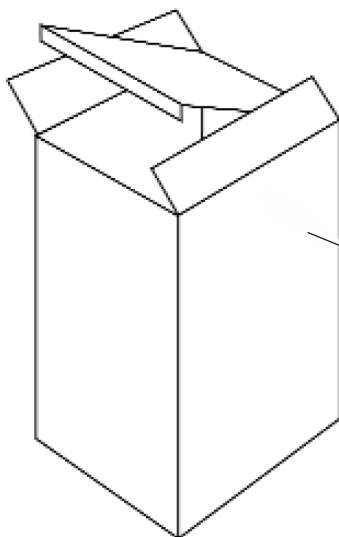
PHYSICAL SPECIFICATIONS:

- Enclosure Dimensions: 952.5mm x 445mm x 538mm D (H x W x D): (42.14 in x 17.52 in x 21.18 inD)
- Net Weight: 77 lb (34.9 kg)

WARRANTY INFORMATION:

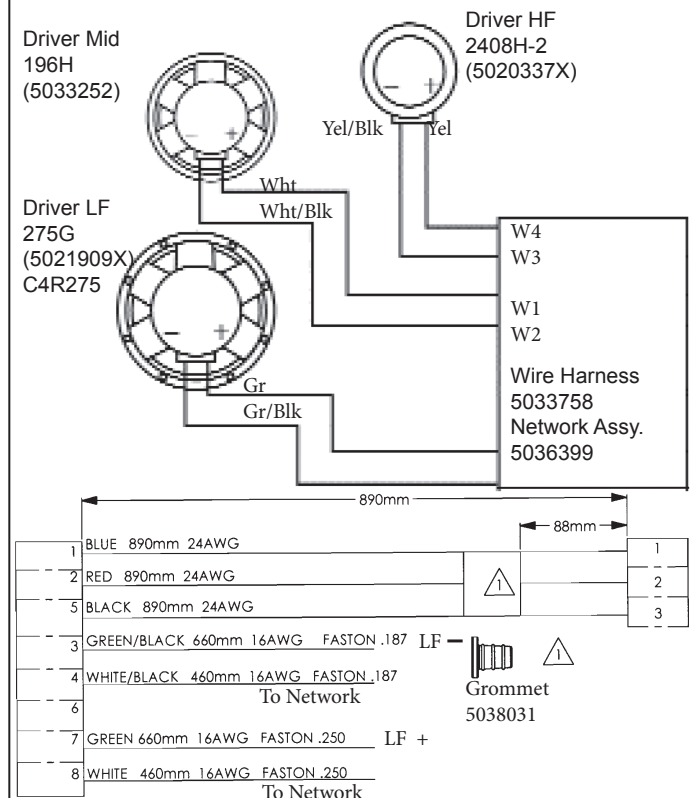
- Refer to Warranty Statement packed with each product.

PACKAGE



- Warranty Card 59660
- Users Guide 50321532
- Carton 5032347
- Filler 5032314 (2)
- PKG, Microfoam (6) 49790P
- Cord, AC, Line 425-00000-00 (120V) 425-00000-01 (230V)

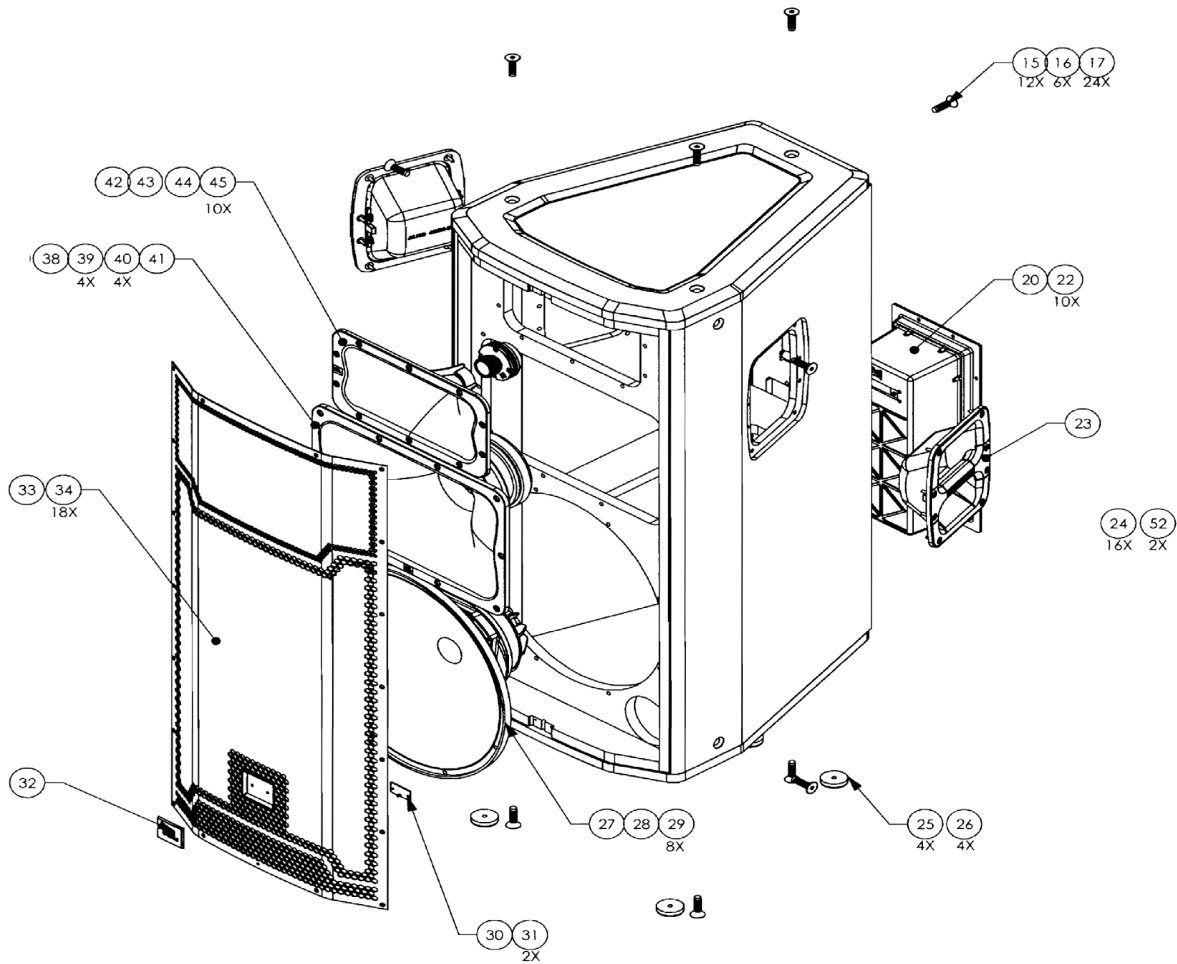
WIRING DIAGRAM



JBL PRX735/230 REV D

JBL PRX735/230

COMPONENT EXPLODED VIEW



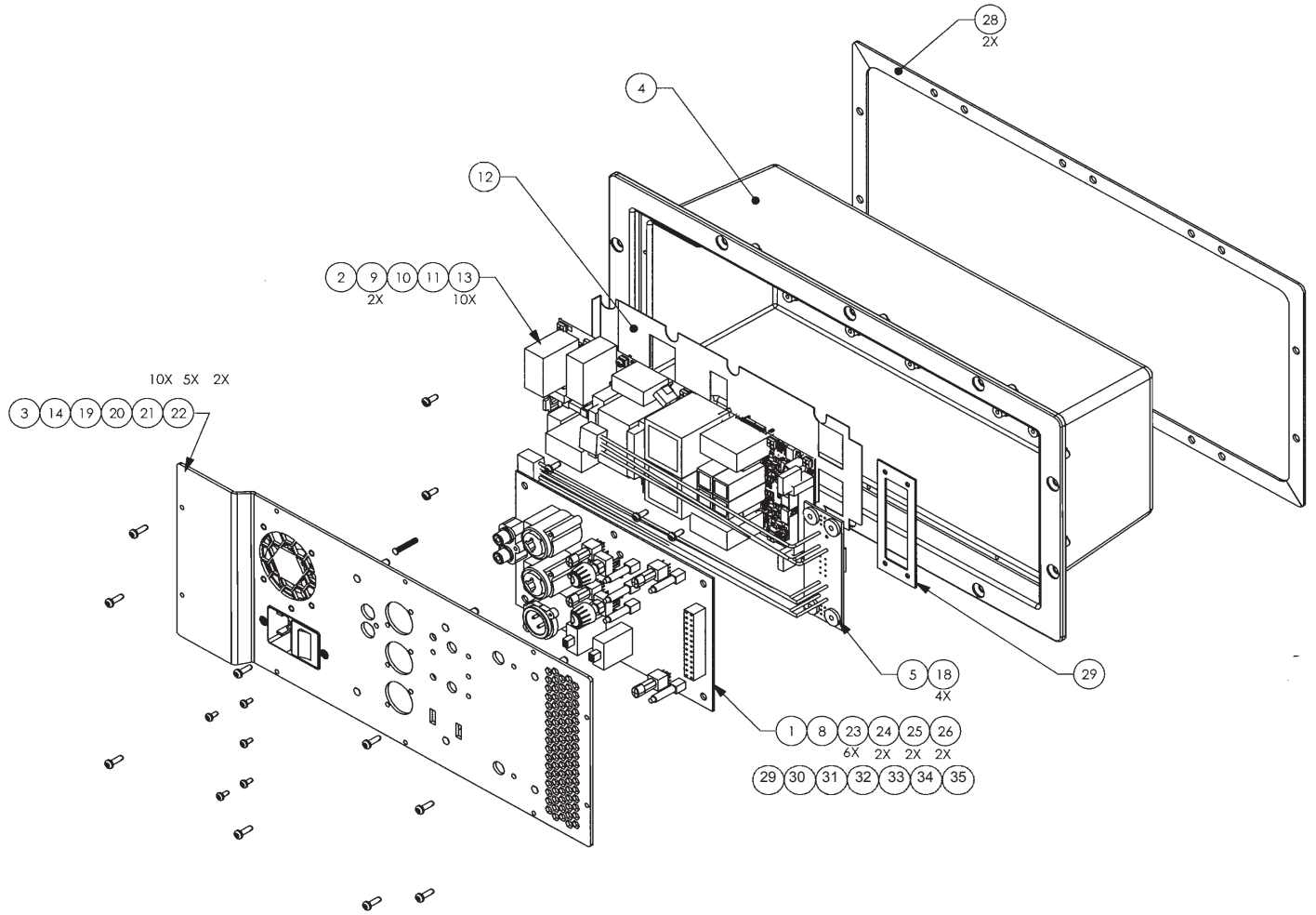
COMPONENT PARTS LIST:

Item	Part No.	Qty	Description
15	818-13714-35	12	SCR,M10 X 35MM,FLAT,HEX,BLK ZNC,ALLOY
17	883-41110-08	12	SCR,8 X 1/2,PAN,PH,PB,BLK ZINC,LCS
20	5032336	1	AMP ASSY, PRX735
22	804-11110-12	10	SCR, 10-32 X 3/4",FLT,PH,BLK ZINC,LCS
23	5032124	2	HANDLE ASSY, PRX700
24	446376-001	16	SCREW, #8-32, HANDLE
25	353445-001	4	FOOT
26	884-41110-12	4	SCR,10 X 3/4,PAN,PH,PB,BLK ZINC,LCS
27	5021909X	1	M/I 275G
28	360-70002-01	1	GASKET, REAR 15"
29/30	804-01110-16	12	SCR,10-32 X 1,FIL,PH,BLK
30	5030688	1	LED PCB, PRX700
31	882-41110-12	6	SCR,6X3/4",PAN,PH,PB,BLK
32	5018271	1	Large Plastic Logo
33	5030694	1	GRILLE ASSY, PRX735
34	882-51110-12	18	SCR, 6 X 3/4,OV,PH,PTCL,BLK ZC,LCS
35	5024540	1	MID HORN, PRX700

Item	Part No.	Qty	Description
39	833-30110-00	4	NUT,10-32,KEPS,BLK ZINC,LCS,RIGHT
40	843-00110-06	4	WSHR,#10X.06,FLT PL,BLK
41	5033252	1	MID DRIVER, 196H
42	338800-001	1	HORN
43	351577-001	1	GASKET, 6.5 X 12 WAVEGUIDE
44	5020337X	1	M/I 2408H-2
45	804-41110-16	20	SCR,10-32X1,PAN,PH,BLK
52	445327-001	2	GASKET, HANDLE

JBL PRX735/230

COMPONENT EXPLODED VIEW



COMPONENT PARTS LIST:

Item	Part No.	Qty	Description	Ref.Des.
1	5032683	1	Input Board Assembly	
2	5042333	1	PSU/Amplifier Assembly	
5	5032751	1	Interface PCB Assembly 2 way	
8	5032723	1	26 Pin Ribbon Cable	
9	5032725	2	GAP PAD Top	
10	5032727	1	GAP PAD Middle	
11	5032729	1	GAP PAD Bottom	
12	5032731	1	Isolating Sheet	
13	813-41210-08	10	M3X8MM mach scrs	
14	813-41210-08	10	M3X8MM mach scrs	
15	813-41210-08	6	M3X8MM mach scrs	
17	814-11210-10	2	AC Mains Input/Sw scr M4x12MM	
18	814-41210-10	4	Pass Thru PCB Mach Scr M4X10MM	
19	830-30810-00	5	M3 Nut Keps	
20	813-30810-00	2	AC Mains Input/SW Nut Keps (M4 Nubs)	

Item	Part No.	Qty	Description	Ref.Des.
21	5032747	1	AC Inlet Socket	
22	5046094	1	Fan Assembly	
23	5034166	6	Light Pipe	
24	445045	2	Volume Knob	
25	363638	2	Switch Cap	
26	365589	2	Switch Cap	
28	5032126	2	Amplifier Gasket	
29	5041553	1	NC3MB AV	J4
30	5041554	2	XCR, 1/4 Combo Input	J5,J7
31	5041555	1	RCA Dual Input	J6
32	5041556	4	Switch TL2201	SW1, SW2, SW3, SW4
33	5041557	2	Slice Switch	SW3.SW4
34	5041558	2	10k 20% .05 w	VR1, VR2
35	ZD8106	1	Fuse5x20mm T6.3A/250V	F1

JBL PRX735/230

NETWORK SCHEMATIC: 5036399

