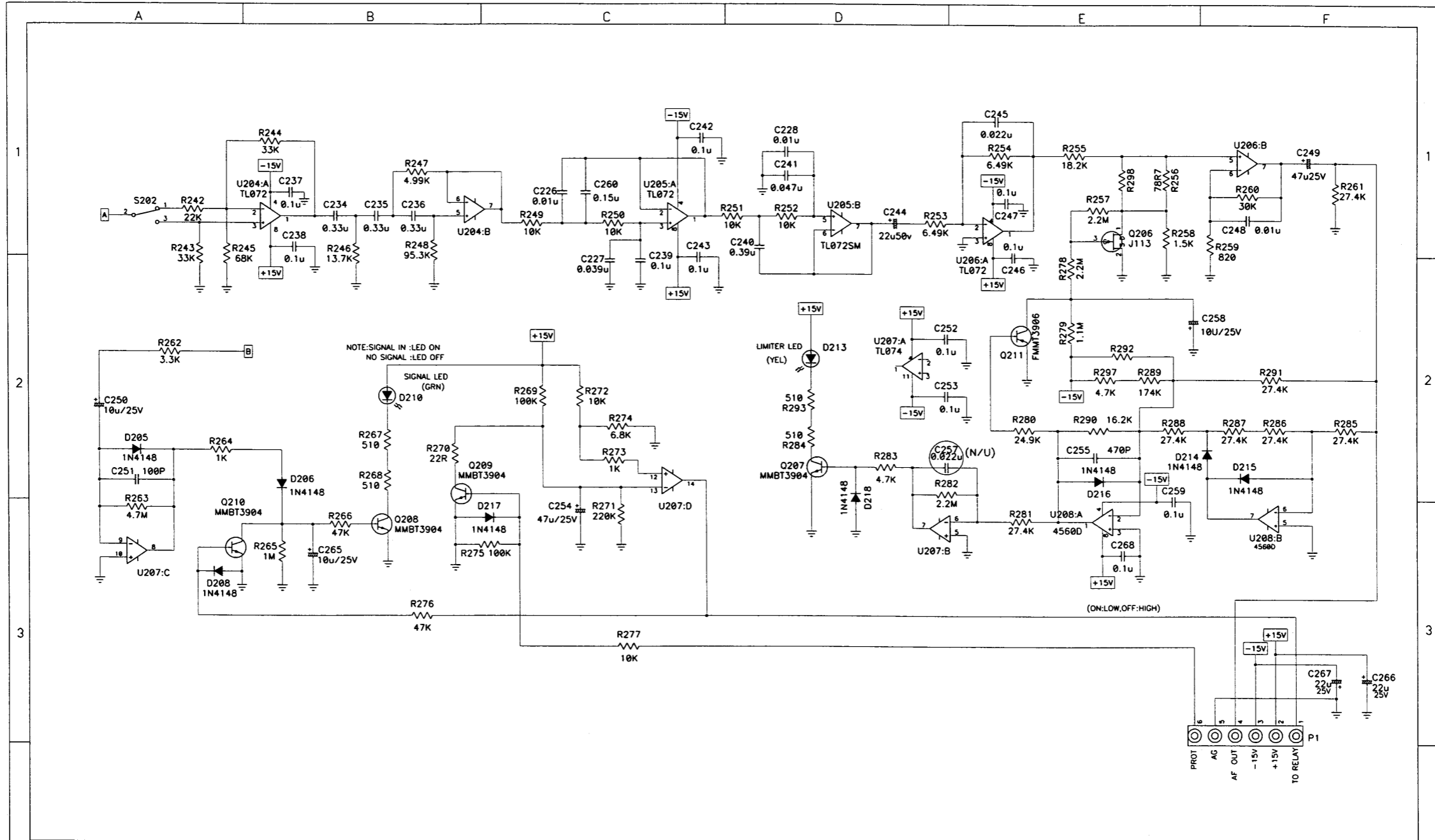


SCH : Rev P1F, PCB : Rev P1A

Rev:	Notes:	Date:	Rev:	Notes:	Date:	Draw by	Designed by	Checked by	Approved By	Customer:	JBL PRO
01	Mass Production P1K = REV01	2002/04/12								P/N:	1J03-1511-36
02										Model no:	SF22SP AMP
03										Sch name:	PRE AMP BOARD
04	ADD D207&R299	2002/05/13								Issue no:	1J03-1511-31
										Date:	2002-04-19
										Sheet:	Rev: 04
										Size:	A2 Author: Vito

ELYTONE ELECTRONIC CO.,LTD.
 TEL:+886-2-2671-2071
 FAX:+886-2-2672-5943



Rev:	Notes:	Date:	Rev:	Notes:	Date:	Draw by	Designed by	Checked by	Approved By	Customer:	JBL PRO
01	Mass Production P1K = REV01	2002/04/12								P/N:	1J03-1511-36
02	Modify C257 Was .022u Is .022u (N/U)	2002/04/19								Model no:	SF22SP AMP
										Sch name:	PRE AMP BOARD
										Issue no:	1J03-1511-31
										Date:	2002-04-19
										Sheet:	Rev: 04
										Size:	A2 Author: Vito

ELYTONE ELECTRONIC CO.,LTD.
 TEL:+886-2-2671-2071
 FAX:+886-2-2672-5943