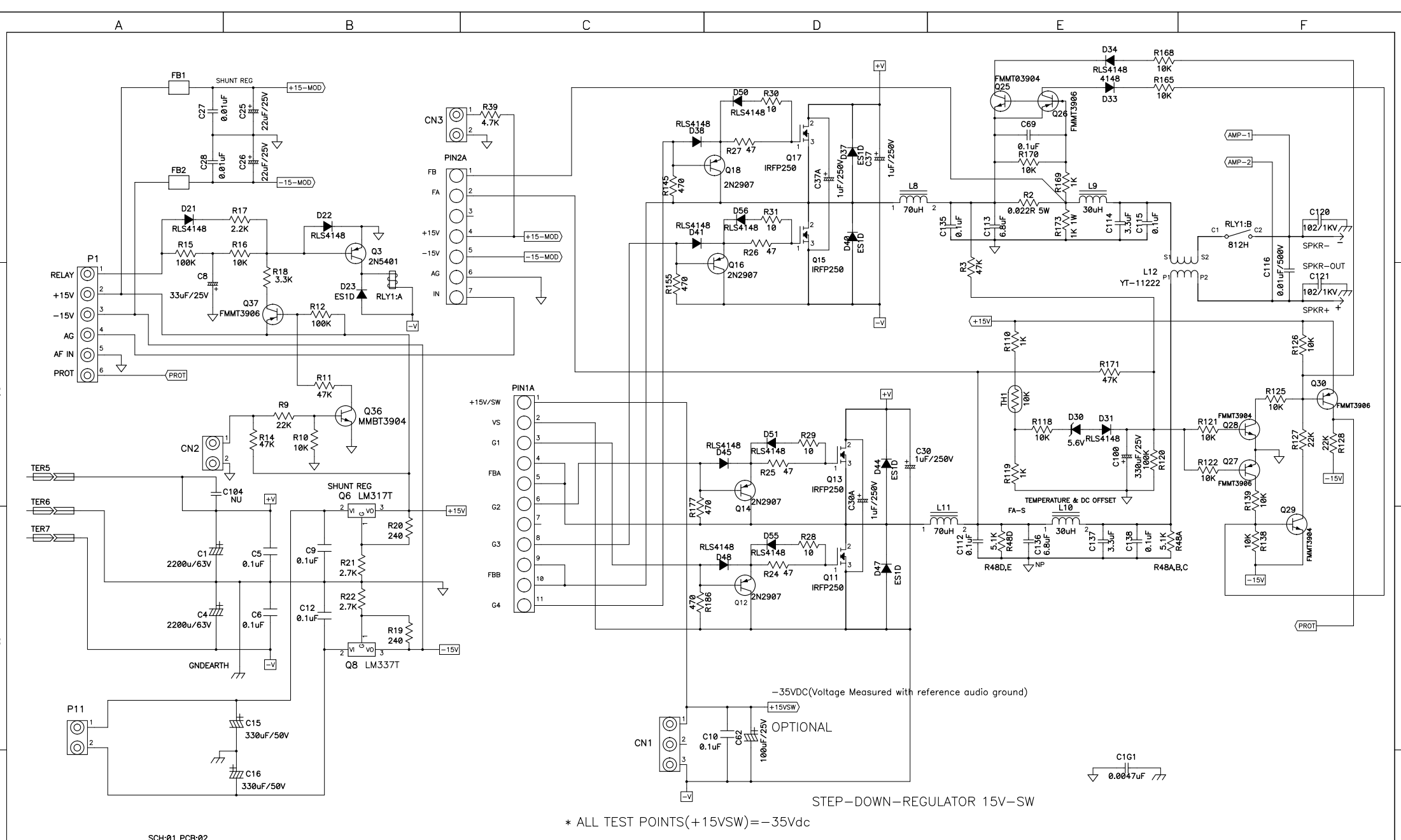
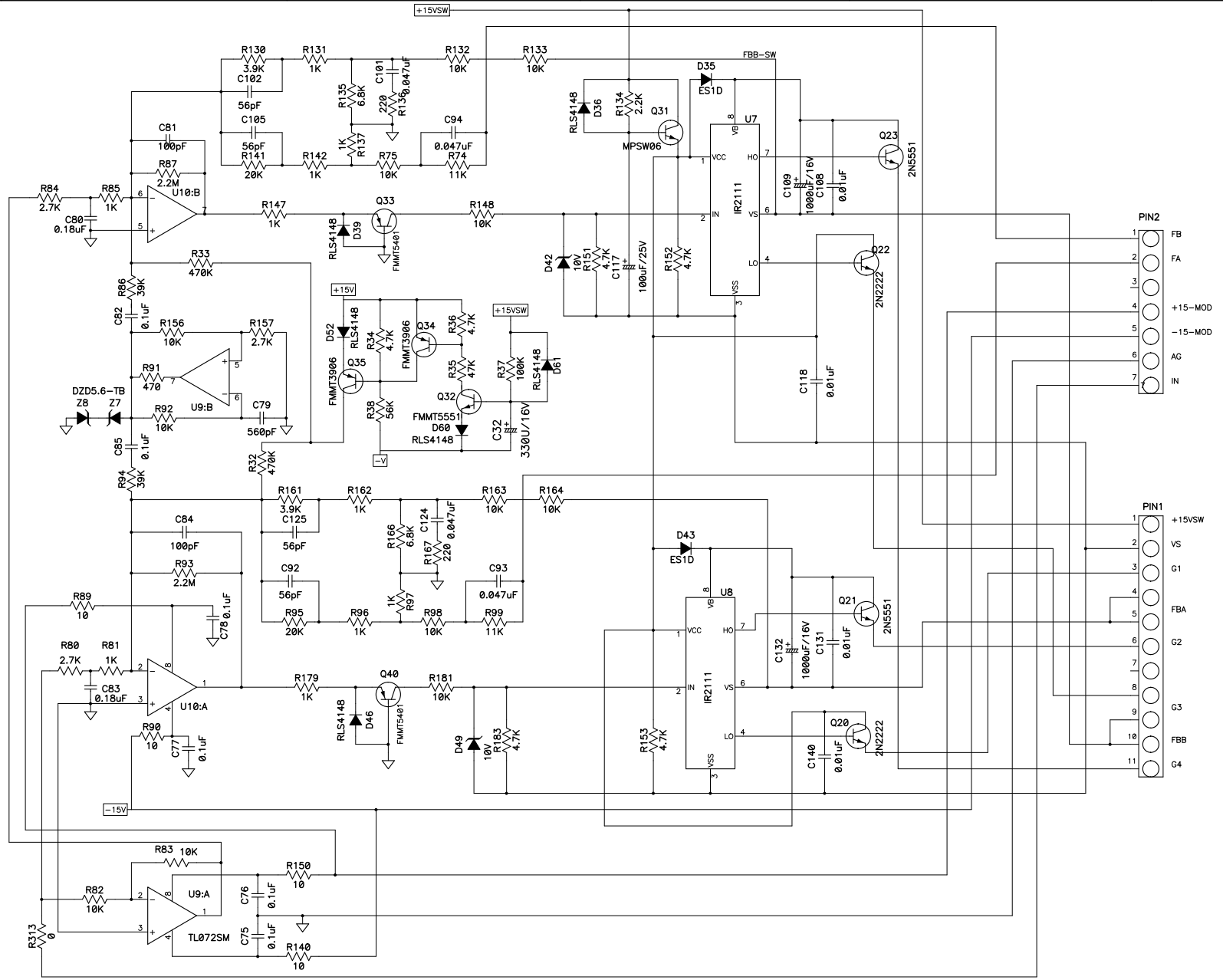


Rev:	Notes:	Date:	Rev:	Notes:	Date:	Draw by	Designed by	Checked by	Approved By	Customer:	
P1A	NEW Design	2007/05/04				李慧美	丁明松	楊佐良	游進源	JBL	
P1B	ADD CIRCUIT	2008/01/03			P/N:					416-1041901	
P1C	ADD Y4	2008/03/07			Model no:					618S	
01	Mass Production REV.01 = P1C	2010/05/26								Sch name:	E518S SPS
						音律電子股份有限公司 ELYTONE ELECTRONIC CO.,LTD. TEL:+886-2-2671-2071 FAX:+886-2-2672-5943				Issue no:	ET-01-21-7133
					Date:					2010-05-26	
					Sheet:					24	Rev:
						Size:	A2	Author:	VITA		

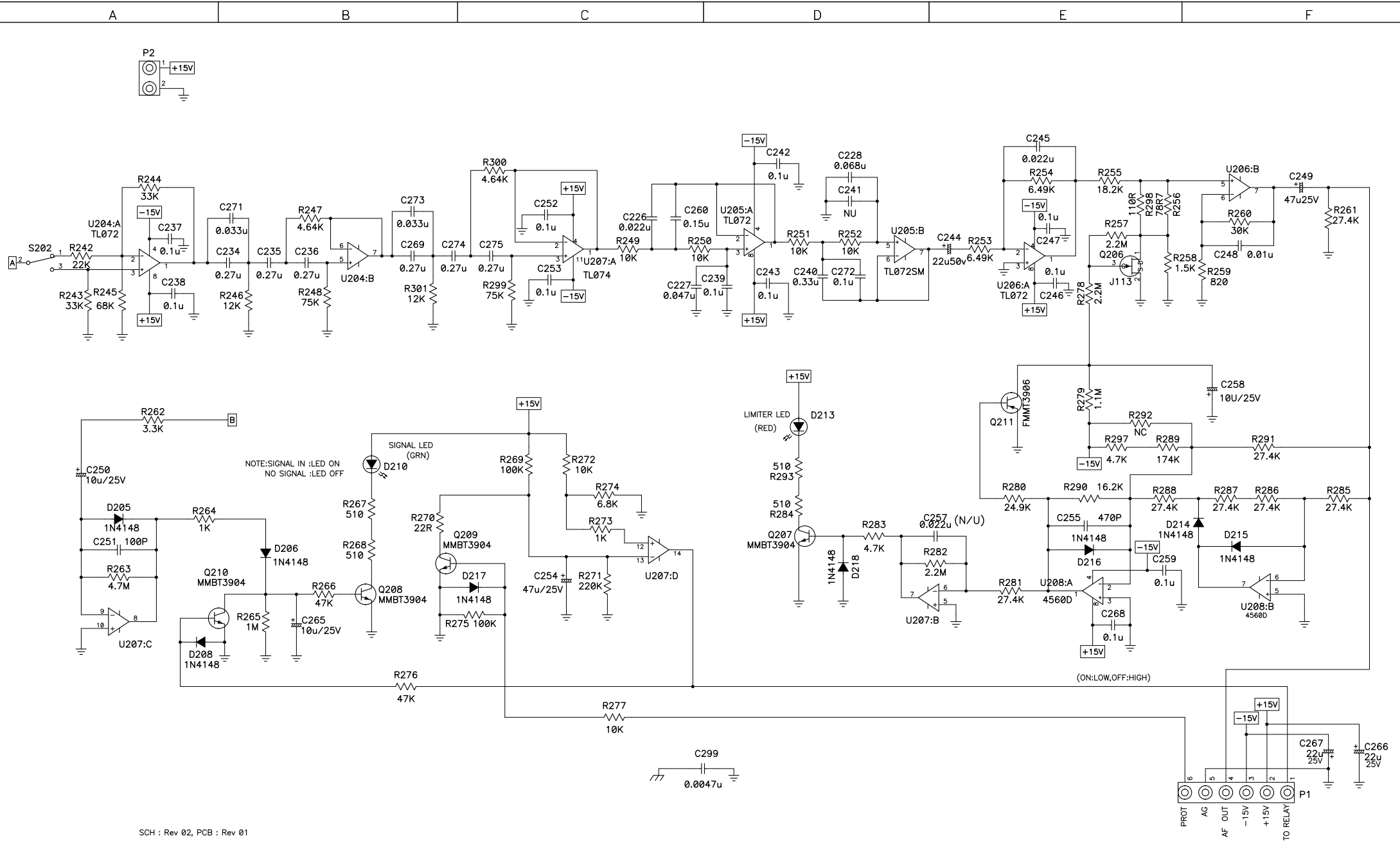


SCH:01 PCB:02											
Rev:	Notes:	Date:	Rev:	Notes:	Date:	Draw by	Designed by	Checked by	Approved By	Customer:	JBL
P1A	NEW DESIGN	2007/12/26				李慧美	王育儒	李婉慧	游進源	P/N:	416-1041901
P1B	modify circuit	2007/12/26			Model no:					618S	
P1C	add cn3,r39	2008/02/26			Sch name:					MAIN AMP PCB	
01	Mass Production REV.01 = P1C	2008/03/18			Issue no:					ET-01-21-7133	
						音律電子股份有限公司 ELYTONE ELECTRONIC CO.,LTD. TEL:+886-2-2671-2071 FAX:+886-2-2672-5943			Date:	2010/05/26	
									Sheet:	25 Rev: 01	
									Size:	A2 Author: VITA	

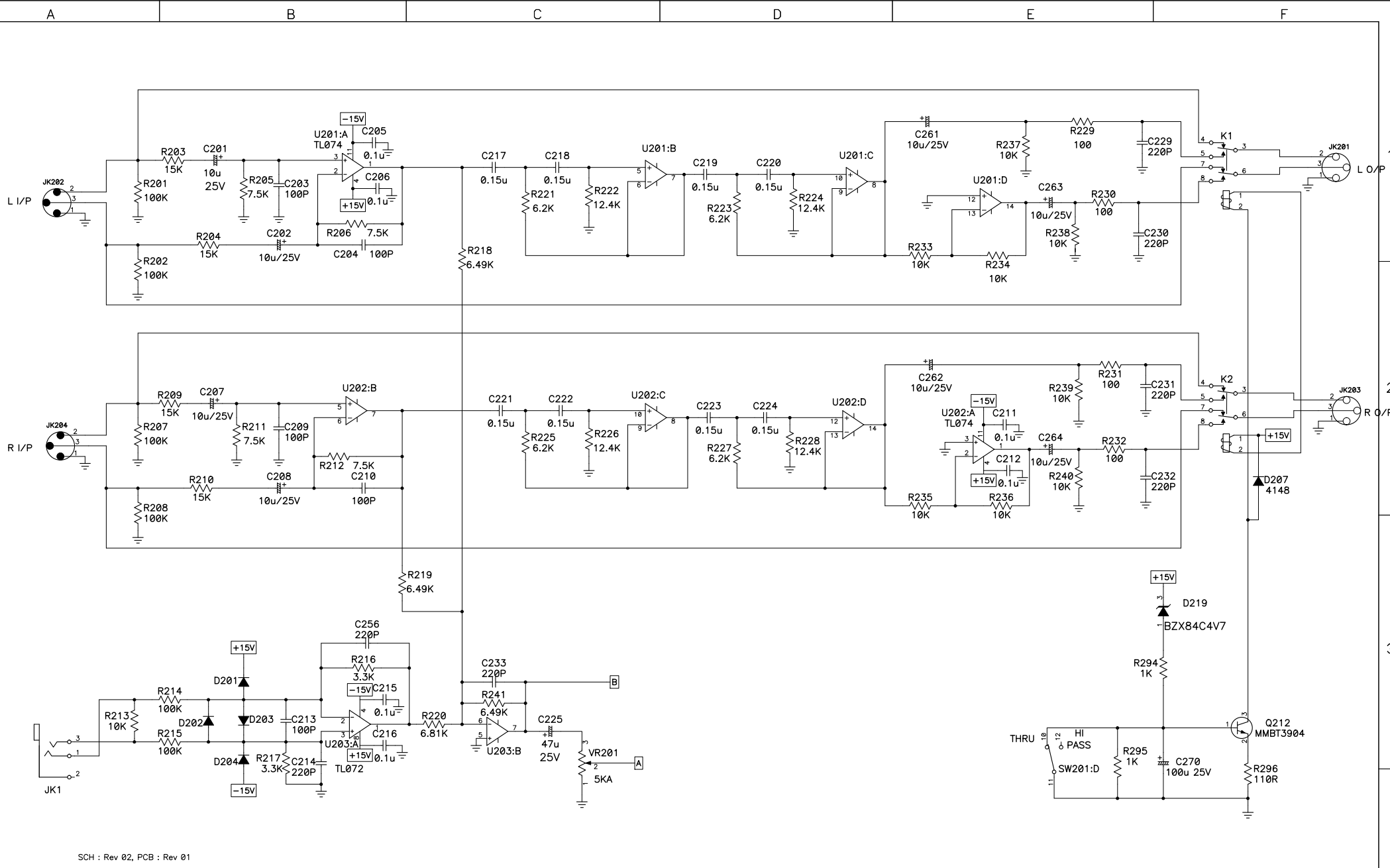


Rev:	Notes:	Date:	Rev:	Notes:	Date:	Draw by	Designed by	Checked by	Approved By	Customer:	JBL
P1A	NEW DESIGN	2007/12/26				李慧美	王育儒	李婉慧	游進源	P/N:	416-1041901
										Model no:	618S
										Sch name:	MAIN AMP PCB
										Issue no:	ET-01-21-7133
										Date:	2010/05/26
										Sheet:	26 Rev: 01
										Size:	A2 Author: VITA

音律電子股份有限公司
 ELYTONE ELECTRONIC CO.,LTD.
 TEL:+886-2-2671-2071
 FAX:+886-2-2672-5943



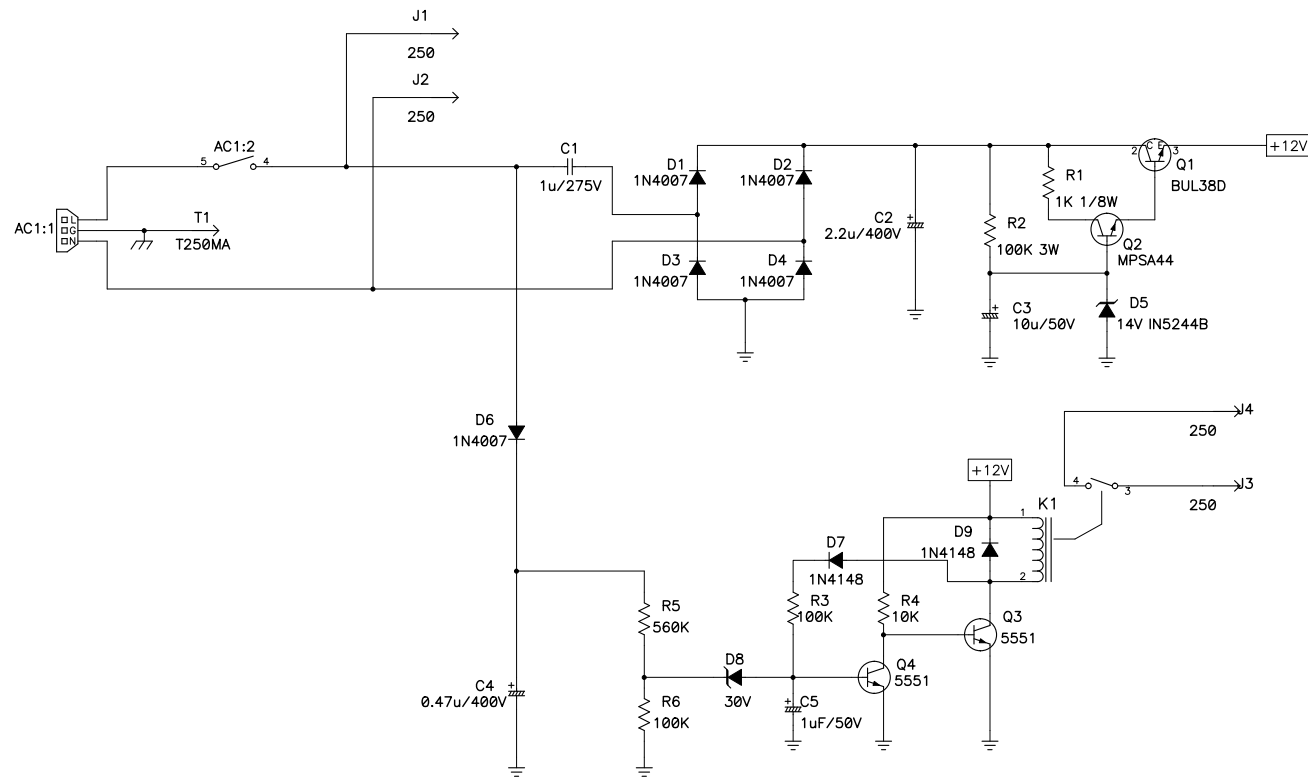
Rev:	Notes:	Date:	Rev:	Notes:	Date:	Draw by	Designed by	Checked by	Approved By	Customer:	JBL
P1A	E518S DESIGN	2008/01/03				李慧美	王育儒	李婉慧	游進源	P/N:	416-1041901
P1B	Add circuit	2008/01/29			Model no:					618S AMP	
P1C	Add D207	2008/03/07			Sch name:					PRE AMP BOARD	
01	Mass Production REV.01 = P1C	2008/03/18							Issue no:	ET-01-21-7133	
02	ECN:ET-01-25-0804-078	2008/05/02							Date:	2010-05-26	
						音律電子股份有限公司 ELYTONE ELECTRONIC CO.,LTD. TEL:+886-2-2671-2071 FAX:+886-2-2672-5943				Sheet:	27 Rev: 01
										Size:	A2 Author: Vita



SCH : Rev 02, PCB : Rev 01

Rev:	Notes:	Date:	Rev:	Notes:	Date:	Draw by	Designed by	Checked by	Approved By	Customer:
P1A	E518S DESIGN	2008/01/03				李慧美	王育儒	李婉慧	游進源	JBL
P1B	Add circuit	2008/01/29			P/N: 416-1041901					
P1C	Add D207	2008/03/07			Model no: 618S AMP					
01	Mass Production REV.01 = P1C	2008/03/18			Sch name: PRE AMP BOARD					
02	ECN:ET-01-25-0804-078	2008/05/02				Issue no: ET-01-21-7133				
音律電子股份有限公司 ELYTONE ELECTRONIC CO.,LTD. TEL:+886-2-2671-2071 FAX:+886-2-2672-5943										Date: 2010-05-26
										Sheet: 28 Rev: 01
										Size: A2 Author: Vita

A B C D E F



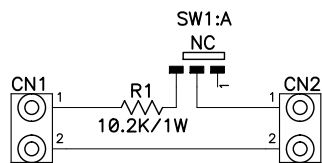
Rev:	Notes:	Date:	Rev:	Notes:	Date:	Draw by	Designed by	Checked by	Approved By	Customer:
01	Mass Production REV.01 = P1C	2010-05-26				李慧美	王育儒	李婉慧	游進源	JBL
										P/N: 416-1041901
										Model no: 618S
										Sch name: AUTONSENSE PCB
										Issue no: ET-01-21-7133
										Date: 2008-05-26
										Sheet: 29 Rev: 01
										Size: A2 Author: VITA
音律電子股份有限公司 ELYTONE ELECTRONIC CO.,LTD. TEL:+886-2-2671-2071 FAX:+886-2-2672-5943										

A

B

C

D



SCH : Rev:02
PCB : Rev:02

Rev:	Notes:	Date:	Rev:	Notes:	Date:	Draw by	Designed by	Checked by	Approved By	Customer:			
P1A	New Design	2007/07/30				李慧美	王育儒	李婉慧	游進源	IBL			
01	Mass Production REV.01 = P1A	2010-05-26											P/N: 416-1041901
													Model no: 618S
													Sch name: E518 SW PCB
													Issue no: ET-01-21-7133
						音律電子股份有限公司 ELYTONE ELECTRONIC CO.,LTD. TEL:+886-2-2671-2071 FAX:+886-2-2672-5943				Date: 2010-05-26			
													Sheet: 30 Rev: 01
													Size: A3 Author: VITA

A

B

C

D