

Technical Manual



JBL PRX715/230

SPECIFICATIONS

ACOUSTIC & ELECTRICAL SPECIFICATIONS:

- Frequency Response (± 3 dB):
 - Main EQ setting: 58.1 Hz – 17.2 kHz
 - Monitor EQ setting: 60.7 Hz – 16.7 kHz
- Frequency Range (-10 dB):
 - Main EQ setting: 42.9 Hz – 19.5 kHz
 - Monitor EQ setting: 43.6 Hz – 19.3 kHz
- Maximum SPL Output: 136 dB Peak
- Input Impedance: 20K Ohms (balanced), 10K Ohms (unbalanced)
- Crossover Frequency: 1.7 kHz

SYSTEM COMPONENTS:

- Cabinet: Enclosure (Not For Sale)
- Grille: 5030354
- Low Frequency Driver: 275G, 15 inch (380mm) woofer
- D.C.Resistance: 2.5 ohm +/- 10%

SYSTEM COMPONENTS: (CONT'D)

- High Frequency Driver: 2408H-2, 37.5 mm (1.5 in) annular polymer diaphragm, neodymium compression driver
- D.C.Resistance: 4.80 ohm +/- 0.2 ohm

AURAL SWEEP TEST SPECIFICATIONS:

- A. System.Aural Sweep Test: 0.15V Input, 50 Hz Ito 20 kHz Knob Fully CW.Line In and Main
- B. L.F.Aural Sweep Test: 7.0V Input, 10 Hz to 300 Hz
- C. H.F.Aural Sweep Test: 0.75V Input, 200 Hz to 1.5 kHz

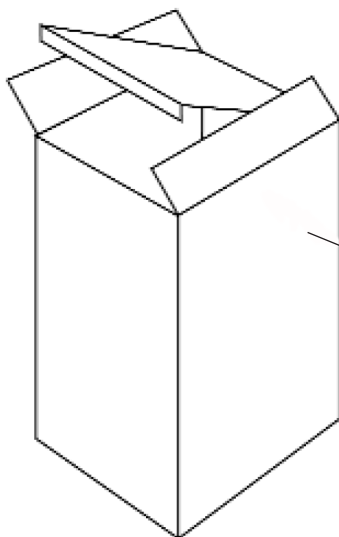
PHYSICAL SPECIFICATIONS:

- Enclosure Dimensions: 714.4 x 445 x 358.7 mm D (28.13 x 17.52 x 14.12 in.D)
- Net Weight: 47.5 lb (21.6 kg)

WARRANTY INFORMATION:

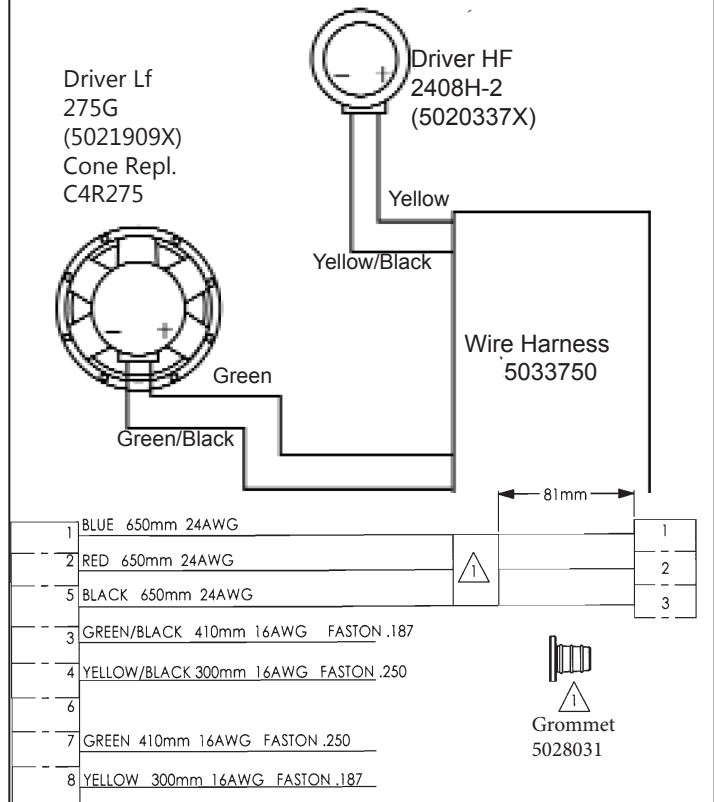
- Refer to Warranty Statement packed with each product.

PACKAGE



- Warranty Card 59660
- User's Guide 5032132
- Carton 5032130
- Filler 5032130
- Filler, Bottom 5037487
- PKG, Microfoam (4) 49790P
- Cord, AC, Line 425-00000-00 (120V) 425-00000-01 (230V)

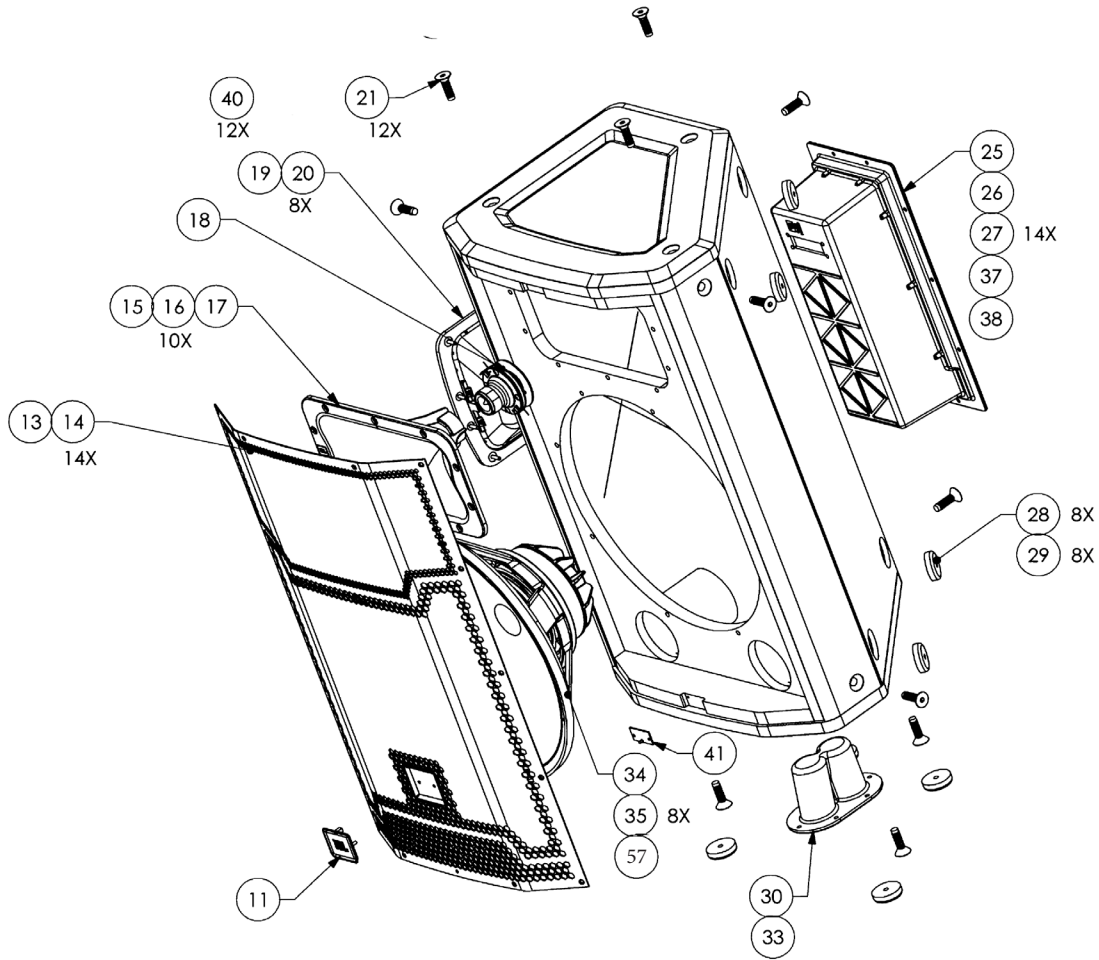
WIRING DIAGRAM



JBL PRX715/230 REV C

JBL PRX715/230

COMPONENT EXPLODED VIEW



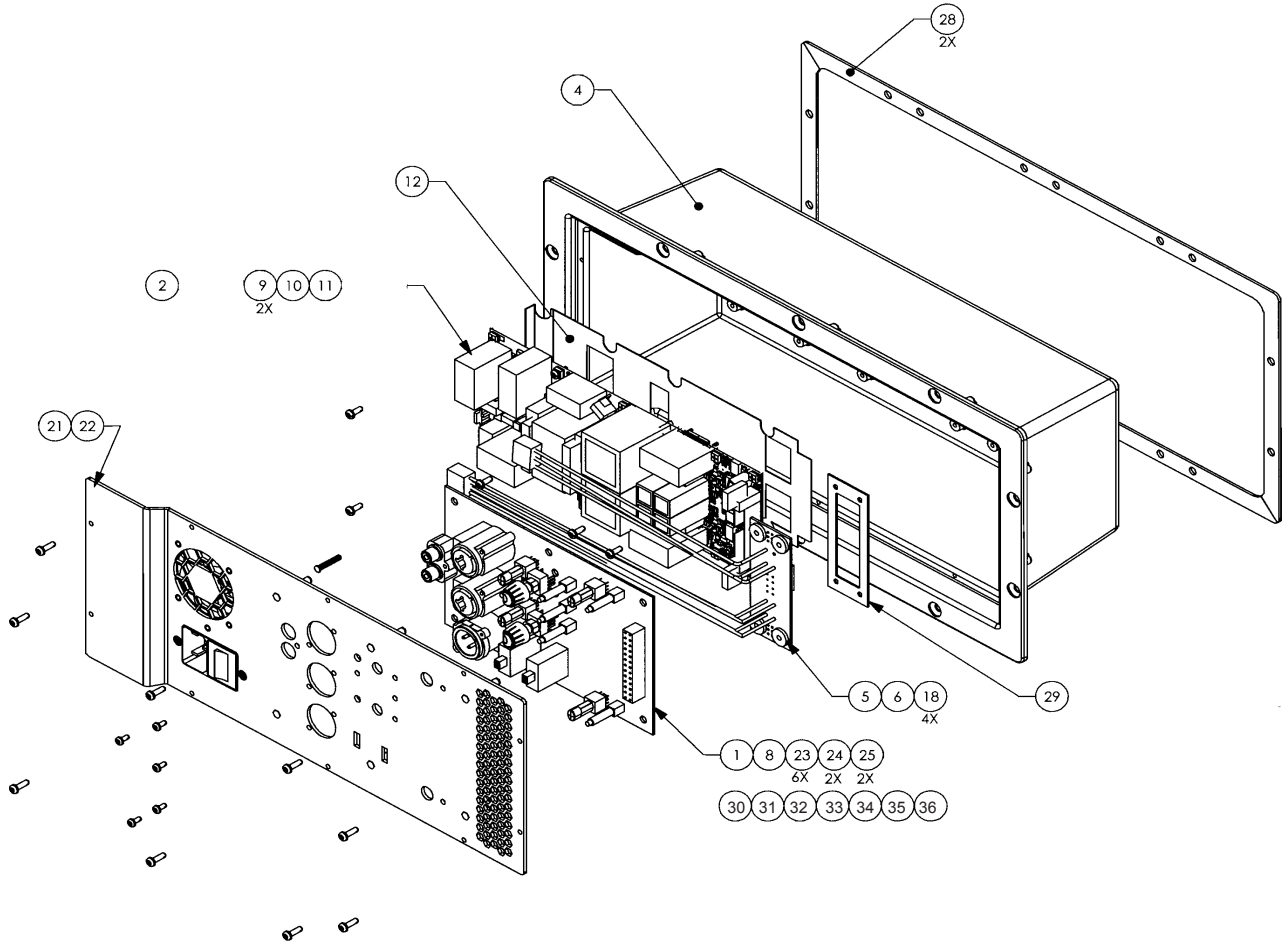
COMPONENT PARTS LIST:

Item	Part No.	Qty	Description	Ref. Des.
11	5015271	1	Logo Badge	n/a
13	5030354	1	Grille	n/a
14	882-51110-12	14	6x3/4 ov,ph,ptcl,blk	n/a
15	338800-001	1	Horn	n/a
16	804-41110-16	16	Screw 10-32x1 pan,ph,blk	n/a
17	351577-001	1	Gasket 6.5 x 12 Waveguide	n/a
18	5020337X	1	2408H-2	n/a
19	5032124	1	Handle	n/a
20	446376-001	8	#8x32	n/a
21	883-41110-08	12	Screw 8x1/2 pan,ph,pb,blk	n/a
25	5032463	1	Amp Assembly	n/a
26	5032126	1	Amp Gasket	n/a
27	804-11110-12	10	Screw 10-32x3/4 flt,ph,blk	n/a
28	353445-001	8	Foot	n/a
29	884-41110-12	8	Screw 10x3/4 pn,ph,pb,blk	n/a

Item	Part No.	Qty	Description	Ref. Des.
30	351256-001	1	Dual Pole Cup	n/a
31	445327-001	1	Handle Gasket	n/a
33	352957-001	1	Pole Cup Gasket	n/a
34	5021909X	1	M/I 275G	n/a
35	804-01110-16	8	Screw 10-32x1 fil, ph, blk	n/a
38	5033750	1	Wire Harness	n/a
40	818-13714-35	12	Screw M10x35mm flat hex blk	n/a
41	5030688	1	Led PCB	n/a
57	360-70002-01	1	Woofer Gasket	n/a

JBL PRX715/230

COMPONENT EXPLODED VIEW



COMPONENT PARTS LIST:

Item	Part No.	Qty	Description	Ref. Des.
1	5027366	1	Input Board PRX715 Assy	n/a
2	5042333	1	PSU/amp Board Assy PRX700	n/a
5	5032751	1	Interface PC Assy 2 Way	n/a
8	5032723	1	26 Pin Ribbon Cable	n/a
9	5032725	2	Grid Pad Top (gray)	n/a
10	5032727	1	Grip Pad Middle (blue)	n/a
11	2032729	1	Grid Pad Bottom (brown)	n/a
12	5032731	1	Insulating Sheet (clear)	n/a
17	814-11210-10	2	AC switch SCR M4x12MM	n/a
18	814-41210-10	4	Passthrough PC scr M4x10MM	n/a
21	5032747	1	AC Inlet Socket	n/a
22	5046094	1	Fan Assembly	n/a
23	5034166	6	Light Pipe	n/a
24	445045	2	Volume Knob	n/a
25	363638	2	Switch Cap	n/a

Item	Part No.	Qty	Description	Ref. Des.
26	565589	2	Switch Cap	n/a
28	5032126	2	Amp Gasket	n/a
29	5038780	1	Pass Through PCB Gasket	n/a
30	5041553	1	NC3MB AV	J4
31	5041554	2	XCR, 1/4 Combo Input	J5,J7
32	5041555	1	RCA Dual Input	J6
33	5041556	4	Switch TL2201	SW1, SW2, SW3, SW4
34	5041557	2	Slice Switch	SW3,SW4
35	5041558	2	10k 20% .05 w	VR1, VR2
36	ZD8016	1	Fuse5x20mm T6.3A/250V	F1

JBL PRX715/230

COMPONENT EXPLODED VIEW