

Thru Output Filters removed

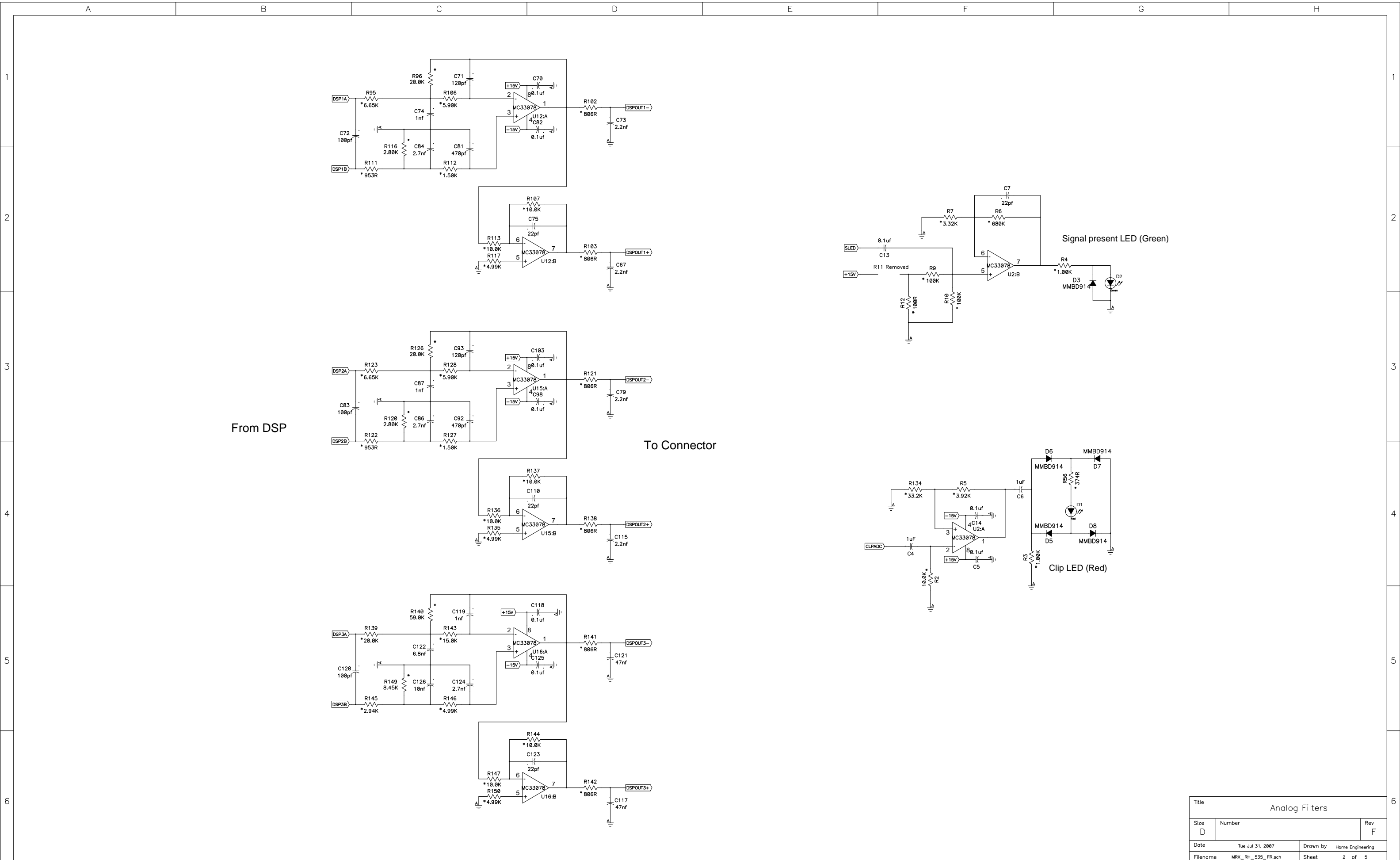
Output matrix ferrites configured for PRX_535 model

Second Input Removed

Thru Filter relay removed

Invert relay removed

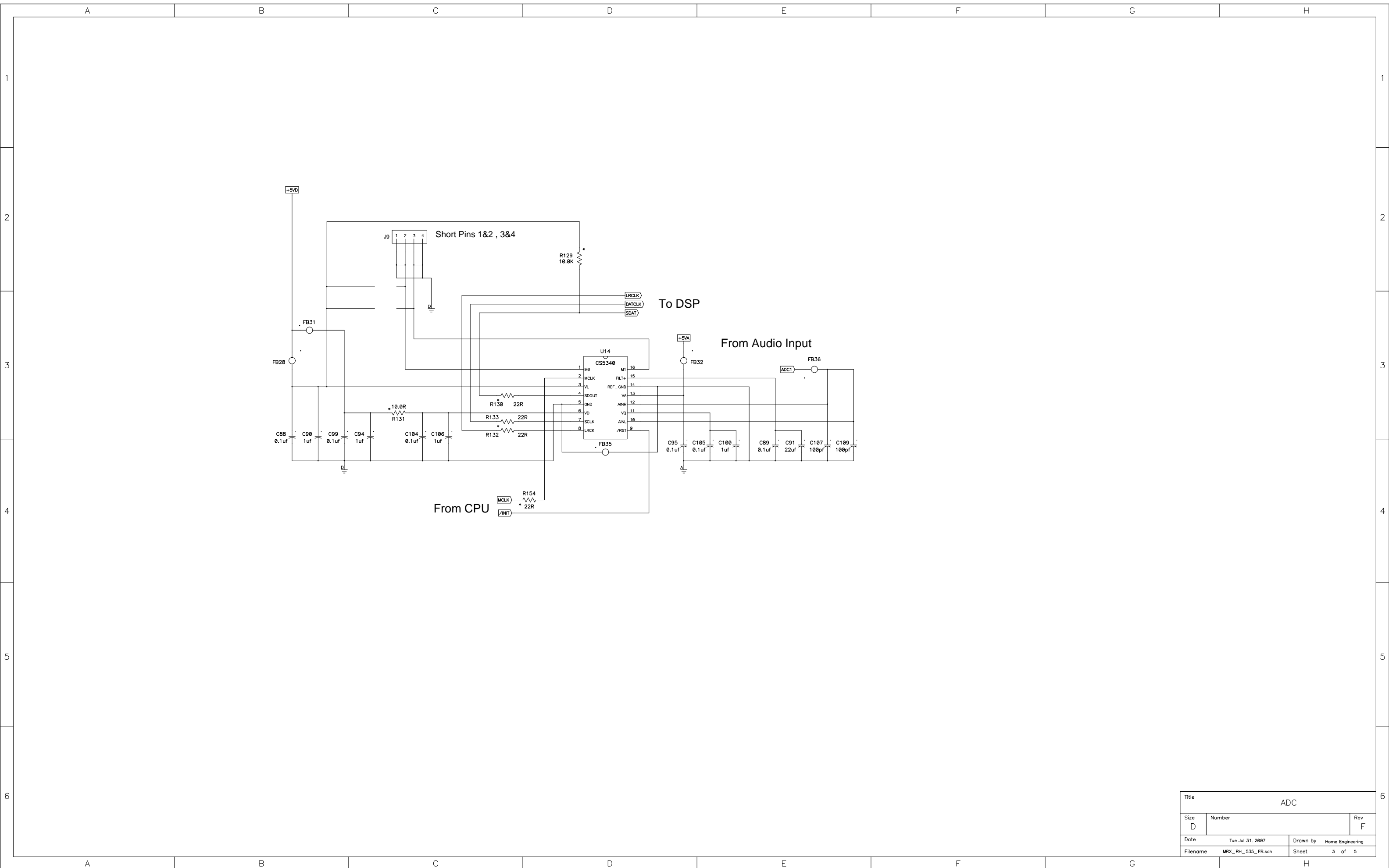
Analog Input/Output		
Size D	Number	Rev F
Date Tue Jul 31, 2007	Drawn by Home Engineering	
Filename MRX_RH_535_FR.sch	Sheet 1 of 5	



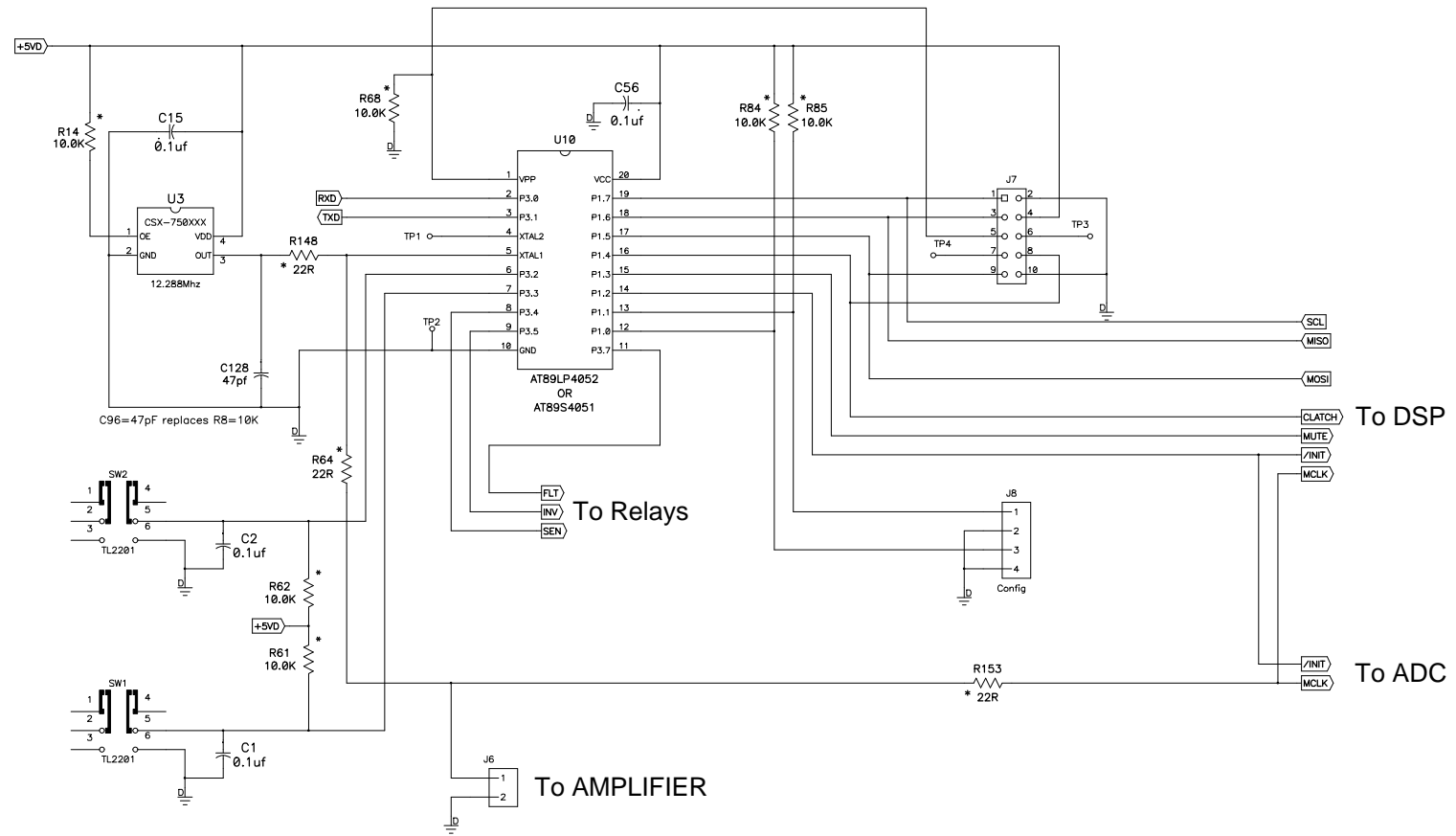
From DSP

To Connector

Title			Analog Filters		
Size	Number			Rev	F
D					
Date	Tue Jul 31, 2007	Drawn by	Home Engineering		
Filename	MRX_RH_535_FR.sch	Sheet	2 of 5		

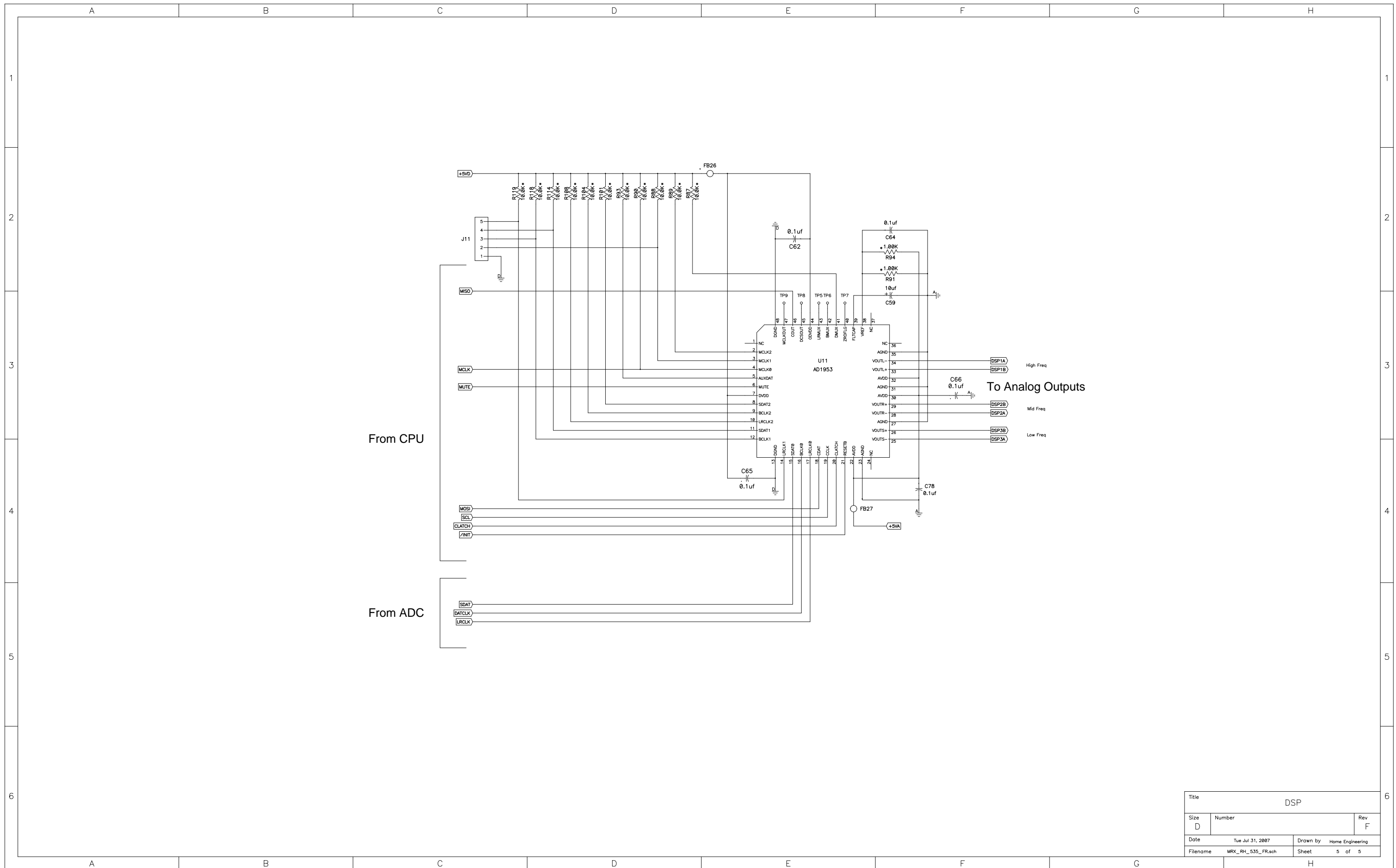


Title			ADC		
Size	Number				Rev
D					F
Date	Tue Jul 31, 2007		Drawn by	Home Engineering	
Filename	MRX_RH_535_FR.sch	Sheet	3 of 5		



RS232 Buffer and surrounding circuit removed

Title		CPU	
Size	Number	Rev	
D		F	
Date	Tue Jul 31, 2007	Drawn by	Home Engineering
Filename	MRX_RH_535_FR.sch	Sheet	4 of 5



Title			DSP		
Size	Number				Rev
D					F
Date	Tue Jul 31, 2007	Drawn by	Home Engineering		
Filename	MRX_RH_535_FR.sch	Sheet	5 of 5		