

# Technical Manual

# JBL PRX535

## SPECIFICATIONS



### ACOUSTIC & ELECTRICAL SPECIFICATIONS:

- Frequency Response: 46 Hz – 20 kHz ( $\pm 3$  dB)
- Frequency Range: 39 Hz – 20 kHz ( $-10$  dB)
- Coverage Pattern: 90° x 50° nominal
- Directivity Factor (Q): 11.4
- Directivity Index (DI): 10.6 dB
- Crossover Modes: DSP controlled 24 dB filter slope
- Crossover Frequency: 480 Hz, 2.6 kHz
- System Power Rating: 650 W continuous, 1300 W peak
- LF Power Amp: Class-D, 400 Watt (continuous) at driver impedance
- MF Power Amp: Class-D, 150 Watt (continuous) at driver impedance
- HF Power Amp: Class-D, 100 Watt (continuous) at driver impedance
- Distortion: Less than 0.1% at rated power
- Maximum SPL: 134 dB SPL peak
- Signal Indicators: Overload: Red LED indicates input overload condition  
Signal: Green LED indicates signal presents
- Input Sensitivity: Mic Position  $-25$  dBu to 0 dBu  
Line Position  $+28$  dBu o  $+10$  dBu
- Input Impedance: 64 K Ohms (balanced)  
32 K Ohms (unbalanced)
- Polarity: 0° or 180° phase shift

### TRANSDUCER SECTION:

- Cabinet: (Not For Sale)
- Grille: 363075-004
- Low Frequency Driver: 1 JBL 265F-1, 380 mm (15 in) differential drive woofer
- Mid Frequency Driver: 1 JBL 195H, 165 mm (6.5 in) woofer
- High Frequency Driver: 1 JBL 2408H, 37.5 mm (1.5 in) annular plymer diaphragm, neodymium compression driver

### AURAL SWEEP TEST SPECIFICATIONS:

- A. System. Aural Sweep Test: 200mV Input, 20 Hz to 20 kHz
- B. L.F. Aural Sweep Test: 15.5V Input, 30 Hz to 200 Hz
- C. M.F. Aural Sweep Test: 7.3V Input, 300 Hz to 4 kHz
- D. H.F. Aural Sweep Test: 1V Input, 900 Hz to 20 kHz

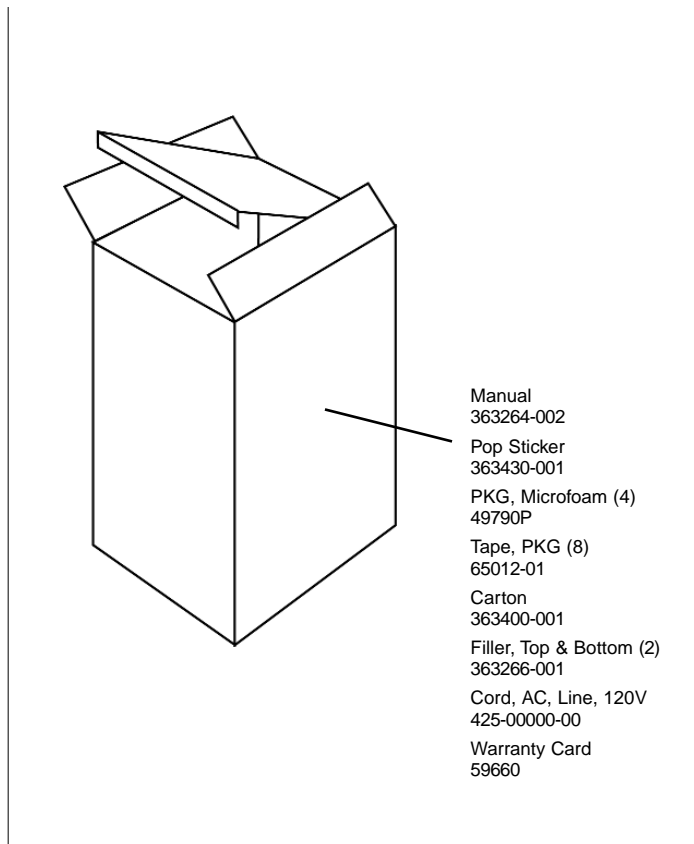
### PHYSICAL SPECIFICATIONS:

- Enclosure Dimensions: 1070 mm x 440 mm x 465 mm D (42 in. x 17.25 in. x 18.25 in. D)
- Net Weight: 33.5 kg (74 lb)

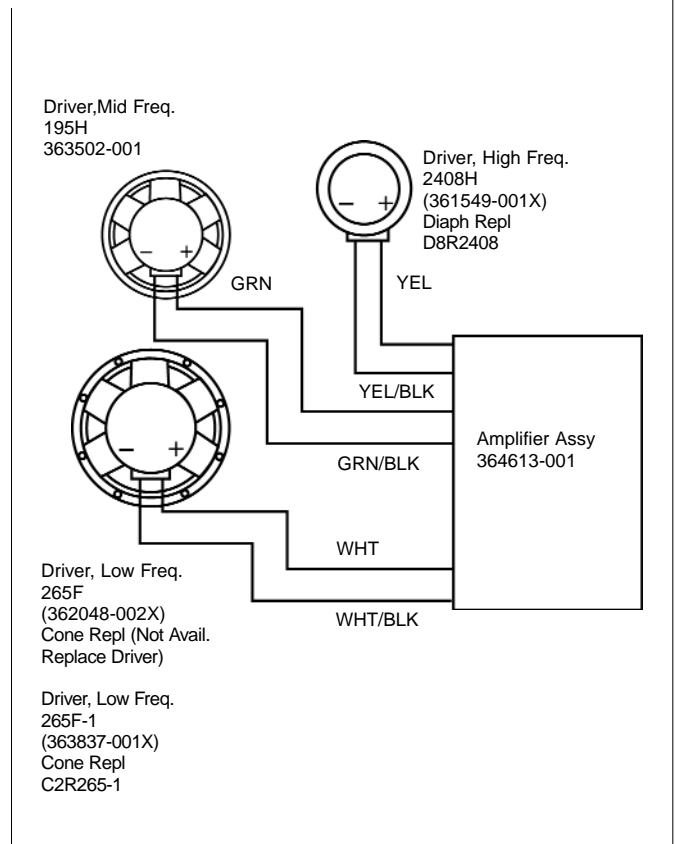
### WARRANTY INFORMATION:

- Refer to Warranty Statement packed with each product.

## PACKAGE



## WIRING DIAGRAM



# JBL PRX535

## COMPONENT EXPLODED VIEW

