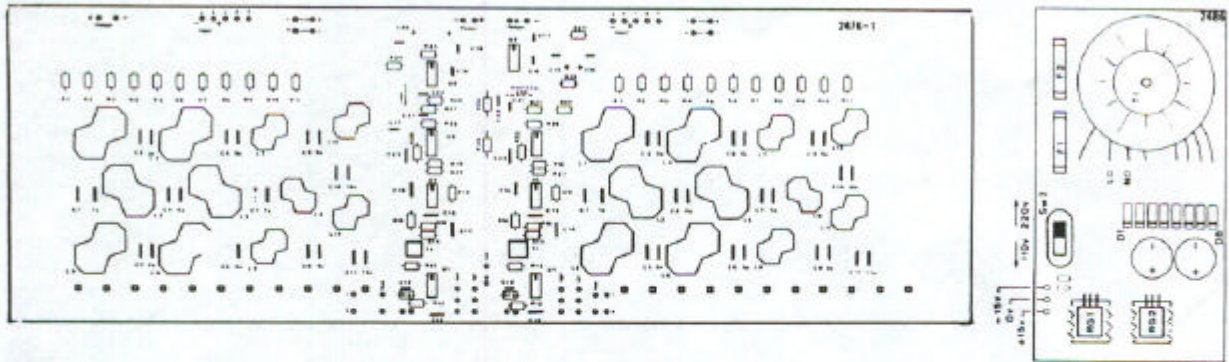
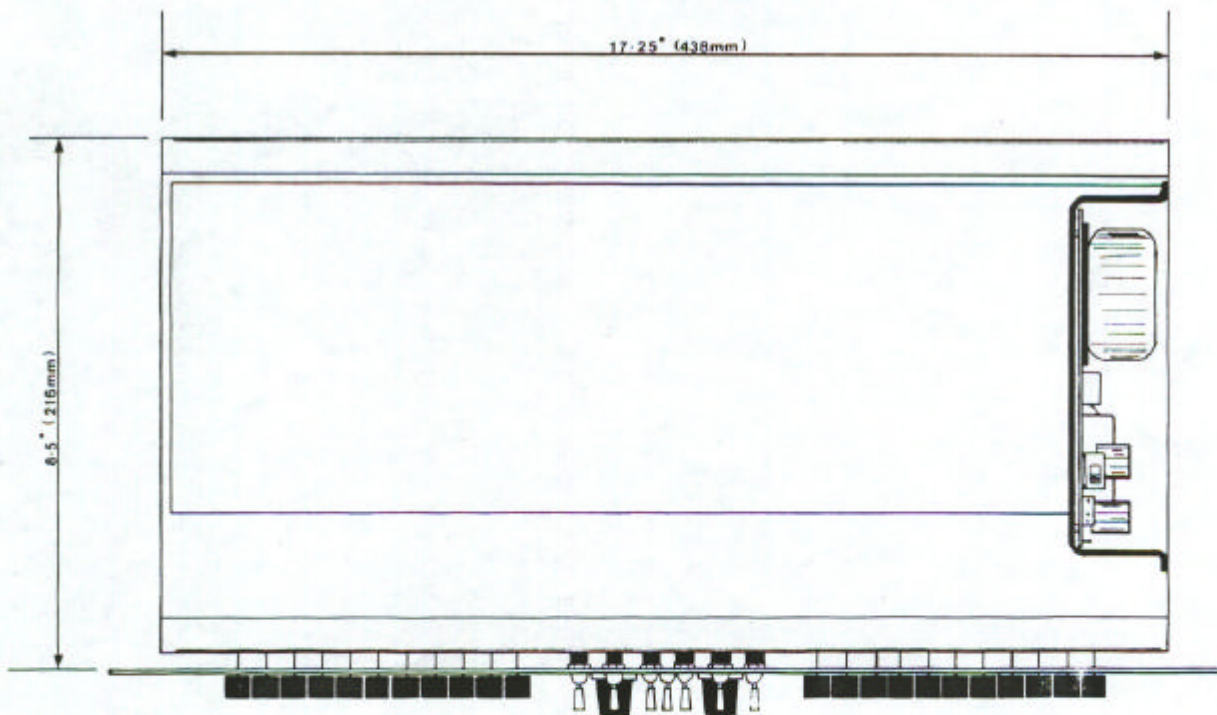


Circuit Board & Mechanical Layout



- NOTES
- 1 Preset potentiometer VR12 Adjusted for unity gain with panel level control at mid position.(5)
 - 2 Voltage selector SW4 set for 110v or (220v) nominal.
Disconnect MAINS before changing
 - 3 Dimensions shown below include dust cover sleeve. Panel height is $5\frac{1}{4}$ " to mount in standard G.P.O. rack.



DN22 GRAPHIC EQUALISER

ONE CHANNEL SHOWN
BOTH CHANNELS IDENTICAL

