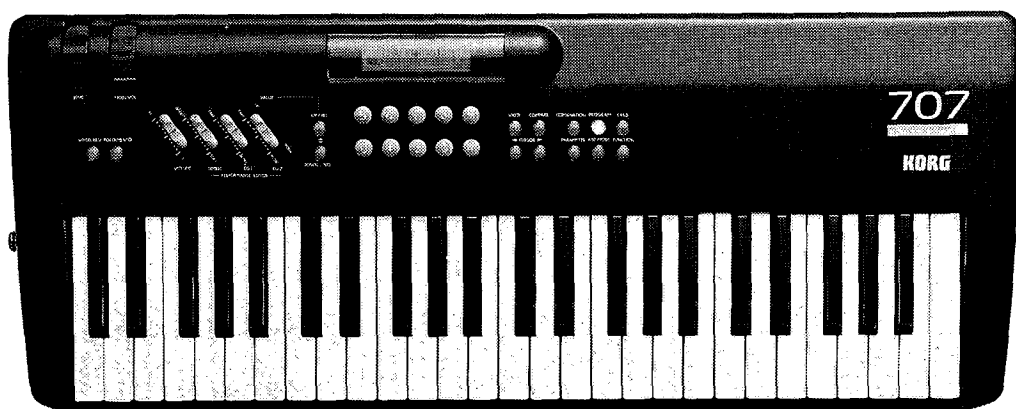


SERVICE MANUAL

PERFORMING SYNTHESIZER

707



CONTENTS

1. SPECIFICATIONS	1
2. MIDI IMPLEMENTATION	3
3. STRUCTURAL DIAGRAM	4
4. BLOCK DIAGRAM	6
5. CIRCUIT DIAGRAM	7
6. P.C. BOARD	11
7. REFERENCE DATA	14
8. PARTS LIST	16

KORG

1. SPECIFICATIONS

SPECIFICATIONS

Keyboard:	49 keys (C -- C), Initial Touch, Aftertouch.	
Voices:	8 voices simultaneously (Single Mode).	
Programs:	100 Programs, 10 Combinations.	
	MCR-02 RAM Card:	2 Bank (200 Programs, 20 Combinations).
	MCR-03 RAM Card:	4 Bank (400 Programs, 40 Combinations).
Function Mode:	Master Tune:	±50 cents.
	Transpose:	±12 semitones.
	Footswitch Assign:	Damper, Portamento, Program Up, Program Down.
	Save to RAM Card.	
	Load from RAM Card.	
	Memory Protect:	Internal Off/On, External Off/On.
	MIDI:	Transmit/Receive Channel (1--16), Omni Off/On, Local Off/On.
	MIDI Filtering:	Active Sensing Off/On, Program Change Off/On, Control Change Off/On, Exclusive Off/On. Data Transfer.
	Wheel Assign:	Modulation, Volume.
Voice Parameter Mode:	Pitch:	OSC 1, OSC 2, Detune.
	Pitch EG:	Start Level, Attack, Attack Level, Decay, Release, Release Level.
	OSC 1 Waveform:	Type, Spectrum, Ring, Limit, Keyboard Track.
	OSC 2 Waveform:	Type, Spectrum, Ring, Limit, Keyboard Track.
	OSC 1 Timbre EG:	Timbre, EG Intensity, Attack, Decay, Sustain, Release, Keyboard Track.
	OSC 2 Timbre EG:	Timbre, EG Intensity, Attack, Decay, Sustain, Release, Keyboard Track.
	OSC 1 Ampl. EG:	Level, Attack, Decay, Sustain, Release, Keyboard Track.
	OSC 2 Ampl. EG:	Level, Attack, Decay, Sustain, Release, Keyboard Track.
	Modulation Generator:	Waveform (Triangle, Sawtooth, Square, Sample & Hold), Frequency, Delay Time, Pitch Intensity, Timbre/Ampl. Intensity, Timbre Select (Off, OSC 1, OSC 2, OSC 1+2), Ampl. Select (Off, OSC 1, OSC 2, OSC 1+2).
	Portamento:	Mode, Time
	Control Wheels:	Pitch Bend: Bend Pitch (±1 octave max.), Bend Timbre; Modulation: Pitch Intensity, Timbre Intensity, Modulation Speed.
	Velocity:	OSC 1 Timbre EG, OSC 2 Timbre EG, OSC 1 Ampl. EG, OSC 2 Ampl. EG.
	After Touch:	Pitch MG, Timbre, OSC 1 Ampl. Level, OSC 2 Ampl. Level.
	Assign Mode:	Poly/Unison, Trigger (Single/Multi: in Unison Mode only), Detune (in Unison Mode only).
	Voice Name:	Max. 10 characters.
	Octave:	Low, Middle, High.
Combi Parameter Mode:	Controller:	Source, Group 1 -- 8 Off/On.
	Modulation Generator:	Source, Group 1 -- 8 Off/On.
	Pan:	Group 1 -- 8 (A, B, A+B)
	Volume:	Group 1 -- 8 (0 -- MAX.).
	No. of Voices:	Group 1 -- 8 (max. 8 voices).
	MIDI Receive Channel:	Group 1 -- 8 (MIDI Channel 1 -- 16).
	Interval/Detune:	Interval (0 -- 12 semitones), Detune (±50 cents, MAX.).
	Key Split/Octave Shift:	Key Split Group 1 (C1 -- C7), Key Split Group 2 (C1 -- C7), Octave Shift Group 1 (+2 octaves, MAX.), Octave Shift Group 2 (-2 octaves, MAX.).
Panel Selection Switches:	Combination, Program, Card.	

Panel Mode Switches:	Parameter, Keyboard Mode, Function.
Programmer Controls:	Numeric keys (0 -- 9), Cursor keys (◀ ▶), Write, Compare, Value slider (also serves as EG2 slider), Up/Yes, Down/No.
Performance Editor Controls:	Timbre slider, EG1 slider, EG2 slider (also serves as Value slider), Portamento (Off/On), Wheel Reverse (Off/On).
Volume Slider:	0 -- MAX.
Display:	LCD (Liquid Crystal Display), Backlit, 20 Characters x 2 Rows.
Card Slot:	x 1
Input Jacks:	Footswitches 1 and 2.
Output Jacks:	Output (A/MIX., B), Phones.
MIDI Jacks:	IN, OUT, THRU.,
Power Supply:	DC 9V.
Weight:	4.9 kg (10 lbs 12 oz) Including battery.
Dimensions (W x H x D):	763 x 102 x 299 mm (30.0" x 4.0" x 11.8")
Supplied Accessories:	AC Power Cord, Connection Cable.

* Design and specifications are subject to change without notice.

Parameter List:

FUNCTION	0	MASTER TUNE	5	MEMORY PROTECT
	1	TRANPOSE	6	MIDI (CH/OMNI/LOCAL)
	2	FOOT SW 1, 2 ASSIGN	7	MIDI (FILTERING/EXCLUSIVE)
	3	SAVE TO RAM CARD	8	MIDI DATA TRANSFER
	4	LOAD FROM CARD	9	WHEEL ASSIGN
VOICE PARAMETER	1	PITCH	01	PORTAMENTO
	2	PITCH EG	02	CONTROL WHEEL
	3	OSC1 WAVEFORM	03	VELOCITY
	4	OSC2 WAVEFORM	04	AFTER TOUCH
	5	OSC1 TIMBRE EG	05	ASSIGN MODE
	6	OSC2 TIMBRE EG	06	VOICE NAME
	7	OSC1 AMPL EG	07	OCTAVE
	8	OSC2 AMPL EG		
	9	MODULATION GENERATOR		
COMBI PARAMETER	0	CONTROLLER	4	NO. OF VOICE
	1	MODULATION GENERATOR	5	RECEIVE CHANNEL
	2	PAN	6	INTERVAL/DETUNE
	3	VOLUME	7	KEY SPLIT/OCT SHIFT

2.MIDI IMPLEMENTATION

MIDI IMPEMETATION CHART

FUNCTION		Transmitted	Recognized	Remarks
Basic Channel	Default Change	1 - 16 1 - 16	1 - 16 1 - 16	Memorized
Mode	Default Messages Altered	1 Omni ON/OFF *****	1	Ignored
Note number:	Actual Notes	24 - 96 *****	0 - 127 24 - 96	
Velocity	Note on Note off	o 9n, V=15-127 x	o 9n, V=1-127	
After Touch	Keys Ch's	x o	x o	*1
Pitch bend		o	o	*1
Control Change	1 6 7 10 64 65 96 97	o o o x o o o o	o o o o o o o o	Pitch MG *1 Data entry *3 Volume *1 Panpot *1 Sustain *1 Portamento switch *1 Data increment *3 Data decrement *3
Program Change	Actual No.	o 0 - 99 *****	o 0 - 127 0 - 99	*2, *5
System Exclusive		o	o	Voice data dump, etc. *3
System Common	: Song pos. : Song sel. : Tune	x x x	x x x	
System Real time	: Clock : Commans	x x	x x	
Aux Message	: Local ON/OFF : All note off : Active sensing : Reset	x x o o	o o 123 - 127 o o	*4
<p>NOTES: *1 Transmit/receive if CONTROL is ON in FUNCTION Mode. *2 Transmit/receive if PROGRAM is ON in FUNCTION Mode. *3 Transmit/receive if EXCLUSIVE is ON in FUNCTION Mode. *4 Transmit/receive if ACTIVE SENSING is ON in FUNCTION Mode. *5 Only the final two digits of program numbers of over 100 will be recognized.</p>				

Mode1: OMNI ON, POLY

Mode 2: OMNI ON, MONO

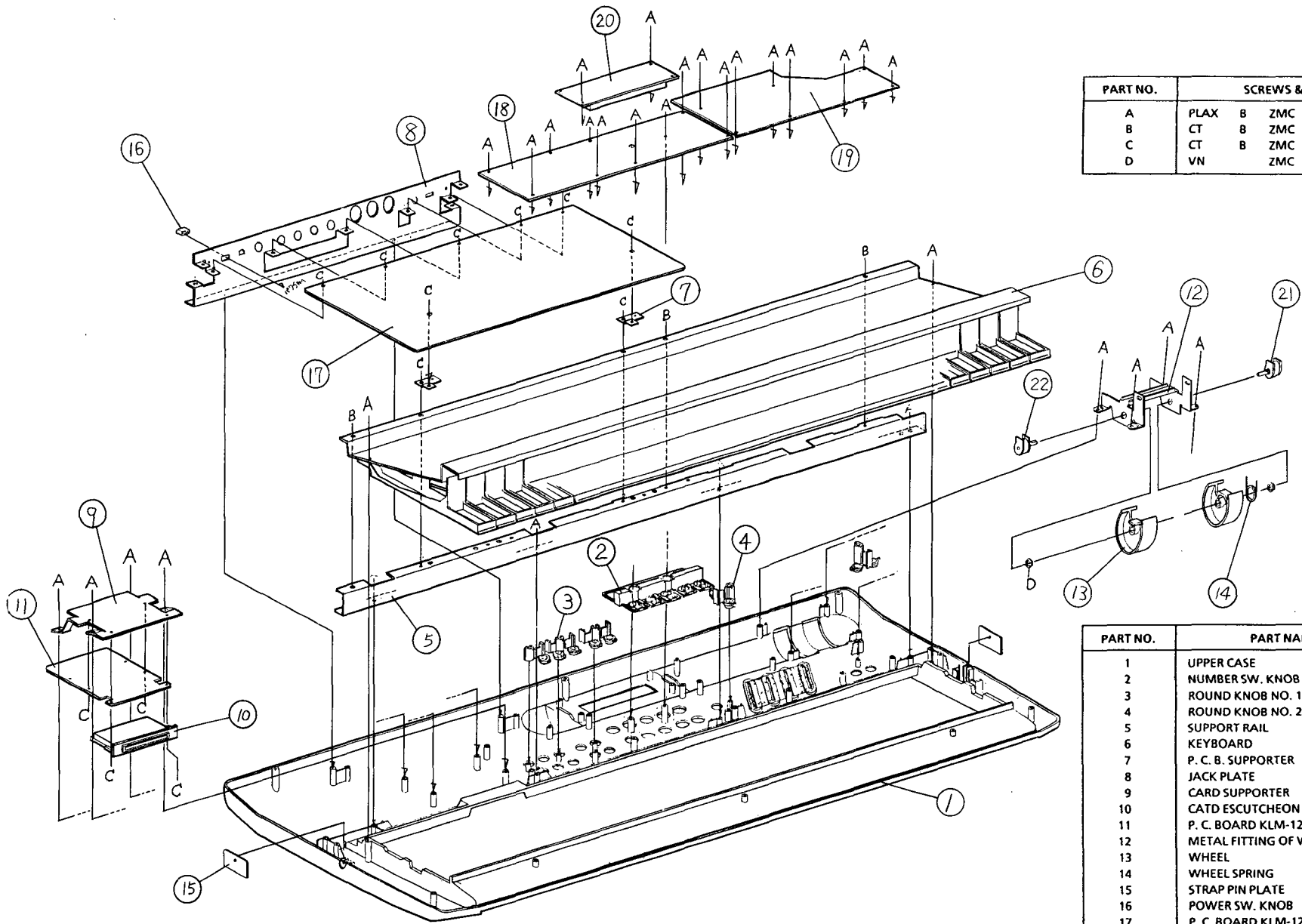
o : Yes

Mode3: OMNI OFF, POLY

Mode 4: OMNI OFF, MONO

x : No

3. STRUCTURAL DIAGRAM

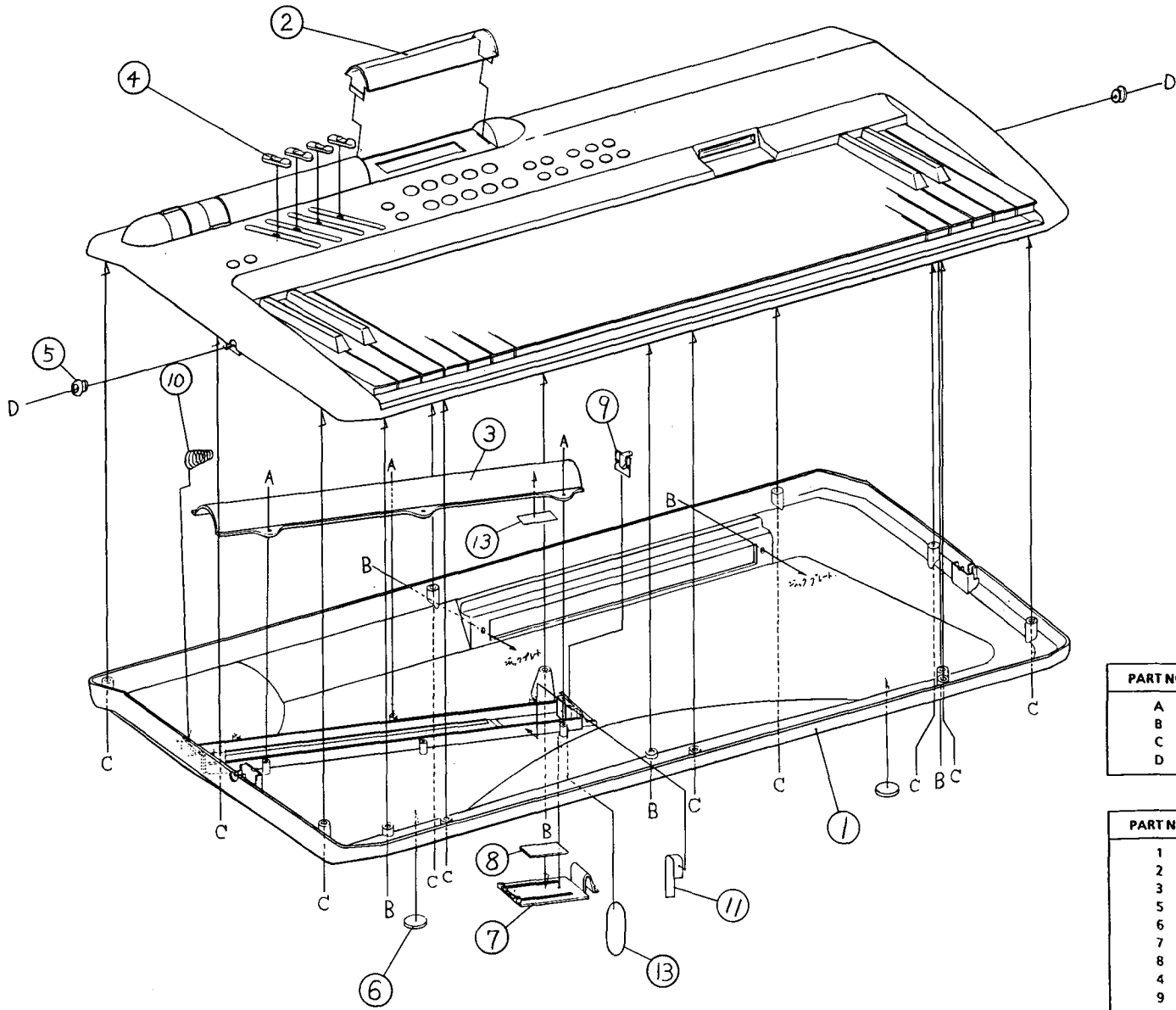


PART NO.	SCREWS & NUT	Q'TY
A	PLAX B ZMC 3x8	32
B	CT B ZMC 4x8	3
C	CT B ZMC 3x8	13
D	VN ZMC 7	2

PART NO.	PART NAME	PART CODE
1	UPPER CASE	
2	NUMBER SW. KNOB	
3	ROUND KNOB NO. 1	620018900
4	ROUND KNOB NO. 2	620019000
5	SUPPORT RAIL	640089200
6	KEYBOARD	420003900
7	P. C. B. SUPPORTER	640089100
8	JACK PLATE	640088800
9	CARD SUPPORTER	640088700
10	CATD ESCUTCHEON	646023200
11	P. C. BOARD KLM-1218	343012180
12	METAL FITTING OF WHEEL	640089000
13	WHEEL	
14	WHEEL SPRING	640089900
15	STRAP PIN PLATE	640088900
16	POWER SW. KNOB	620018200
17	P. C. BOARD KLM-1219	343012190
18	P. C. BOARD KLM-1216	343012150
19	P. C. BOARD KLM-1215	343012150
20	LCD	313001200
21	VR	
22	VR	

4

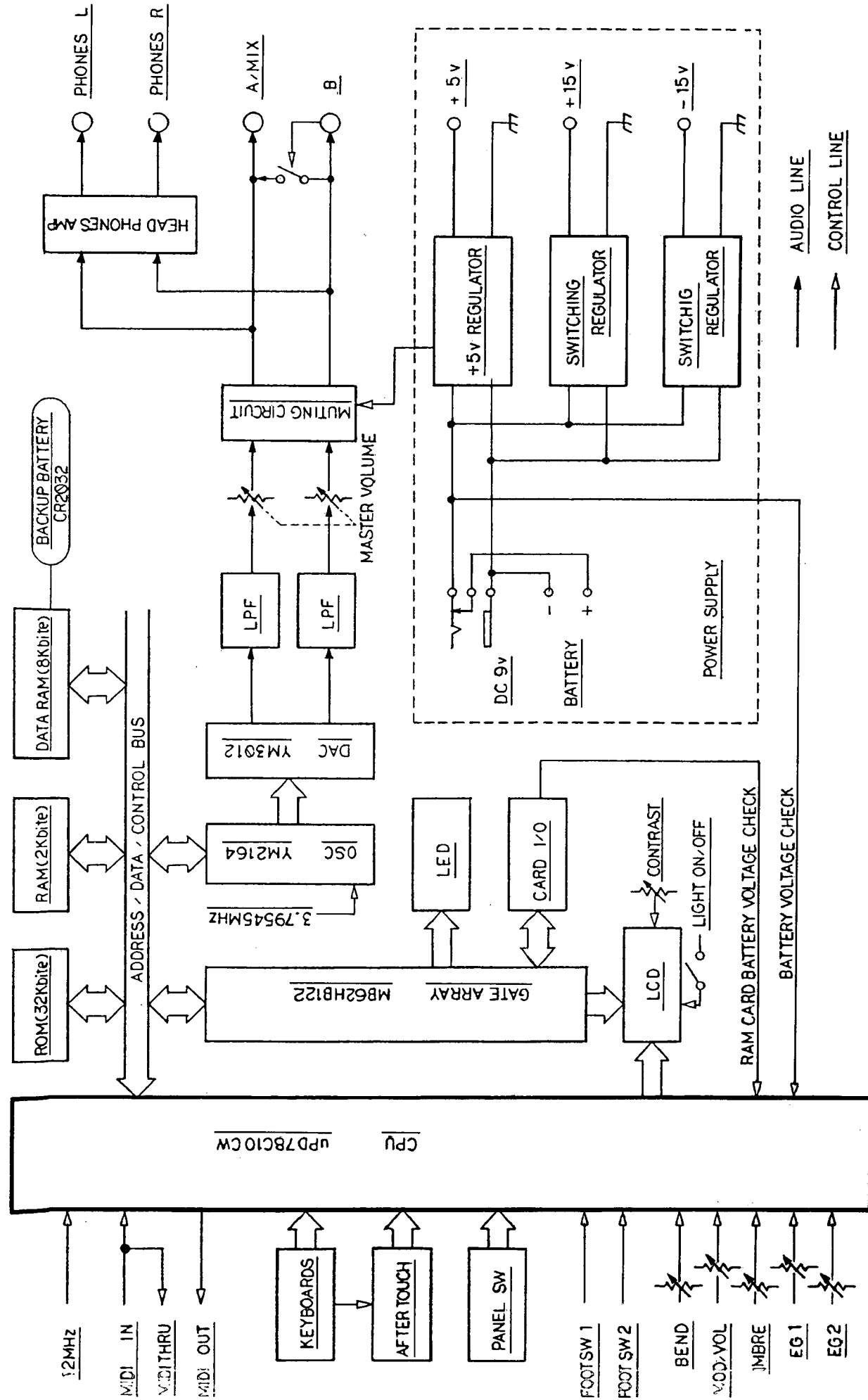
SD-1-a



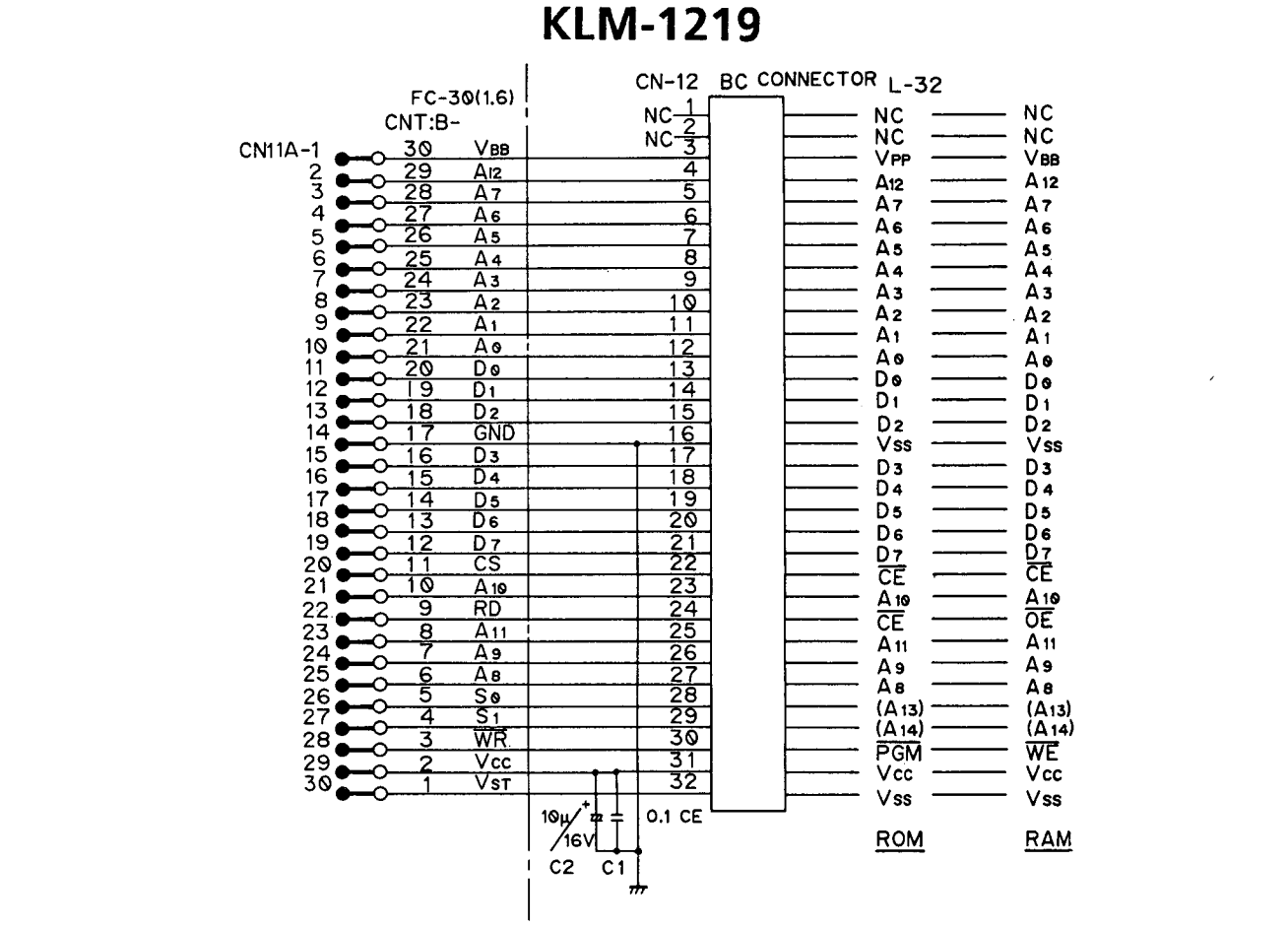
PART NO.	SCREWS	Q'TY
A	PLAX B ZMC 3x8	3
B	CT B BZMC 3x10	6
C	PLAX B BZMC 4x10	10
D	TP2G O N-3 3x25	2

PART NO.	PART NAME	PART CODE
1	LOWER CASE	
2	LCD WINDOW	630006000
3	BATTERY GUIDE	
5	STARAP PIN	644003600
6	RUBBER FEET	500008700
7	BATTERY COVER	
8	BATTERY CUSHION	500008800
4	SLIDE VR KNOB	
9	BATTERY TERMINAL (+)	640058101
10	BATTERY SPRING (-)	640058100
11	RIBON	540008100
12	CAUTION LABEL	
13	SHEET	

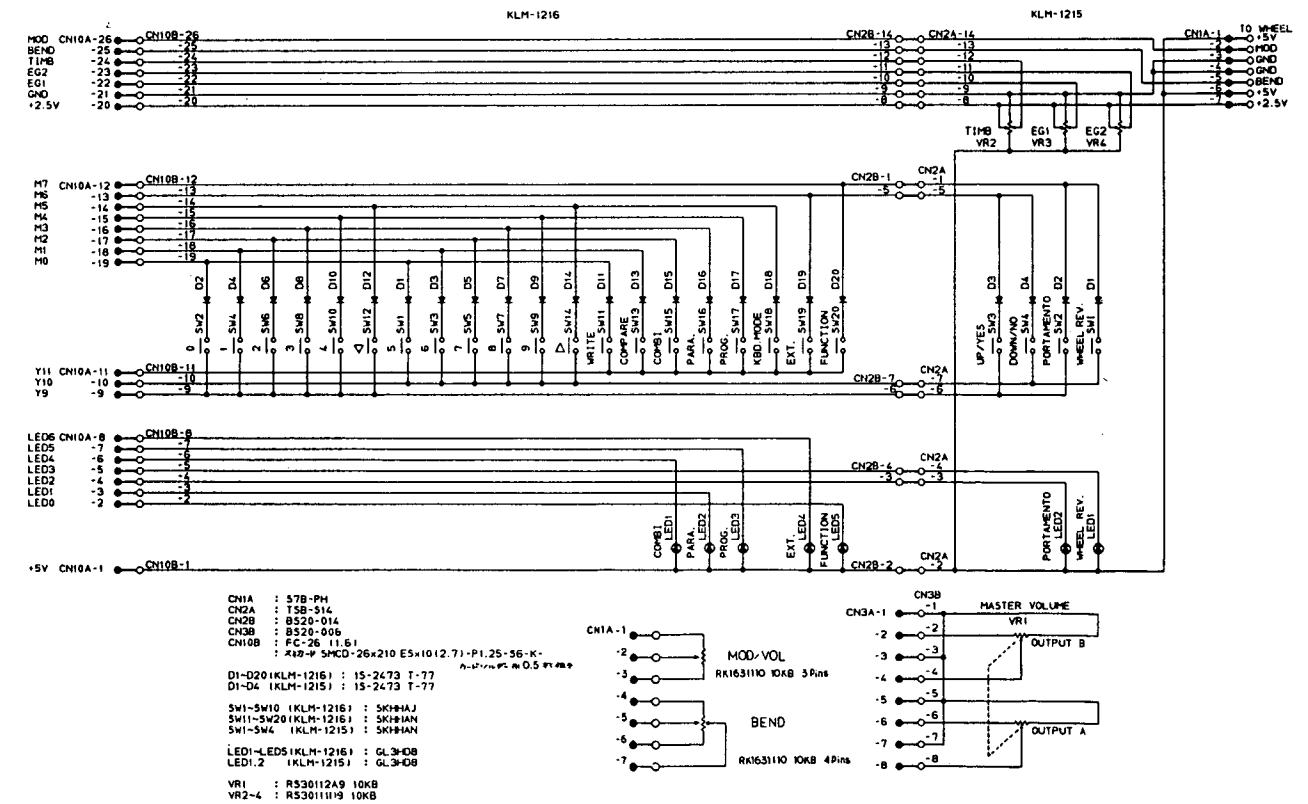
4. BLOCK DIAGRAM



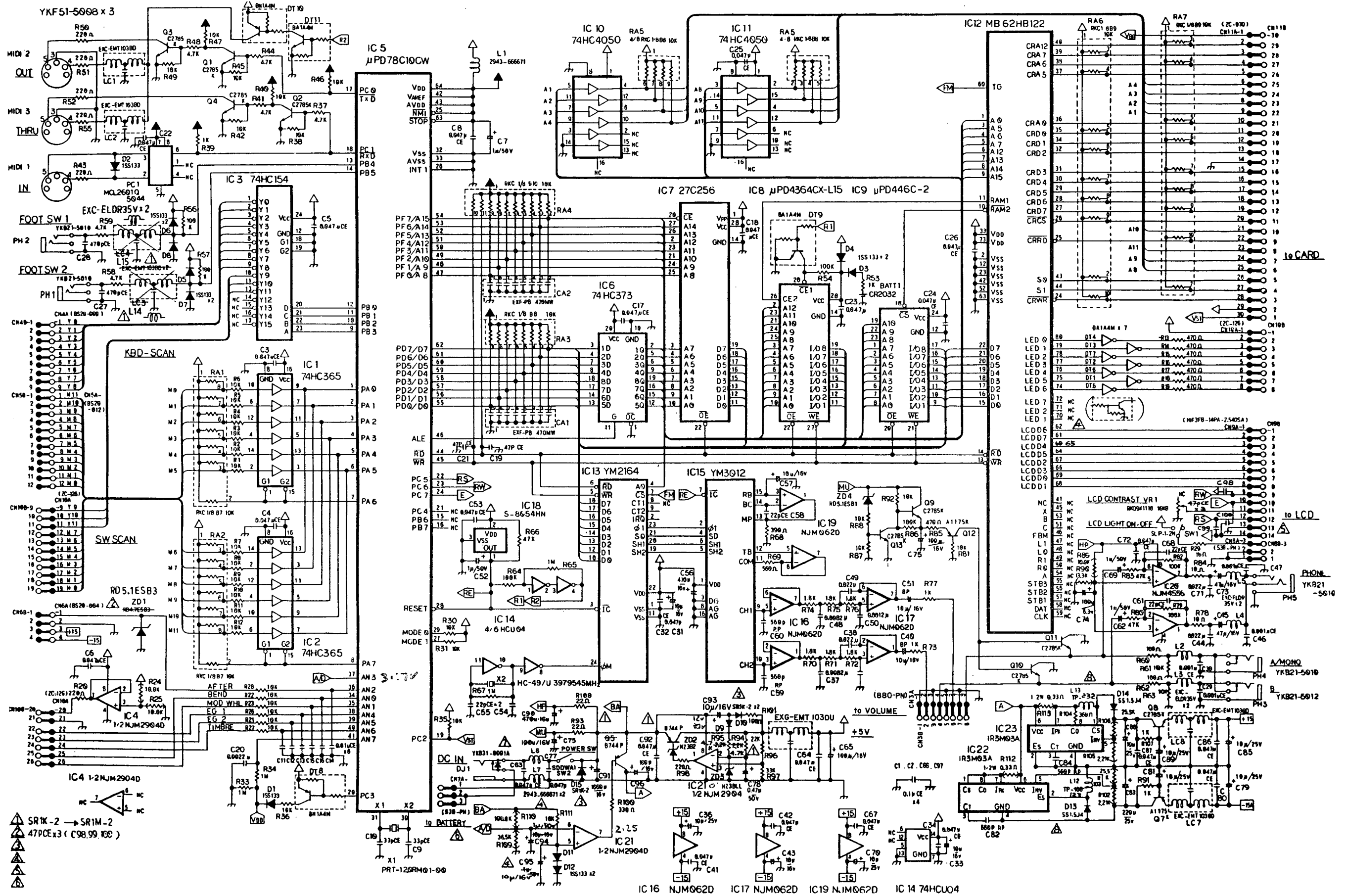
5. CIRCUIT DIAGRAM



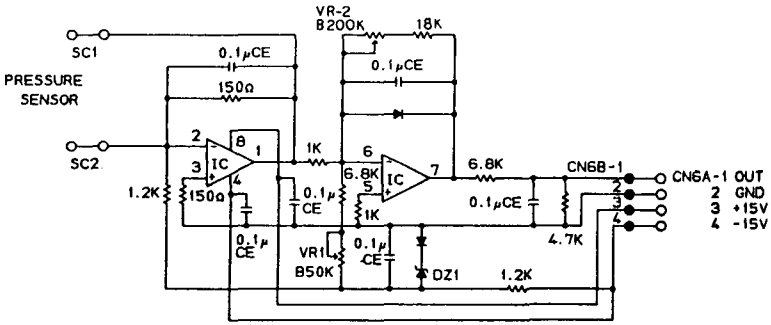
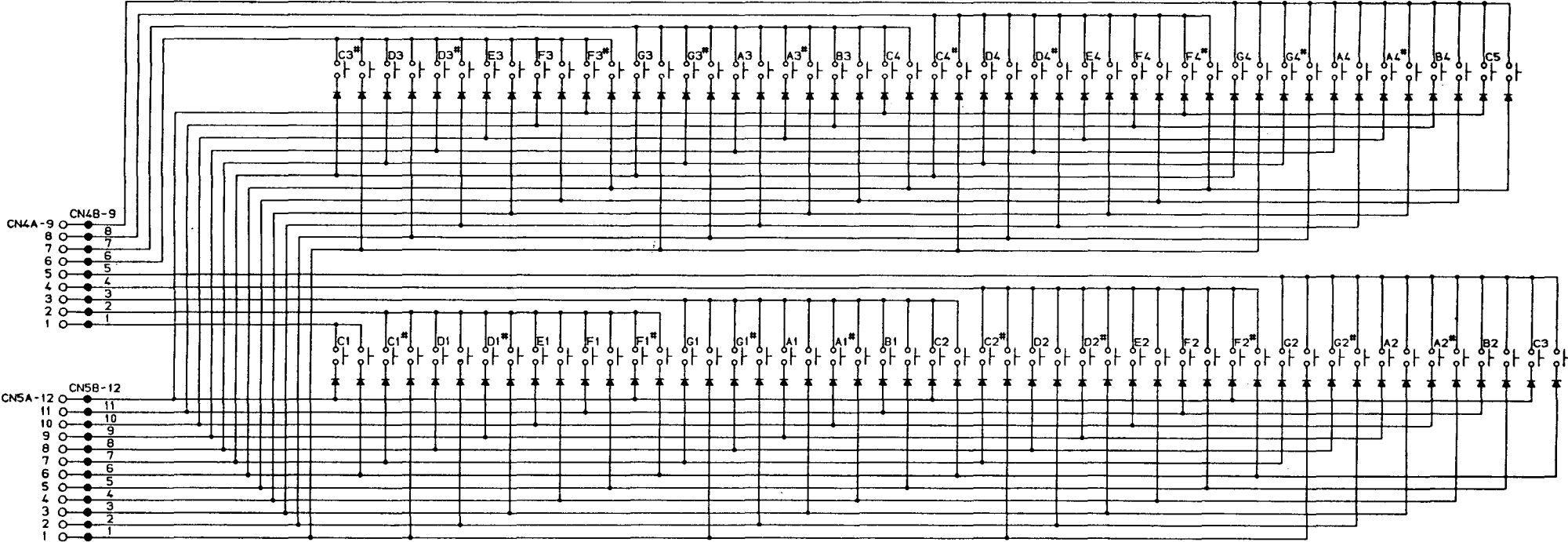
KLM-1215/16



KLM-1219



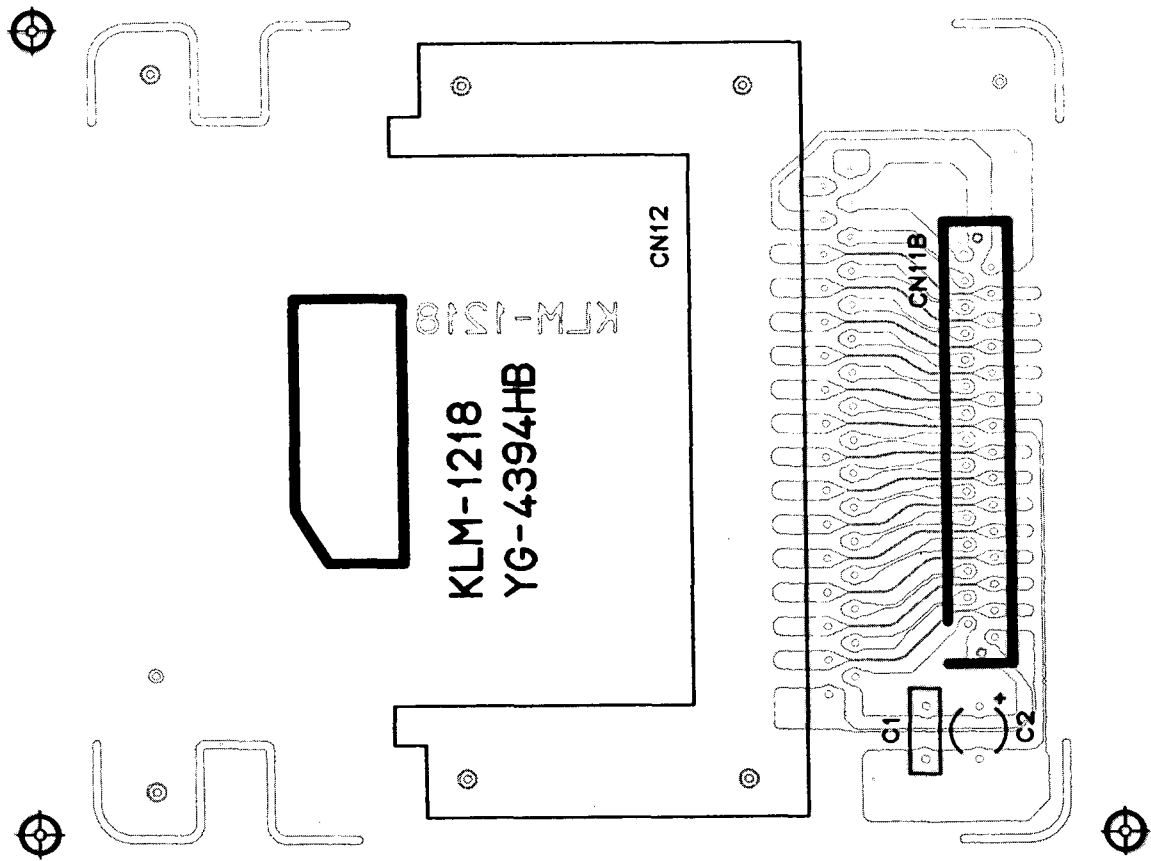
KEYBOARD



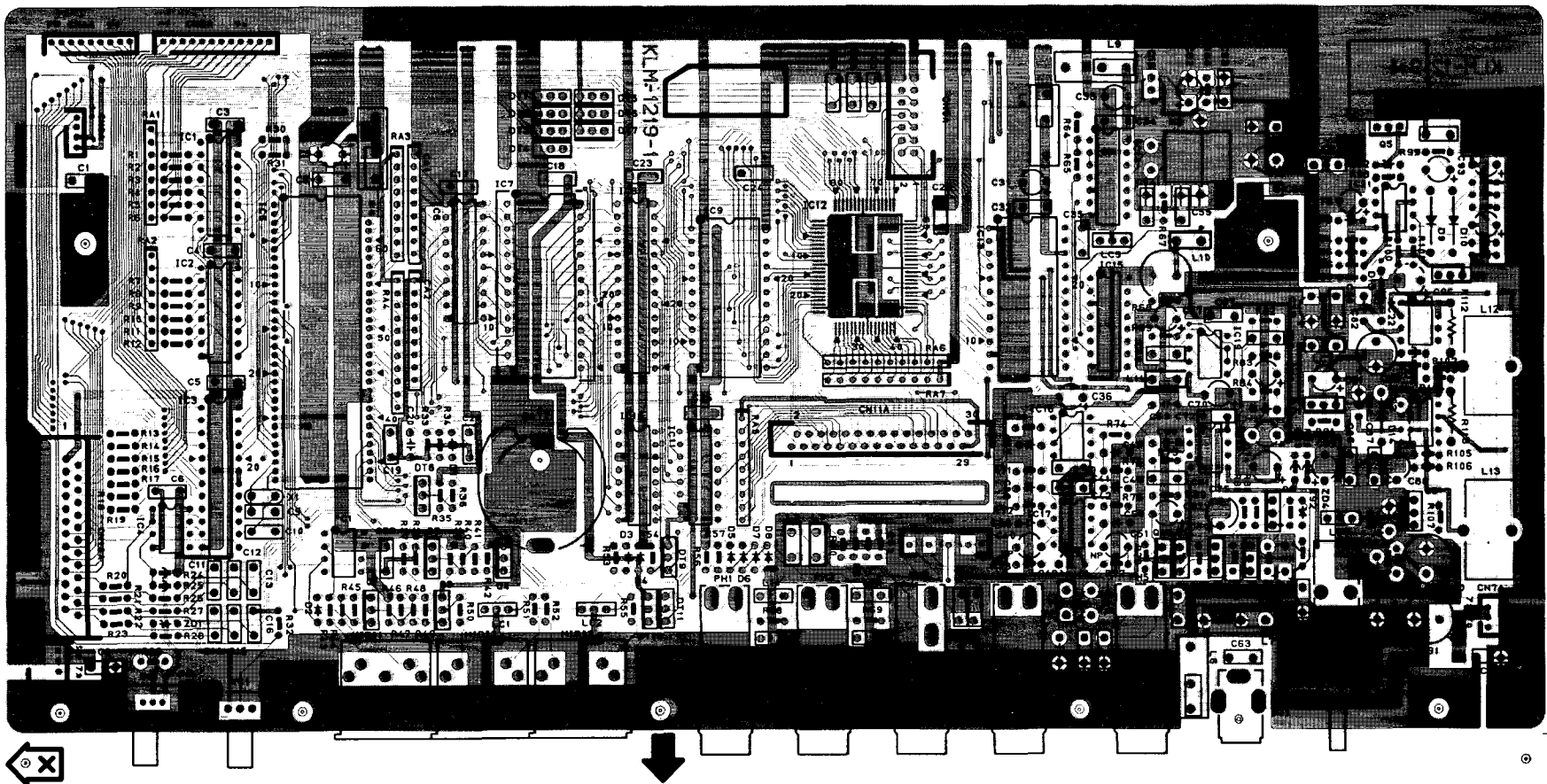
- CN4B : MOLEX 53014-0910
- CN5B : MOLEX 53014-1210
- CN6B : MOLEX 53014-0410
- SC1 : MOLEX 5598
- SC2 : MOLEX 5598
- IC : NJM45580V
- DIODE : 1SS133
- DZ 1 : MTZ 5.1B (T-72)

6.P.C. BOARD

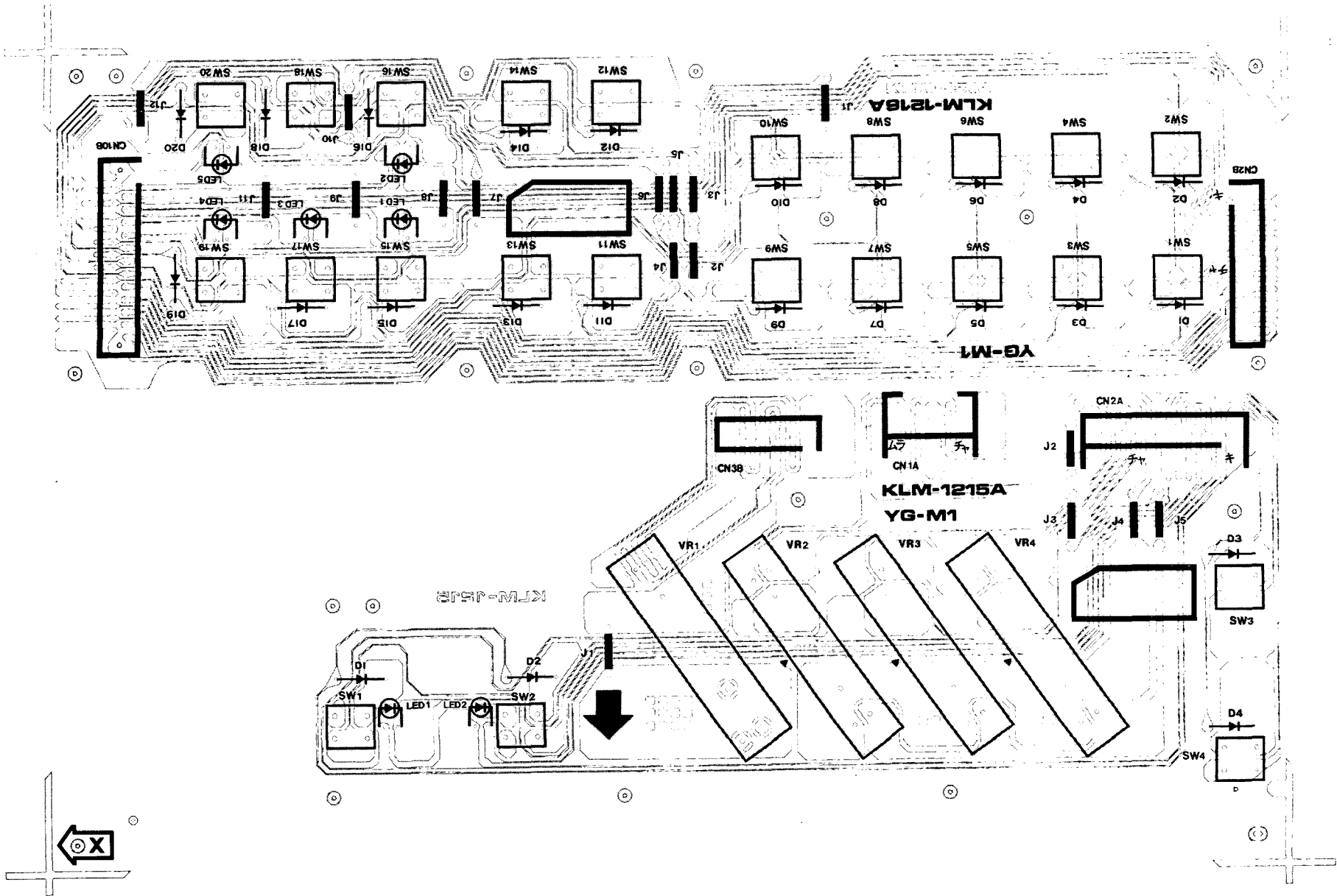
KLM-1218



KLM-1219



KLM-1215.1216



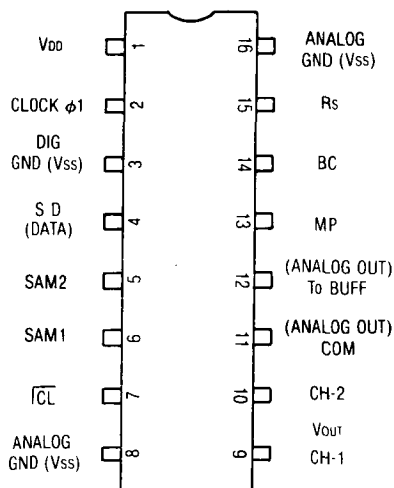
7. REFERENCE DATA

PIN FUNCTION OF 78C10

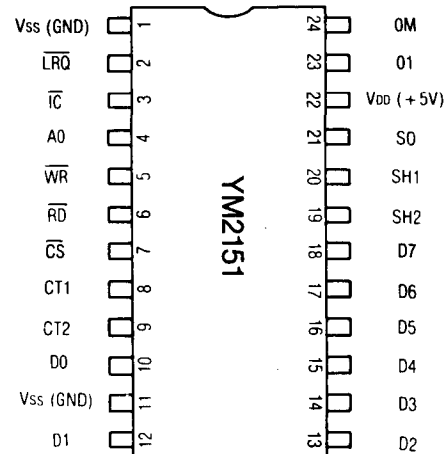
PORT	PIN NO.	FUNCTION
PORT A	0	1
	1	2
	2	3
	3	4
	4	5
	5	6
	6	7
	7	8
PORT B	0	9
	1	10
	2	11
	3	12
	4	13
	5	14
	6	15
	7	16

PORT C	0	17	TXD MIDI OUT
	1	18	RXD MIDI IN
	2	19	CARD V _{ST} (LOW ACTIVE)
	3	20	CARD BATTERY CHECK
	4	21	NC
	5	22	LCD { RS R/W E
	6	23	
	7	24	
AN	0	34	BEND WHEEL
	1	35	MOD WHEEL
	2	36	AFTER TOUCH
	3	37	BATTERY VOLTAGE
	4	38	EG1
	5	39	EG2/VALUE
	6	40	TIMBRE
	7	41	CARD BATTERY VOLTAGE

PIN FUNCTION of YM3012



PIN FUNCTION OF YM2151



PIN No.	SIGN	FUNCTION
1	Vdd	Bass Voltage (High-Level)
2	CLOCK	Clock (to Sift-register & Timing-Generator (O1))
3	DIG-Vss	Bass Voltage (Low-Level) for Digital Part
4	SD	Serial Input of Digital Signal (for Convert)
5	SAM2	CH2 Sampling Tern when This Pin is ON
6	SAM1	CH1 Sampling Tern when This Pin is ON This chip make Latch Signal from down edge of SAM1, SAM2
7	ICL	ON-Normal OFF-Same as S2 = S1 = 0, Sn = 1 in Spite of SD's Signal

PORT	I/O	FUNCTION
D0 ~ D7	I/O	Address/Data Bus
A0	I	Address/Data Select ("0": Address 1: Data)
WR	I	Write
RD	I	Read
CS	I	Chip Select
IC	I	Initial Clear
S0	O	Serial Output
SH1, SH2	O	Sample/Hold
OM	I	System Clock
O1	O	Clock For D/A
Vdd	I	+5V
Vss	I	GND

MEMORY MAP

0000H	ROM256K									
7FFF										
8000	DATA RAM 64K									
9FFF										
A000	CARD 64K									
BFFF										
C000	RAM 16K									
C7FF										
C800	X									
DFFF										
E000	FM OPERATOR DATA	E000H	D7	D6	D5	D4	D3	D2	D1	D0
E01F		E001H	YM 2164 ADDRESS YM 2164 DATA							
E020	X									
E03F										
E040	CARD BANK SELECT	E040H	S0	S1	X	X	X	X	X	X
E05F										
E060	LCD DATA	E060H	DATA							
E07F										
E080	LED DATA	E080H	X	XT	PROG	COMBI-NATION	WHEEL REV	PORTA-MENTO	PARA-METER	FUNC-TION
E09F										
E0A0	X									
FEFF										
FF00	CPU									
FFFF	INT RAM									

PARTS CODE	PARTS NAME SPECIFICATIONS	P.C. BOARD	IDENTIFICATION NO. FUNCTION	Q'TY
CARBON RESISTORS				
104016000	1/6JTP 0Ω	1219		5
104016210	1/6JY TP 10Ω			2
104016218	1/6JY TP 18Ω			1
104016222	1/6JY TP 22Ω			2
104016310	1/6JY TP 100Ω			3
104016322	1/6JY TP 220Ω			8
104016333	1/6JY TP 330Ω			1
104016336	1/6JY TP 360Ω			1
104016339	1/6JY TP 390Ω			1
104016347	1/6JY TP 470Ω			8
104016356	1/6JY TP 560Ω			1
104016410	1/6JY TP 1.0K			6
104016418	1/6JY TP 1.8K			6
104016447	1/6JY TP 4.7K			8
104016510	1/6JY TP 10K			36
104016522	1/6JY TP 22K			1
104016533	1/6JY TP 33K			1
104016547	1/6JY TP 47K			3
104016610	1/6JY TP 100K			7
104016710	1/6JY TP 1.0M			4
METAL FILM RESISTORS				
124214221	1/4TP 2.21K	1219		2
124215100	1/4TP 10.0K			3
124215133	1/4TP 13.3K			1
124215255	1/4TP 25.5K			2
124215365	1/4TP 36.5K			1
124216100	1/4TP 100K			1
BLOCK RESISTORS				
135007510	RKC1/8B7J 10K	1219		2
135008510	RKC1/8B8J 10K			2
135009510	RKC1/8B9J 10K			2
135010510	RKC1/8B10J 10K			1

PARTS CODE	PARTS NAME SPECIFICATIONS	P.C. BOARD	IDENTIFICATION NO. FUNCTION	Q'TY
METAL OXIDE RESISTORS				
174050033	1/2WJYT26 0.33Ω	1219		2
MYLAR CAPACITORS				
204002412	50V 0.0012UF K	1219		2
204002422	50V 0.0022UF K			1
204002482	50V 0.0082UF K			2
204002522	50V 0.022UF K			4
CERAMIC CAPACITORS				
213056101	25V 0.1UF	1218		1
214052220	50V 22PFTP	1219		5
214052330	50V 33PFTP			2
214052470	50V 47PFTP			5
214053470	50V 470 PF TP			2
214054100	50V 1000PF TP			4
214055100	50V 0.01UFTP			6
214055470	50V 0.047UFTP			26
214056100	25V 0.1UFTP			4
EMI FILTER				
219050800	EMT103-TP	1219		5
COIL				
219050900	EXC-ELDR35V-TP	1219		6
BLOCK CAPACITOR				
248015247	50V 47PRX8	1219		2
ELECTROLYTIC CAPACITORS				
235007210	16V10UF	1218		1
235007410	16V 1000UF	1219		1

16

PL-1-a

PARTS CODE	PARTS NAME SPECIFICATIONS	P.C. BOARD	IDENTIFICATION NO. FUNCTION	Q'TY
ELECTROLYTIC CAPACITORS				
254001310	6.3V100UF	1219		1
254003210	16V 10UF			5
254003247	16V 47UF			2
254003310	16V 100UF			4
254003347	16V 470UF			2
254004210	25V 10UF			8
254004322	25V 220UF			1
254006047	1 50V 0.47UF			1
254006110	50V 1UF			5
254063210	16V 10UF			2
PPC				
264001356	PPC 100V 560PF G	1219		4
TRS				
301000329	TR 2SB744 A P	1219		2
304000020	TR 2SA1175 TK			2
304020020	TR 2SC2785 T K			9
304020100	TR BA1A4M-T			9
304020110	TR BN1A4M-T			2
LED				
312007800	GL3HD8	1215/1216		7
		1215		2
		1216		5
LCD				
313001200	LM202A02			1

PARTS CODE	PARTS NAME SPECIFICATIONS	P.C. BOARD	IDENTIFICATION NO. FUNCTION	Q'TY
DIODES				
310002100	SR1M-2	1219		3
310030100	SS1.5J4			2
314000300	1S-2473 T-77	1215/1216		24
		1215		4
		1216		20
314001300	1SS-133 T-77	1219		10
ZENER DIODES				
314022900	HZ-3BLL-TD	1219		1
314023000	HZ-3B2-TD			1
314023900	RD5.1ESB1-T			1
314024000	RD5.1ESB3-T			1
ICS				
320001068	IC UPD74HCU04VC	1219		1
320001113	IC UPD78C10CW			1
320001123	IC UPD27C256D-15			1
320001130	IC UPD4364CX-15K	1219	GATE ARRAY	1
				1
				1
				1
				1
				2
				1
				2
				1
				1
				3
				2
				1
				2
320012037	MB62HB122			1
320013008	IC IR3M03A			2
320015002	IC YM2164			1
320015006	IC YM3012			1
320023005	IC S-8054HN			1

PARTS CODE	PARTS NAME SPECIFICATIONS	P.C. BOARD	IDENTIFICATION NO. FUNCTION	Q'TY
PHOTO COUPLER				
330001300	MCL2601Q5044			1
CERAMIC OSCILLATORS				
335002500	PRT-12.0RM01-00			1
335003800	HC-49/U 3.579545MHZ			1
P. C. BOARDS				
343012150	KLM-1215/1216	1215/1216		1
343012180	KLM-1218	1218		1
343012190	KLM-1219	1219		1
VRS				
360021200	VR K091B0Z1R 10KB	1219		1
362005100	VR RK1631110RW5A 10KB			1
362005200	VR RK1631110RW6A 10KB			1
SLIDE VRS				
365008200	RS30112A900KA 10KB(DC)	1215/1216	VOLUME.	1
		1215		1
365008300	RS30111D900AA 10KB(DC)	1215/1216		3
		1215		3
SLIDE SWS				
373006600	SLP-1-2N	1219		1
TACT SWS				
375007500	SKHHAN	1215/1216		14
		1215		4
		1216		10
375008500	SKHHAJ	1215/1216		10
		1216		10

PARTS CODE	PARTS NAME SPECIFICATIONS	P.C. BOARD	IDENTIFICATION NO. FUNCTION	Q'TY
POWER SW				
375009400	POWERSW SDDWA1433B	1219		1
COIL W/LEAD				
402002800	2943-666671	1219		3
COILS				
402002900	TP-127	1219		1
402003000	TP-232			1
AC ADAPTOR				
405003000	KAC-305		240AU	1
405003100	KAC-306		240GE	1
			240UK	1
405003200	KAC-307		240AF	1
405003300	KAC-308		220GE	1
			220SE	1
			220WG	1
			220SC	1
			220FR	1
405007000	KAC-303A		117US	1
			117CN	1
			117EX	1
KEYBOARD				
420003900	VE-58260			1
PHONE JACKS				
454004300	YKB21-5012	1219		1
454004400	YKB21-5010			4
454004700	YKB31-0001			1

PARTS CODE	PARTS NAME SPECIFICATIONS	P.C. BOARD	IDENTIFICATION NO. FUNCTION	Q'TY
DIN JACK				
454005400	YKF51-5008			3
CONNECTORS (TOP)				
471070300	B3B-PH			1
471070800	B8B-PH			1
CONNECTORS (SIDE)				
472070300	S3B-PH			1
472070700	S7B-PH	1215/1216		1
		1215		1
CARD FIT CONNECTORS				
474004723	ZC-126	1219		1
474004724	ZC-030			1
B. C. CONNECTOR				
474009900	L-32	1218		1
HEADER				
474010500	HIF3FB-14PA-2.54DSA	1219		1
CONNECTORS				
474011100	FC-26(1.6)	1215/1216		1
		1216		1
474011110	FC-30(1.6)	1218		1

PARTS CODE	PARTS NAME SPECIFICATIONS	P.C. BOARD	IDENTIFICATION NO. FUNCTION	Q'TY
HARNESS				
475001052	HNS-1052			1
475001053	HNS-1053	1215/1216		1
		1215		1
475001054	HNS-1054	1215/1216		1
		1215		1
475001055	HNS-1055	1219		1
475001056	HNS-1056			1
475001057	HNS-1057			1
475001058	HNS-1058			1
IC SOCKET				
480001283	28P DICF-28CS-E	1219		1
RUBBER FEET				
500008700				2
BATTERY CUSHION				
500008800	16 x 30 x 4			1
BATTERY				
520001100	SUM2DGB			6
LITHIC BATTERY				
520001700	CR2032			1
		1219		1
WIRE BAND				
540007200				4
RIBON				
540008100				1

PARTS CODE	PARTS NAME SPECIFICATIONS	P.C. BOARD	IDENTIFICATION NO. FUNCTION	Q'TY
HARNESS				
545020260	SMCD26 × 210ES × 10 (2.7)P1.25-S6K	1215/1216		1
545026270	SMCD30 × 160ES × 10 (2.7)P1.25-S6-K	1216 1218		1 1
RADIATOR				
560004900	MTC-004	1219		1
TF RUBBER				
565000800	13 × 14.5 × 0.3			1
LED SPACER				
575013900		1215/1216 1215 1216		7 2 5 1
CAUTION LABEL				
580025200				1
SHEET				
580025700				1

PARTS CODE	PARTS NAME SPECIFICATIONS	P.C. BOARD	IDENTIFICATION NO. FUNCTION	Q'TY
CONNECTION CORD				
602001302			220GE 220SE 240GE 240AU 240AF 220WG 117US 117CN 117EX 220SC 220FR 240UK	1 1 1 1 1 1 1 1 1 1 1 1
POWER SW KNOB				
620018200				1
SLIDE VR KNOB S				
620018801			BK BL WH RD	4 4 4 4
620018802				
ROUND KNOBS				
620018900	NO. 1WS			2
620019000	NO. 2WS			3
NUMBER SW KNOB S				
620019101			BK BL WH RD	1 1 1 1
620019102				

PARTS CODE	PARTS NAME SPECIFICATIONS	P.C. BOARD	IDENTIFICATION NO. FUNCTION	Q'TY
LCD WINDOW				
630006000				1
PAPAMETER SHEET				
630006200				1
BATTERY SPRING (-)				
640058100				1
BATTERY TERMINAL (+)				
640058101				1
CARD SUPPORTER				
640088700				1
JACK PLATE				
640088800				1
STRAP PIN PLATE				
640088900				2
METAL FITTING OF WHEEL				
640089000				1
P. C. B SUPPORTER				
640089100				2
SUPPORT RAIL				
640089200				1
WHEEL SPRING				
640089900				1

PARTS CODE	PARTS NAME SPECIFICATIONS	P.C. BOARD	IDENTIFICATION NO. FUNCTION	Q'TY
STRAP PIN				
644003600				2
BATTERY COVERS				
646021103			BK	1
646021104			WH	1
646021105			RD	1
			BL	1
BATTERY GUIDE S				
646021203			BK	1
				1
646021204			WH	1
646021205			RD	1
			BL	1
CARD ESCUTCHEON				
646023200				1
WHEELS				
646026201				2
			BK	2
646026202			WH	2
646026203			RD	2
646026204			BL	2
UPPER CASES				
646026501				1
			BK	1
646026502			WH	1
646026503			RD	1
646026504			BL	1

PARTS CODE	PARTS NAME SPECIFICATIONS	P.C. BOARD	IDENTIFICATION NO. FUNCTION	Q'TY
LOWER CASES				
646026601			BK	1
646026602			WH	1
646026603			RD	1
			BL	1
LITHIC BATTERY HOLDER				
649007400		1219	JP	1
				1
				1
				1
SERIAL NO				
685099999				1
				3
				1
SCERWS				
715230308	CT B ZMC 3x8	1219		13
				1
715230408	CT B ZMC 4x8			3
715260310	CT B BZMC 3x10			6
722010325	TP2G O N-3 3x25			2
745030308	PLAX B ZMC 3x8			35
745060410	PLAX B BZMC 4x10			10
NUT				
773030700	VN ZMC 7			2

LITIUMPARISTO

Pariston saa vaihtaa ainoastaan huoltohenkilöstö saman valmistajan vastaavalla tyyppillä. Virheellisestä käsittelystä syntyy räjähdysvaara.

VARNING

Denna apparat har LITHIUM BATTERI. Byte av batteri får endast ske av fackman. Felaktig hantering kan förorsaka explosion. Vid byte får endast batteri av samma typ och fabrikat monteras.

ADVARSEL

Dette produktet inneholder lithium batteri som bare må skiftes ut av kvalifisert personell. Ukyndig behandling kan forårsake eksplosjon. Batteriet må erstattes av samme type fra samme produsent.

ADVARSEL

Lithiumbatteri. Eksplosionsfare. Udskiftning må kun foretages af en sagkyndig, og om beskrevet i servicemanualen.

KORG

KORG INC. 15-12, Shimotakaido 1-chome, Suginami-ku, Tokyo 168

MEMO