

SERVICE MANUAL

CONCERT XC-1000

CONCERT XC-2000

CONCERT XC-3000if

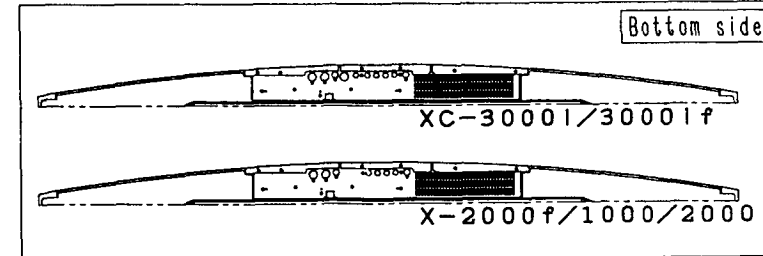
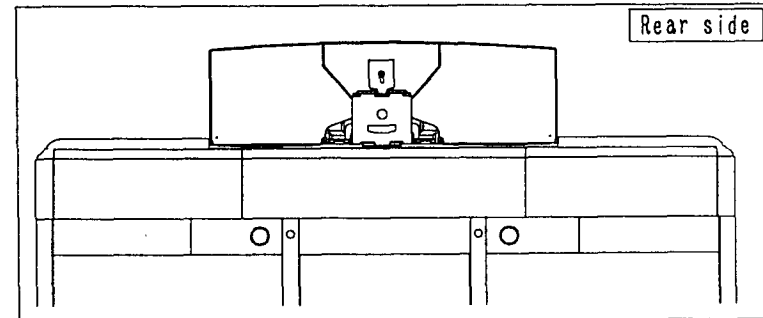
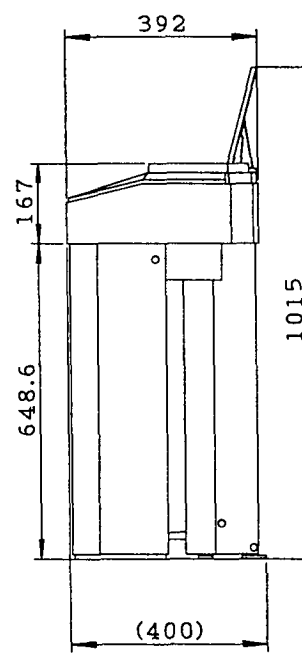
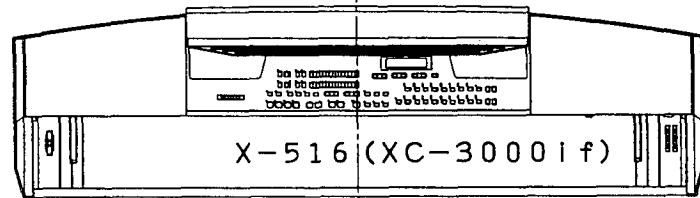
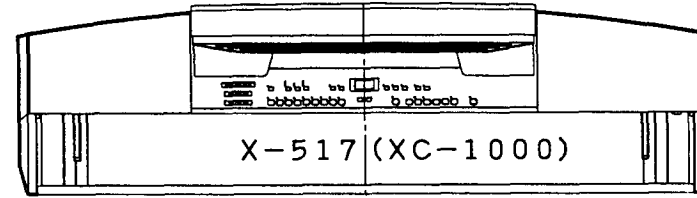
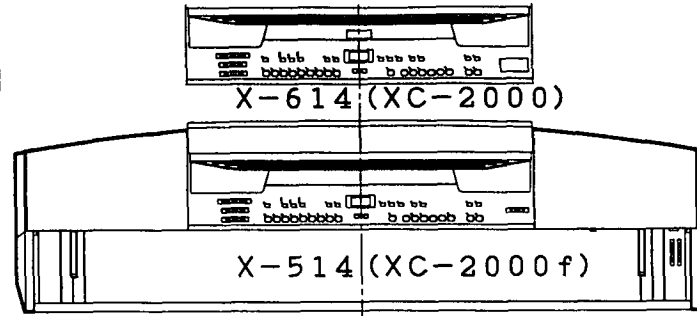
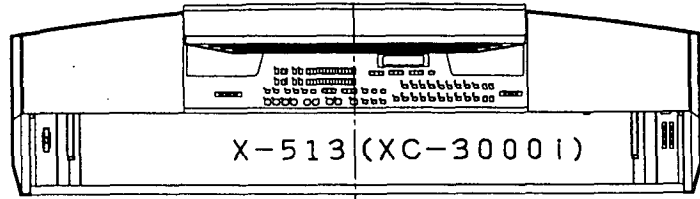
CONTENTS

1. DISASSEMBLY	2
2. BLOCK DIAGRAM	13
3. CIRCUIT DIAGRAM	16 & Insertion
4. PARTS LIST	24

KORG

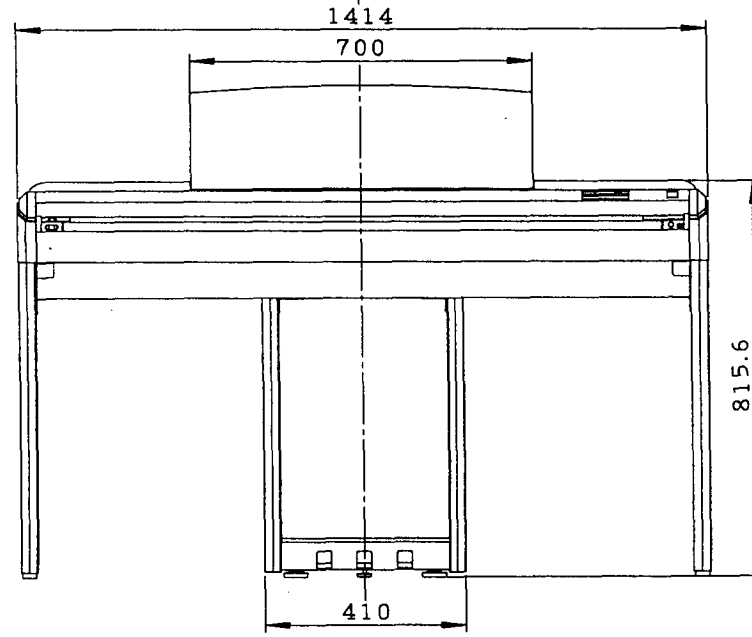
1. DISASSEMBLY

Upper side



Weight	
XC-3000i	42.7Kg
XC-3000if	42.6Kg
XC-2000f	42.6Kg
XC-1000	37.3Kg
ST-3000	11.6Kg

2

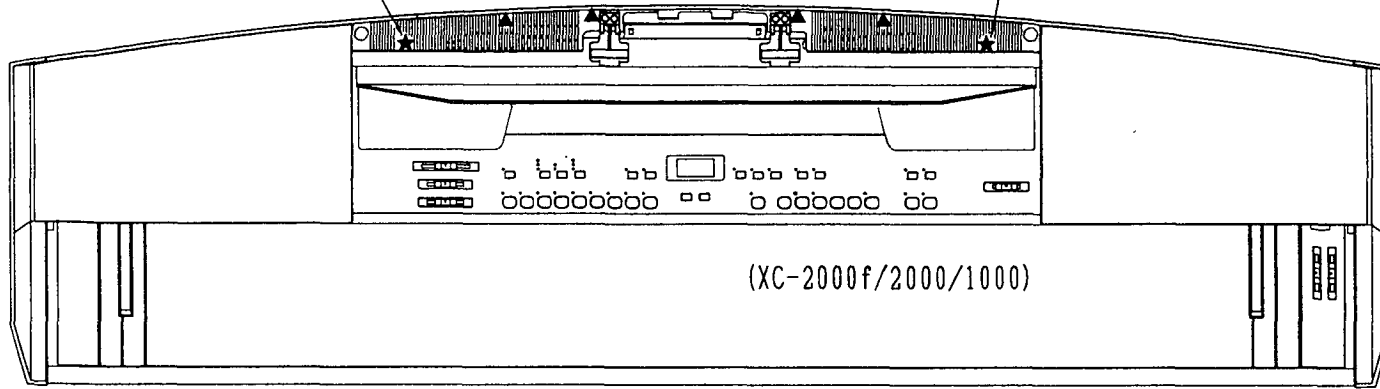


Front

Right side

(XC-1000 only)
CT B BZMC 4*10

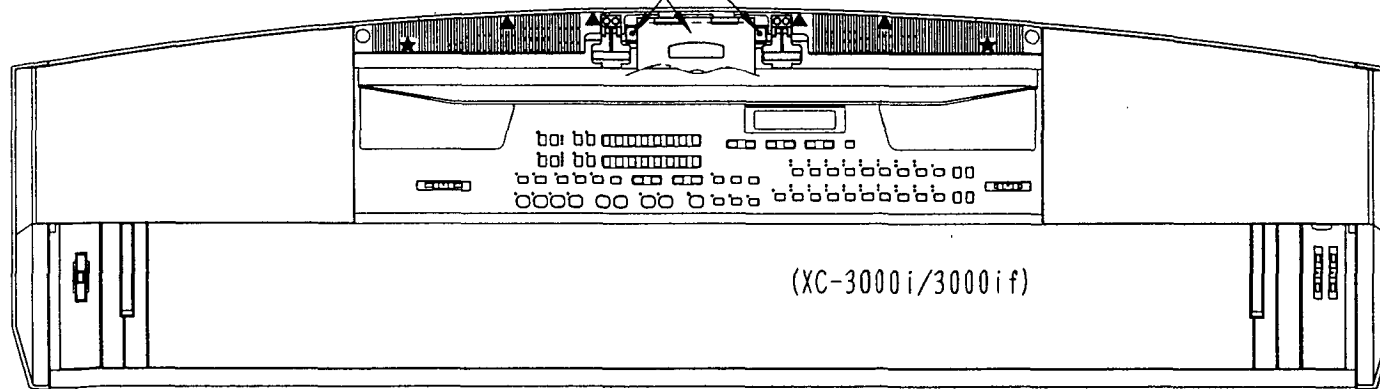
(XC-1000 only)
CT B BZMC 4*10



MUSIC-STAND-HINGE

▲ BT B BZMC 4X10
*for music stand plate ass'y

3



1. Remove 2pcs. of the screws
and remove the music stand plate ass'y.

2. Remove 6pcs. of the screws
on the upper case ass'y.

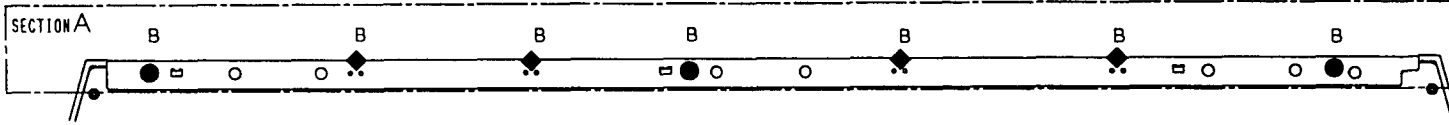
XC-1000
XC-3000i/2000f/3000if/2000

★	CT B BZMC 4×10	2
★	BT B BZMC 4×16	2
▲	BT B BZMC 4×10	6
MARK	SCREWS	Q'ty

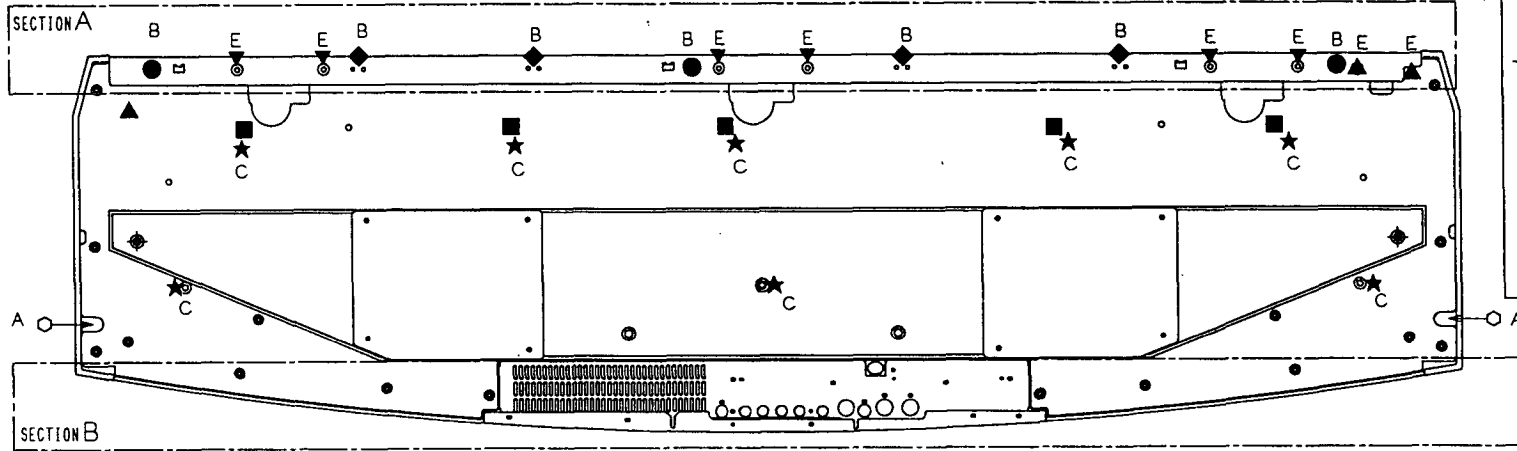
KORG-XC-SERIES SERVICE-MANUAL-2/11

UPPER SIDE VIEW

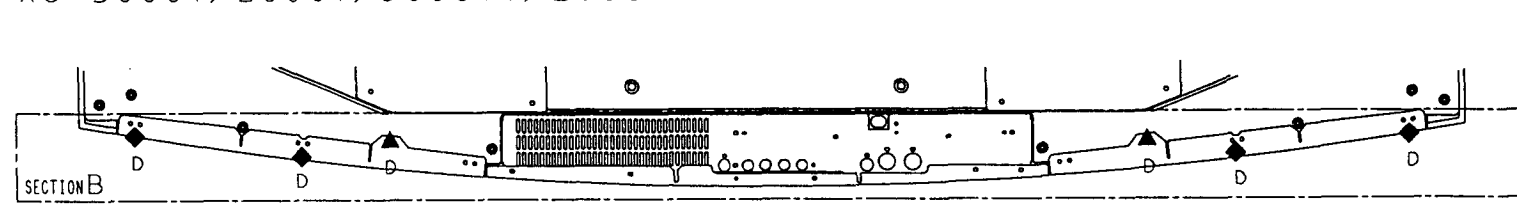
XC-3000if/1000/2000



XC-3000i/2000f

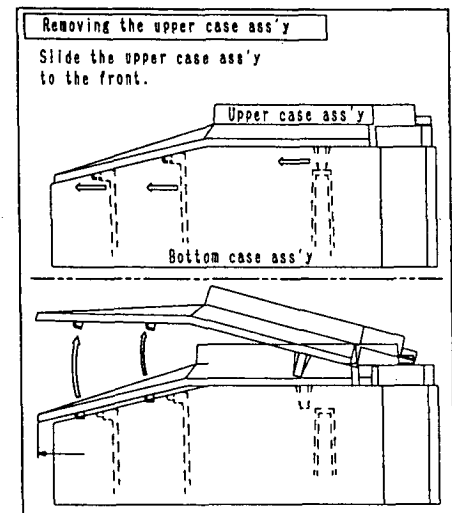


XC-3000i/2000f/3000if/2000



XC-1000

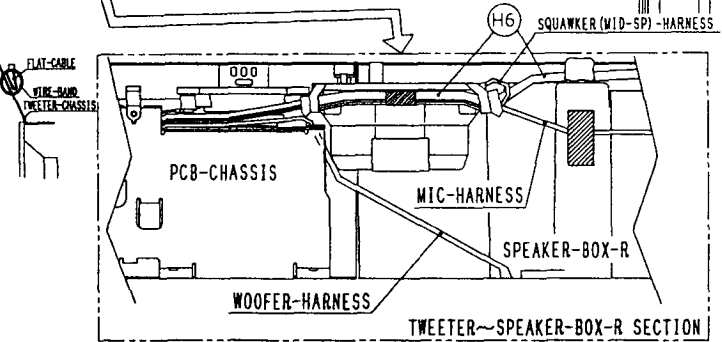
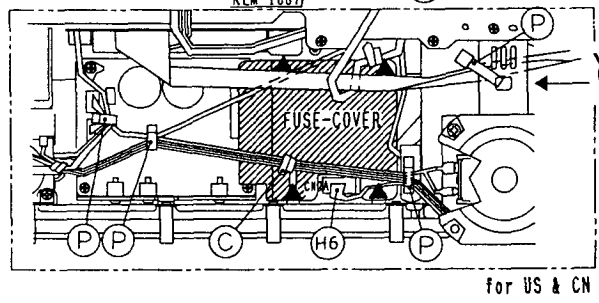
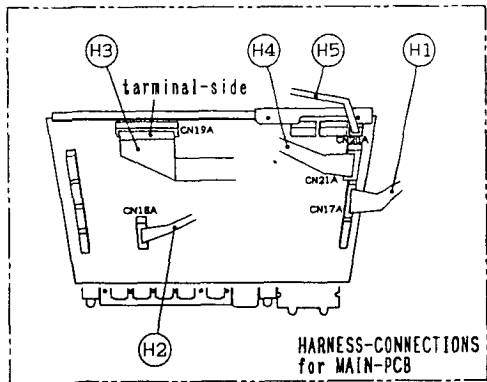
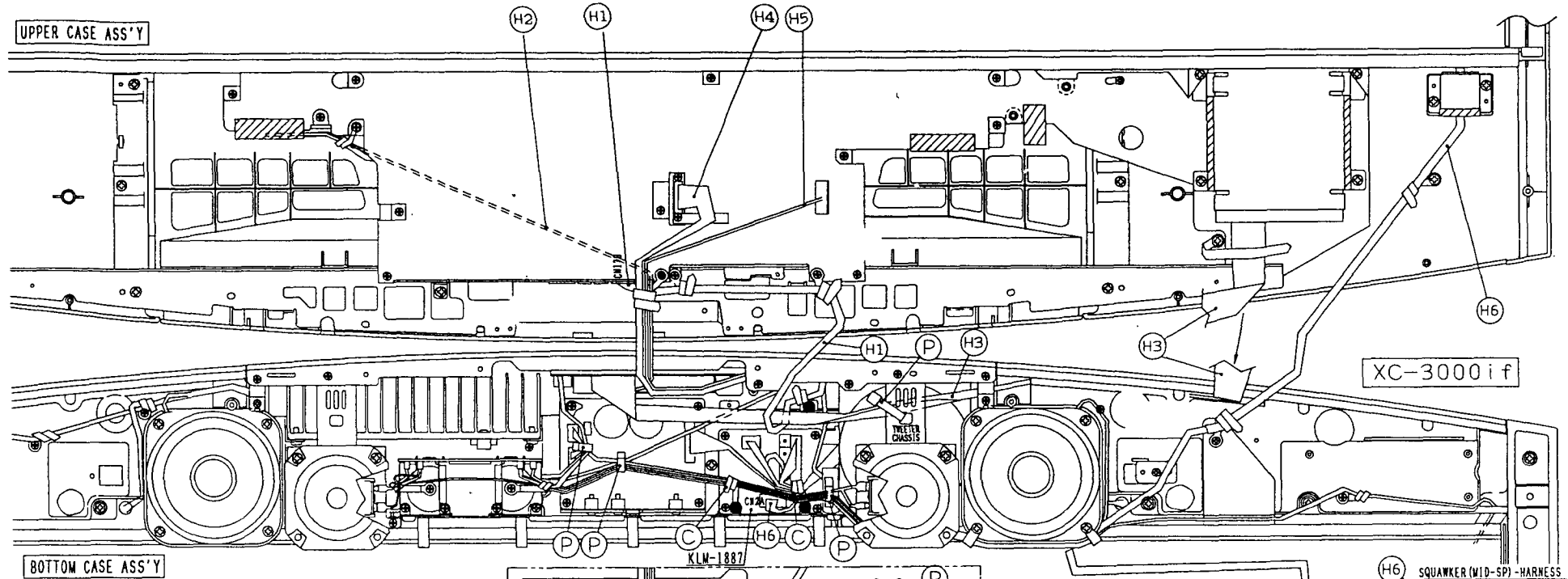
○	BT	B BZMC 4×16	2	2	2	2
◆	TP1	B BZMC 3×10	4	4	4	8
▽	TP2G	B BZMC 4×25	6	6		
■		METAL-STOPPER	5	5	5	5
★	FE	WSE1 ZMC 4×25	8	8	8	8
▲	FE	FEW BZMC 4×18	3	3	1	3
●	FE	FEW BZMC 4×14	3	3	3	3
MARK		SCREWS	Q'ty	Q'ty	Q'ty	Q'ty
	MODEL→		XC-3000i	XC-2000f	XC-3000if	XC-1000 XC-2000



- * For the upper case ass'y screwA (ALL MODEL)
- * For the front bar screwB (ALL MODEL)
- * For the keyboard ass'y screwC (ALL MODEL)
- * For the rear-panel-L & rear-panel-R screwD (XC-1000)
- * For the keyboard ass'y (KeyWeightControl) screwE (XC-3000i/2000f)

KORG-XC-SERIES SERVICE-MANUAL-3/11

BOTTOM SIDE VIEW



HARNESS TABLE

MARK	INS	COLOR	MARK	PARTS
(H1)	2364	GRN.ORG.AL	(H4)	LCD FLAT CABLE
(H2)	2338	WHT.REO.BLK	(H5)	LCD HARNESS
(H3)	2412	WHT.AL	(H6)	POWER SW HARNESS

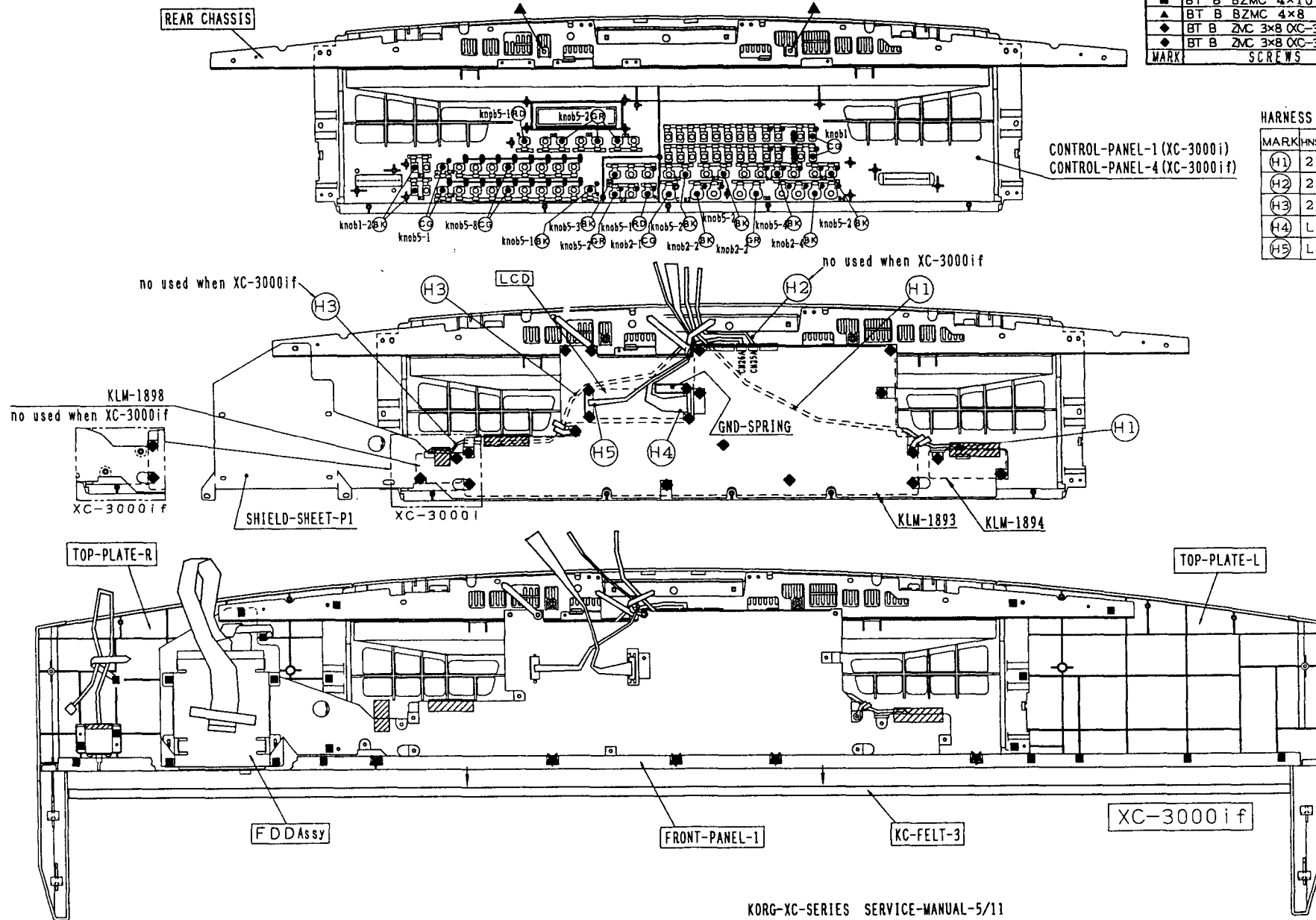
AL--aluminum sheet

⊙	WIRE-BAND	
⊙	SPIRAL-CLIP	
MARK	PARTS	
▲	BT B BZMC 3x8 (US,CN)	4
●	BT B BZMC 3x8 (others)	3
MARK	SCREWS	Q'ty

HARNESS CONNECTIONS

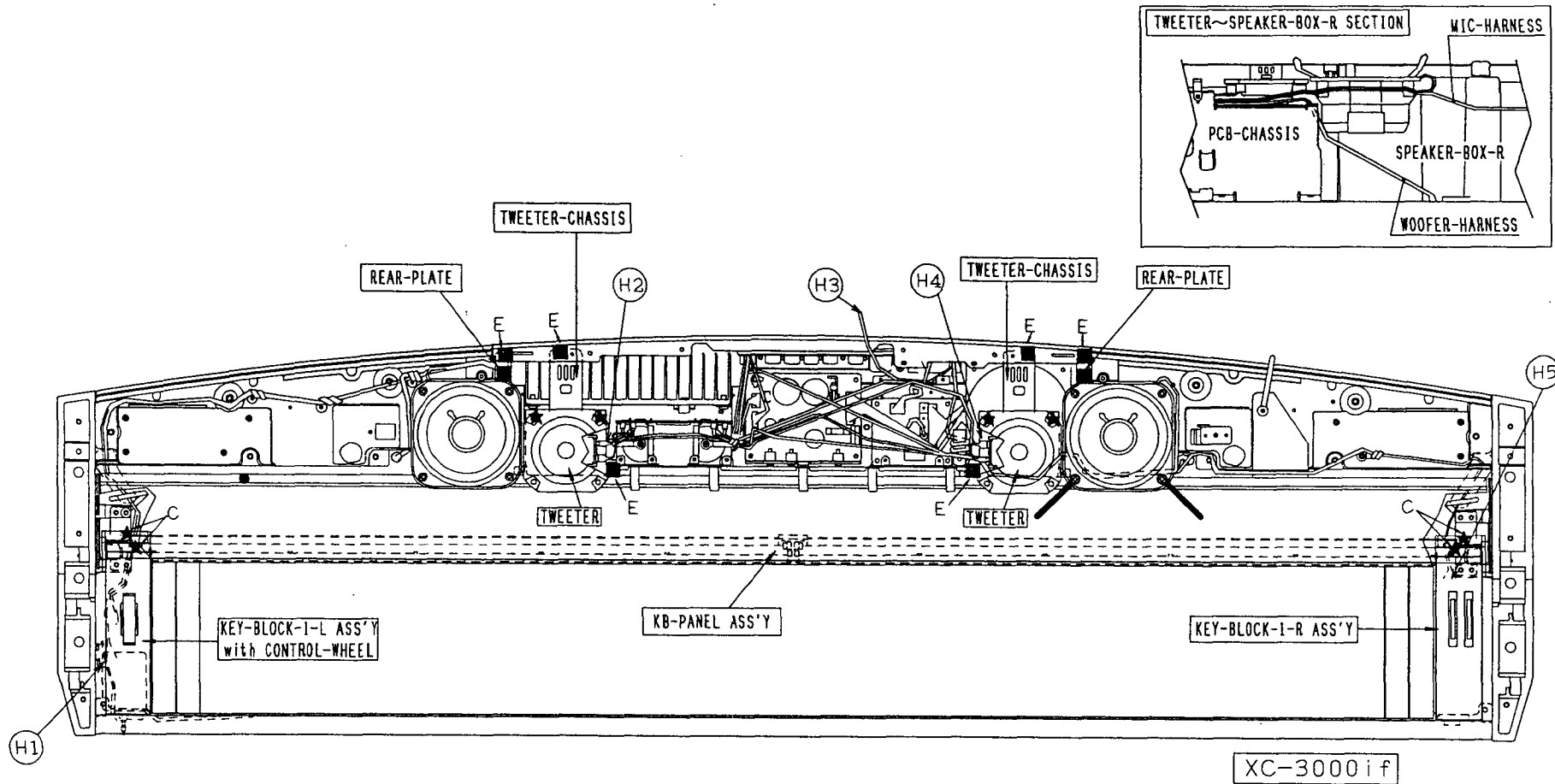
★	BT B BZMC 3×8	5
■	BT B BZMC 4×10	22
▲	BT B BZMC 4×8	2
◆	BT B ZVC 3×8 (XC-3000if)	21
◆	BT B ZVC 3×8 (XC-3000i)	22
MARK	SCREWS	Qty

MARK	HNS-***	COLOR
(H1)	2338	WHT, RED, BLK
(H2)	2341	GRN, WHT, BLK
(H3)	2346	YLW, WHT, BLK
(H4)		LCD FLAT CABLE
(H5)		LCD HARNESS



KORG-XC-SERIES SERVICE-MANUAL-5/11

UPPER CASE VIEW



HARNESS TABLE

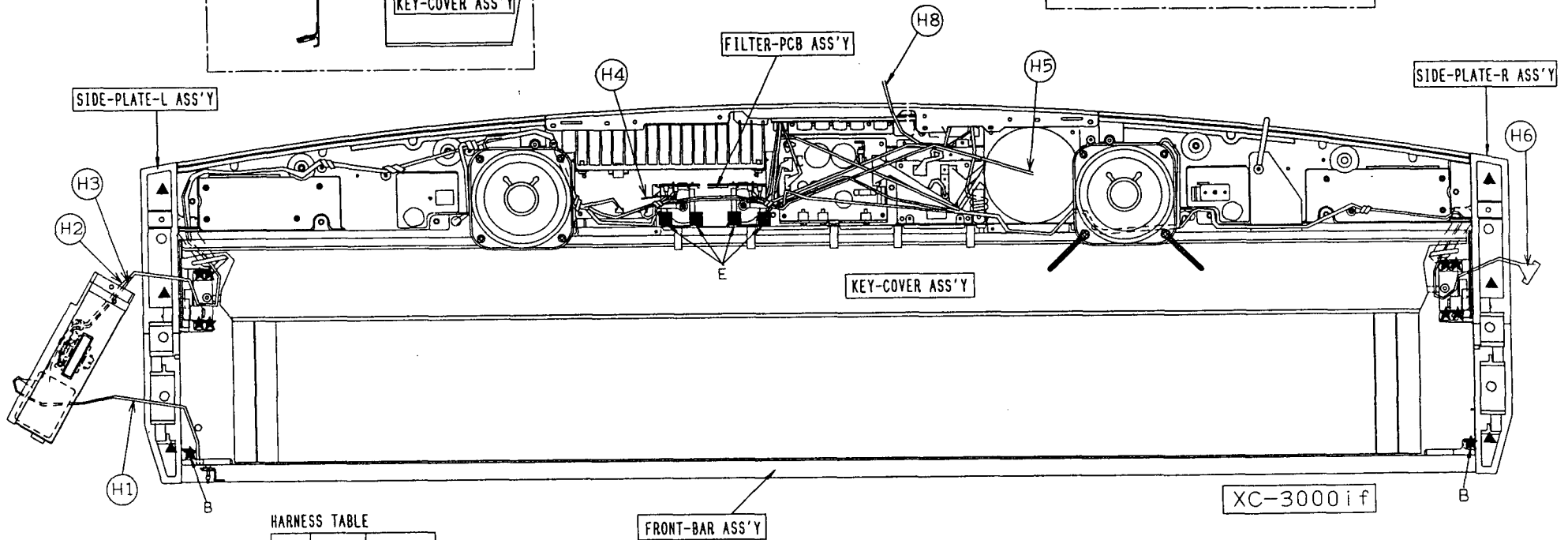
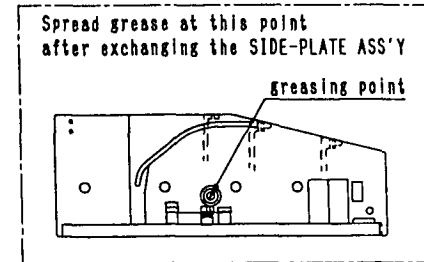
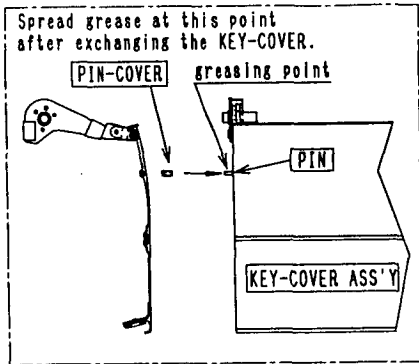
MARK	INS	****	COLOR
H1	2373		BRN, GRN
H2	2348		BLK, GRN
H3	2337		GRN, ORG, AL
H4	2364		GRN, ORG, AL
H5	2349		BLK, ORG
	2345		WHT, BLK, RED Y/W

U-4 lot only
U-5 lot and later

AL—aluminum sheet

■	BT	B	BZMC	3×8	8
★	BT	B	BZMC	4×10	8
MARK	SCREWS				Q'ty

* for KEYBOARD ASS'Y SCREW C
* for PCB ASS'Y screw E



HARNESS TABLE

MARK	INS-****	COLOR
(H1)	2373	BRN, GRN
(H2)	2344	PRPL, GRN
(H3)	2342	YLW, ORG, ORG WHT, BLK, RED
(H4)	2348	BLK, GRN
(H5)	2349	BLK, ORG
(H6)	2345	WHT, BLK, RED YLW
U-4 lot	2337	GRN, ORG, AL
(H8) U-5 lot	2364	GRN, ORG, AL

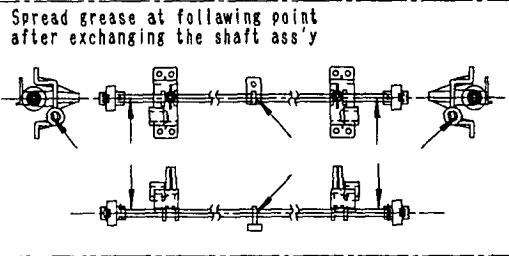
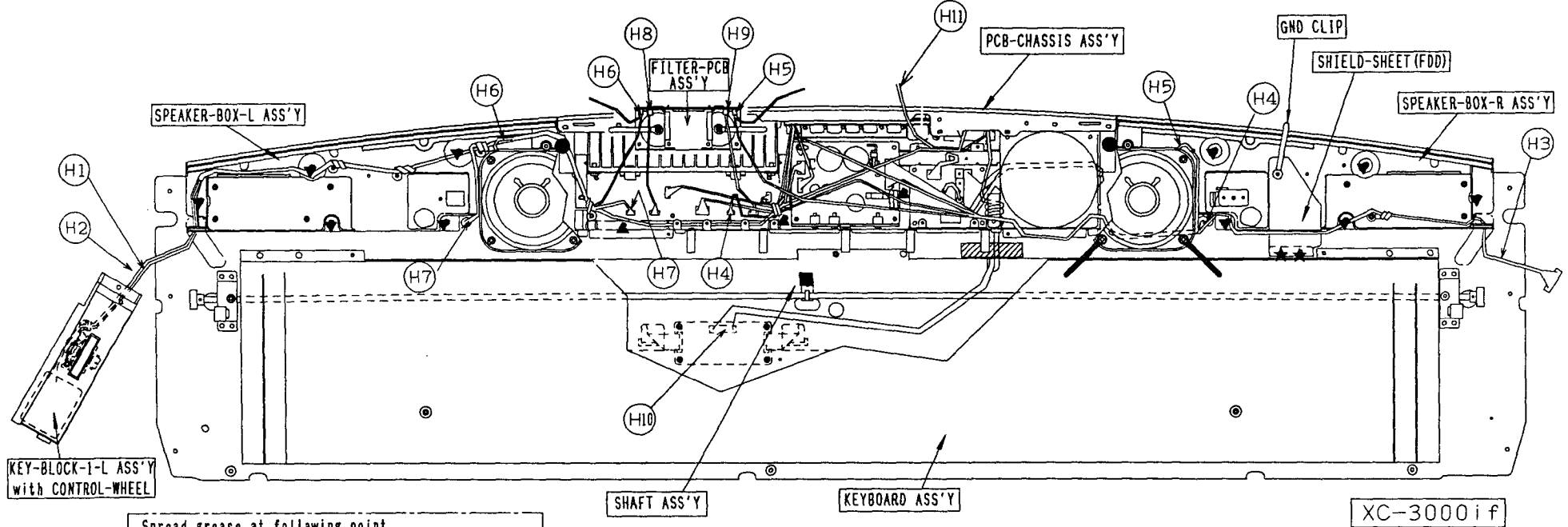
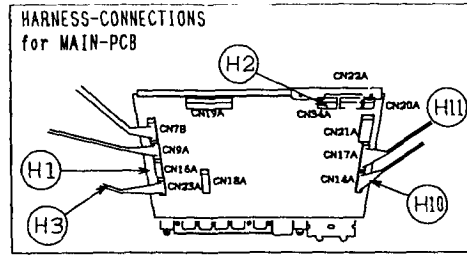
AL→aluminum sheet

U-5 lot and later

U-4 lot only

■	BT	B BZMC 3×8	4
★	BT	B BZMC 4×10	10
▲	FE	FEW BZMC 4×18	6
MARK		SCREWS	Q'ty

* for FRONT-BAR SCREW B
* for FILTER-PCB ASS'Y screw E



HARNESS TABLE

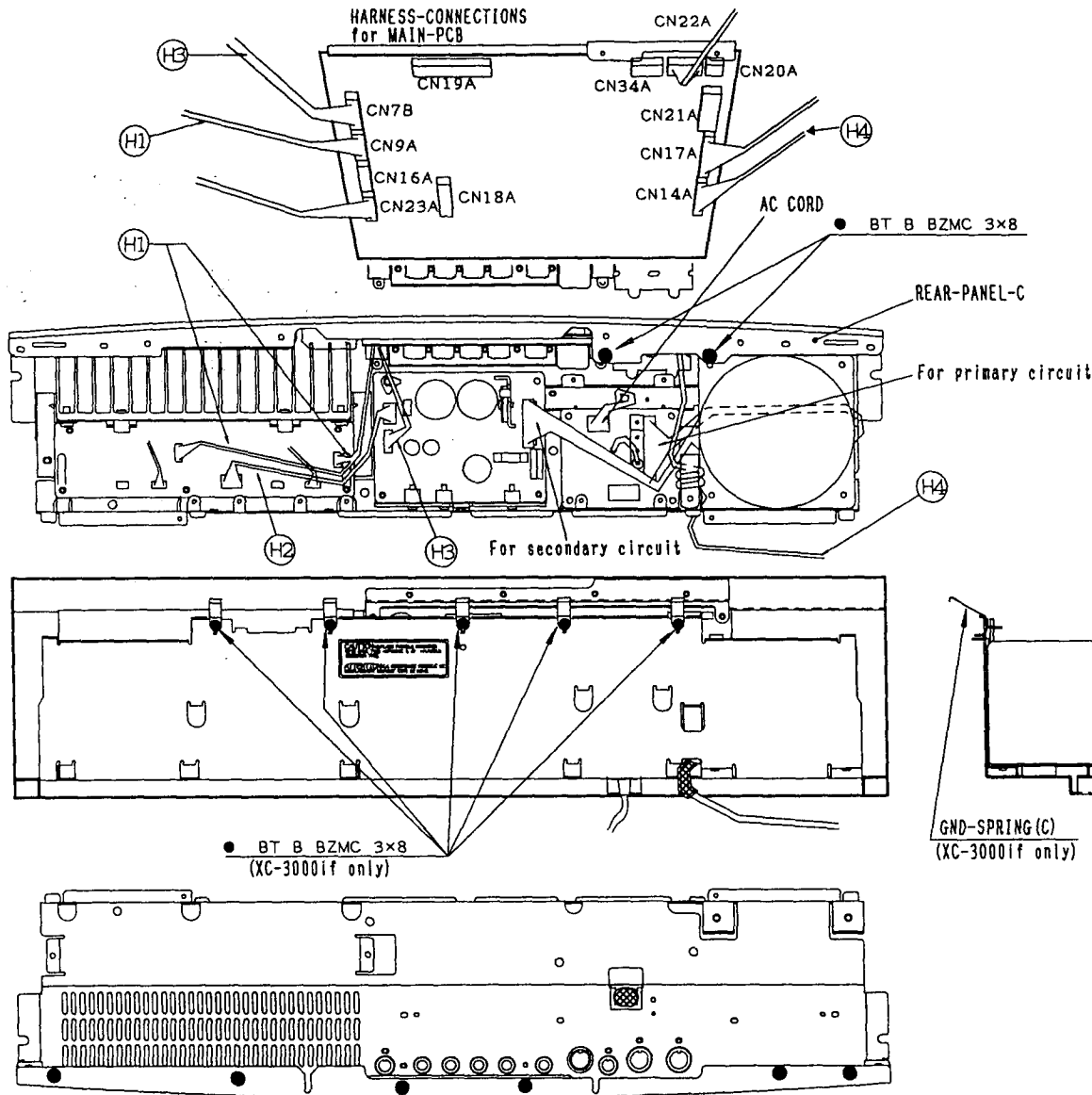
MARK	HNS-****	COLOR
(H1)	2342	YLW,ORG,ORG WHT,BLK,RED
(H2)	2344	PRPL,GRN
(H3)	2345	WHT,BLK,RED YLW
(H4)	2367	BLK,RED
(H5)	2349	BLK,RED BLK,ORG
(H6)	2348	BLK,BLU BLK,GRN

MARK	HNS-****	COLOR
(H7)	2366	BLK,BLU
(H8)	2388	BLK,BLU BLK,GRN
(H9)	2389	BLK,RED BLK,ORG
(H10)	2335	BRN,ORG
(H11)	2337	GRN,ORG,AL
U-5 lot	2364	GRN,ORG,AL

AL → aluminum sheet
U-5 lot and later
U-4 lot only

MARK	Q'ty
▼ FE WSE1 ZMC 4x18	10
■ TP1 B ZMC 3x14	1
★ TP1 FEW ZMC 3x10	2
▲ FE B BZMC 4x12	3
● FE FEW BZMC 4x14	2
MARK SCREWS	Q'ty

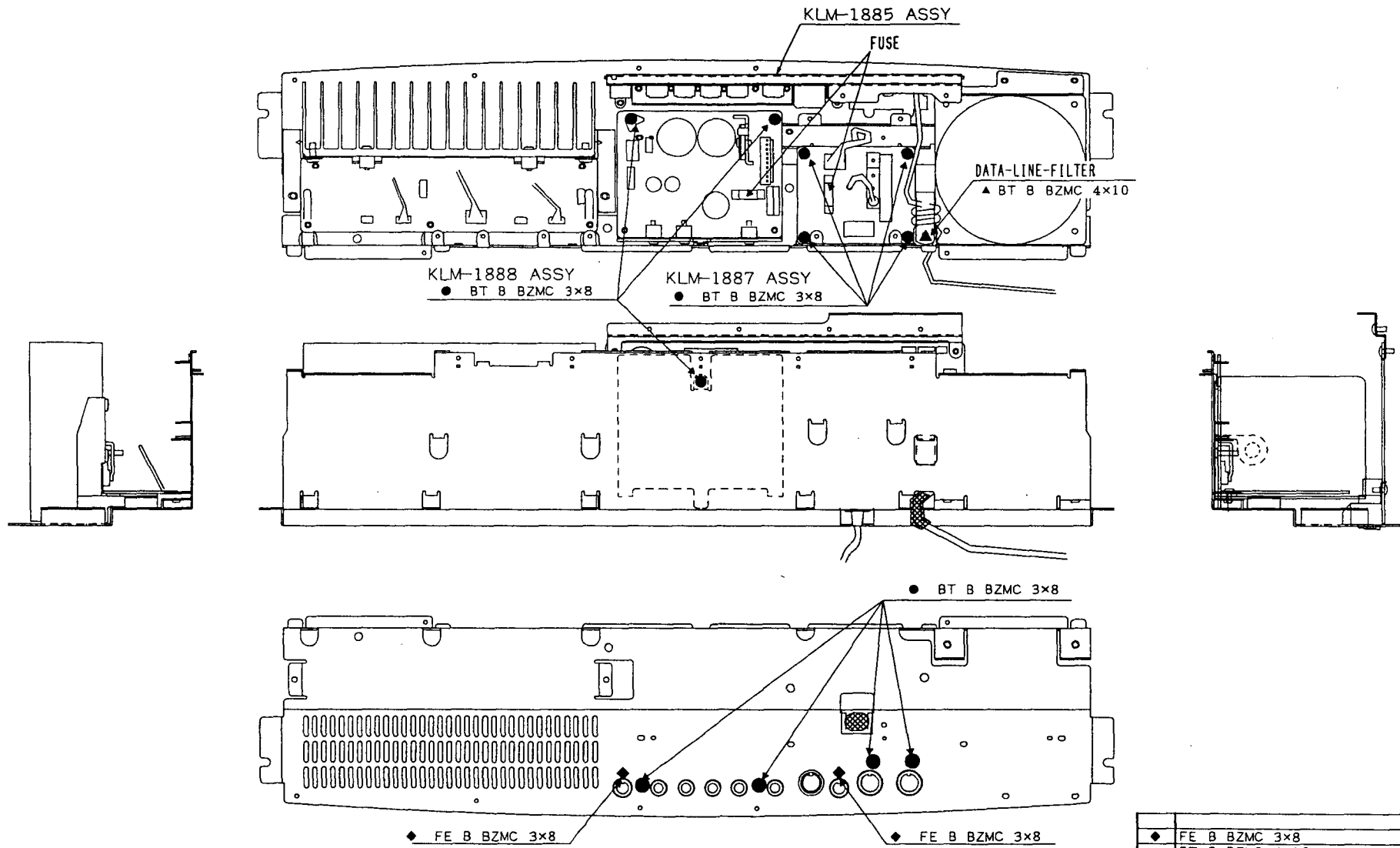
BOTTOM CASE VIEW (3/3)



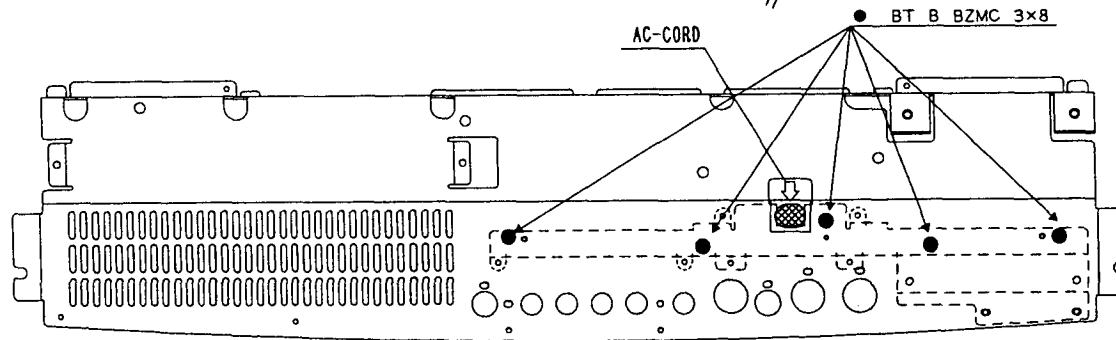
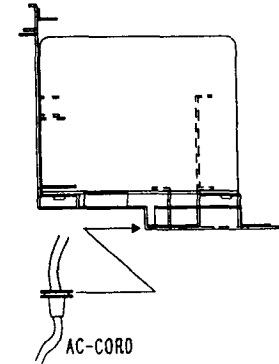
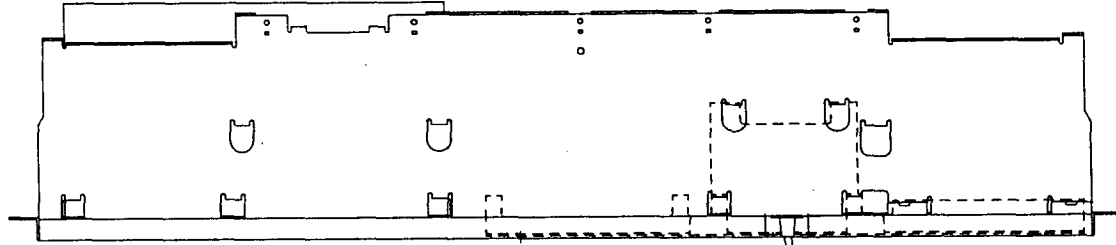
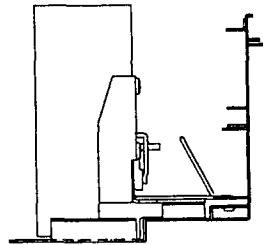
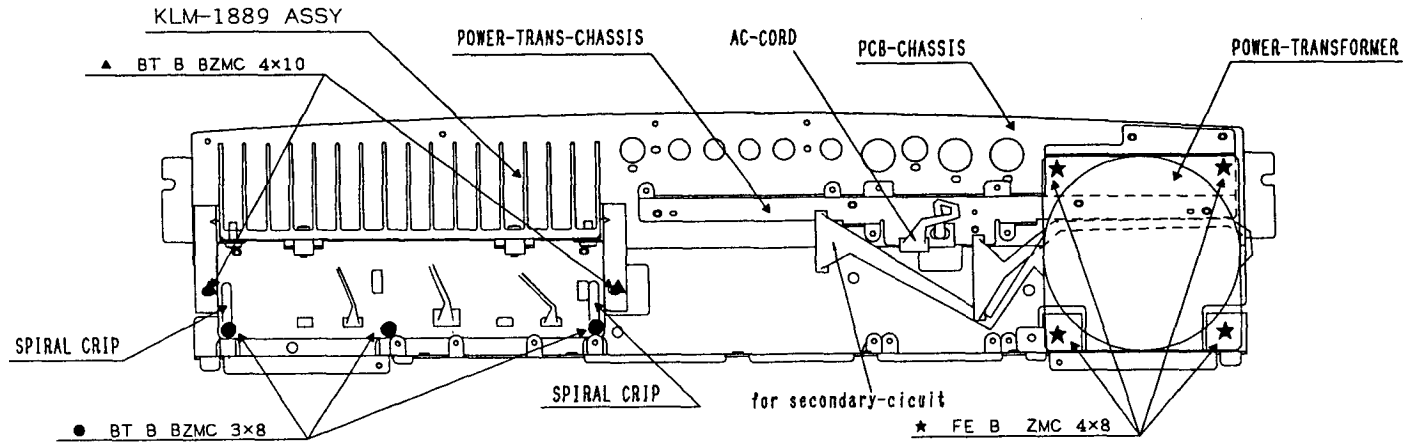
●	BT B BZMC 3x8	8	13
MARK	SCREWS	Q'ty	Q'ty
	MODEL →	X-513/4/7	X-516

HARNESS TABLE

MARK	HNS-****	COLOR
(H1)	2347	WHT, BLK/WHT, BLK, RED
(H2)	2334	BRN, YLW
(H3)	2343	ORG, RED
(H4)	2335	BRN, ORG

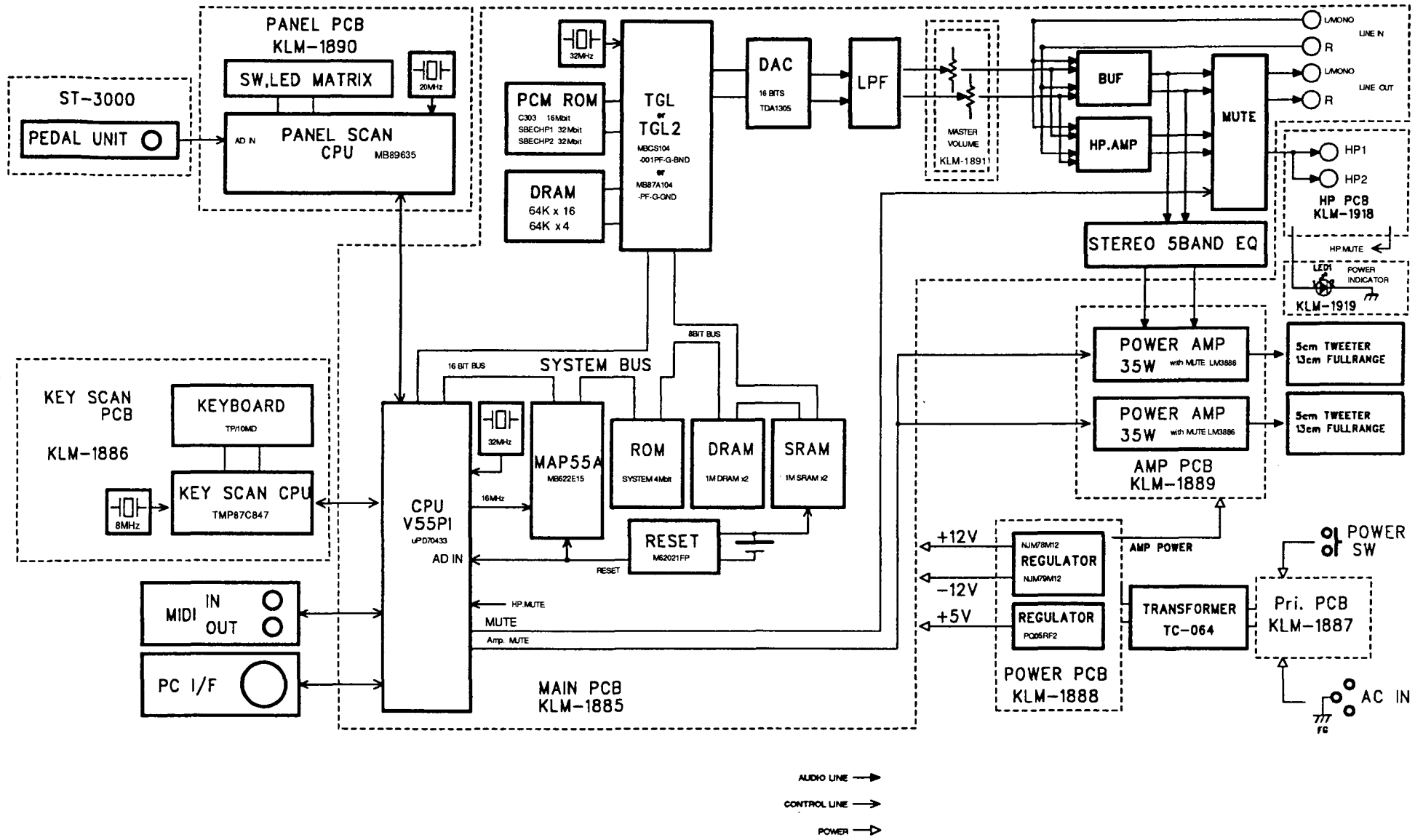


◆	FE B BZMC 3x8	2
▲	BT B BZMC 4x10	1
●	BT B BZMC 3x8	11
MARK	SCREWS	Q'ty



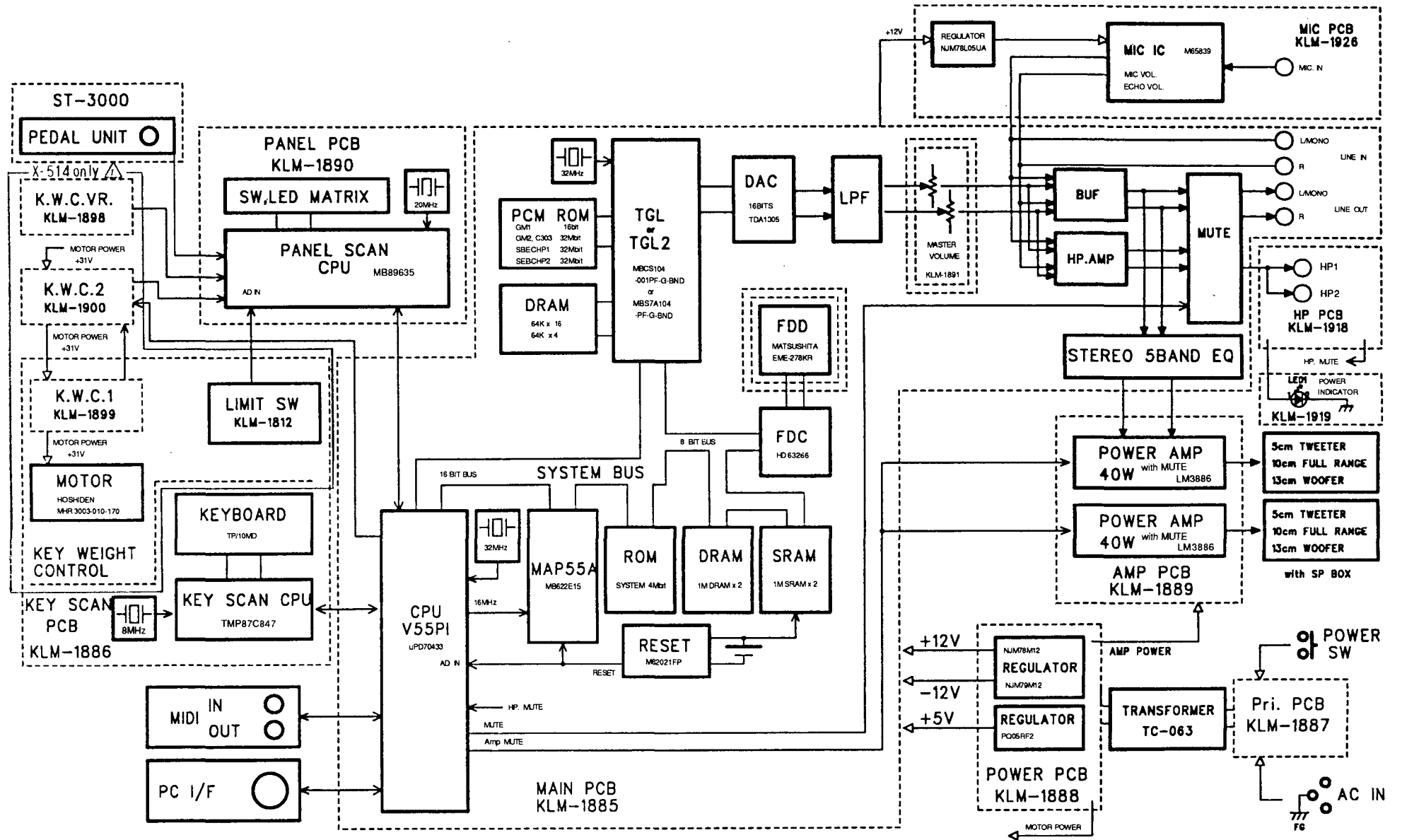
★	FE B ZMC 4x8	4
▲	BT B BZMC 4x10	2
●	BT B BZMC 3x8	8
MARK	SCREWS	Q'ty

2. BLOCK DIAGRAM

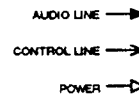


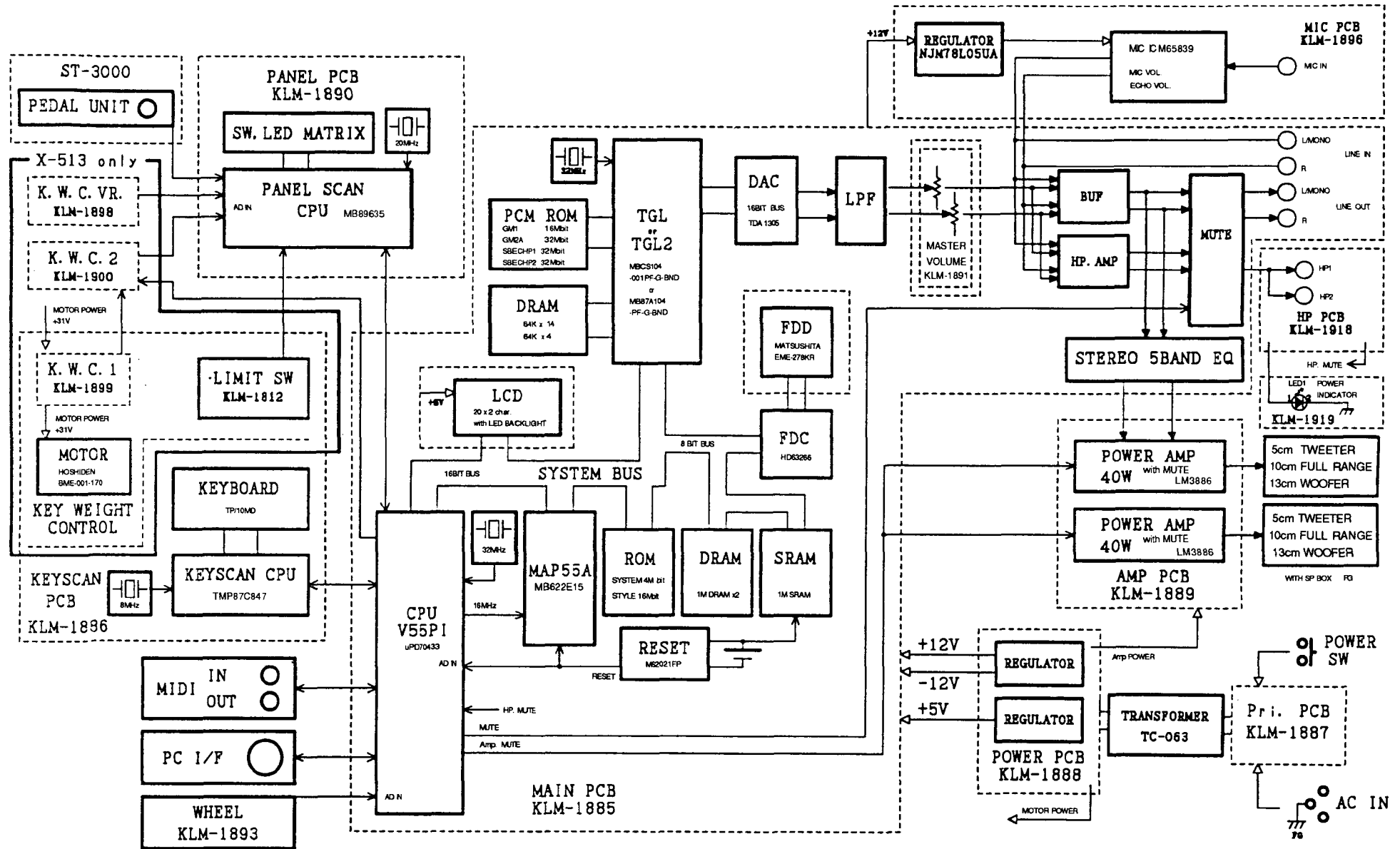
For XC-1000

13

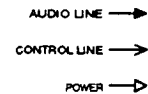


For XC-2000

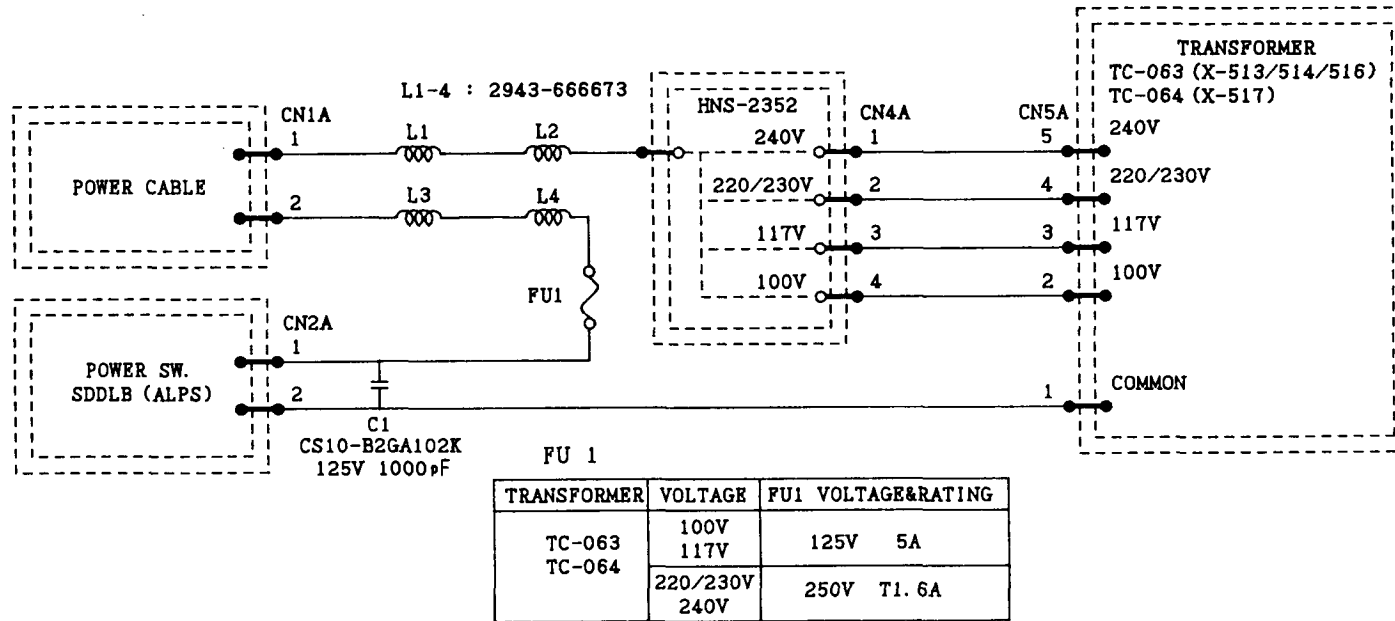




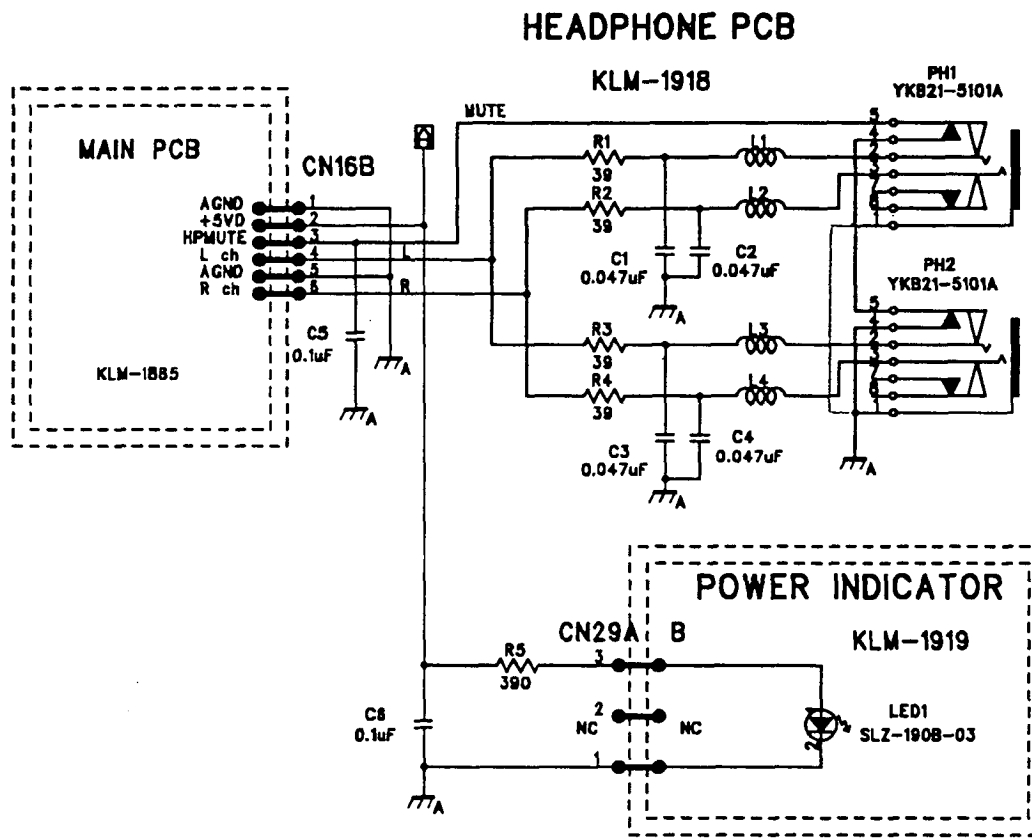
For XC-3000IF



3. CIRCUIT DIAGRAM

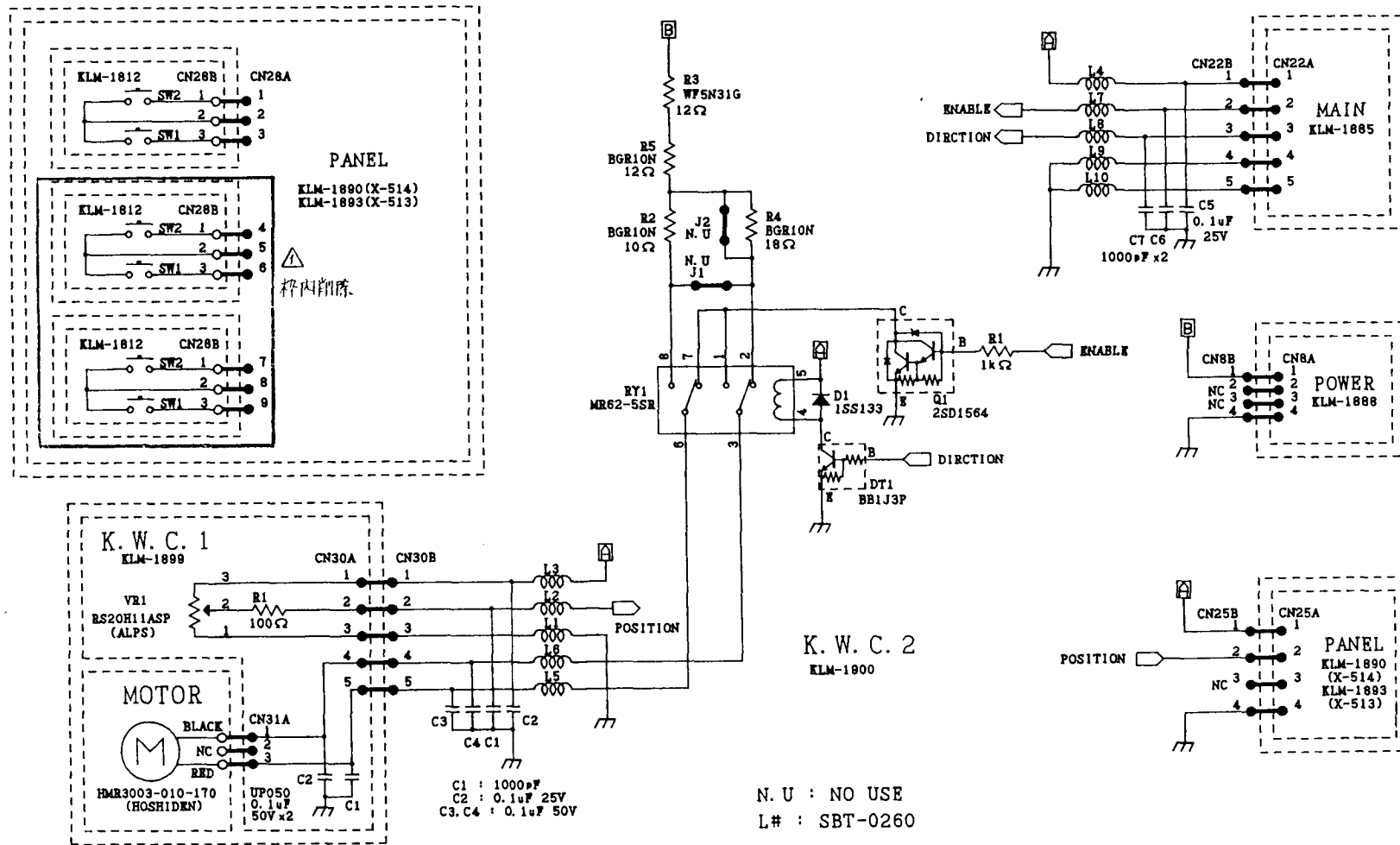


KLM-1887 For XC-1000/2000/3000IF

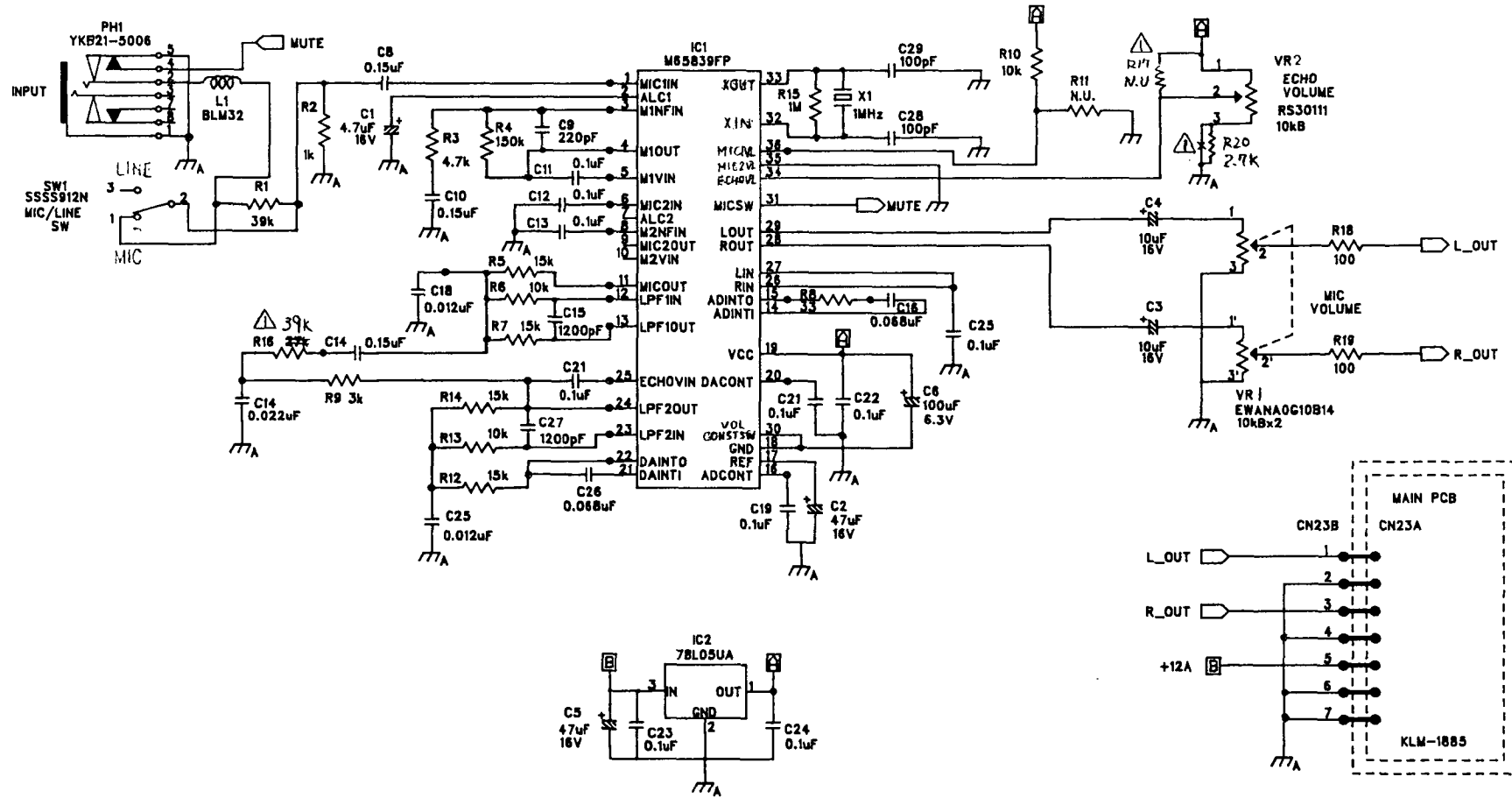


L : 2943-666673

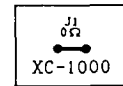
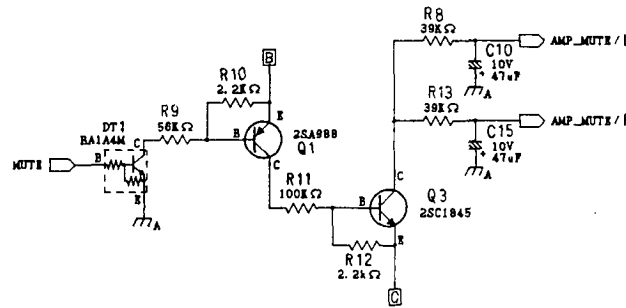
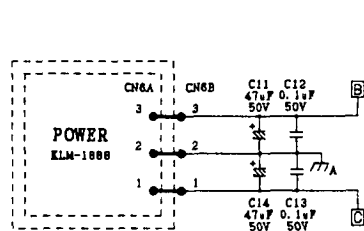
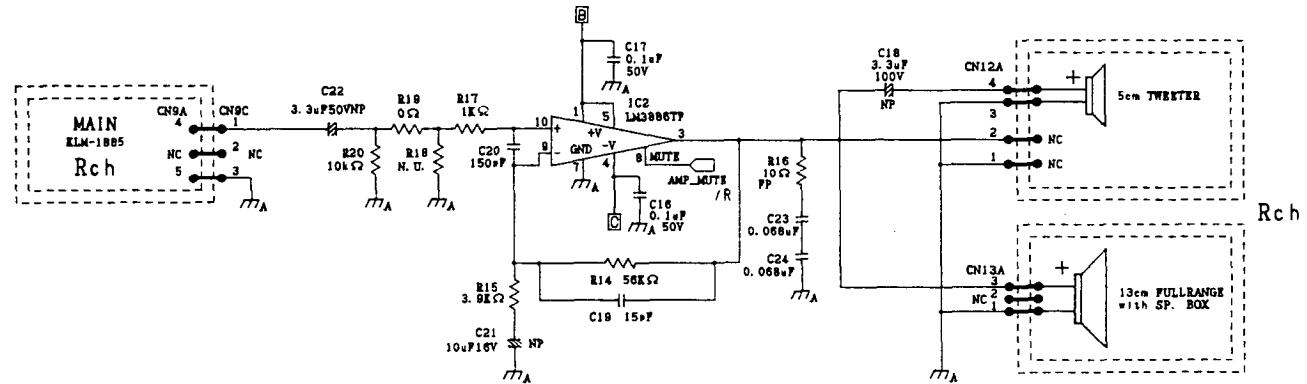
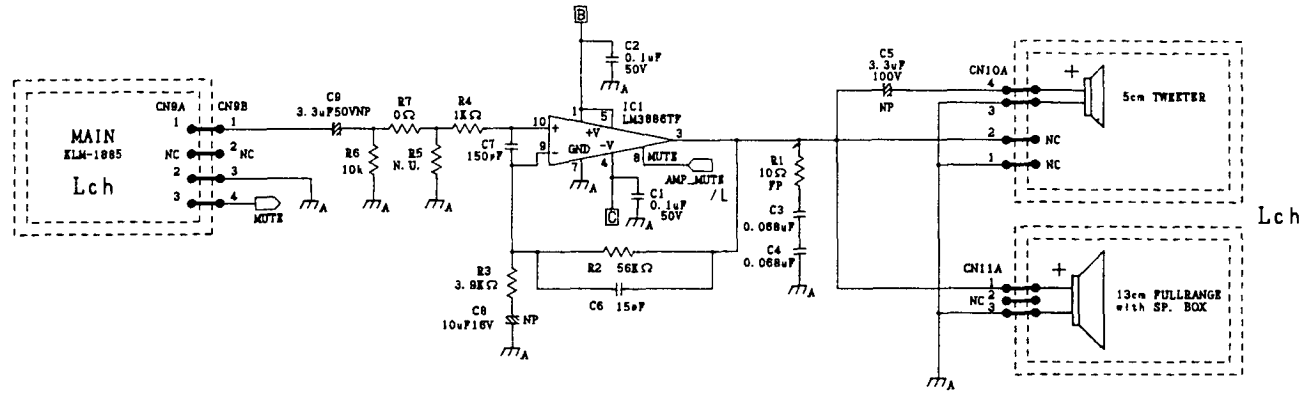
KLM-1918,1919 For XC-1000/2000/3000IF



KLM-1899/1990/1812 For XC-2000/3000IF

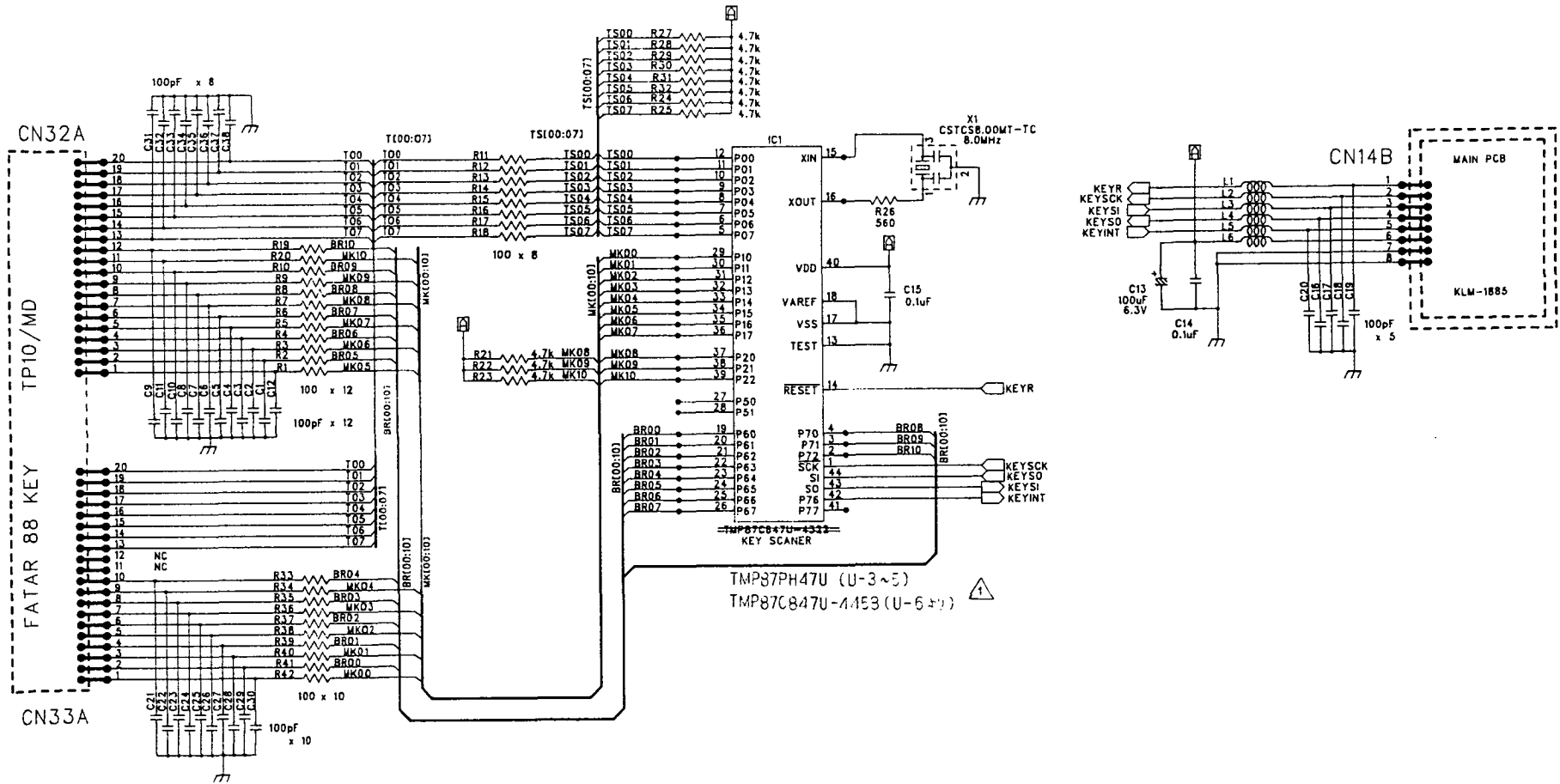


KLM-1896 For XC-2000/3000IF



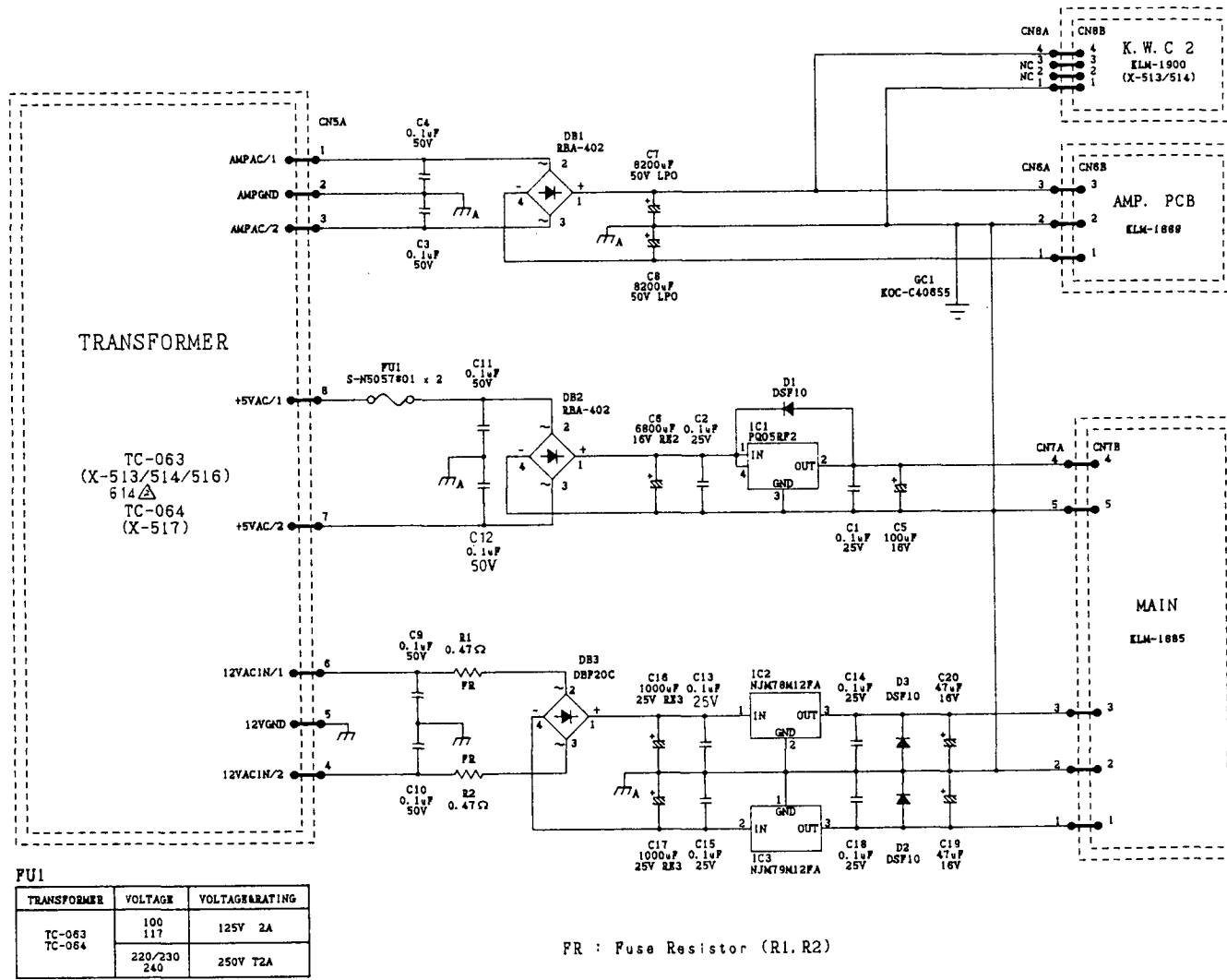
KLM-1889 For XC-1000

FP : Flameproof Resistor
 13cm FULLRANGE : C13031K8810
 5cm TWEETER : C050N20K8810
 N. U. : NO USE

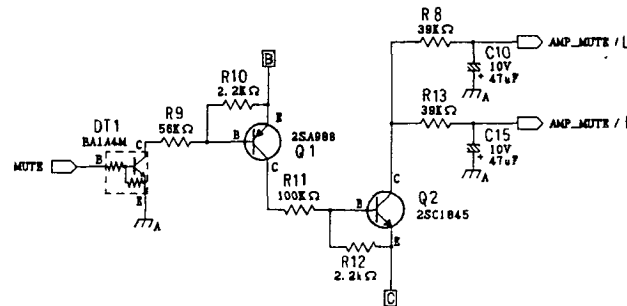
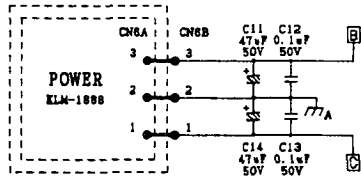
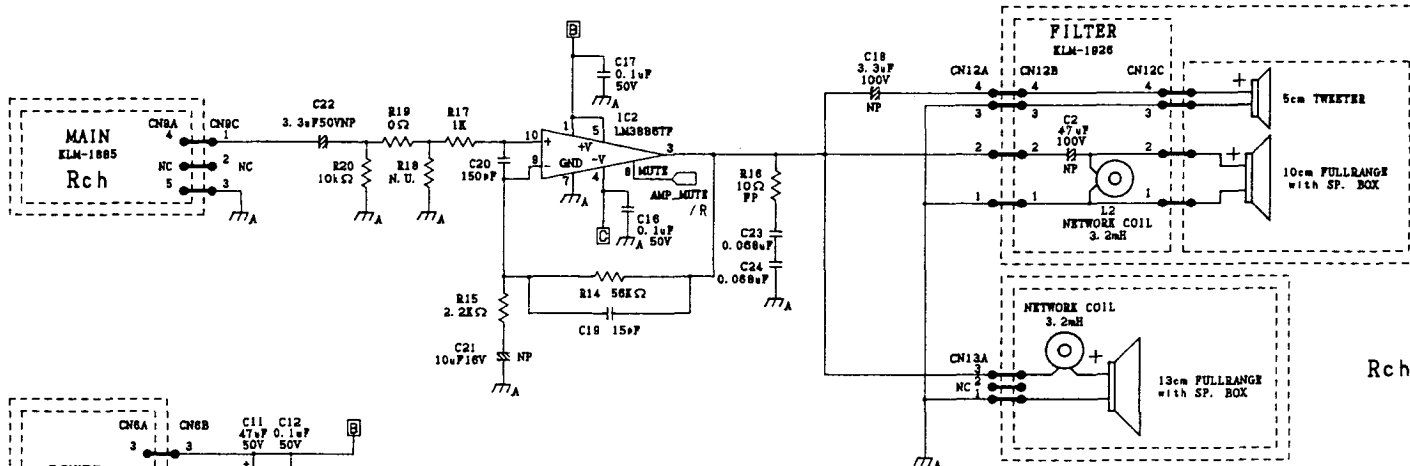
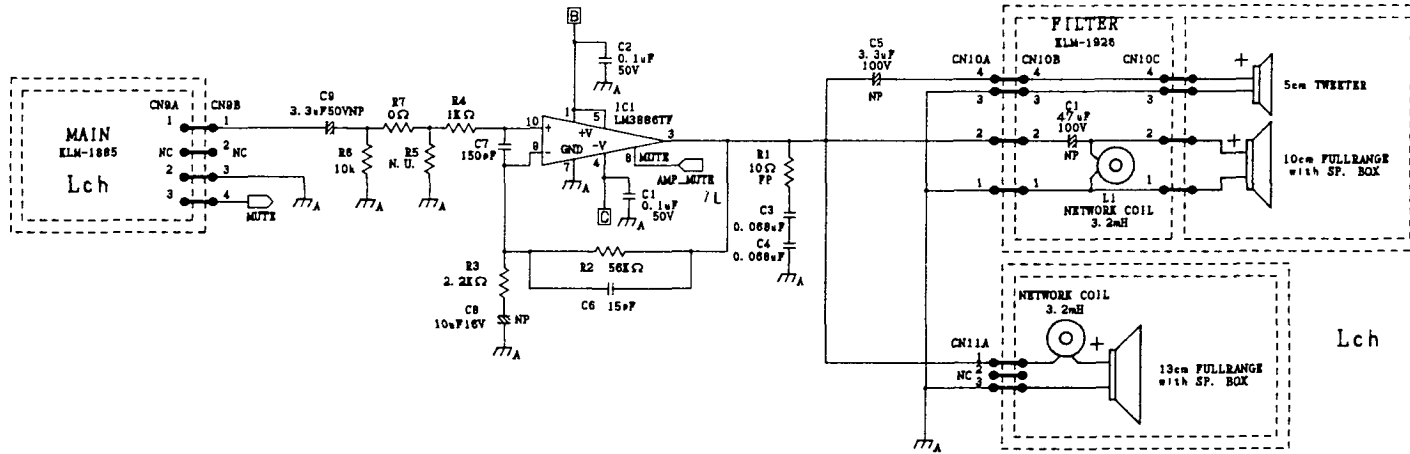


KLM-1886 For XC-1000/2000/3000IF

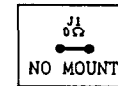
L : BLM21B102SPT



KLM-1888 For XC-1000/2000/3000IF



PP : Flameproof Resistor
 13cm FULLRANGE : C130L3K8810
 10cm FULLRANGE : C100M04K8810
 5cm TWEETER : C050N20K8810
 NETWORK COIL :
 N. U. : NO USE



KLM-1889 For XC-2000/3000IF

4. PARTS LIST

PARTS CODE	PART NAME/IDENTIFICATION NO.	P.C.BAORD	NOTE	PRODUCT	Q'TY	MARK
312010900	LED GL3ED8	1890		XC-1000	1	
312010900	LED GL3ED8	1890		XC-2000	1	
312010900	LED GL3ED8	1893		XC-3000IF	1	
312050800	LED INDICATOR SL-9352	1890		XC-1000	1	NEW
312050800	LED INDICATOR SL-9352	1890		XC-2000	1	
313003700	LCD DM139X-7BL3 (W/HARNES)	M.PART		XC-3000IF	1	NEW
314010250	LED SLZ-190B-03-T2 (TS)	1890		XC-1000	29	
314010250	LED SLZ-190B-03-T2 (TS)	1890		XC-2000	32	
314010250	LED SLZ-190B-03-T2 (TS)	1893		XC-3000IF	64	
314010250	LED SLZ-190B-03-T2 (TS)	1919		XC-1000	1	
314010250	LED SLZ-190B-03-T2 (TS)	1919		XC-2000	1	
314010250	LED SLZ-190B-03-T2 (TS)	1919		XC-3000IF	1	
320001529	IC UPD70433GD-16-5BB	1885	CPU	XC-1000	1	
320001529	IC UPD70433GD-16-5BB	1885	CPU	XC-3000IF	1	
320001529	IC UPD70433GD-16-5BB	1885	CPU	XC-2000	1	
320001552	IC UPD23C32000GX-324	1885	WAVE_ROM	XC-2000	1	
320001553	IC UPD23C32000GX-325	1885	WAVE_ROM	XC-1000	1	NEW
320001553	IC UPD23C32000GX-325	1885	WAVE_ROM	XC-3000IF	1	NEW
320001553	IC UPD23C32000GX-325	1885	WAVE_ROM	XC-2000	1	
320001554	IC UPD23C32000GX-326	1885	WAVE_ROM	XC-1000	1	NEW
320001554	IC UPD23C32000GX-326	1885	WAVE_ROM	XC-3000IF	1	NEW
320001554	IC UPD23C32000GX-326	1885	WAVE_ROM	XC-2000	1	
320001558	IC UPD23C16000WX-550	1885	WAVE_ROM	XC-1000	1	NEW
320001562	IC UPD23C32000GX-369	1885	WAVE_ROM	XC-3000IF	1	NEW
320003212	IC TMP87C847U-4322	1886	KEY_SCAN	XC-1000	1	
320003212	IC TMP87C847U-4322	1886	KEY_SCAN	XC-3000IF	1	
320003217	IC TMP87C847U-4458	1886		XC-2000	1	
320004538	IC HD63266F	1885	FDC	XC-3000IF	1	
320004538	IC HD63266F	1885	FDC	XC-2000	1	
320004559	IC HN27C4000G12	1885	EP_ROM	XC-1000	1	NEW
320004559	IC HN27C4000G12	1885	EP_ROM	XC-3000IF	1	NEW
320004559	IC HN27C4000G12	1885	EP_ROM	XC-2000	1	
320009078	IC NJM78M12FA	1888	REGULATOR	XC-1000	1	
320009078	IC NJM78M12FA	1888	REGULATOR	XC-2000	1	
320009078	IC NJM78M12FA	1888	REGULATOR	XC-3000IF	1	
320009079	IC NJM79M12FA	1888	REGULATOR	XC-1000	1	
320009079	IC NJM79M12FA	1888	REGULATOR	XC-2000	1	
320009079	IC NJM79M12FA	1888	REGULATOR	XC-3000IF	1	
320012141	IC MBCS35104-001PF-G-BND	1885	TGL	XC-1000	1	
320012141	IC MBCS35104-001PF-G-BND	1885	TGL	XC-3000IF	1	

320012141	IC MBCS35104-001PF-G-BND	1885	TGL	XC-2000	1	
320012146	IC MB622E15PF-G-LBND	1885	MAP55A	XC-1000	1	
320012146	IC MB622E15PF-G-LBND	1885	MAP55A	XC-3000IF	1	
320012146	IC MB622E15PF-G-LBND	1885	MAP55A	XC-2000	1	
320012148	IC MB8316200A-15PF-G-402-HT	1885	WAVE_ROM GM1	XC-3000IF	1	
320012148	IC MB8316200A-15PF-G-402-HT	1885	WAVE_ROM GM1	XC-2000	1	
320012214	IC MB89635RP-G-198-SH	1890	FPS-2	XC-1000	1	NEW
320012214	IC MB89635RP-G-198-SH	1890	FPS-2	XC-2000	1	
320012214	IC MB89635RP-G-198-SH	1893	FPS-2	XC-3000IF	1	NEW
320013036	IC PQ05RF2	1888	REGULATOR	XC-1000	1	
320013036	IC PQ05RF2	1888	REGULATOR	XC-2000	1	
320013036	IC PQ05RF2	1888	REGULATOR	XC-3000IF	1	
320022100	IC LM3886TF	1889	POWER_AMP	XC-1000	2	NEW
320022100	IC LM3886TF	1889	POWER_AMP	XC-2000	2	
320022100	IC LM3886TF	1889	POWER_AMP	XC-3000IF	2	NEW
320040013	IC MX23C1610PC-12 951217 (DIP)	1885	MASK_ROM	XC-3000IF	1	
320043001	IC IN41464P-10	1885	D_RAM	XC-1000	5	
320043001	IC IN41464P-10	1885	D_RAM	XC-3000IF	5	
320043001	IC IN41464P-10	1885	D_RAM	XC-2000	1	
324001015	IC UPC4570G2-E2 (SOP)	1885	OP_AMP	XC-1000	3	
324001015	IC UPC4570G2-E2 (SOP)	1885	OP_AMP	XC-3000IF	3	
324001015	IC UPC4570G2-E2 (SOP)	1885	OP_AMP	XC-2000	3	
324003010	IC TCWU04F TE12L	1885	HC_MOS	XC-1000	1	
324003010	IC TCWU04F TE12L	1885	HC_MOS	XC-3000IF	1	
324003010	IC TC7WU04F TE12L	1885	HC_MOS	XC-2000	1	
324004024	IC HD74HC74FPER	1885	HC_MOS	XC-1000	1	
324004024	IC HD74HC74FPER	1885	HC_MOS	XC-3000IF	1	
324004024	IC HD74HC74FPER	1885	HC_MOS	XC-2000	1	
324004050	IC HD74HC138FPER	1885	HC_MOS	XC-1000	1	
324004050	IC HD74HC138FPER	1885	HC_MOS	XC-3000IF	1	
324004050	IC HD74HC138FPER	1885	HC_MOS	XC-2000	1	
324004065	IC HD74HC164FPER	1885	HC_MOS	XC-1000	1	
324004065	IC HD74HC164FPER	1885	HC_MOS	XC-3000IF	1	
324004065	IC HD74HC164FPER	1885	HC_MOS	XC-2000	1	
324004176	IC HD74HC05FPER	1885	HC_MOS	XC-1000	1	
324004176	IC HD74HC05FPER	1885	HC_MOS	XC-3000IF	1	
324004176	IC HD74HC05FPER	1885	HC_MOS	XC-2000	1	
324005003	IC LC321664AJ-80-TRM	1885	D_RAM	XC-2000	1	
324009004	IC NJM78L05UA-TE2	1885	REGULATOR	XC-1000	1	
324009004	IC NJM78L05UA-TE2	1885	REGULATOR	XC-3000IF	1	
324009004	IC NJM78L05UA-TE2	1896	REGULATOR	XC-2000	1	

324009004	IC NJM78L05UA-TE2	1896	REGULATOR	XC-3000IF	1	
324009004	IC NJM78L05UA-TE2	1885	REGULATOR	XC-2000	1	
324011002	IC M5223FP-600C (8P SOP)	1885	OP_AMP	XC-1000	1	
324011002	IC M5223FP-600C (8P SOP)	1885	OP_AMP	XC-3000IF	1	
324011002	IC M5223FP-600C (8P SOP)	1885	OP_AMP	XC-2000	1	
324011013	IC M62021FP-600C	1885	RESET	XC-1000	1	
324011013	IC M62021FP-600C	1885	RESET	XC-3000IF	1	
324011013	IC M62021FP-600C	1885	RESET	XC-2000	1	
324011021	IC M5M34050FP-42A	1885	TRANSCEIVER	XC-1000	1	
324011021	IC M5M34050FP-42A	1885	TRANSCEIVER	XC-3000IF	1	
324011021	IC M5M34050FP-42A	1885	TRANSCEIVER	XC-2000	1	
324011022	IC M5M51008AFP-70L-TT4	1885	S_RAM	XC-1000	1	
324011022	IC M5M51008AFP-70L-TT4	1885	S_RAM	XC-3000IF	1	
324011022	IC M5M51008AFP-70L-TT4	1885	S_RAM	XC-2000	1	
324011026	IC M5227FP-600C	1885	EQ	XC-1000	2	NEW
324011026	IC M5227FP-600C	1885	EQ	XC-3000IF	2	NEW
324011026	IC M5227FP-600C	1885	EQ	XC-2000	2	
324011027	IC M65839FP-630C	1896	MIC_ECHO	XC-2000	1	
324011027	IC M65839FP-630C	1896	MIC_ECHO	XC-3000IF	1	NEW
324013016	IC LH64256BK-80	1885	D_RAM	XC-1000	2	
324013016	IC LH64256BK-80	1885	D_RAM	XC-3000IF	2	
324013016	IC LH64256BK-80	1885	D_RAM	XC-2000	2	
324038002	IC TDA1305T/N1-T	1885	DAC	XC-1000	1	
324038002	IC TDA1305T/N1-T	1885	DAC	XC-3000IF	1	
324038002	IC TDA1305T/N1-T	1885	DAC	XC-2000	1	
334000700	PHOTO COUPLER ACPL-M605#500	1885		XC-1000	1	NEW
334000700	PHOTO COUPLER ACPL-M605#500	1885		XC-3000IF	1	NEW
334000700	PHOTO COUPLER ACPL-M605#500	1885		XC-2000	1	
335009500	CERAMIC OSC CST10.0MTW	1890		XC-1000	1	
335009500	CERAMIC OSC CST10.0MTW	1890		XC-2000	1	
335009500	CERAMIC OSC CST10.0MTW	1893		XC-3000IF	1	
335009700	CERAMIC OSC. CSB1000J	1896		XC-2000	1	
335009700	CERAMIC OSC. CSB1000J	1896		XC-3000IF	1	NEW
335400080	CRYSTAL OSC SX-1 32.000MHZ	1885		XC-1000	2	
335400080	CRYSTAL OSC SX-1 32.000MHZ	1885		XC-3000IF	2	
335400080	CRYSTAL OSC SX-1 32.000MHZ	1885		XC-2000	2	
335400117	CERAMIC OSC. CSTCS8.00MT-TC	1886		XC-1000	1	
335400117	CERAMIC OSC. CSTCS8.00MT-TC	1886		XC-2000	1	
335400117	CERAMIC OSC. CSTCS8.00MT-TC	1886		XC-3000IF	1	
343018450	KLM-1845 (NO COMPONENT)		PEDAL UNIT	ST-3000	1	NEW
360023600	VR RK11K1140(X-011/012) 10KB	1897		XC-3000IF	1	

362007400	VR RK09L1120AZHA 10KB		PEDAL UNIT		ST-3000	3	
365007800	SLIDE VR RS30111AC00NB 10KB	1891			XC-1000	1	
365007800	SLIDE VR RS30111AC00NB 10KB	1891			XC-2000	1	
365007800	SLIDE VR RS30111AC00NB 10KB	1896			XC-2000	1	
365007800	SLIDE VR RS30111AC00NB 10KB	1896			XC-3000IF	1	
365009500	SLIDE VR EWA NAOC10B14 10KB	1891			XC-2000	1	
365009500	SLIDE VR EWA NAOC10B14 10KB	1892			XC-1000	1	
365009500	SLIDE VR EWA NAOC10B14 10KB	1894			XC-3000IF	1	
365009500	SLIDE VR EWA NAOC10B14 10KB	1896			XC-2000	1	
365009500	SLIDE VR EWA NAOC10B14 10KB	1896			XC-3000IF	1	
373008600	SLIDE SW SSSS91K55A	1896			XC-2000	1	
373008600	SLIDE SW SSSS91K55A	1896			XC-3000IF	1	NEW
374000100	TOUCH SW EVQ21509K-T	1890			XC-1000	30	
374000100	TOUCH SW EVQ21509K-T	1890			XC-2000	33	
374000100	TOUCH SW EVQ21509K-T	1893			XC-3000IF	79	
375006100	POWER SW SDDL1		M.PART		XC-1000	1	
375006100	POWER SW SDDL1		M.PART		XC-3000IF	1	
375012800	DIGITAL CODE SW SSGC21-2	1891			XC-1000	1	NEW
375012800	DIGITAL CODE SW SSGC21-2	1892			XC-2000	1	
375013300	POWER SW SDDL1876A		M.PART		XC-2000	1	
400014200	POWER TRANSFORMER TC-063		M.PART		XC-2000	1	
400014200	POWER TRANSFORMER TC-063		M.PART		XC-3000IF	1	NEW
400014300	POWER TRANSFORMER TC-064		M.PART		XC-1000	1	NEW
410005500	SPEAKER C050N20K8810 TWEETER		M.PART		XC-1000	2	NEW
410005500	SPEAKER C050N20K8810 TWEETER		M.PART		XC-2000	2	
410005500	SPEAKER C050N20K8810 TWEETER		M.PART		XC-3000IF	2	NEW
410005600	SPEAKER C100M04K8810 MID		M.PART		XC-2000	2	
410005600	SPEAKER C100M04K8810 MID		M.PART		XC-3000IF	2	NEW
410005700	SPEAKER C130L31K8810 WOOFER		M.PART		XC-1000	2	NEW
410005700	SPEAKER C130L31K8810 WOOFER		M.PART		XC-2000	2	
410005700	SPEAKER C130L31K8810 WOOFER		M.PART		XC-2000	2	
410005700	SPEAKER C130L31K8810 WOOFER		M.PART		XC-3000IF	2	NEW
420005600	KEYBOARD TP/10MD+PCBOARD K88		M.PART		XC-1000	1	NEW
420005600	KEYBOARD TP/10MD+PCBOARD K88		M.PART		XC-2000	1	
420005600	KEYBOARD TP/10MD+PCBOARD K88		M.PART		XC-3000IF	1	NEW
435001800	FDD EME278KR (3.5INCH/2MODE)		M.PART		XC-2000	1	
435001800	FDD EME278KR (3.5INCH/2MODE)		M.PART		XC-3000IF	1	NEW
454004300	PHONE JACK YKB21-5012	1885			XC-1000	4	
454004300	PHONE JACK YKB21-5012	1885			XC-3000IF	4	
454004300	PHONE JACK YKB21-5012	1885			XC-2000	4	
454004400	PHONE JACK YKB21-5010	1885			XC-3000IF	1	

454005600	PHONE JACK YKB21-5006		1896			XC-2000	1	
454005600	PHONE JACK YKB21-5006		1896			XC-3000IF	1	
454009100	DIN JACK YKF51-5058		1885			XC-1000	1	
454009100	DIN JACK YKF51-5058		1885			XC-3000IF	1	
454009100	DIN JACK YKF51-5058		1885			XC-2000	1	
454009700	PHONE JACK YKB21-510A		1918			XC-1000	2	
454009700	PHONE JACK YKB21-510A		1918			XC-2000	2	
454009700	PHONE JACK YKB21-510A		1918			XC-3000IF	2	
464002300	FUSE 125V 2A SB2	M.PART		100JP		XC-1000	1	
464002300	FUSE 125V 2A SB2	M.PART		117EX		XC-1000	1	
464002300	FUSE 125V 2A SB2	M.PART		117CN		XC-1000	1	
464002300	FUSE 125V 2A SB2	M.PART		117US		XC-1000	1	
464002300	FUSE 125V 2A SB2	M.PART		117US		XC-2000	1	
464002300	FUSE 125V 2A SB2	M.PART		117CN		XC-2000	1	
464002300	FUSE 125V 2A SB2	M.PART		117EX		XC-2000	1	
464002300	FUSE 125V 2A SB2	M.PART		117EX		XC-3000IF	1	
464002300	FUSE 125V 2A SB2	M.PART		117CN		XC-3000IF	1	
464002300	FUSE 125V 2A SB2	M.PART		117US		XC-3000IF	1	
464002701	FUSE 125V 5A	M.PART		100JP		XC-1000	1	NEW
464002701	FUSE 125V 5A	M.PART		117EX		XC-1000	1	
464002701	FUSE 125V 5A	M.PART		117CN		XC-1000	1	
464002701	FUSE 125V 5A	M.PART		117US		XC-1000	1	
464002701	FUSE 125V 5A	M.PART		117US		XC-2000	1	
464002701	FUSE 125V 5A	M.PART		117CN		XC-2000	1	
464002701	FUSE 125V 5A	M.PART		117EX		XC-2000	1	
464002701	FUSE 125V 5A	M.PART		117EX		XC-3000IF	1	NEW
464002701	FUSE 125V 5A	M.PART		117CN		XC-3000IF	1	NEW
464002701	FUSE 125V 5A	M.PART		117US		XC-3000IF	1	NEW
464062201	FUSE 250V T1.6A	M.PART		240AF		XC-1000	1	
464062201	FUSE 250V T1.6A	M.PART		230GE		XC-1000	1	
464062201	FUSE 250V T1.6A	M.PART		230FR		XC-1000	1	
464062201	FUSE 250V T1.6A	M.PART		230WG		XC-1000	1	
464062201	FUSE 250V T1.6A	M.PART		230SC		XC-1000	1	
464062201	FUSE 250V T1.6A	M.PART		230UK		XC-1000	1	
464062201	FUSE 250V T1.6A	M.PART		240AU		XC-1000	1	
464062201	FUSE 250V T1.6A	M.PART		240GE		XC-1000	1	
464062201	FUSE 250V T1.6A	M.PART		220GE		XC-1000	1	
464062201	FUSE 250V T1.6A	M.PART		220GE		XC-2000	1	
464062201	FUSE 250V T1.6A	M.PART		240AU		XC-2000	1	
464062201	FUSE 250V T1.6A	M.PART		240GE		XC-2000	1	
464062201	FUSE 250V T1.6A	M.PART		220GE		XC-2000	1	
464062201	FUSE 250V T1.6A	M.PART		240AU		XC-2000	1	
464062201	FUSE 250V T1.6A	M.PART		230UK		XC-2000	1	

464062201	FUSE 250V T1.6A	M.PART		230SC		XC-2000	1	
464062201	FUSE 250V T1.6A	M.PART		230WG		XC-2000	1	
464062201	FUSE 250V T1.6A	M.PART		230FR		XC-2000	1	
464062201	FUSE 250V T1.6A	M.PART		230GE		XC-2000	1	
464062201	FUSE 250V T1.6A	M.PART		240AF		XC-2000	1	
464062201	FUSE 250V T1.6A	M.PART		230UK		XC-3000IF	1	
464062201	FUSE 250V T1.6A	M.PART		230SC		XC-3000IF	1	
464062201	FUSE 250V T1.6A	M.PART		230WG		XC-3000IF	1	
464062201	FUSE 250V T1.6A	M.PART		230FR		XC-3000IF	1	
464062201	FUSE 250V T1.6A	M.PART		230GE		XC-3000IF	1	
464062201	FUSE 250V T1.6A	M.PART		240AF		XC-3000IF	1	
464062201	FUSE 250V T1.6A	M.PART		240AU		XC-3000IF	1	
464062201	FUSE 250V T1.6A	M.PART		240GE		XC-3000IF	1	
464062201	FUSE 250V T1.6A	M.PART		220GE		XC-3000IF	1	
464062301	FUSE 250V T2.0A	M.PART		240AF		XC-1000	1	
464062301	FUSE 250V T2.0A	M.PART		230GE		XC-1000	1	
464062301	FUSE 250V T2.0A	M.PART		230FR		XC-1000	1	
464062301	FUSE 250V T2.0A	M.PART		230WG		XC-1000	1	
464062301	FUSE 250V T2.0A	M.PART		230SC		XC-1000	1	
464062301	FUSE 250V T2.0A	M.PART		230UK		XC-1000	1	
464062301	FUSE 250V T2.0A	M.PART		240AU		XC-1000	1	
464062301	FUSE 250V T2.0A	M.PART		240GE		XC-1000	1	
464062301	FUSE 250V T2.0A	M.PART		220GE		XC-1000	1	
464062301	FUSE 250V T2.0A	M.PART		220GE		XC-2000	1	
464062301	FUSE 250V T2.0A	M.PART		240GE		XC-2000	1	
464062301	FUSE 250V T2.0A	M.PART		240AU		XC-2000	1	
464062301	FUSE 250V T2.0A	M.PART		230UK		XC-2000	1	
464062301	FUSE 250V T2.0A	M.PART		230SC		XC-2000	1	
464062301	FUSE 250V T2.0A	M.PART		230WG		XC-2000	1	
464062301	FUSE 250V T2.0A	M.PART		230FR		XC-2000	1	
464062301	FUSE 250V T2.0A	M.PART		230GE		XC-2000	1	
464062301	FUSE 250V T2.0A	M.PART		240AF		XC-2000	1	
464062301	FUSE 250V T2.0A	M.PART		230UK		XC-3000IF	1	
464062301	FUSE 250V T2.0A	M.PART		230SC		XC-3000IF	1	
464062301	FUSE 250V T2.0A	M.PART		230WG		XC-3000IF	1	
464062301	FUSE 250V T2.0A	M.PART		230FR		XC-3000IF	1	
464062301	FUSE 250V T2.0A	M.PART		230GE		XC-3000IF	1	
464062301	FUSE 250V T2.0A	M.PART		240AF		XC-3000IF	1	
464062301	FUSE 250V T2.0A	M.PART		240AU		XC-3000IF	1	
464062301	FUSE 250V T2.0A	M.PART		240GE		XC-3000IF	1	
464062301	FUSE 250V T2.0A	M.PART		220GE		XC-3000IF	1	

472091050	CONNECTOR SIDE SC25-05WL	PEDAL UNIT		ST-3000	1	NEW
475002350	HARNESHS HNS-2350	PEDAL UNIT		ST-3000	1	NEW
520001900	LITHIUM BATTERY CR2032-HE2	1885		XC-1000	1	
520001900	LITHIUM BATTERY CR2032-HE2	1885		XC-3000IF	1	
520001900	LITHIUM BATTERY CR2032-HE2	1885		XC-2000	1	
600004200	AC CORD HP-11J/DCB-10	M.PART		XC-1000	1	
600004500	AC CORD DAP-100/DCB-10	M.PART	240AU	XC-2000	1	
600004500	AC CORD DAP-100/DCB-10	M.PART	240AU	XC-3000IF	1	
600004600	AC CORD DEP-101/DCB-10	M.PART	240GE	XC-2000	1	
600004600	AC CORD DEP-101/DCB-10	M.PART	220GE	XC-2000	1	
600004600	AC CORD DEP-101/DCB-10	M.PART	240AF	XC-2000	1	
600004600	AC CORD DEP-101/DCB-10	M.PART	230GE	XC-2000	1	
600004600	AC CORD DEP-101/DCB-10	M.PART	230FR	XC-2000	1	
600004600	AC CORD DEP-101/DCB-10	M.PART	230SC	XC-2000	1	
600004600	AC CORD DEP-101/DCB-10	M.PART	230WG	XC-2000	1	
600004600	AC CORD DEP-101/DCB-10	M.PART	230SC	XC-3000IF	1	
600004600	AC CORD DEP-101/DCB-10	M.PART	230WG	XC-3000IF	1	
600004600	AC CORD DEP-101/DCB-10	M.PART	230FR	XC-3000IF	1	
600004600	AC CORD DEP-101/DCB-10	M.PART	230GE	XC-3000IF	1	
600004600	AC CORD DEP-101/DCB-10	M.PART	240AF	XC-3000IF	1	
600004600	AC CORD DEP-101/DCB-10	M.PART	240GE	XC-3000IF	1	
600004600	AC CORD DEP-101/DCB-10	M.PART	220GE	XC-3000IF	1	
600005000	AC CORD DP-201/DCB-10	M.PART	117US	XC-2000	1	
600005000	AC CORD DP-201/DCB-10	M.PART	117CN	XC-2000	1	
600005000	AC CORD DP-201/DCB-10	M.PART	117EX	XC-2000	1	
600005000	AC CORD DP-201/DCB-10	M.PART	117EX	XC-3000IF	1	
600005000	AC CORD DP-201/DCB-10	M.PART	117CN	XC-3000IF	1	
600005000	AC CORD DP-201/DCB-10	M.PART	117US	XC-3000IF	1	
600005600	AC CORD KP-610/DCB-10/VH	M.PART	230UK	XC-2000	1	
600005600	AC CORD KP-610/DCB-10/VH	M.PART	230UK	XC-3000IF	1	
620023100	X-952 POWER SW KNOB KOC-E40304	M.PART		XC-1000	1	
620023100	X-952 POWER SW KNOB KOC-E40304	M.PART		XC-2000	1	
620023100	X-952 POWER SW KNOB KOC-E40304	M.PART		XC-3000IF	1	
620026800	X-410 SVR KNOB (GRAY) E40239-3	M.PART		XC-1000	3	
620026800	X-410 SVR KNOB (GRAY) E40239-3	M.PART		XC-2000	5	
620026800	X-410 SVR KNOB (GRAY) E40239-3	M.PART		XC-3000IF	3	
620027500	X422 KNOB 2-4-BK H30081-4-BK	M.PART		XC-3000IF	1	
620027600	X422 KNOB 2-3-BK H30081-3-BK	M.PART		XC-1000	1	
620027600	X422 KNOB 2-3-BK H30081-3-BK	M.PART		XC-2000	1	
620027700	X422 KNOB 2-2-BK H30081-2-BK	M.PART		XC-2000	1	
620027700	X422 KNOB 2-2-BK H30081-2-BK	M.PART		XC-3000IF	1	

620027800	X422 KNOB 2-2-GR H30081-2-GR	M.PART		XC-3000IF	1	
620027900	X422 KNOB 2-1-BK H30081-1-BK	M.PART		XC-1000	4	
620027900	X422 KNOB 2-1-BK H30081-1-BK	M.PART		XC-2000	3	
620028000	X422 KNOB 2-1-RD H30081-1-RD	M.PART		XC-1000	1	
620028000	X422 KNOB 2-1-RD H30081-1-RD	M.PART		XC-2000	1	
620029200	X513/6 KNOB 1-CG KOC-H40111-2	M.PART		XC-3000IF	2	NEW
620029300	X513/6 KNOB 1-2-BK H30098-2-BK	M.PART		XC-3000IF	1	NEW
620029400	X-514/7 KNOB2-8-BK H30081-8-BK	M.PART		XC-1000	1	NEW
620029400	X-514/7 KNOB2-8-BK H30081-8-BK	M.PART		XC-2000	1	
620029500	X513/4/7 KNOB2-1CG H30081-1-CG	M.PART		XC-1000	1	NEW
620029500	X513/4/7 KNOB2-1CG H30081-1-CG	M.PART		XC-2000	1	
620029500	X513/4/7 KNOB2-1CG H30081-1-CG	M.PART		XC-3000IF	1	NEW
620029600	X513/6 KNOB 5-4-BK H30097-4-BK	M.PART		XC-3000IF	1	NEW
620029700	X513/4/7 KNOB5-3BK H30097-3-BK	M.PART		XC-1000	2	NEW
620029700	X513/4/7 KNOB5-3BK H30097-3-BK	M.PART		XC-2000	2	
620029700	X513/4/7 KNOB5-3BK H30097-3-BK	M.PART		XC-3000IF	1	NEW
620029800	X513/4/7 KNOB5-2BK H30097-2-BK	M.PART		XC-1000	3	NEW
620029800	X513/4/7 KNOB5-2BK H30097-2-BK	M.PART		XC-2000	4	
620029800	X513/4/7 KNOB5-2BK H30097-2-BK	M.PART		XC-3000IF	3	NEW
620029900	X513/4/7 KNOB5-1BK H30097-1-BK	M.PART		XC-1000	1	NEW
620029900	X513/4/7 KNOB5-1BK H30097-1-BK	M.PART		XC-2000	1	
620029900	X513/4/7 KNOB5-1BK H30097-1-BK	M.PART		XC-3000IF	1	NEW
620030000	X513/6 KNOB 5-8-CG H30097-8-CG	M.PART		XC-3000IF	2	NEW
620030100	X513/6 KNOB 5-1-CG H30097-1-CG	M.PART		XC-3000IF	2	NEW
620030200	X513/6 KNOB 5-1-RD H30097-1-RD	M.PART		XC-3000IF	2	NEW
620030300	X513/6 KNOB 5-2-GR H30097-1-GR	M.PART		XC-3000IF	4	NEW
630022000	X-422 LCD WINDOW KOC-E40409	M.PART		XC-3000IF	1	
630024300	X-514/7 8-SEGMENT LED WINDOW	M.PART		XC-1000	1	NEW
630024300	X-514/7 8-SEGMENT LED WINDOW	M.PART		XC-2000	1	
641015800	X-921ST CHASSIS KOC-C30317	PEDAL UNIT		ST-3000	1	
641015901	PEDAL (GOLD) KOC-C30318-2	PEDAL UNIT		ST-3000	3	
641026901	X-122 L TYPE ANGLE (SMALL)	M.PART		XC-1000	5	
641026901	X-122 L TYPE ANGLE (SMALL)	M.PART		XC-2000	5	
641026901	X-122 L TYPE ANGLE (SMALL)	M.PART		XC-3000IF	5	
641031300	X-120 STOPPER PLATE	M.PART		XC-1000	5	
641031300	X-120 STOPPER PLATE	M.PART		XC-2000	5	
641031300	X-120 STOPPER PLATE	M.PART		XC-3000IF	5	
6.4104E+15	X-517 REAR PANEL L C10185-1	M.PART		XC-1000	1	NEW
641041279	X-517 REAR PANEL R C10185-2	M.PART		XC-1000	1	NEW
641041280	X513/4/7 HEAT SINK (L) C30491	M.PART		XC-1000	1	NEW
641041280	X513/4/7 HEAT SINK (L) C30491	M.PART		XC-2000	1	

641041280	X513/4/7 HEAT SINK (L) C30491	M.PART		XC-3000IF	1	NEW
641041281	X513/4/6 FRONT PANEL1 C10178-1	M.PART		XC-2000	1	
641041281	X513/4/6 FRONT PANEL1 C10178-1	M.PART		XC-3000IF	1	NEW
641041282	X-517 FRONT PANEL 2 C10178-2	M.PART		XC-1000	1	NEW
6.4141E+10	X-517 REAR PANEL L C10185-1	M.PART		XC-1000	1	NEW
641041279	X-517 REAR PANEL R C10185-2	M.PART		XC-1000	1	NEW
641041280	X513/4/7 HEAT SINK (L) C30491	M.PART		XC-1000	1	NEW
641041280	X513/4/7 HEAT SINK (L) C30491	M.PART		XC-2000	1	
641041280	X513/4/7 HEAT SINK (L) C30491	M.PART		XC-3000IF	1	NEW
641041281	X513/4/6 FRONT PANEL1 C10178-1	M.PART		XC-2000	1	
641041281	X513/4/6 FRONT PANEL1 C10178-1	M.PART		XC-3000IF	1	NEW
641041282	X-517 FRONT PANEL 2 C10178-2	M.PART		XC-1000	1	NEW
641041283	X-513/4/7 REAR CHASSIS C10180	M.PART		XC-1000	1	NEW
641041283	X-513/4/7 REAR CHASSIS C10180	M.PART		XC-2000	1	
641041283	X-513/4/7 REAR CHASSIS C10180	M.PART		XC-3000IF	1	NEW
641041284	X-513/4/7 FRONT BAR KOC-C10183	M.PART		XC-1000	1	NEW
641041284	X-513/4/7 FRONT BAR KOC-C10183	M.PART		XC-2000	1	
641041284	X-513/4/7 FRONT BAR KOC-C10183	M.PART		XC-3000IF	1	NEW
641041285	X-514/7 REAR PANEL C2 C10182-2	M.PART		XC-1000	1	NEW
641041285	X-514/7 REAR PANEL C2 C10182-2	M.PART		XC-2000	1	
641041286	X-513/4/7 PCB ANGLE KOC-C30483	M.PART		XC-1000	1	NEW
641041286	X-513/4/7 PCB ANGLE KOC-C30483	M.PART		XC-2000	1	
641041286	X-513/4/7 PCB ANGLE KOC-C30483	M.PART		XC-3000IF	1	NEW
641041287	X513/4/6 FDD ANGLE KOC-C30482	M.PART		XC-2000	1	
641041287	X513/4/6 FDD ANGLE KOC-C30482	M.PART		XC-3000IF	1	NEW
641041288	X513/4/6 REAR PLATE KOC-C41049	M.PART		XC-2000	2	
641041288	X513/4/6 REAR PLATE KOC-C41049	M.PART		XC-3000IF	2	NEW
641041289	X-513/4/7 SW ANGLE KOC-C41045	M.PART		XC-1000	1	NEW
641041289	X-513/4/7 SW ANGLE KOC-C41045	M.PART		XC-2000	1	
641041289	X-513/4/7 SW ANGLE KOC-C41045	M.PART		XC-3000IF	1	NEW
641041290	X-513/4/7 TWEETER CHASSIS	M.PART		XC-1000	2	NEW
641041290	X-513/4/7 TWEETER CHASSIS	M.PART		XC-2000	2	
641041290	X-513/4/7 TWEETER CHASSIS	M.PART		XC-3000IF	2	NEW
641041291	X-513/4/7 HEAT SINK ANGLE L	M.PART		XC-1000	1	NEW
641041291	X-513/4/7 HEAT SINK ANGLE L	M.PART		XC-2000	1	
641041291	X-513/4/7 HEAT SINK ANGLE L	M.PART		XC-3000IF	1	NEW
641041292	X-513/4/7 HEAT SINK ANGLE R	M.PART		XC-1000	1	NEW
641041292	X-513/4/7 HEAT SINK ANGLE R	M.PART		XC-2000	1	
641041292	X-513/4/7 HEAT SINK ANGLE R	M.PART		XC-3000IF	1	NEW
641041293	X513/4/7ST CENTER BOARD ANGLE L	M.PART		ST-3000	1	NEW
641041294	X513/4/7ST CENTER BOARD ANGLE R	M.PART		ST-3000	1	NEW

641041295	X513/4/7ST SIDE BOARD ANGLE L	M.PART		ST-3000	1	NEW
641041296	X513/4/7ST SIDE BOARD ANGLE R	M.PART		ST-3000	1	NEW
641041297	X-513ST VR STAY KOC-C41044	PEDAL UNIT		ST-3000	3	NEW
641041298	X-513/4/7 PEDAL CASE C30486	M.PART		ST-3000	1	NEW
641041304	X513/4/7 KEY COVER ASSY H30093	M.PART		XC-1000	1	NEW
641041304	X513/4/7 KEY COVER ASSY H30093	M.PART		XC-2000	1	
641041304	X513/4/7 KEY COVER ASSY H30093	M.PART		XC-3000IF	1	NEW
641041305	X513/4/7 MUSIC STAND HINGE	M.PART		XC-1000	1	NEW
641041305	X513/4/7 MUSIC STAND HINGE	M.PART		XC-2000	1	
641041305	X513/4/7 MUSIC STAND HINGE	M.PART		XC-3000IF	1	NEW
641041306	X513/4/7 POWER TANS. CHASSIS	M.PART		XC-1000	1	NEW
641041306	X513/4/7 POWER TANS. CHASSIS	M.PART		XC-2000	1	
641041306	X513/4/7 POWER TANS. CHASSIS	M.PART		XC-3000IF	1	NEW
641041307	X513/4/7 HEAT SINK (S) C41052	M.PART		XC-1000	1	NEW
641041307	X513/4/7 HEAT SINK (S) C41052	M.PART		XC-2000	1	
641041308	X513/4/7 KS ANGLE KOC-C41054	M.PART		XC-1000	1	NEW
641041308	X513/4/7 KS ANGLE KOC-C41054	M.PART		XC-2000	1	
641041308	X513/4/7 KS ANGLE KOC-C41054	M.PART		XC-3000IF	1	NEW
641041309	X513/516 PCB CHASSIS1 C10181-1	M.PART		XC-3000IF	1	NEW
641041310	X514/517 PCB CHASSIS2 C10181-2	M.PART		XC-1000	1	NEW
641041310	X514/517 PCB CHASSIS2 C10181-2	M.PART		XC-2000	1	
641041311	X-517 REAR ANGLE L C41062-1	M.PART		XC-1000	1	NEW
641041312	X-517 REAR ANGLE R C41062-2	M.PART		XC-1000	1	NEW
641041313	X513/6 REAR PANEL C1 C10182-1	M.PART		XC-3000IF	1	NEW
641041314	X513/4/7 PHONE JACK CHASSIS	M.PART		XC-1000	1	NEW
641041314	X513/4/7 PHONE JACK CHASSIS	M.PART		XC-2000	1	
641041314	X513/4/7 PHONE JACK CHASSIS	M.PART		XC-3000IF	1	NEW
641041316	X-513/4/7 SHAFT ASSY	M.PART		XC-1000	1	NEW
641041316	X-513/4/7 SHAFT ASSY	M.PART		XC-2000	1	
641041316	X-513/4/7 SHAFT ASSY	M.PART		XC-3000IF	1	NEW
641041317	X513/4/7 KEYBOARD PANEL ASSY	M.PART		XC-1000	1	NEW
641041317	X513/4/7 KEYBOARD PANEL ASSY	M.PART		XC-2000	1	
641041317	X513/4/7 KEYBOARD PANEL ASSY	M.PART		XC-3000IF	1	NEW
641041318	X513/4/7 F LEVER 1 ASSY	M.PART		XC-1000	1	NEW
641041318	X513/4/7 F LEVER 1 ASSY	M.PART		XC-2000	1	
641041318	X513/4/7 F LEVER 1 ASSY	M.PART		XC-3000IF	1	NEW
641041319	X513/4/7 GRIP SUPPORT C40953	M.PART		XC-1000	1	NEW
641041319	X513/4/7 GRIP SUPPORT C40953	M.PART		XC-2000	1	
641041319	X513/4/7 GRIP SUPPORT C40953	M.PART		XC-3000IF	1	NEW
641041331	X513/4/6 COIL SUPPORT C30495		1926	XC-2000	1	
641041331	X513/4/6 COIL SUPPORT C30495	M.PART		XC-1000	1	NEW

641041331	X513/4/6 COIL SUPPORT C30495	M.PART		XC-2000	1	
641041331	X513/4/6 COIL SUPPORT C30495	M.PART		XC-3000IF	1	NEW
641041332	X-513ST ALUMINIUM COLLAR	M.PART		ST-3000	2	NEW
641041349	X513/4/7 WASHER (L) KOC-C41055	M.PART		XC-1000	2	NEW
641041349	X513/4/7 WASHER (L) KOC-C41055	M.PART		XC-2000	2	
641041349	X513/4/7 WASHER (L) KOC-C41055	M.PART		XC-3000IF	2	NEW
644005400	ADJUSTER M6XL27X30	PEDAL UNIT		ST-3000	1	
644005500	X-921ST PEDAL SPRING KOC-C40782	PEDAL UNIT		ST-3000	3	
644006800	X-181 GND SPRING KOC-C40922	M.PART		XC-2000	2	
644007300	X-410 WHEEL SPRING C40689-2	PEDAL UNIT		ST-3000	3	
644007400	GND SPRING (G) KOC-C40970	M.PART		XC-2000	5	
644007400	GND SPRING (G) KOC-C40970	M.PART		XC-3000IF	6	
644007700	GND SPRING	M.PART		XC-2000	1	
644007700	GND SPRING	M.PART		XC-2000	1	
644007800	X-495 S-WHEEL SPRING C41043	M.PART		XC-3000IF	1	
644007900	X513/4/7 KC GROUND SPRING 2L	M.PART		XC-1000	1	NEW
644007900	X513/4/7 KC GROUND SPRING 2L	M.PART		XC-2000	1	
644007900	X513/4/7 KC GROUND SPRING 2L	M.PART		XC-3000IF	1	NEW
644008000	X513/4/7 KC GROUND SPRING 2R	M.PART		XC-1000	1	NEW
644008000	X513/4/7 KC GROUND SPRING 2R	M.PART		XC-2000	1	
644008000	X513/4/7 KC GROUND SPRING 2R	M.PART		XC-3000IF	1	NEW
644008100	ADJUSTER M8XL20X50	PEDAL UNIT		ST-3000	2	NEW
644008200	X513/4/7 SPRING (L) KOC-C41060	M.PART		XC-1000	1	NEW
644008200	X513/4/7 SPRING (L) KOC-C41060	M.PART		XC-2000	1	
644008200	X513/4/7 SPRING (L) KOC-C41060	M.PART		XC-3000IF	1	NEW
645019500	X-516 BOTTOM BAOARD 2 ASSY	M.PART		XC-2000	1	
645019500	X-516 BOTTOM BAOARD 2 ASSY	M.PART		XC-3000IF	1	NEW
645019600	X513/4/7 SPEAKER NET L	M.PART		XC-1000	1	NEW
645019600	X513/4/7 SPEAKER NET L	M.PART		XC-3000IF	1	NEW
645019700	X513/4/7 SPEAKER NET R	M.PART		XC-1000	1	NEW
645019700	X513/4/7 SPEAKER NET R	M.PART		XC-3000IF	1	NEW
645019900	X-517 BOTTOM BOARD 3 ASSY	M.PART		XC-1000	1	NEW
646036700	ST PEDAL SLIDER KOC-E40283	PEDAL UNIT		ST-3000	3	
646039100	X-011/012 WHEEL SUPPORT	M.PART		XC-3000IF	1	
646057300	ST LEG COVER (FRONT)KOC-E30209	M.PART		ST-3000	2	NEW
646057400	ST LEG COVER (REAR) L E30210-1	M.PART		ST-3000	1	NEW
646057500	ST LEG COVER (REAR) R E30210-2	M.PART		ST-3000	1	NEW
646057600	X513/6 KEY BLOCK 1L KOC-E20167	M.PART		XC-3000IF	1	NEW
646057700	X513/6 KEY BLOCK 1R KOC-E20168	M.PART		XC-3000IF	1	NEW
646057800	X-517 KEY BLOCK 2L KOC-E20169	M.PART		XC-1000	1	NEW
646057900	X-517 KEY BLOCK 2R KOC-E20170	M.PART		XC-1000	1	NEW

646058200	X-513/4/7ST PUSH-ARM E40430	PEDAL UNIT		ST-3000	3	NEW
646058300	X-513/4/7ST BASE L E40433-1	M.PART		ST-3000	1	NEW
646058301	X-513/4/7ST BASE R E40433-2	M.PART		ST-3000	1	NEW
646058400	X513/4/7 F STOPPER ASSY H30102	M.PART		XC-1000	2	NEW
646058400	X513/4/7 F STOPPER ASSY H30102	M.PART		XC-2000	2	
646058400	X513/4/7 F STOPPER ASSY H30102	M.PART		XC-3000IF	2	NEW
646058500	X513/4/7 TOP BOARD L E10129-1	M.PART		XC-1000	1	NEW
646058500	X513/4/7 TOP BOARD L E10129-1	M.PART		XC-2000	1	
646058500	X513/4/7 TOP BOARD L E10129-1	M.PART		XC-3000IF	1	NEW
646058600	X513/4/7 TOP BOARD R E10129-2	M.PART		XC-1000	1	NEW
646058600	X513/4/7 TOP BOARD R E10129-2	M.PART		XC-2000	1	
646058600	X513/4/7 TOP BOARD R E10129-2	M.PART		XC-3000IF	1	NEW
646058700	X513/4/7 SIDE BOARD L E10128-1	M.PART		XC-1000	1	NEW
646058700	X513/4/7 SIDE BOARD L E10128-1	M.PART		XC-2000	1	
646058700	X513/4/7 SIDE BOARD L E10128-1	M.PART		XC-3000IF	1	NEW
646058800	X513/4/7 SIDE BOARD R E10128-2	M.PART		XC-1000	1	NEW
646058800	X513/4/7 SIDE BOARD R E10128-2	M.PART		XC-2000	1	
646058800	X513/4/7 SIDE BOARD R E10128-2	M.PART		XC-3000IF	1	NEW
646058900	X513/4/6 SPEAKE SW COVER	M.PART		XC-1000	1	NEW
646059600	X513/4/6/7 POWER SW COVER	M.PART		XC-2000	1	
646059600	X513/4/6/7 POWER SW COVER	M.PART		XC-3000IF	1	NEW
646059700	X513/4/7 MUSIC STAND ASSY	M.PART		XC-1000	1	NEW
646059700	X513/4/7 MUSIC STAND ASSY	M.PART		XC-2000	1	
646059700	X513/4/7 MUSIC STAND ASSY	M.PART		XC-3000IF	1	NEW
646060200	X-514 KEY BLOCK L KOC-E20169	M.PART		XC-2000	1	
646060300	X-514 KEY BLOCK R KOC-E20168	M.PART		XC-2000	1	
646060400	X513/4/7 PIN COVER KOC- SW COVER	M.PART		XC-1000	1	NEW
646059600	X513/4/6/7 POWER SW COVER	M.PART		XC-2000	1	
646059600	X513/4/6/7 POWER SW COVER	M.PART		XC-3000IF	1	NEW
646059700	X513/4/7 MUSIC STAND ASSY	M.PART		XC-1000	1	NEW
646059700	X513/4/7 MUSIC STAND ASSY	M.PART		XC-2000	1	
646059700	X513/4/7 MUSIC STAND ASSY	M.PART		XC-3000IF	1	NEW
646060200	X-514 KEY BLOCK L KOC-E20169	M.PART		XC-2000	1	
646060300	X-514 KEY BLOCK R KOC-E20168	M.PART		XC-2000	1	
646060400	X513/4/7 PIN COVER KOC-E40429	M.PART		XC-1000	2	NEW
646060400	X513/4/7 PIN COVER KOC-E40429	M.PART		XC-2000	2	
646060400	X513/4/7 PIN COVER KOC-E40429	M.PART		XC-3000IF	2	NEW
646061100	X513/4/6/7 KEYCOVER SUPPORT 1	M.PART		XC-1000	1	NEW
646061100	X513/4/6/7 KEYCOVER SUPPORT 1	M.PART		XC-2000	1	
646061100	X513/4/6/7 KEYCOVER SUPPORT 1	M.PART		XC-3000IF	1	NEW
646061200	X513/4/6/7 KEYCOVER SUPPORT 2	M.PART		XC-1000	1	NEW

646061200	X513/4/6/7 KEYCOVER SUPPORT 2	M.PART		XC-2000	1	
646061200	X513/4/6/7 KEYCOVER SUPPORT 2	M.PART		XC-3000IF	1	NEW
646061300	X513/4/7 F HOOK 1 KOC-E30211	M.PART		XC-1000	2	NEW
646061300	X513/4/7 F HOOK 1 KOC-E30211	M.PART		XC-2000	2	
646061300	X513/4/7 F HOOK 1 KOC-E30211	M.PART		XC-3000IF	2	NEW
646061400	X513/4/7 WASHER (S) KOC-E40434	M.PART		XC-1000	2	NEW
646061400	X513/4/7 WASHER (S) KOC-E40434	M.PART		XC-2000	2	
646061400	X513/4/7 WASHER (S) KOC-E40434	M.PART		XC-3000IF	2	NEW
*645ST51300	SIDE BOARD L KOC-D20085-1	M.PART		ST-3000	1	NEW
*645ST51301	SIDE BOARD R KOC-D20085-2	M.PART		ST-3000	1	NEW
*645ST51302	CENTER BAORD L KOC-D20086-1	M.PART		ST-3000	1	NEW
*645ST51303	CENTER BOARD R KOC-D20086-2	M.PART		ST-3000	1	NEW

KEYBOARD 88TP /10MD PARTS LIST

PARTS CODE	PART NAME/IDENTIFICATION NO.
422008553	88TP/10MD K CIRCUIT BOARD LEFT
422008554	88TP/10MD K CIRCUIT BOARD RIGHT
422008555	88TP/10MD K HNS 4VI
422008556	88TP/10MD K SCREW PC BOARD
422008557	88TP/10MD K PLASTIC FULCRUM
422008558	88TP/10MD K METAL FULCRUM
422008559	88TP/10MD K M4 RIVET
422008560	88TP/10MD K METAL PARTS
422008561	88TP/10MD K FELT STOP UNDER B.K.
422008562	88TP/10MD K FELT STOP UPPER B.K.
422008563	88TP/10MD K FELT STOP UP/UNDER WK
422008564	88TP/10MD K HAMMER STRIP 40 KEYS
422008565	88TP/10MD K HAMMER STRIP 48 KEYS
422008566	88TP/10MD K OCTAVE WHITE KEYS
422008567	88TP/10MD K OCTAVE BLACK KEYS
422008568	88TP/10MD K RETURN SPRING B.K.
422008569	88TP/10MD K RETURN SPRING W.K.
422008570	88TP/10MD K SCREW METAL FITTING
422008571	88TP/10MD K HAMMER ASSY

P.C. BOARD IDENTIFICATION LIST

PRODUCT NAME	MAIN	KEY SCAN	POWER PRI	POWER 2ND	POWER ANP.	PANEL
XC-1000	KLM-1885 (001188500) IC31:C303P IC29:× R114:0Ω	KLM-1886 (001188600)	KLM-1887 (001188700)	KLM-1888 (001188800)	KLM-1889 (001188900) R3,R15:3.9K J1:○	KLM-1890 KLM-1891 KLM-1892 (001189000) LED:29 SW:30
XC-2000	KLM-1885 (001188504) IC31:GM2+C303 IC29:GM1 R114:×	KLM-1886 (001188600)	KLM-1887 (001188700)	KLM-1888 (001188800)	KLM-1889 (001188901) R3,R15:2.2K J1:×	KLM-1890 KLM-1891 KLM-1892 (001189002) LED:32 SW:33
XC-2000f (100JP ONLY)	KLM-1885 (001188501) IC31:GM2+C303 IC29:GM1 R114:0Ω	KLM-1886 (001188600)	KLM-1887 (001188700)	KLM-1888 (001188800)	KLM-1889 (001188901) R3,R15:2.2K J1:×	KLM-1890 KLM-1891 KLM-1892 (001189001) LED:32 SW:33
XC-3000i (100JP ONLY)	KLM-1885 (001188502) IC31:GM2+A IC29:GM1 R114:×	KLM-1886 (001188600)	KLM-1887 (001188700)	KLM-1888 (001188800)	KLM-1889 (001188901) R3,R15:2.2K J1:×	KLM-1893 KLM-1894 KLM-1897 (001189300)
XC-3000if	KLM-1885 (001188503) IC31:GM2+A IC29:GM1 R114:0Ω	KLM-1886 (001188600)	KLM-1887 (001188700)	KLM-1888 (001188800)	KLM-1889 (001188901) R3,R15:2.2K J1:×	KLM-1893 KLM-1894 KLM-1897 (001189300)

○ : MOUNTED × : NO MOUNTED

GM1 : MB8316200A or MX23C1610MC

GM2+C303 : uPD23C32000GX-324 GM2+A : uPD23C32000GX-369 C-303P : uPD23C16000WGX-550

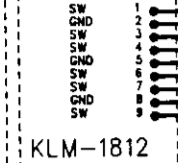
P.C. BOARD IDENTIFICATION LIST

PRODUCT NAME	MIC	KEY WEIGHT CONTROL	SENSOR SW	HEADPHONE	NETWORK
XC-1000	NO USED	NO USED	NO USED	KLM-1918 KLM-1919 (001191800)	NO USED
XC-2000	KLM-1896 (001189600)	NO USED	NO USED	KLM-1918 KLM-1919 (001191800)	KLM-1926 (001192600)
XC-2000f	KLM-1896 (001189600)	KLM-1898 KLM-1899 KLM-1900 (001189800)	KLM-1812 (001181201) HARNESS :HNS-2372	KLM-1918 KLM-1919 (001191800)	KLM-1926 (001192600)
XC-3000i	KLM-1896 (001189600)	KLM-1898 KLM-1899 KLM-1900 (001189800)	KLM-1812 (001181202) HARNESS :HNS-2371	KLM-1918 KLM-1919 (001191800)	KLM-1926 (001192600)
XC-3000if	KLM-1896 (001189600)	NO USED	NO USED	KLM-1918 KLM-1919 (001191800)	KLM-1926 (001192600)

KEY WEIGHT CONT.
for XC-3000i

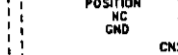
FATAR KEY

LIMIT.SW



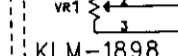
MOTOR2.PCB

KLM-1900



KWCVR.PCB

KLM-1898



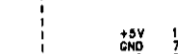
MAIN.PCB

KLM-1885



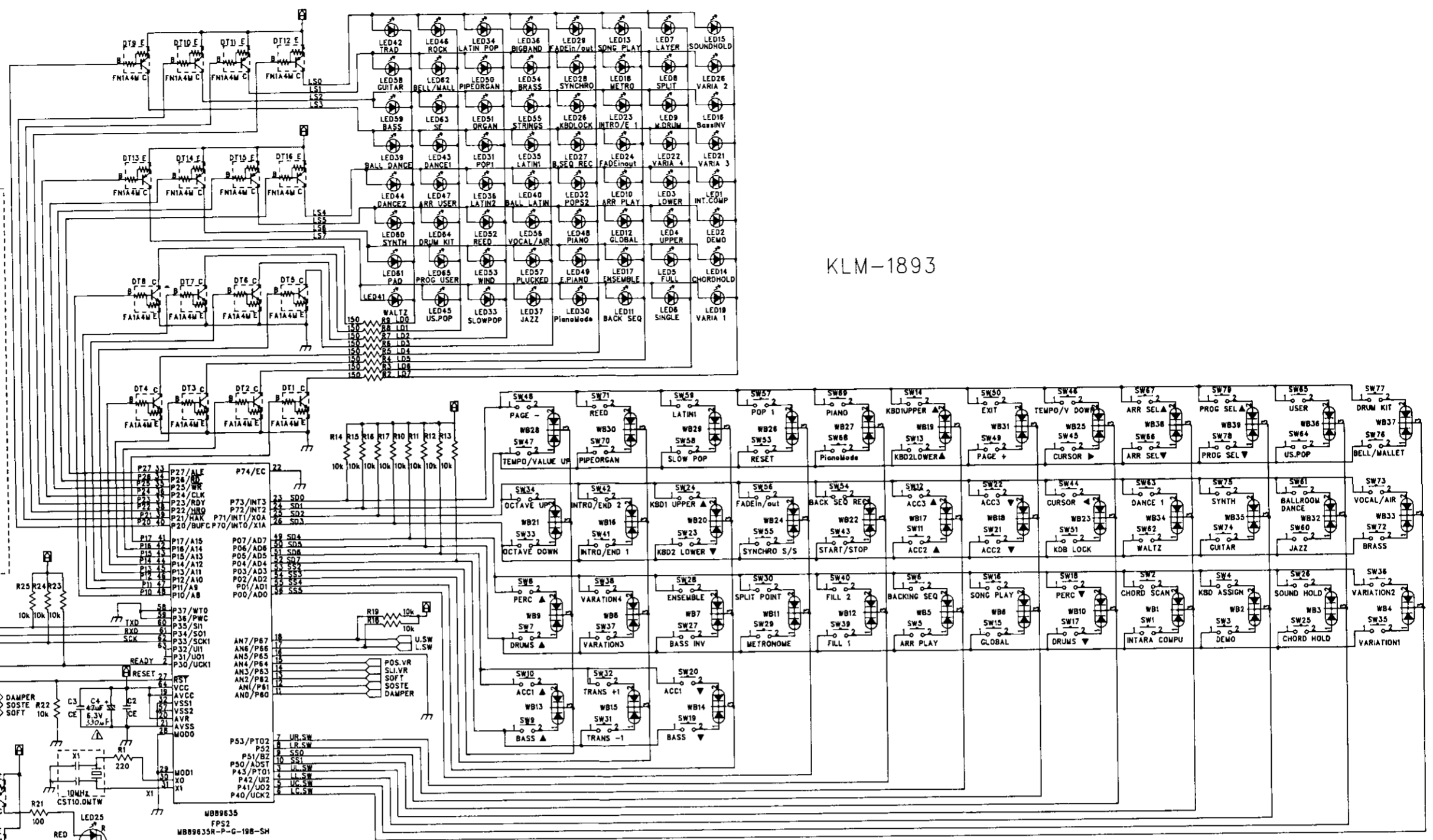
MAIN.PCB

KLM-1894



MAIN.PCB

KLM-1885



KLM-1893

SW : EVQ21509K-T
LED : SLZ-190B-03-T2
WB : MC-2838
CE : 0.1uF

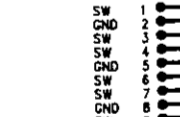
KLM-1893/1894/1898 For XC-3000IF

KEY WEIGHT CONT.
for XC-2000f

FATAR KEY

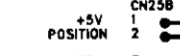
LIMIT.SW

KLM-1812



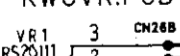
MOTOR2.PCB

KLM-1900



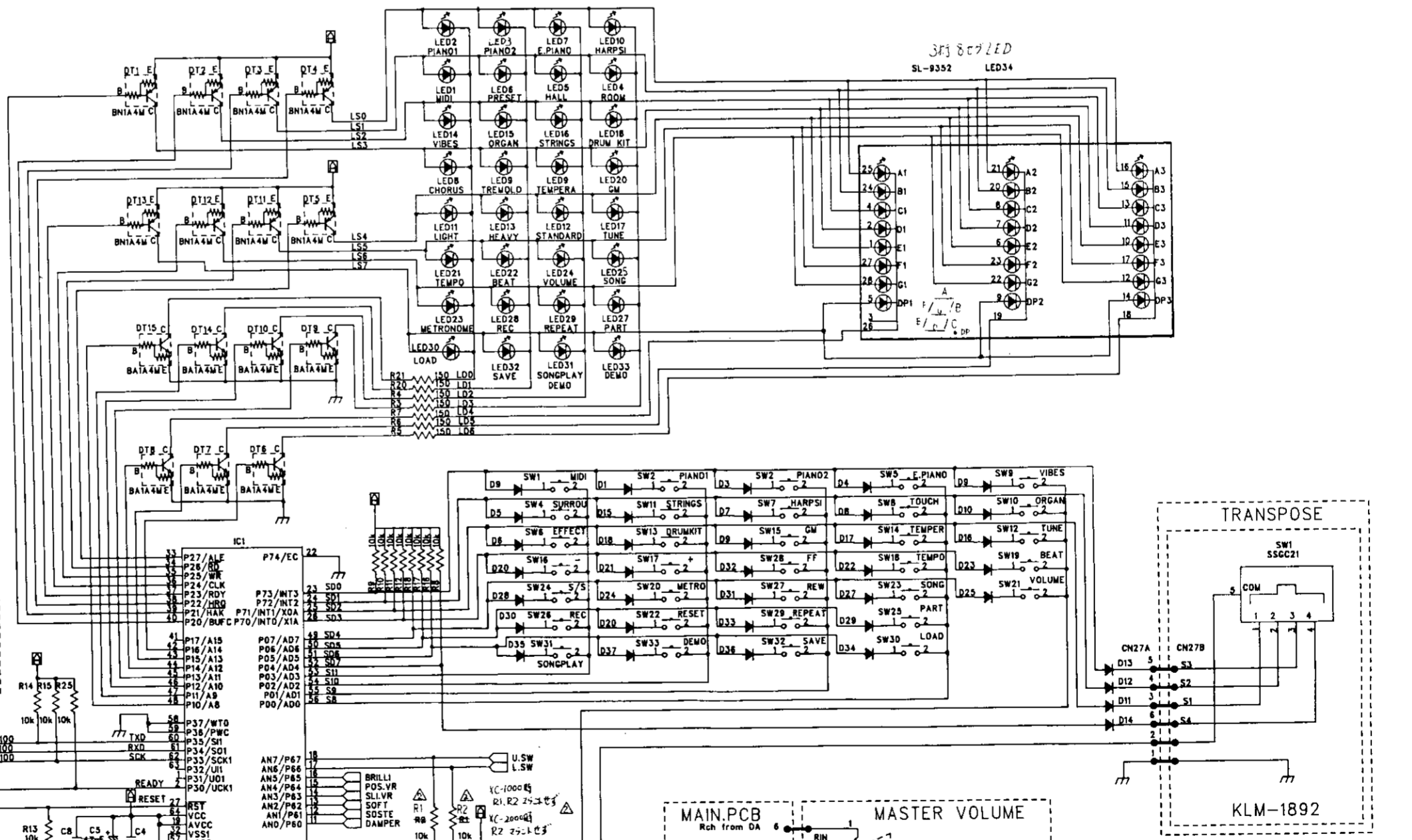
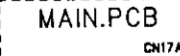
KWCVR.PCB

KLM-1898



MAIN.PCB

KLM-1885



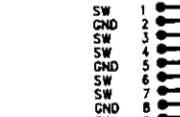
SLZ-190B LED34

KEY WEIGHT CONT.
for XC-1000/2000

FATAR KEY

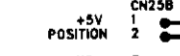
LIMIT.SW

KLM-1812



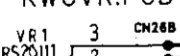
MOTOR2.PCB

KLM-1900



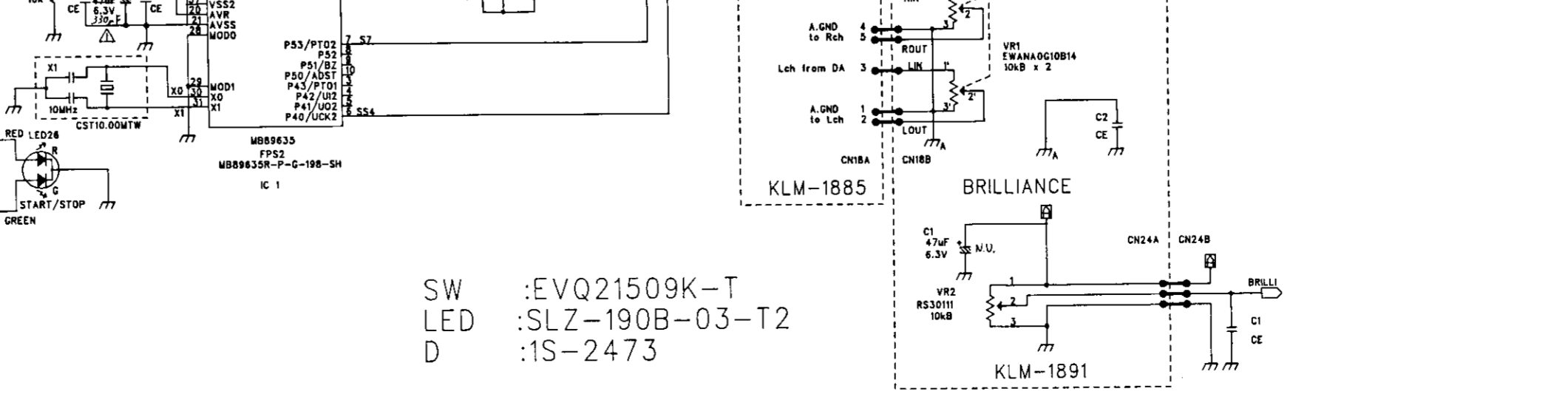
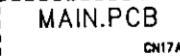
KWCVR.PCB

KLM-1898



MAIN.PCB

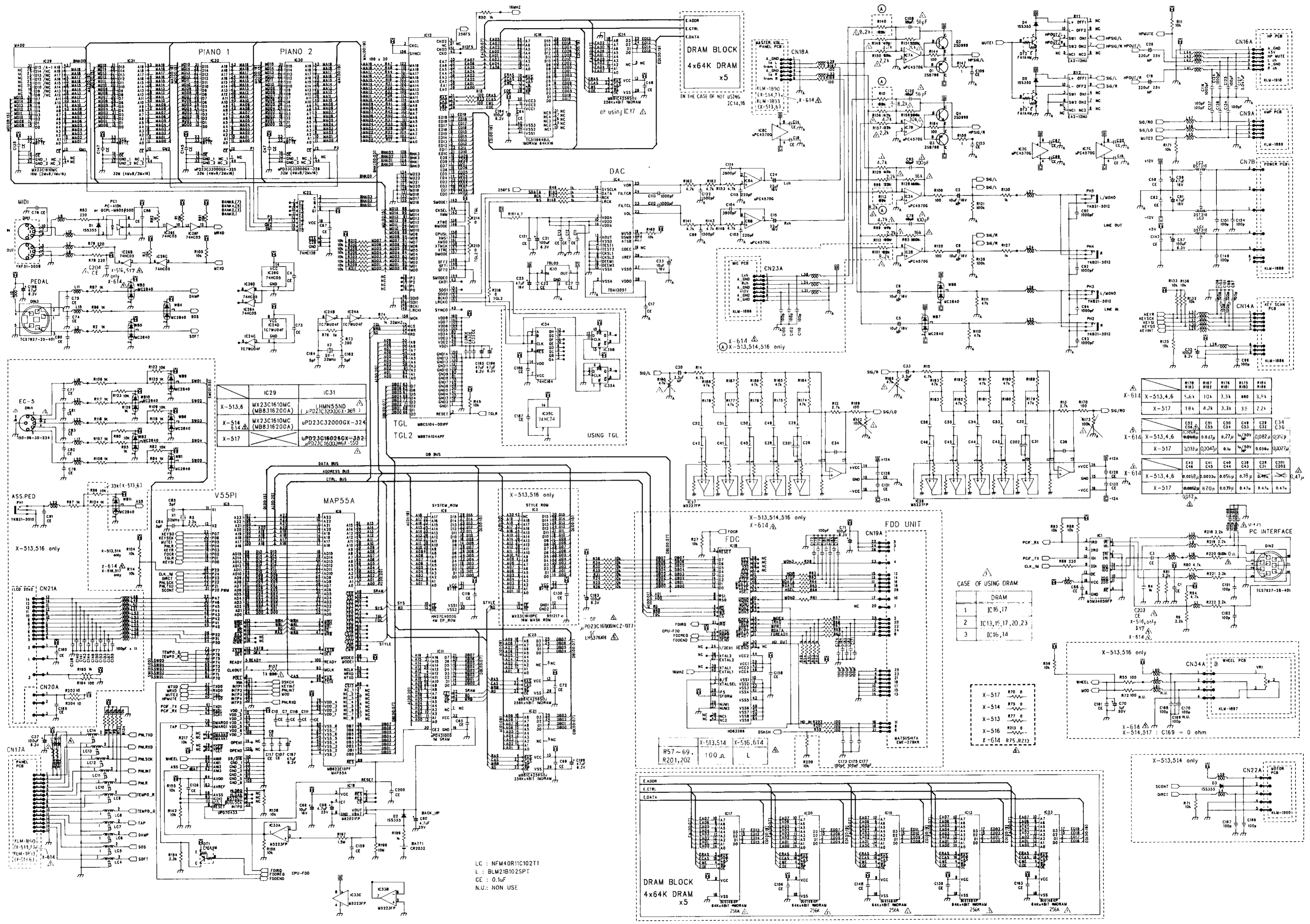
KLM-1885



SW : EVQ21509K-T
LED : SLZ-190B-03-T2
D : 1S-2473

CE : 0.1uF
NU : NO USE

KLM-1890/1891/1892/1898 For XC-1000/2000



	IC29	IC31
X-513,6	MX23C1610WC (MB8316200A)	(μ P)HM55ND (P23C32000CX-32)
X-514	MX23C1610WC (MB8316200A)	UPD23C32000CX-32
X-517		UPD23C16026CX-32

	R176	R187	R176	R175	R184
X-513,4,6	5.6k	10k	3.3k	880	3.2k
X-517	1.8k	4.7k	3.3k	30	2.2k

	C22	C31	C30	C48	C19	C34
X-513,4,6	0.0047 μ	0.0047 μ	0.027 μ	1/20V	0.082 μ	0.027 μ
X-517	0.0033 μ	0.0047 μ	0.1 μ	1/20V	0.036 μ	0.027 μ

	C42	C45	C40	C38	C201
X-513,4,6	0.068 μ	0.0033 μ	0.056 μ	0.1 μ	0.47 μ
X-517	0.0033 μ	0.20 μ	0.075 μ	0.47 μ	0.47 μ

CASE OF USING DRAM

	DRAM
1	IC16,17
2	IC13,15,17,20,23
3	IC16,14

X-517	R70 0
X-514	R75 0
X-513	R77 0
X-516	R213 0
X-614	R75, R213

LC : NFM40R1C0211
 L : BLM21B025PT
 CE : 0.1 μ F
 NU : NON USE

VAROITUS

Paristo voi räjähtää, jos se on virheellisesti asennettu.
Vaihda paristo ainoastaan laitevalmistajan suosittelemaan
tyyppiin. Hävitä käytetty paristo valmistajan ohjeiden
mukaisesti.

ADVARSEL!

Lithiumbatteri – Eksplosionsfare ved fejlagtig handling.
Udskiftning må kun ske med batteri af samme
fabrikat og type.
Levér det brugte batteri tilbage til leverand ø ren.

ADVERSEL

Eksplosjonsfare ved feilaktig skifte av batteri.
Benytt samme batteritype eller en tilsvarende
type anbefalt av apparatfabrikanten.
Brukte batterier kasseres i henhold til fabrikantens
instruksjoner.

VARNING

Explosionsfara vid felaktigt batteribyte.
Använd samma batterityp eller en ekvivalent typ som
rekommenderas av apparattillverkaren.
Kassera använt batteri enligt fabrikantens instruktion.

CAUTION

Danger of explosion if battery is incorrectly replaced .
Replace only with the same or equivalent type
recommended by the equipment manufacturer .
Discard used batteries according to manufacturer 's
instructions.

KORG

KORG INC. 15-12, Shimotakaido 1-chome, Suginami-ku, Tokyo 168

© KORG INC. 1996

0810 CEH PRINTED IN JAPAN