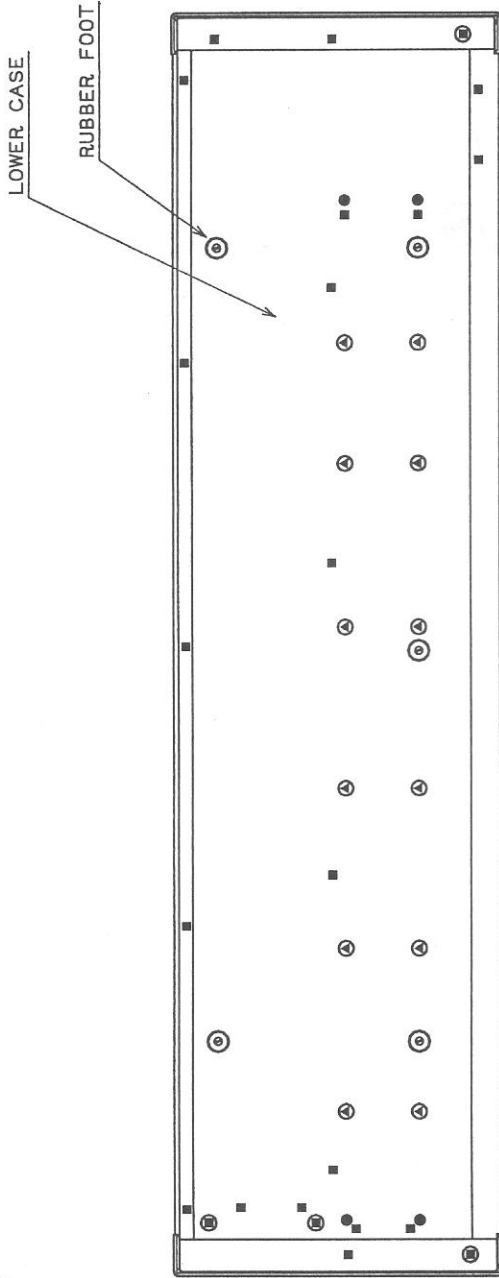
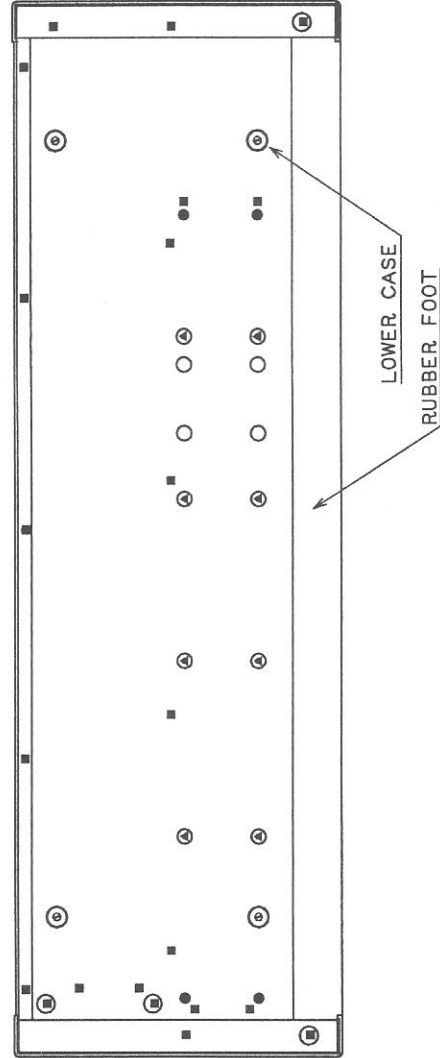


1. DISASSEMBLY

DISASSEMBLY (1/5)



• N264 (X-512)



• N364 (X-511)

▲	BT	B	BZMC	4X8	8	1	2
■	BT	B	BZMC	4X10	2	2	2
○					X-511 X-512		
MARK	SCREWS				Q	1	Q

SERVICE MANUAL

N264

MUSIC WORKSTATION

N364

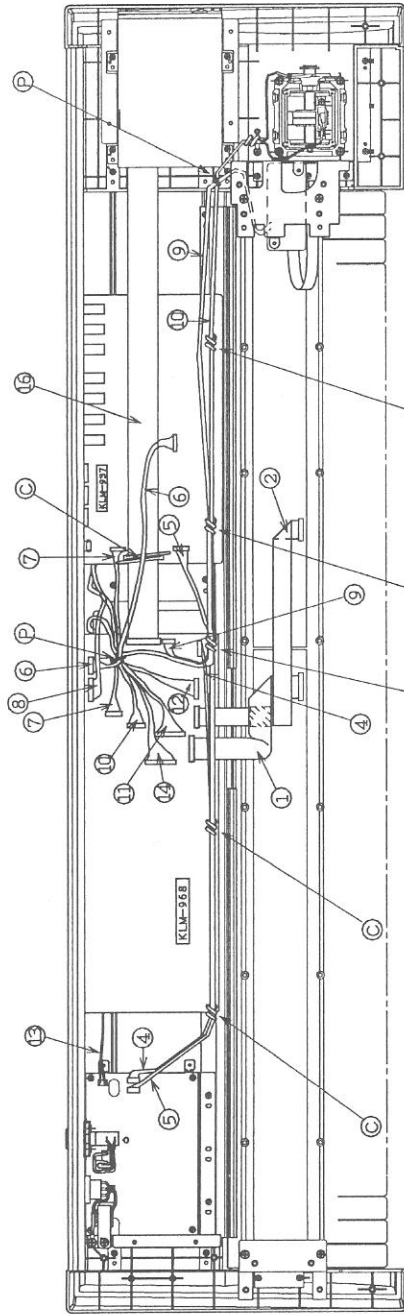
MUSIC WORKSTATION

CONTENTS

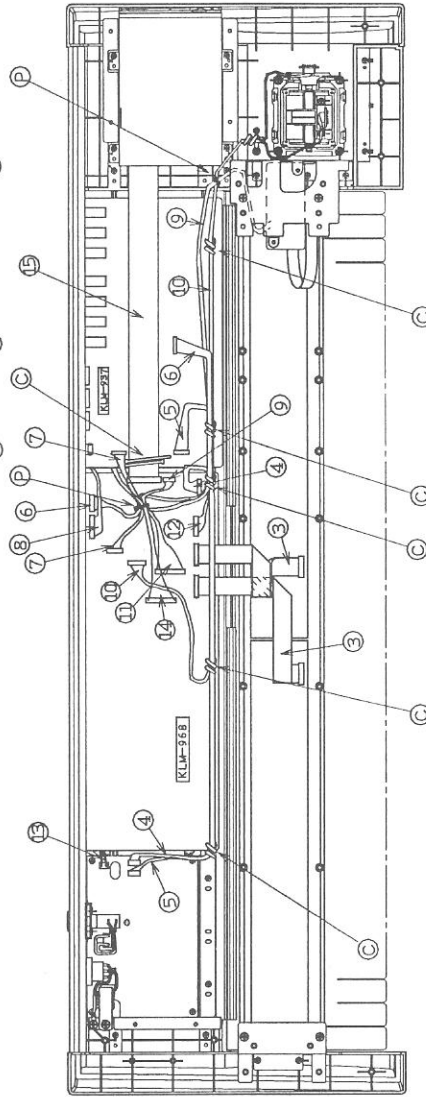
1. DISASSEMBLY 1
2. BLOCK DIAGRAM 6-a
3. CIRCUIT DIAGRAM(insertion) 6-b
4. PARTS LIST 7

KORG

DISASSEMBLY (2/5)



• N264 (X-512)

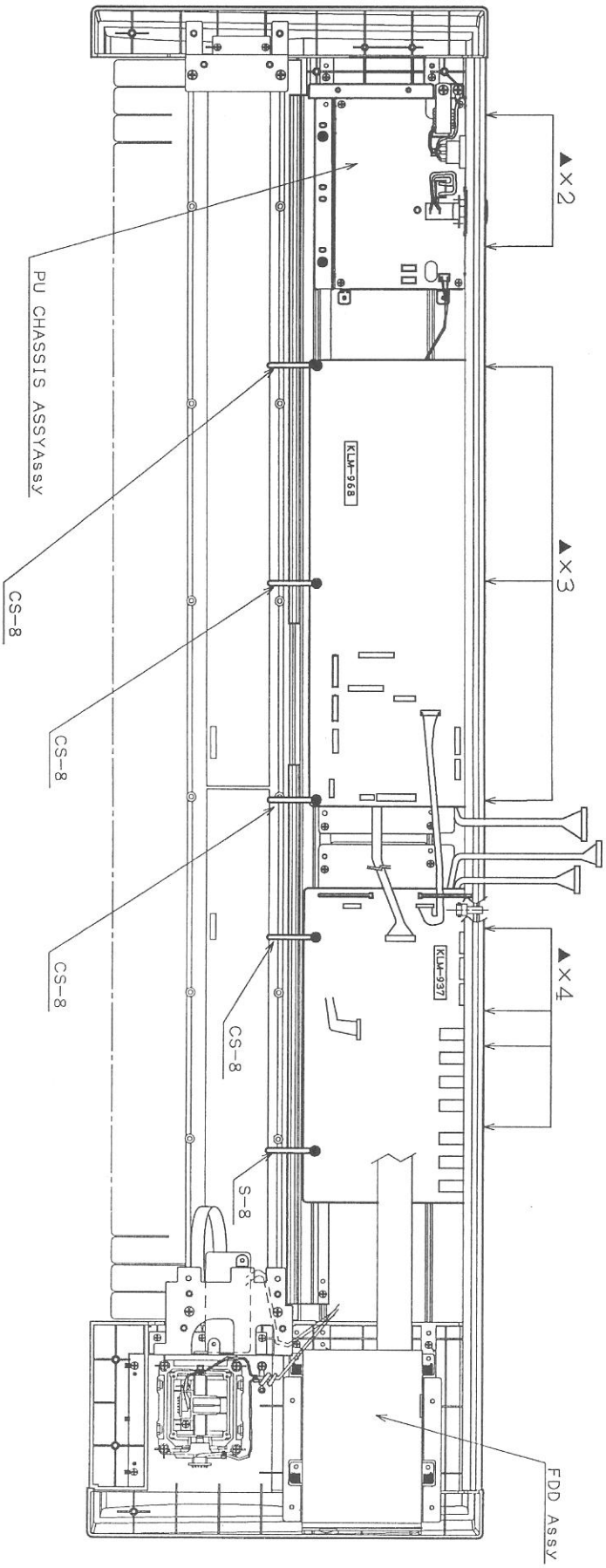


• N364 (X-511)

MARK	HWS No.	CONNECTIONS
1	8000	KBD — KLM968 (MaIn)
2	8028	KBD — KLM968 (MaIn)
3	2059	KBD — KLM968 (MaIn)
4	8032	Power — KLM968 (MaIn)
5	8033	KLM937 (Jack) — Power
6	8034	KLM937 (Jack) — KLM968 (MaIn)
7	8035	KLM937 (Jack) — KLM968 (MaIn)
8	8036	KLM1647 (Panel L) — KLM968 (MaIn)
9	8037	KLM938 (A.T) — KLM968 (MaIn)
10	8038	J.S — KLM968 (MaIn)
11	1905	KLM1948 (Panel R) — KLM968 (MaIn)
12	1906	KLM1947 (Panel L) — KLM968 (MaIn)
13	8004	LCD — Power
14	8012	LCD — KLM968 (MaIn)
15	FLAT CABLE	FDD — KLM968 (MaIn)
16	FLAT CABLE	FDD — KLM968 (MaIn)
17	FLAT CABLE	FDD — KLM968 (MaIn)

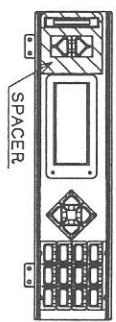
DISASSEMBLY (3/5)

• N264 (X-512)

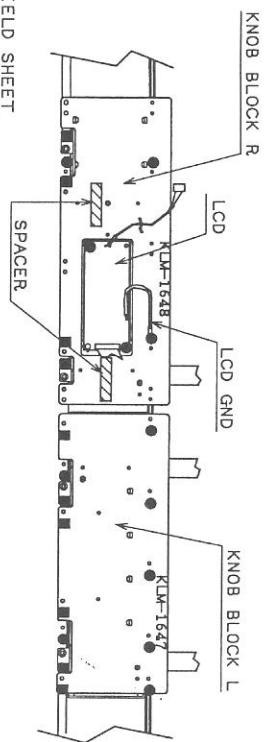


▲	BT B	BZMC	3X8	9	9
■	BT B	ZMC	3X10	4	4
●	BT B	ZMC	3X8	7	7
MARK	SCREWS			X-511	X-512
				QTY	QTY

DISASSEMBLY (4/5)



SPACER



KNOB BLOCK R

LCD

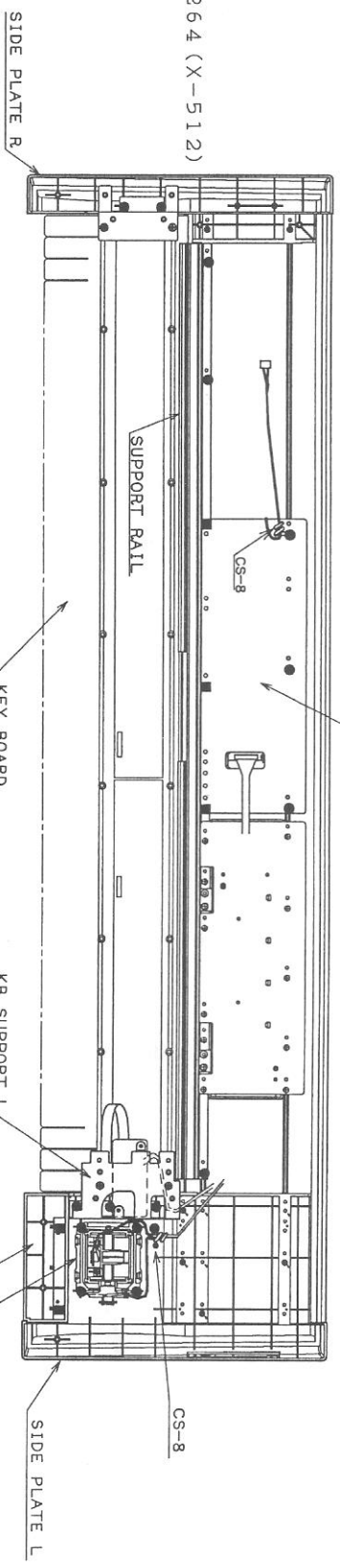
LCD GND

KNOB BLOCK L

SHIELD SHEET

SPACER

• N264 (X-512)



SIDE PLATE R

SUPPORT RAIL

KEY BOARD

KB SUPPORT L

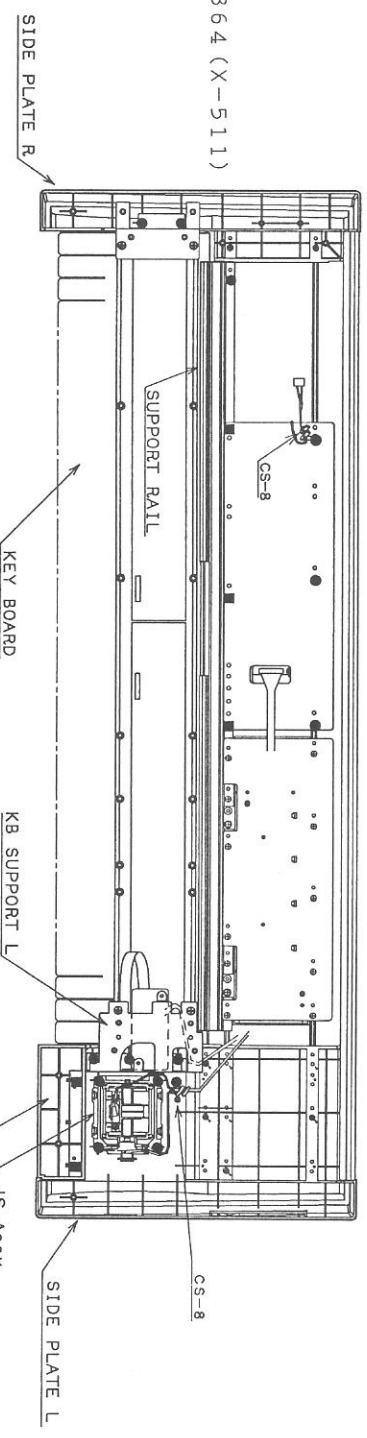
JS Assy

CP COVER

SIDE PLATE L

CS-8

• N364 (X-511)



SIDE PLATE R

SUPPORT RAIL

KEY BOARD

KB SUPPORT L

JS Assy

CP COVER

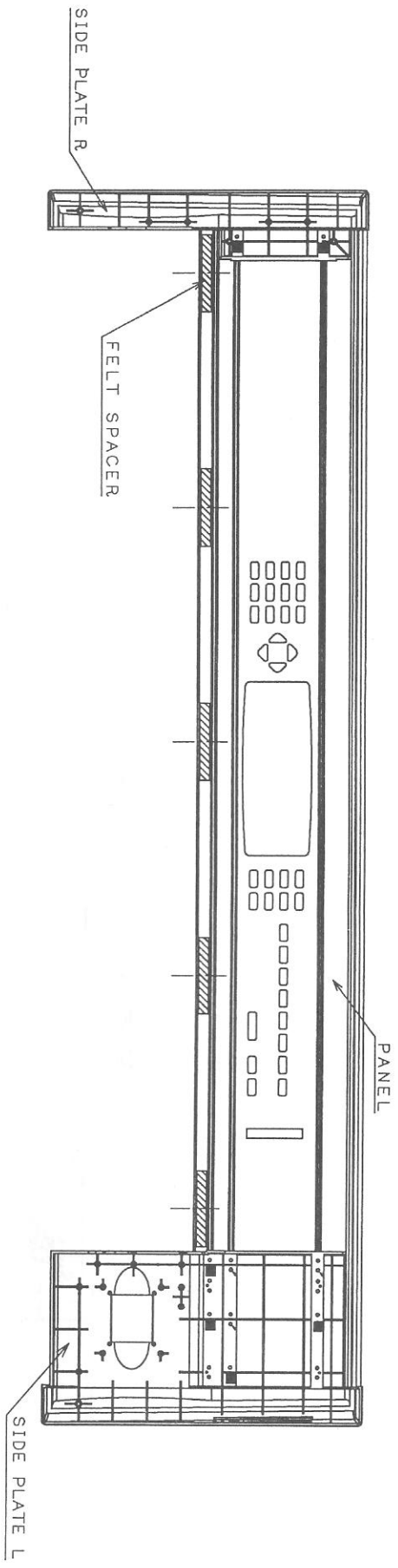
SIDE PLATE L

CS-8

■	BT B	ZMC	3X10	15	15
●	BT B	ZMC	3X8	26	28
MARK	SCREWS			X-511	X-512
				QTY	QTY

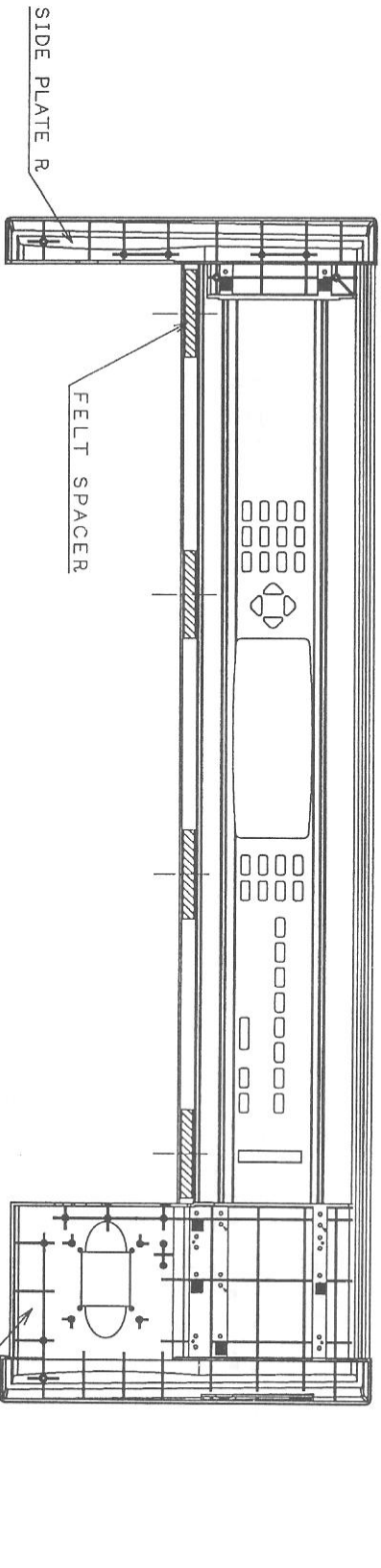
DISASSEMBLY (5/5)

• N264 (X-512)



5

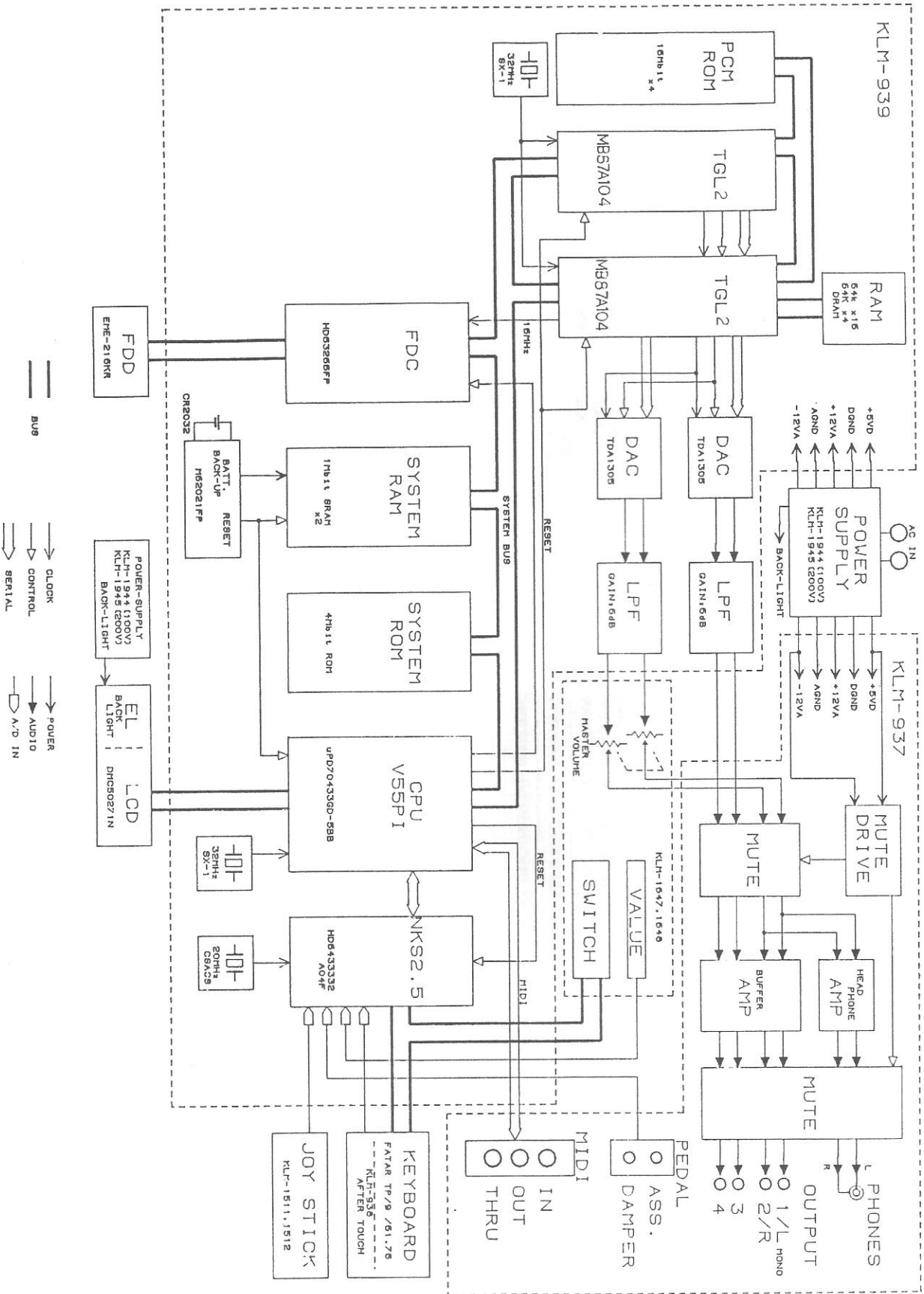
• N364 (X-511)



■	BT B	ZMC	3X10	6	6
MARK	SCREWS			X-511	X-512
				Q'TY	Q'TY

SIDE PLATE L

2. BLOCK DIAGRAM



FOR N264

4. PARTS LIST

PART CODE	PART NAME/SPECIFICATION	P.C.BOARD	NOTE	QTY	MARK
001093701	PCB ASSY KLM-937 FOR N264/364	M.PART	JACK	1	NEW
001096800	PCB ASSY KLM-968 FOR N264	M.PART	MAIN	1	NEW
001164701	PCB ASSY KLM-1647/48 FOR N264/364	M.PART	PANEL	1	NEW
002194400	POWER SUPPLY UNIT KLM-1944	M.PART	117US	1	
		M.PART	117CN	1	
		M.PART	117EX	1	
		M.PART	100IP	1	
002194500	POWER SUPPLY UNIT KLM-1945	M.PART	220GE	1	
		M.PART	240AU	1	
		M.PART	230GE	1	
		M.PART	230FR	1	
		M.PART	230WG	1	
		M.PART	230SC	1	
		M.PART	230UK	1	
313002800	LCD DMC-50271N-SEW-B-1	M.PART		1	
320001068	IC UPD74HCU04C	968	HC_MOS	1	
320001242	IC UPC4570HA	937	OP_AMP	2	
		968	OP_AMP	2	
		968	CPU	1	
320001529	IC UPD70433GD-16-5B8	968	WAVE_ROM	1	
320001559	IC UPD23C16000WG-551	968	S_RAM	2	
320001564	IC UPD431000ACZ-70L(DIP)	968	HC_MOS	2	
320004101	IC HD74HC139P	968	HC_MOS	3	
320004108	IC HD74HC138P	968	HC_MOS	1	
320004160	IC HD74HC04P	968	HC_MOS	2	
320004291	IC HD74HC573P	968	HC_MOS	1	
320004359	IC HD74HC05P	937	HC_MOS	1	
320004538	IC HD63266F	968	FDC	1	
320004638	IC HD643332A04F	968	NKS2.5	1	
320004643	IC HD74AC74P	968	AC_MOS	1	
320009001	IC NJM-4558D-V	938	OP_AMP	1	
320011026	IC M52116L-600Y	937	OP_AMP	1	
320011065	IC M-5223L	968	OP_AMP	1	
320011143	IC M62021L	968	RESET	1	
320012181	IC MB87A104APF-G-BND	968	TGL2	2	
320012193	IC MB8316200BPF-G-874	968	WAVE_ROM	1	
320013055	IC LH5370WW	968	WAVE_ROM	1	
320013056	IC LH5370WV	968	WAVE_ROM	1	
320021146	IC TMS27C240-10JL	968	EP_ROM	1	
320043001	IC IN41464P-10	968	D_RAM	1	
324005003	IC LC321664AJ-80-TRM	968	D_RAM	1	
324009004	IC NJM78L05UA-TE2	968	REGULATOR	1	
324038002	IC TDA1305T/N1-T	968	DAC	2	
330001400	PHOTO COUPLER PC-910K	937		1	
334000500	SB COIL SBT-0260 TF	937		8	
335400080	CRYSTAL OSC SX-1 32.000MHZ	968		2	
335400113	CERAMIC OSC CSACS20MX-040-TC	968		1	
350002422	SEMI FIXED VR RH0615C J5 220K	938		1	
350002447	SEMI FIXED VR RH0615C S5 470K	938		1	
360024500	VR RK11K1140ADWA 10KB(SPECIAL) 1511			1	
			1512	1	
362006400	VR RK09K1110AWNA		937	1	
365007800	SLIDE VR RS30111AC00NB 10KB		1648	1	
365008000	SLIDE VR RS30112AC00JB 10KBX2		1647	1	
375010500	TOUCH SW EVQ-PAC09K-A		1647	19	
			1648	18	
375011500	POWER SW J-U3065#01		M.PART	1	
420005900	76TP/9+PCBOARD+AFTERTOUCH		M.PART	1	NEW
435001500	3.5INCH FDD EME-216KR		M.PART	1	
450002300	PHONE JACK LGR4502-5000 (STEREO) 937			3	
450002400	PHONE JACK LGR4501-5000 (MONO) 937			4	
480001403	IC SOCKET 40P DICF-40CS-E		968	1	
480010380	DIN JACK YKF51-5041 (3P)		937	1	
520001900	LITHIUM BATTERY CR2032-HE2		968	1	
525000100	DATA LINE FILTER ESD-R-25D-B		M.PART	1	
540020200	INLET SOCKET SS-7B		M.PART	1	
545050680	FLAT CABLE TFL-125K-26-500		M.PART	1	NEW
600005100	AC CORD KP-610 GTBS-3 KS-31AY		M.PART	1	230UK
600005300	AC CORD DC-480-J01		M.PART	1	100JP
600005400	AC CORD EC-652-E03		M.PART	1	220GE
			M.PART	1	230GE
			M.PART	1	230FR
			M.PART	1	230WG
			M.PART	1	230SC
			M.PART	1	117EX
			M.PART	1	117US
			M.PART	1	117CN
			M.PART	1	240AU
620024600	X-952 POWER SW KNOB E40304-2		M.PART	1	
630019300	X-115 SHIELD SHEET KOC-C30414		M.PART	1	
630025600	X-511/512 LCD WINDOW		M.PART	1	
641021900	X-943 JACK PLATE		M.PART	1	
641037300	X-145/146 METAL FITTING OF PCB		968	3	
641039400	X-115 FDD ANGLE KOC-C20273		M.PART	1	
641041147	X-316 KB SUPPORT L KOC-C30425		M.PART	1	
641041148	X-316 KB SUPPORT R KOC-C40940		M.PART	1	
641041360	X-512 PANEL		M.PART	1	NEW
641041361	X-512 LOWER CASE		M.PART	1	NEW
641041364	X-512 SUPPORT RAIL		M.PART	1	NEW
641041370	X-511/512 PU CHARSSIS 1		M.PART	1	NEW

FOR N364

PART CODE	PART NAME/SPECIFICATION	P.C.BOARD NOTE	QTY	MARK
644006200	X-011/012 WHEEL SPRING	M.PART	2	
646038900	X-011/012 JOYSTICK FRAME	M.PART	1	
646039000	X-011/012 VR PLATE	M.PART	1	
646039100	X-011/012 WHEEL SUPPORT	M.PART	1	
646039200	X-011/012 JOYSTICK LEVER	M.PART	1	
646046601	X-511/512 SIDE PLATE L	M.PART	1	NEW
646046701	X-511/512 SIDE PLATE R	M.PART	1	NEW
646046801	X-511/512 KNOB BLOCK L	M.PART	1	NEW
646046901	X-511/512 KNOB BLOCK R	M.PART	1	NEW
646048601	X-511/512 CP COVER	M.PART	1	NEW
646062400	X-511/512 JS COVER	M.PART	1	NEW
646062500	X-511/512 JS WHEEL	M.PART	1	NEW
646062600	X-511/512 SVR KNOB	M.PART	2	NEW

PART CODE	PART NAME/SPECIFICATION	P.C.BOARD NOTE	QTY	MARK
001093701	PCB ASSY KLM-937 FOR N264/364	M.PART	1	NEW
001096801	PCB ASSY KLM-968 FOR N364	M.PART	1	NEW
001164701	PCB ASSY KLM-164/748 FOR N264/364	M.PART	1	NEW
002194400	POWER SUPPLY UNIT KLM-1944	M.PART	1	NEW
002194500	POWER SUPPLY UNIT KLM-1945	M.PART	1	NEW
313002800	LCD DMC50271N-SEW-B-1	M.PART	1	NEW
320001068	IC UPD74HC04C	968	1	HC_MOS
320001242	IC UPC4570HA	937	2	OP_AMP
320001529	IC UPD70433GD-16-5BB	968	1	CPU
320001559	IC UPD23C16000WGK-551	968	1	WAVE_ROM
320001564	IC UPD431000ACZ-70L(DIP)	968	2	S_RAM
320004101	IC HD74HC139P	968	2	HC_MOS
320004108	IC HD74HC138P	968	3	HC_MOS
320004160	IC HD74HC04P	968	2	HC_MOS
320004291	IC HD74HC573P	968	2	HC_MOS
320004359	IC HD74HC05P	937	1	HC_MOS
320004538	IC HD63266F	968	1	FDC
320004638	IC HD6433332A04F	968	1	NKS2.5
320004643	IC HD74ACT74P	968	1	AC_MOS
320009001	IC NIM-4558D-V	938	1	OP_AMP
320011026	IC MS216L-600Y	937	1	OP_AMP
320011065	IC M-5223L	968	1	OP_AMP
320011143	IC M62021L	968	1	RESET
320012181	IC MB87A104APF-G-BND	968	2	TGL2
320012193	IC MB8316200BPF-G-874	968	1	WAVE_ROM
320013055	IC LH5370WW	968	1	WAVE_ROM
320013056	IC LH5370WV	968	1	WAVE_ROM
320021146	IC TMS27C240-10JL	968	1	EP_ROM
320043001	IC IN4146P-10	968	1	D_RAM
324005003	IC LC321664AJ-80-TRM	968	1	D_RAM
324009004	IC NIM78105UA-TE2	968	1	REGULATOR
324038002	IC TDA1305T/N1-T	968	2	DAC
330001400	PHOTO COUPLER PC-910K	937	1	
334000500	SB COIL SBT-0260 TF	937	8	
335400080	CRYSTAL OSC SX-1 32.000MHZ	968	2	
335400113	CERAMIC OSC CSAGS20MX-040-TC	968	1	
350002422	SEMI FIXED VR RH0615C J5 220K	938	1	
350002447	SEMI FIXED VR RH0615C S5 470K	938	1	
360024500	VR RK11K1140ADWA 10KB(SPECIAL)	1511	1	
362006400	VR RK09K1110AWNA	1512	1	
365007800	SLIDE VR RS30111AC00NB 10KB	937	1	
		1648	1	

PART CODE	PART NAME/SPECIFICATION	P.C.BOARD	NOTE	QTY	MARK
365008000	SLIDE VR RS30112AC00JB 10K BX2	1647		1	
375010500	TOUCH SW EVQ-PAC09K-A	1648		18	
		1647		19	
375011500	POWER SW J-U3065#01	M.PART		1	
420005800	61TP/9S+PCBOARD+AFTER TOUCH	M.PART		1	NEW
435001500	3.5INCH FDD EME-216KR	M.PART		1	NEW
450002300	PHONE JACK LGR4502-5000 (STEREO)	937		3	
450002400	PHONE JACK LGR4501-5000 (MONO)	937		4	
480001403	IC SOCKET 40P DICE-40CS-E	968		1	
480010380	DIN JACK YKF51-5041 (3P)	937		1	
520001900	LITHIUM BATTERY CR2032-HE2	968		1	
525000100	DATA LINE FILTER ESD-R-25D-B	M.PART		1	
540020200	INLET SOCKET SS-7B	M.PART		1	
545050670	FLAT CABLE TPL-125K-26-350	M.PART		1	NEW
600005100	AC CORN KP-610 GTBS-3 KS-31AY	M.PART	230UK	1	
600005300	AC CORN DC-480-J01	M.PART	100P	1	
600005400	AC CORN EC-652-E03	M.PART	230SC	1	
		M.PART	230WG	1	
		M.PART	230GE	1	
		M.PART	230ER	1	
		M.PART	220GE	1	
		M.PART	117EX	1	
		M.PART	117US	1	
		M.PART	117CN	1	
600005500	AC CORN UC-948-J01	M.PART	240AU	1	
600005700	AC CORN UC-953-J01	M.PART		1	
600005800	AC CORN SC-111-J01	M.PART		1	
620024600	X-952 POWER SW KNOB E40304-2	M.PART		1	
630019300	X-115 SHIELD SHEET KOC-C30414	M.PART		1	
630025600	X-511/512 LCD WINDOW	M.PART		1	
641021900	X-943 JACK PLATE	937		1	
641021900	X-943 JACK PLATE	M.PART		1	
641037300	X-145/146 METAL FITTING OF PCB	968		3	
641039400	X-115 FDD ANGLE KOC-C20273	M.PART		1	
641041147	X-316 KB SUPPORT L KOC-C30425	M.PART		1	
641041148	X-316 KB SUPPORT R KOC-C40940	M.PART		1	
641041333	X-511 LOWER CASE	M.PART		1	NEW
641041359	X-511 PANEL	M.PART		1	NEW
641041363	X-511 SUPPRT RAIL	M.PART		1	NEW
641041370	X-511/512 PU CHASSIS 1	M.PART		1	NEW

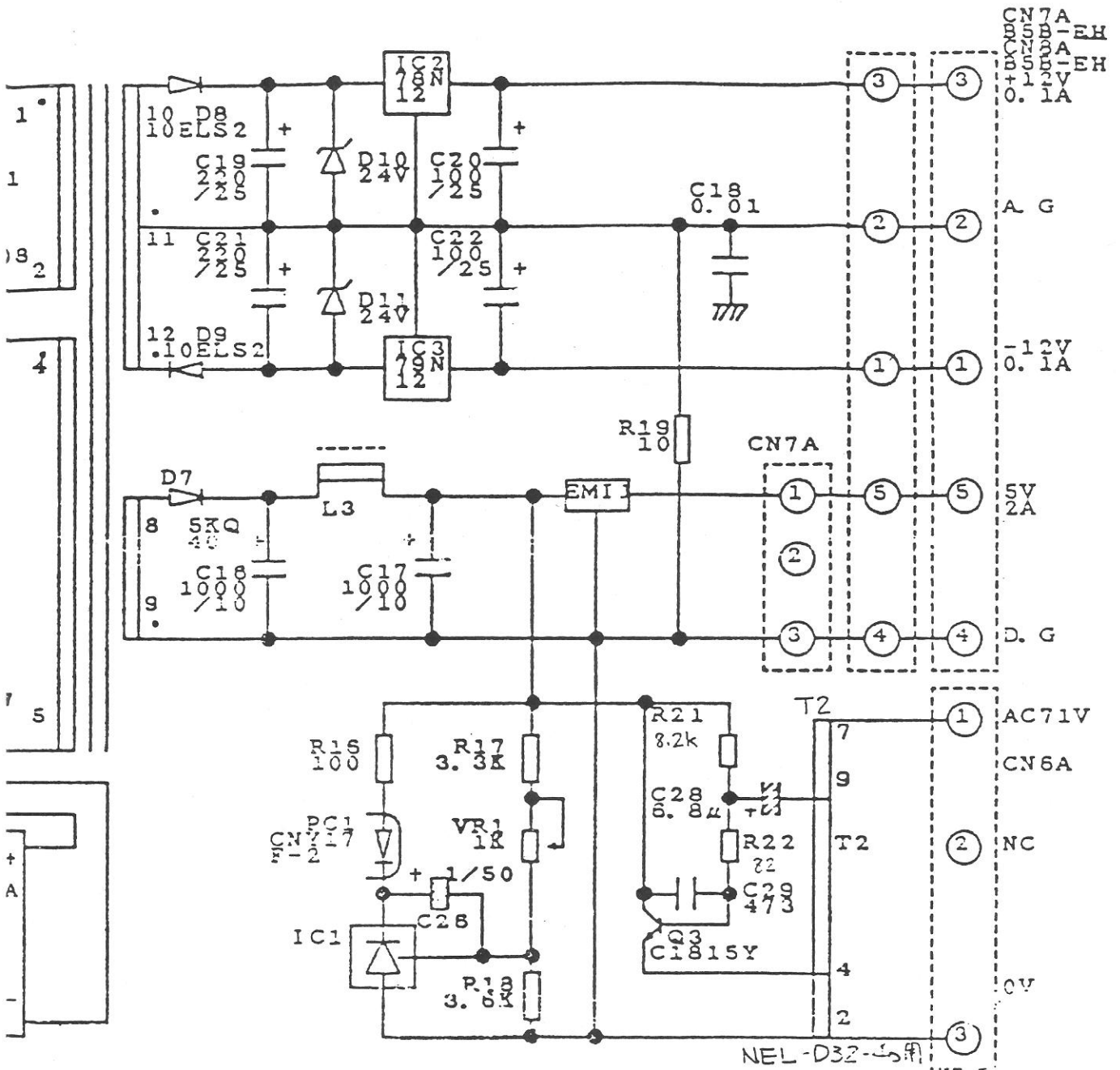
PART CODE	PART NAME/SPECIFICATION	P.C.BOARD	NOTE	QTY	MARK
644006200	X-011/012 WHEEL SPRING	M.PART		2	
646038900	X-011/012 JOYSTCK FRAME	M.PART		1	
646039000	X-011/012 VR PLATE	M.PART		1	
646039100	X-011/012 WHEEL SUPPRT	M.PART		1	
646039200	X-011/012 JOYSTCK LEVER	M.PART		1	
646046601	X-511/512 SIDE PLATE L	M.PART		1	
646046701	X-511/512 SIDE PLATE R	M.PART		1	
646046801	X-511/512 KNOB BLOCK L	1647		1	
646046901	X-511/512 KNOB BLOCK R	1647		1	
646048601	X-511/512 CP COVER	M.PART		1	
646062400	X-511/512 JS COVER	M.PART		1	
646062500	X-511/512 JS WHEEL	M.PART		1	
646062600	X-511/512 SVR KNOB	M.PART		2	NEW

KEYBOARD PARTS LIST

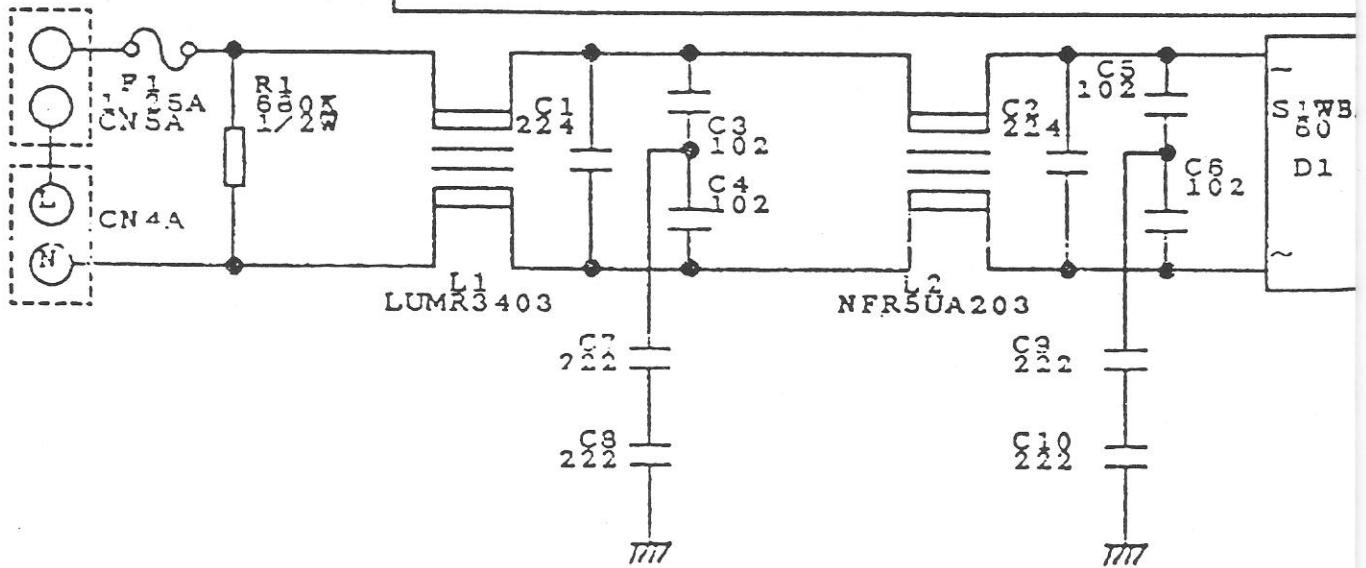
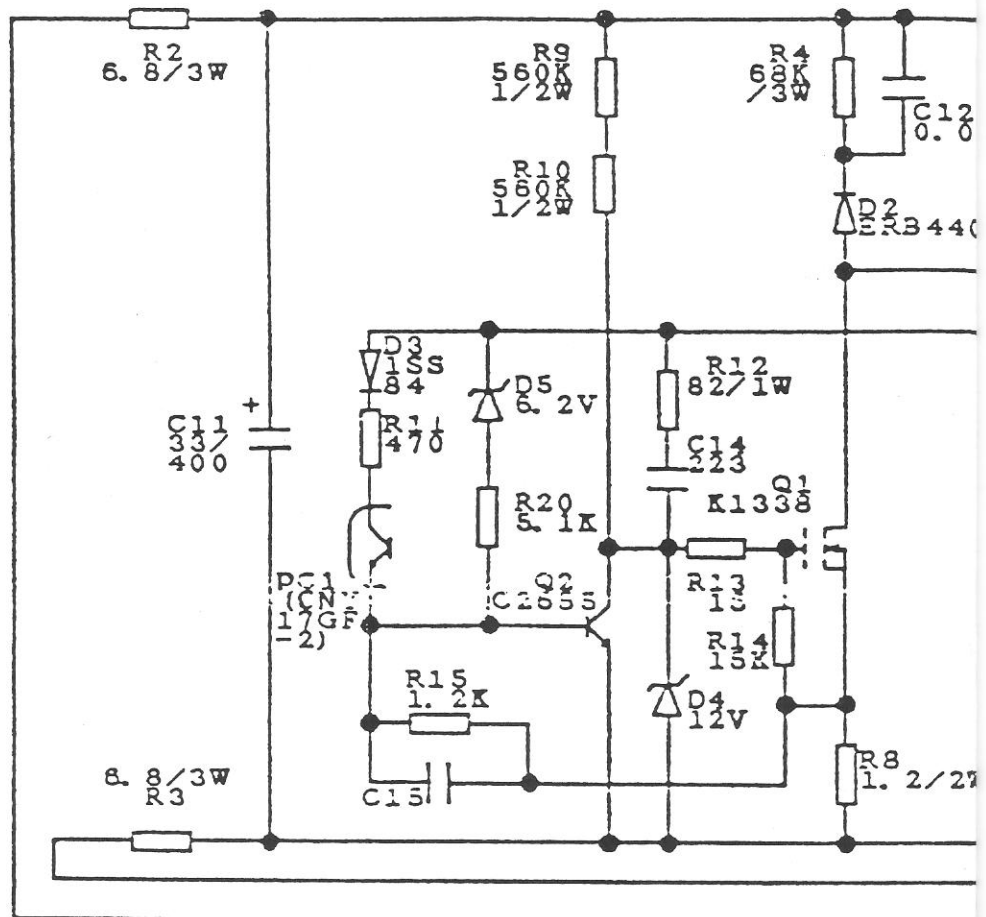
PART CODE	PART NAME/SPECIFICATION	PRODUCT
422008518	TP/9S AFT. STRIP 76NOTE	N264
422008522	TP/9S CIRCUIT BOARD LOW 76NOTE	N264
422008523	TP/9S CIRCUIT BOARD HIGH 76NOTE	N264
422008524	TP/9S 12-RUBBER CONTACT 76NOTE	N264/N364
422008525	TP/9S 1-RUBBER CONTACT 76NOTE	N264/N346
422008534	61TP/9 APTH STRIP	N364
422008535	61TP/9 CIRCUIT BOARD LEFT	N364
422008536	61TP/9 CIRCUIT BOARD RIGHT	N364
422008574	61&76TP/9S+PCB+APTH OCT WHITE	N264/N364
422008577	61&76TP/9 NO-WEIGHT SPRING	N264/N364
*422X51100	76TP/9S G' KEY NO-WEIGHT	N264
*422X51101	76TP/9S E' KEY NO-WEIGHT	N264
*422X51200	61TP/9S C' KEY NO-WEIGHT	N364

KORG

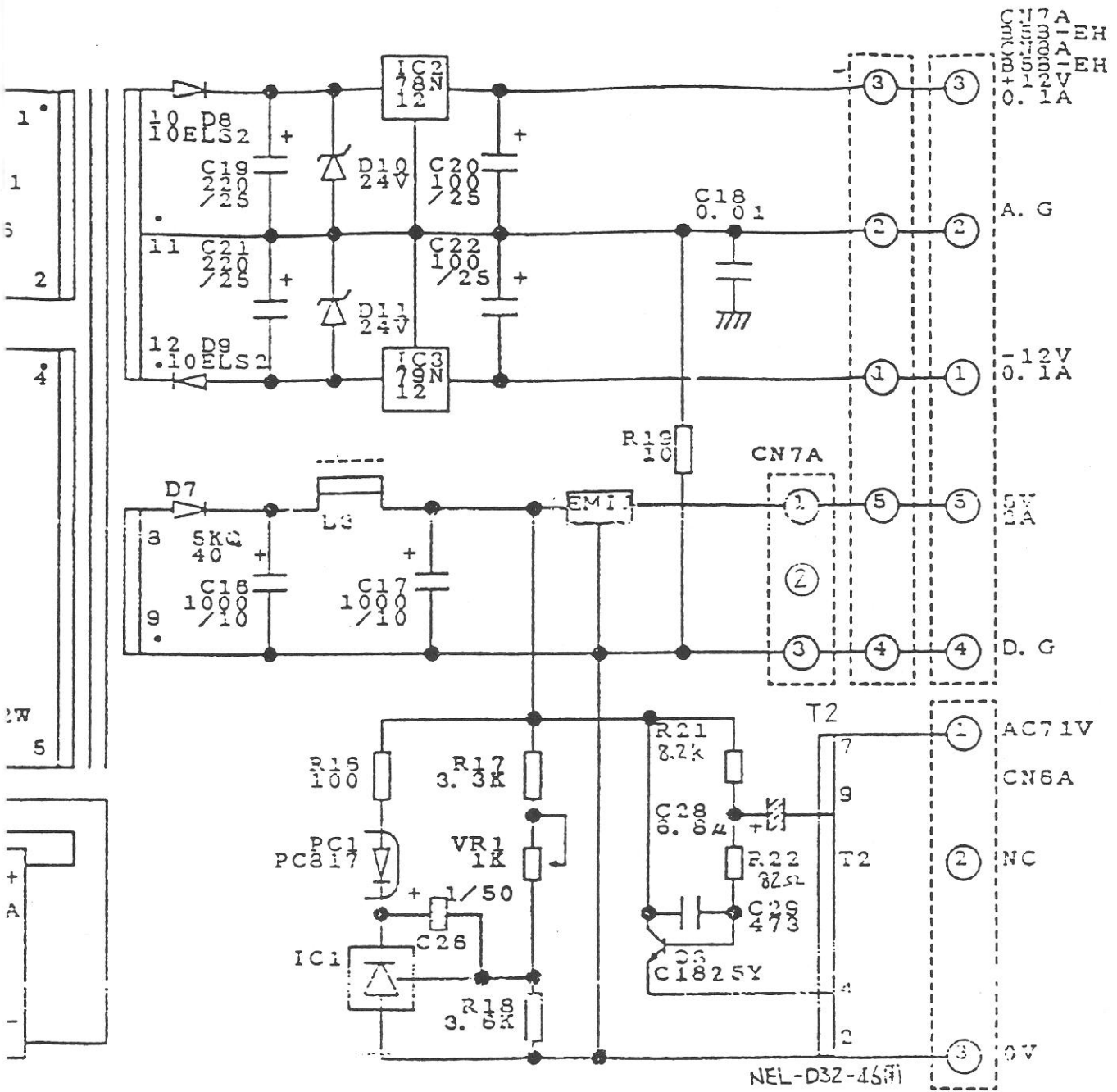
KORG INC. 15-12, Shimotakaido 1-chome, Suginami-ku, Tokyo 168



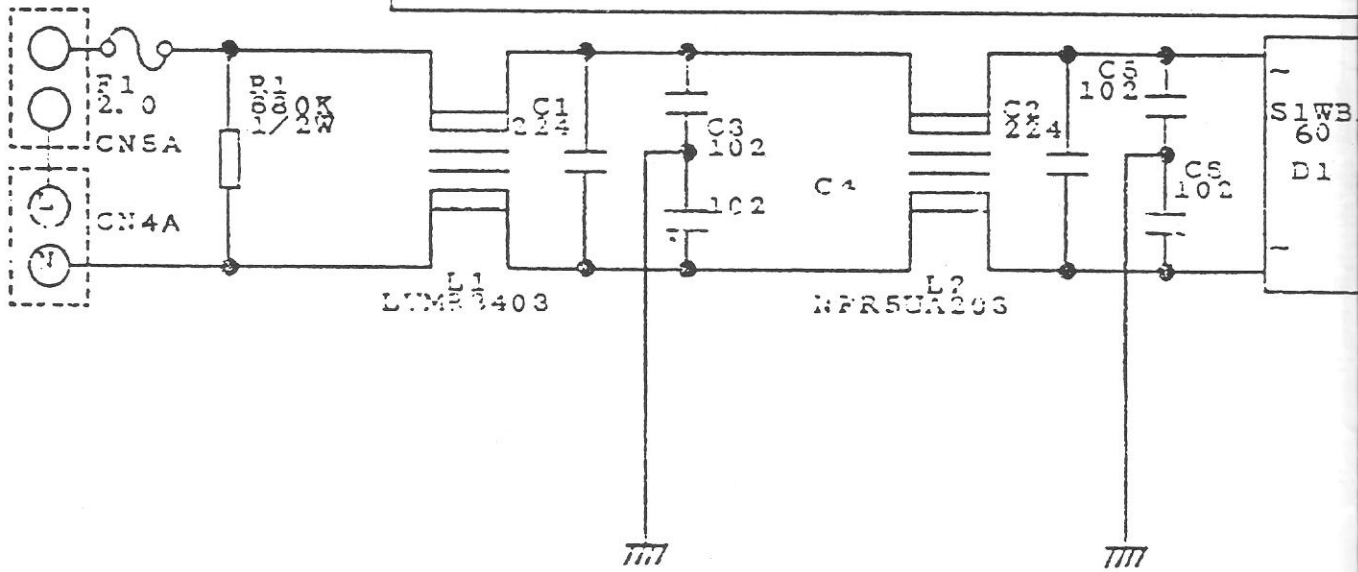
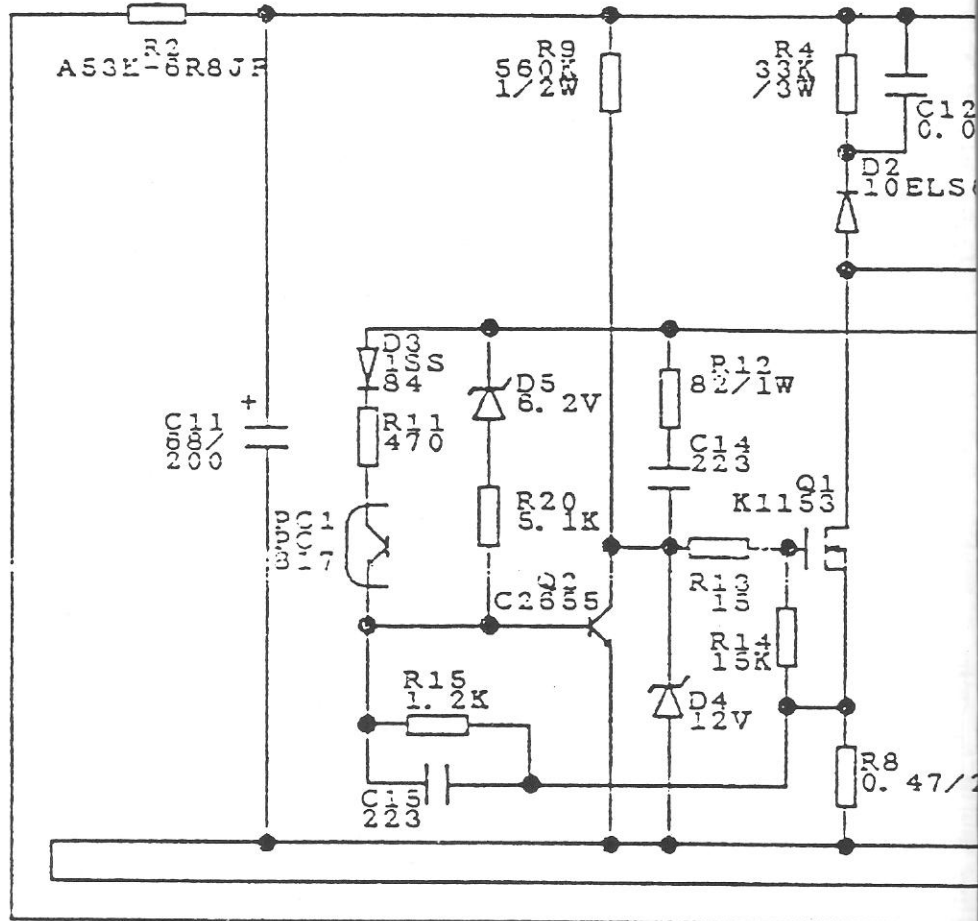
0V/117V



FOR 100

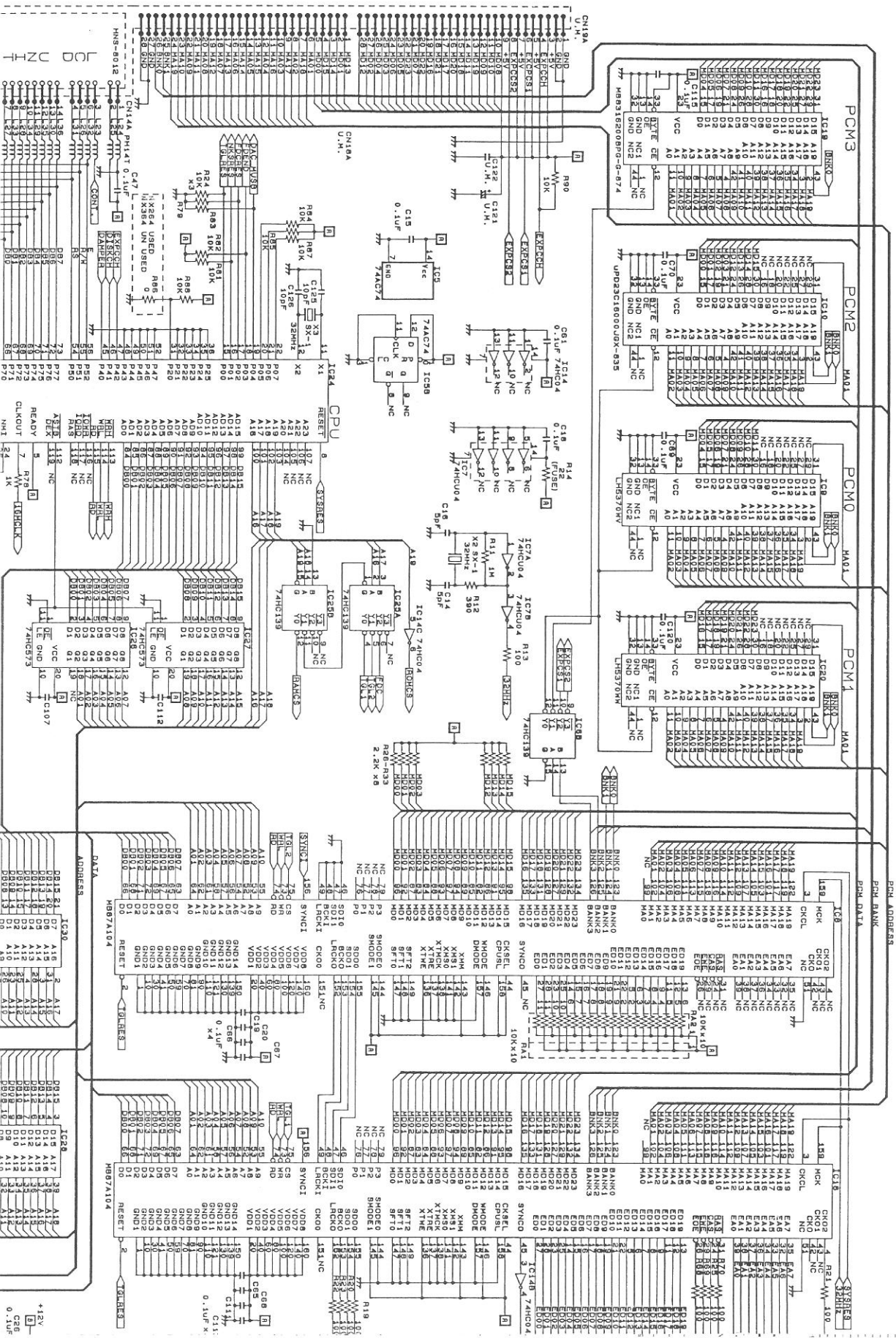


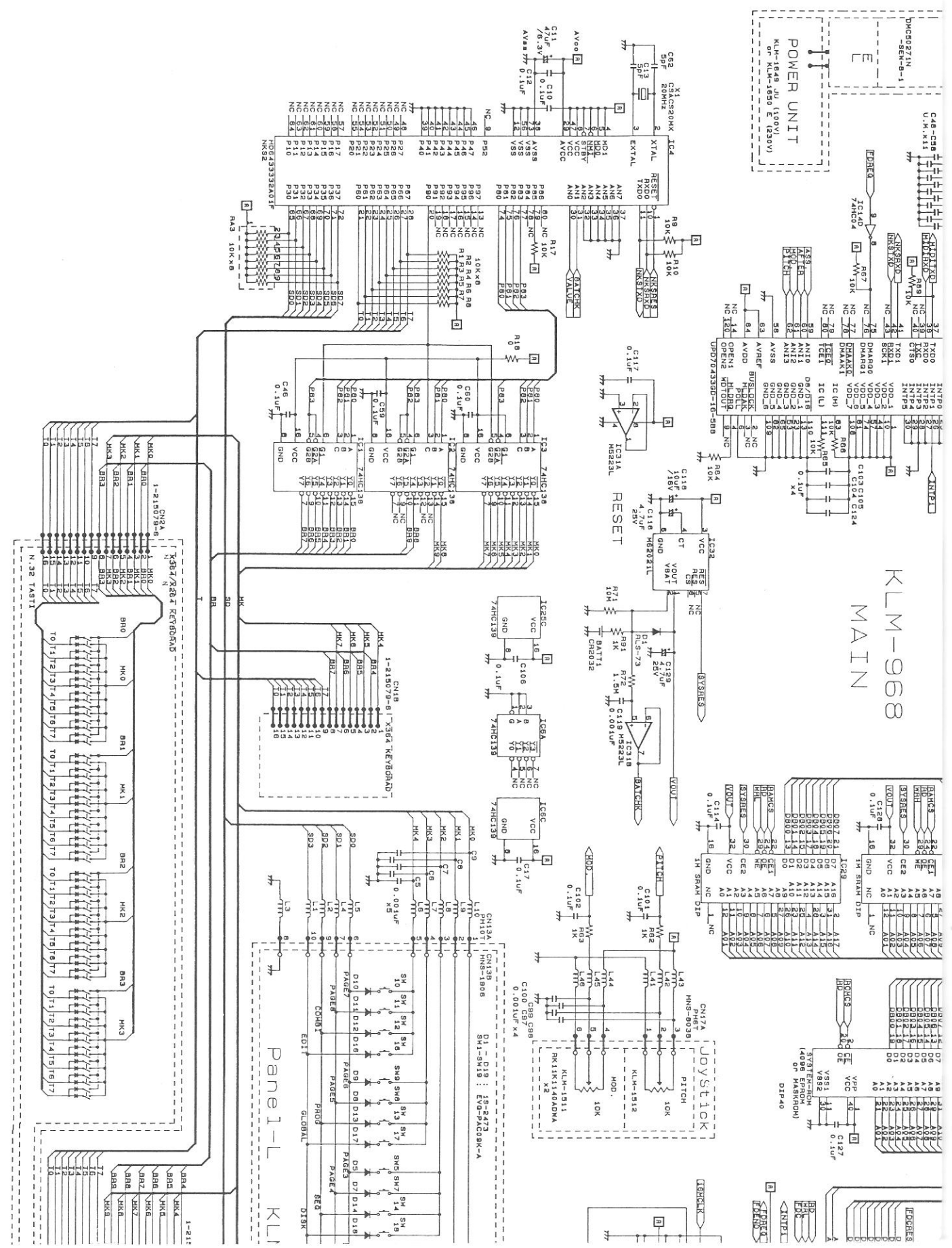
230V/240V



FOR 220V/

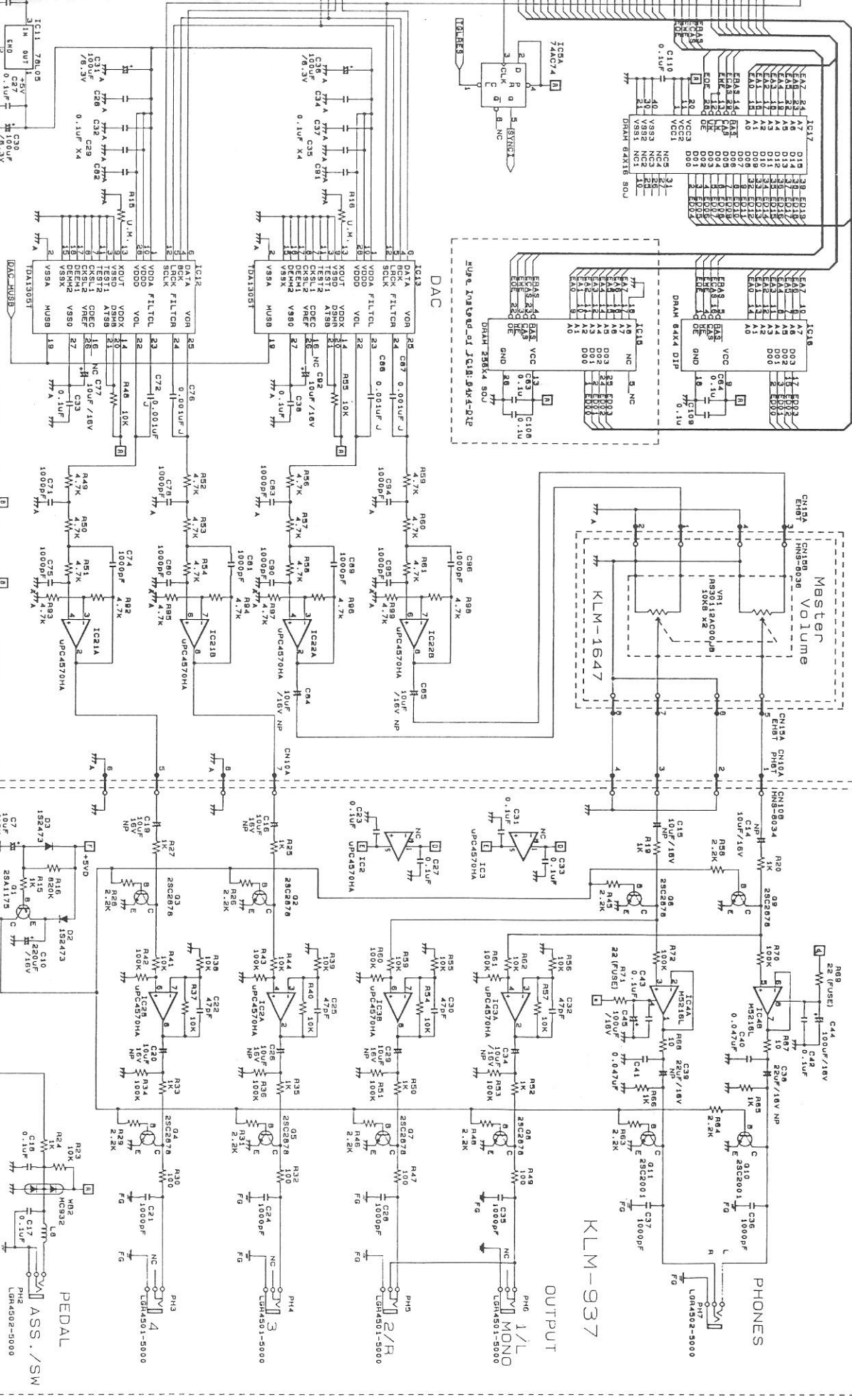
3. CIRCUIT DIAGRAM



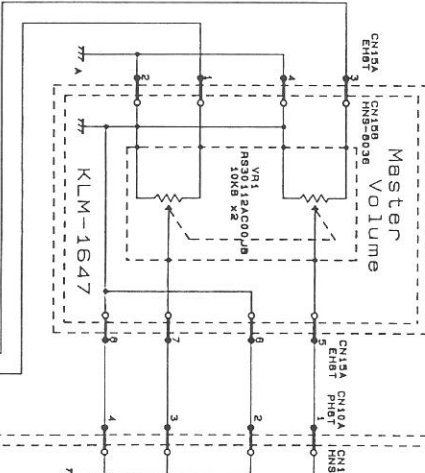


KLM-968

MAIN



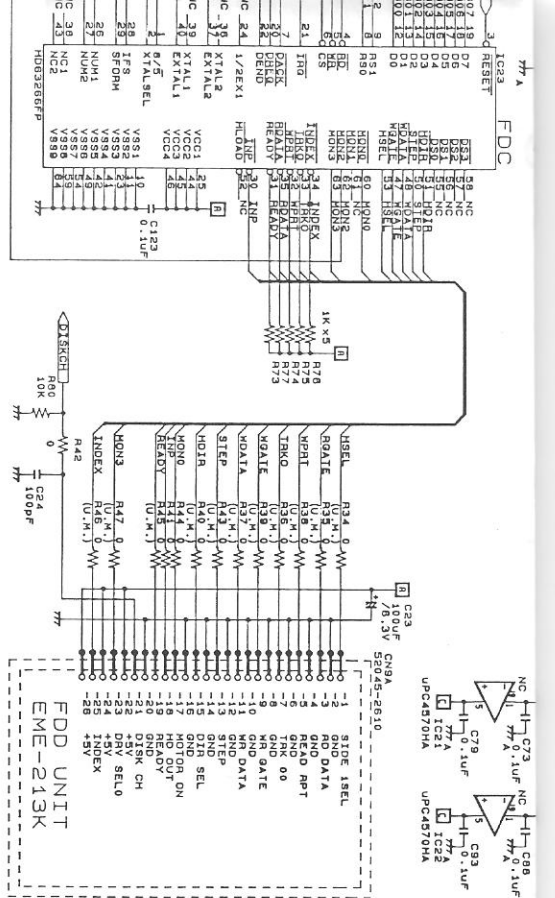
Master Volume



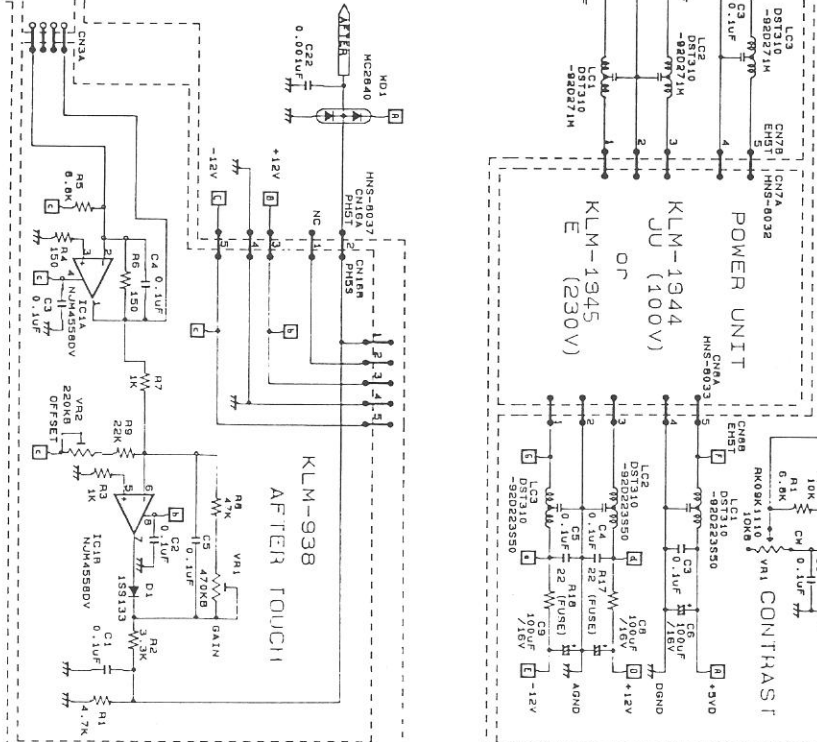
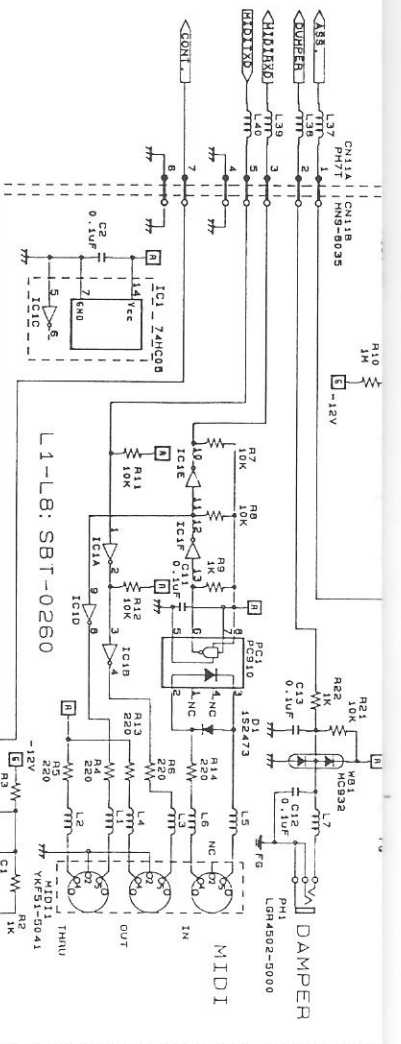
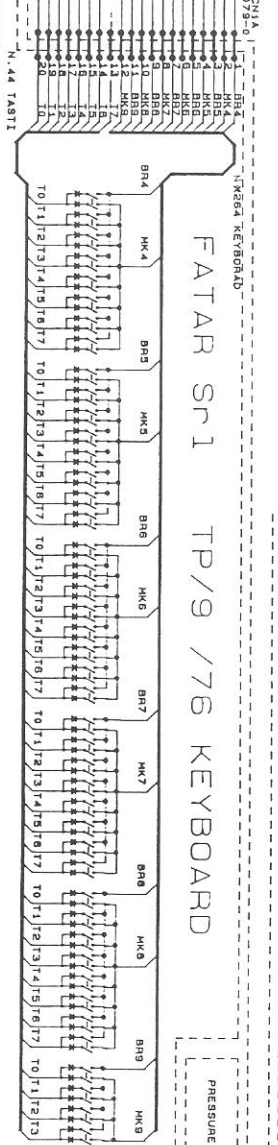
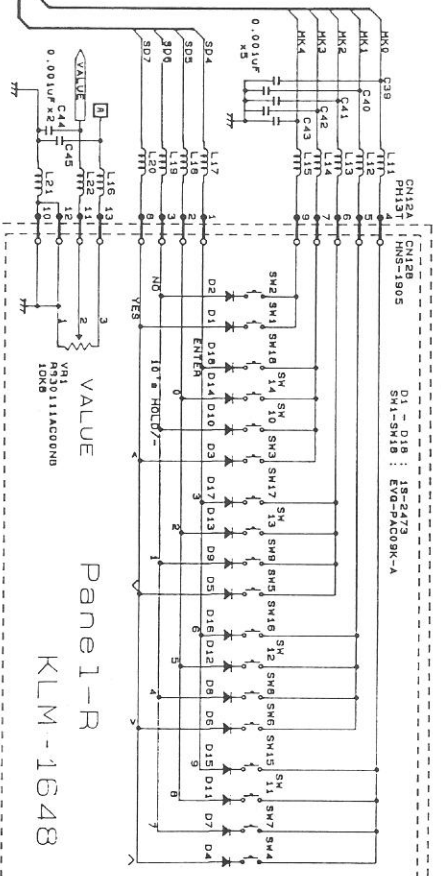
KLM-937

PHONES
OUTPUT
PEDAL

ASS. / SW
LHR4501-5000
LHR4502-5000



L1-L46: N32162122T01



SERVICE MANUAL

N264

MUSIC WORKSTATION

N364

MUSIC WORKSTATION

<h3>CONTENTS</h3>

- | | |
|-------------------------------------|-----|
| 1. DISASSEMBLY | 1 |
| 2. BLOCK DIAGRAM | 6-a |
| 3. CIRCUIT DIAGRAM(insertion) | 6-b |
| 4. PARTS LIST | 7 |

KORG