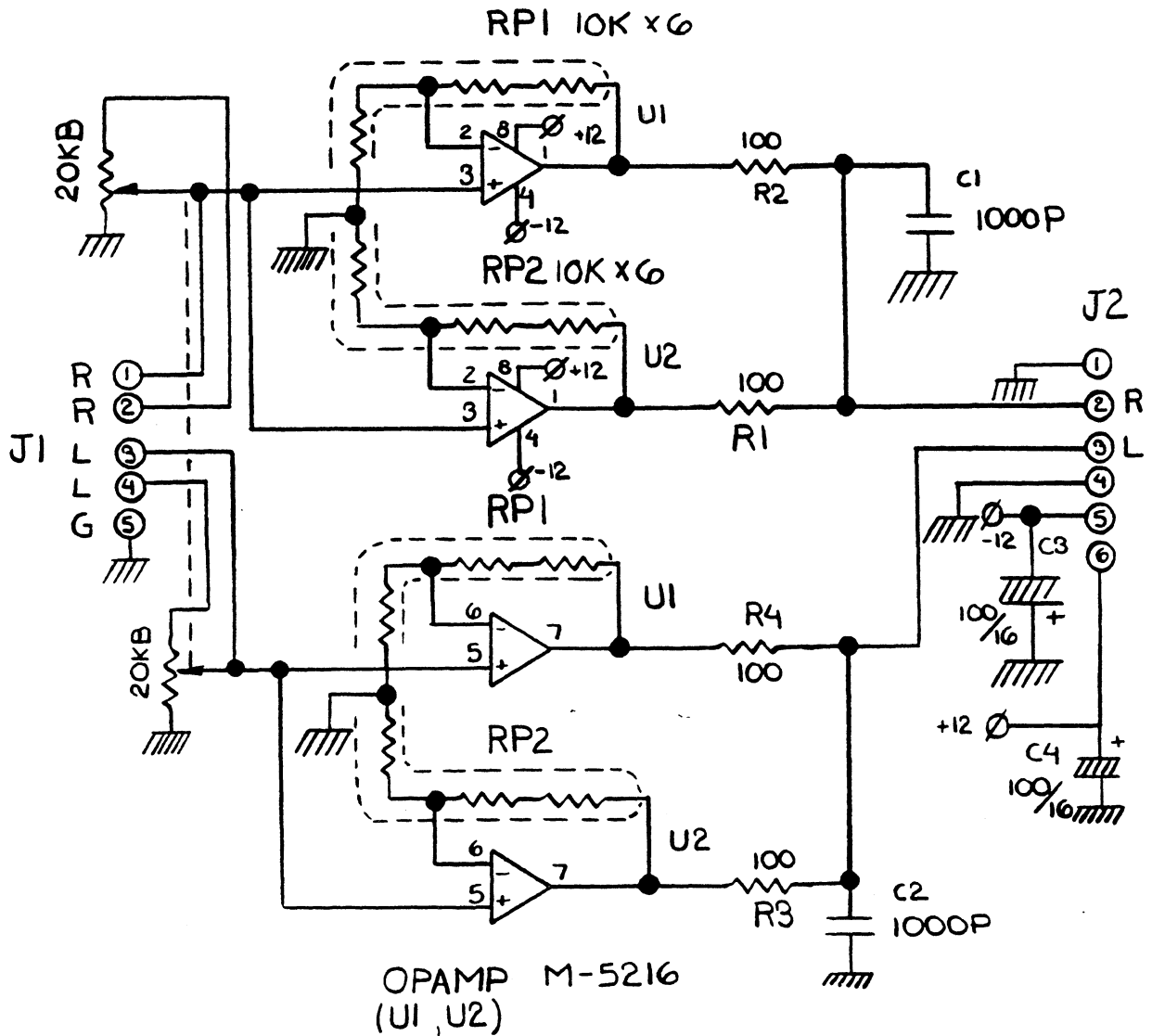


SCHEMATICS

Chapter 8

K1000 VOLUME SLIDER	8-2
K1000 FRONT PANEL	8-3
EGP AND MARK III FRONT PANEL	8-4
K1000, EGP AND MARK III CPU, 1-4	8-5
K1000, EGP AND MARK III CPU, 2-4	8-6
K1000, EGP AND MARK III CPU, 3-4	8-7
K1000, EGP AND MARK III CPU, 4-4	8-8
K1000, EGP AND MARK III KEYBOARD SCAN	8-9
K1000, POWER SUPPLY	8-10
K1000 AND EGP AC BOARD	8-11
EGP AND MARK III POWER SUPPLY/ POWER AMPLIFIER	8-12
MARK III POWER AMPLIFIER	8-13
MARK III AC BOARD	8-14
PX, HX, SX AND GX FRONT PANEL	8-15
EX FRONT PANEL	8-16
PX, HX, SX, GX AND EX CPU, 1-4	8-17
PX, HX, SX, GX AND EX CPU, 2-4	8-18
PX, HX, SX, GX AND EX CPU, 3-4	8-19
PX, HX, SX, GX AND EX CPU, 4-4	8-20
PX, HX, SX, GX AND EX POWER SUPPLY	8-21
PX, HX, SX, GX AND EX POWER SUPPLY ASSY	8-22

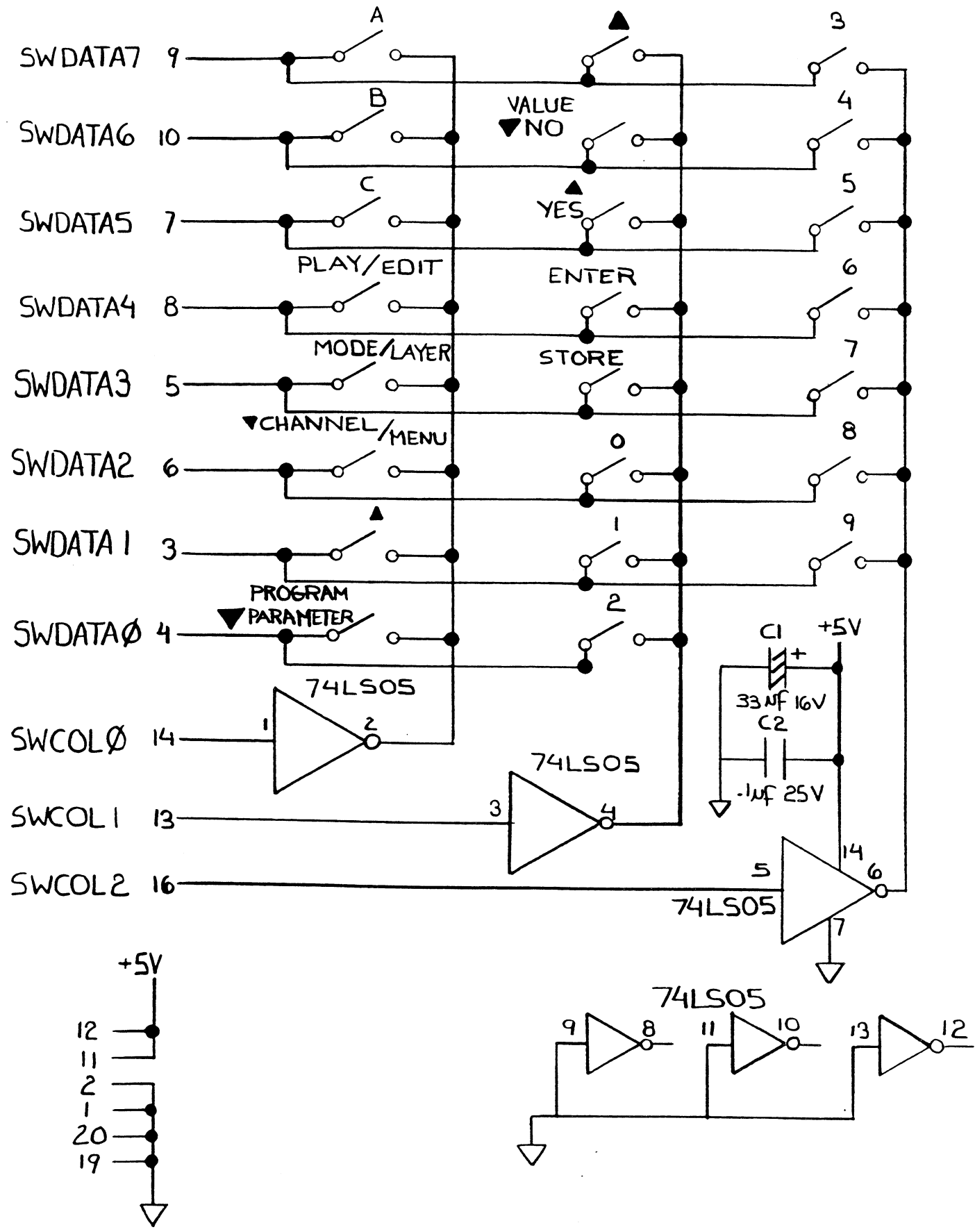


REV	CHANGE	CKD	ENG
-----	--------	-----	-----

KURZWEIL MUSIC SYSTEMS, Inc. WALTHAM, MA			
TITLE: K1000 VOLUME SLIDER (SWK 309A)			
DRN	<i>DF</i>	<i>11/16/88</i>	APPROVED FOR PRODUCTION
APPROVED ONLY FOR	QUOTE	ENG	CKD
	SAMPLE	ENG	ENG
	PILOT	CKD	PROD
		ENG	MATL
SCALE		SIZE	DWG NO
SHEET	OF		REV

THIS DRAWING CONTAINS PROPRIETARY INFORMATION AND IS NOT TO BE RELEASED TO OTHER PARTIES OR REPRODUCED WITHOUT WRITTEN PERMISSION OF KURZWEIL MUSIC SYSTEMS, Inc.

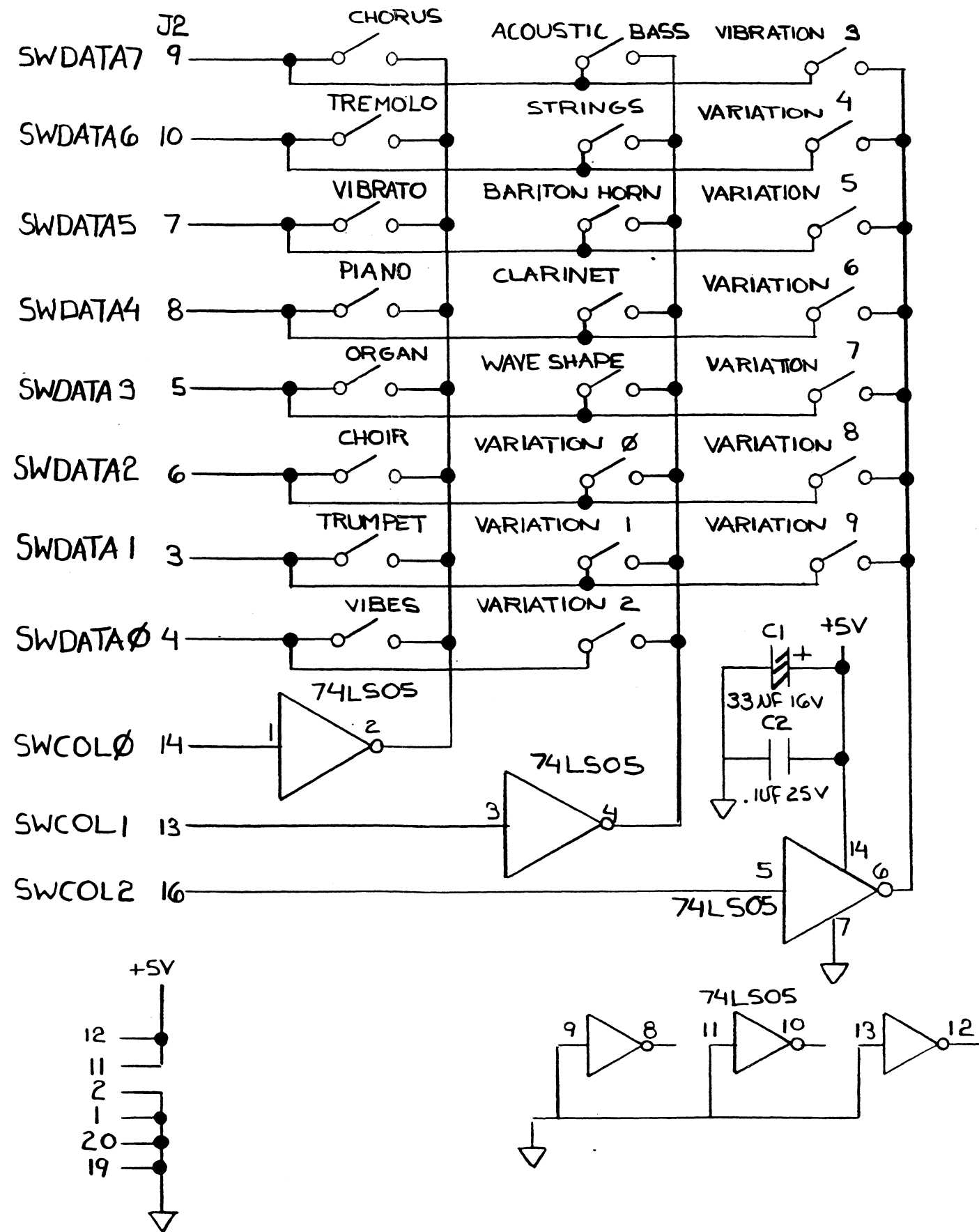
STANDARD TOLERANCES
 FRACTIONAL DIMENSIONS 0.00
 DECIMAL DIMENSIONS 0.000
 ANGLES 0.0
 METRIC 0.00
 METRIC 0.00
 UNLESS OTHERWISE SPECIFIED



REV		CHANGE		CKD	ENG
KURZWEIL MUSIC SYSTEMS, Inc. WALTHAM, MA					
TITLE K1000 FRONT PANEL (SWK307)					
DRN	11-16-88		APPROVED FOR PRODUCTION		
APPROVED ONLY FOR	QUOTE	ENG	CKD		
	SAMPLE	ENG	ENG		
	PILOT	CKD	PROD		
	ENG	MATL			
SCALE		SIZE	DWG NO		REV
SHEET	OF	B	02082001		

THIS DRAWING CONTAINS PROPRIETARY INFORMATION AND IS NOT TO BE RELEASED TO OTHER PARTIES OR REPRODUCED WITHOUT WRITTEN PERMISSION OF KURZWEIL MUSIC SYSTEMS, Inc.

STANDARD TOLERANCES
 FRACTIONAL DIMENSIONS + + + + +
 DECIMAL DIMENSIONS 0.00
 DECIMAL DIMENSIONS 0.000
 ANGLES 0.0
 METRIC 0.00
 METRIC 0.00
 UNLESS OTHERWISE SPECIFIED



REV	CHANGE	CKD	ENG
-----	--------	-----	-----

KURZWEIL MUSIC SYSTEMS, Inc.
WALTHAM, MA

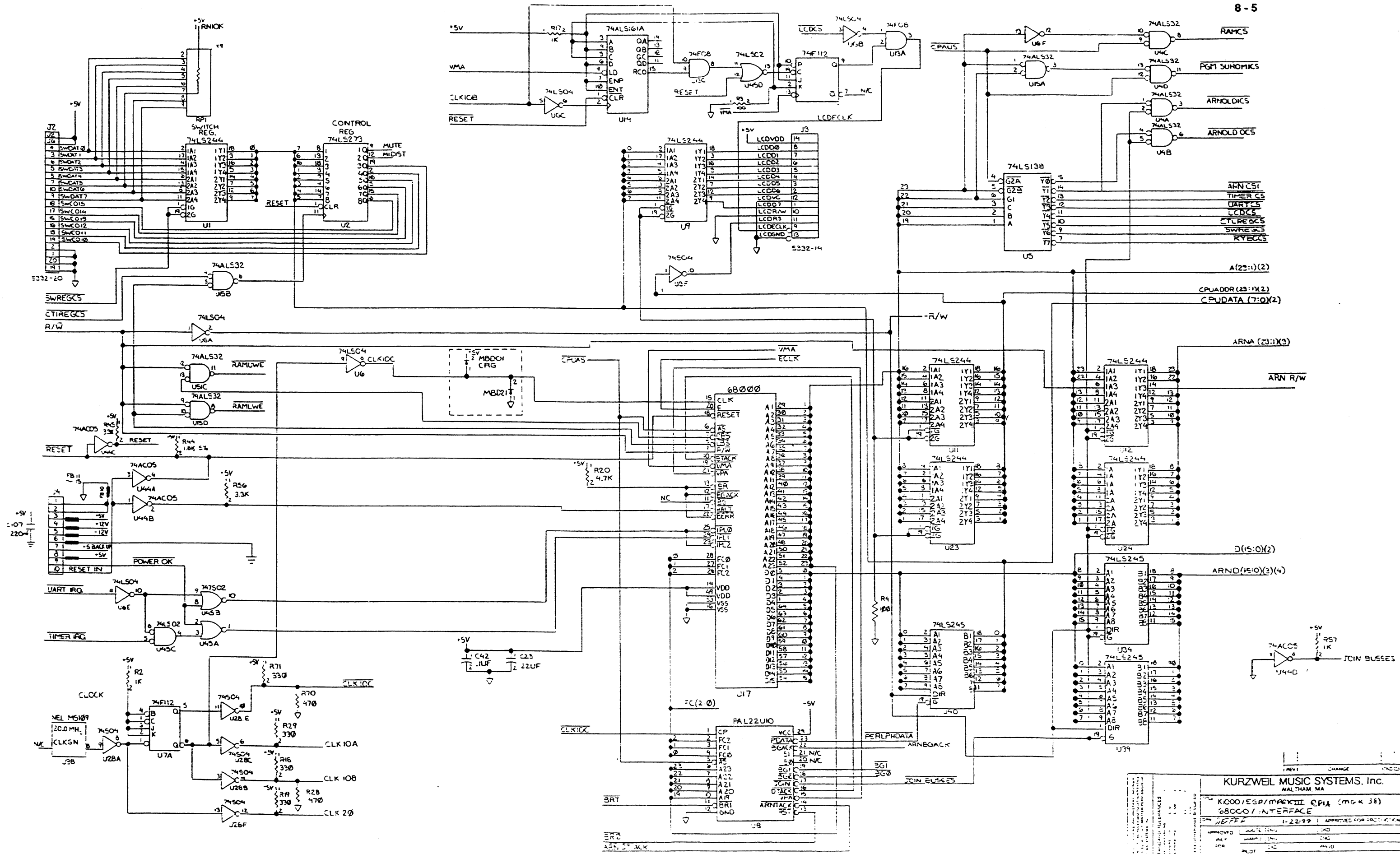
TITLE
EGP FRONT PANEL (SWK-307)
+ MARK III

DRN	11/16/88		APPROVED FOR PRODUCTION	
APPROVED ONLY FOR	QUOTE	ENG	CKD	
	SAMPLE	ENG	ENG	
	PILOT	CKD	PROD	
		ENG	MATL	

SCALE	SIZE	DWG NO	REV
	B	12082001	

THIS DRAWING CONTAINS PROPRIETARY INFORMATION AND IS NOT TO BE RELEASED TO OTHER PARTIES OR REPRODUCED WITHOUT WRITTEN PERMISSION OF KURZWEIL MUSIC SYSTEMS, Inc.

STANDARD TOLERANCES
 FRACTIONAL DIMENSIONS ± .005
 DECIMAL DIMENSIONS ± .000
 ANGLES 0.0
 METRIC 0.00
 UNLESS OTHERWISE SPECIFIED



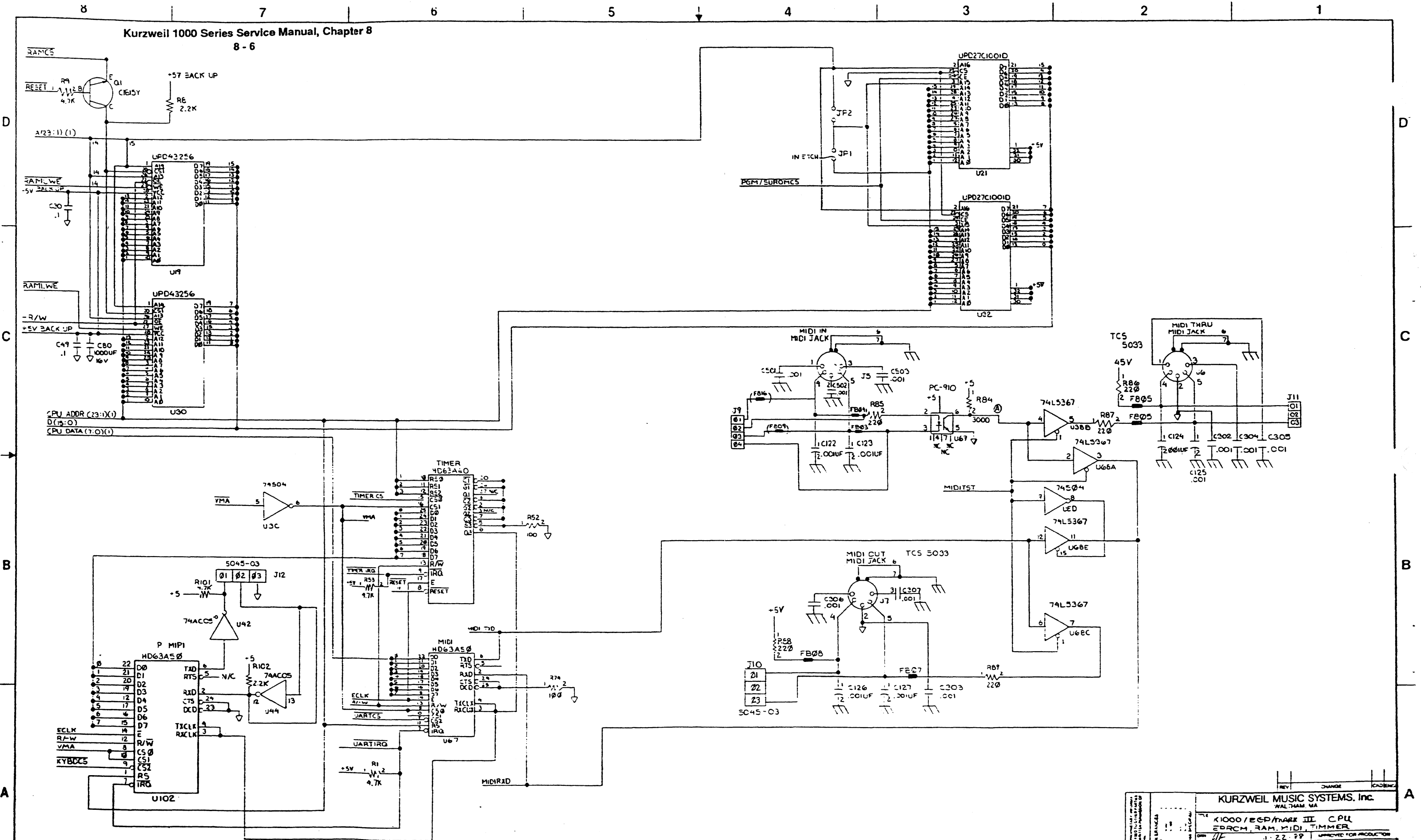
REV 1 CHANGE (PAGE 1)

KURZWEIL MUSIC SYSTEMS, Inc.
WALTHAM, MA

TITLE: K1000/ESP/MPKIII CPU (MGK 38)
68000/1 INTERFACE

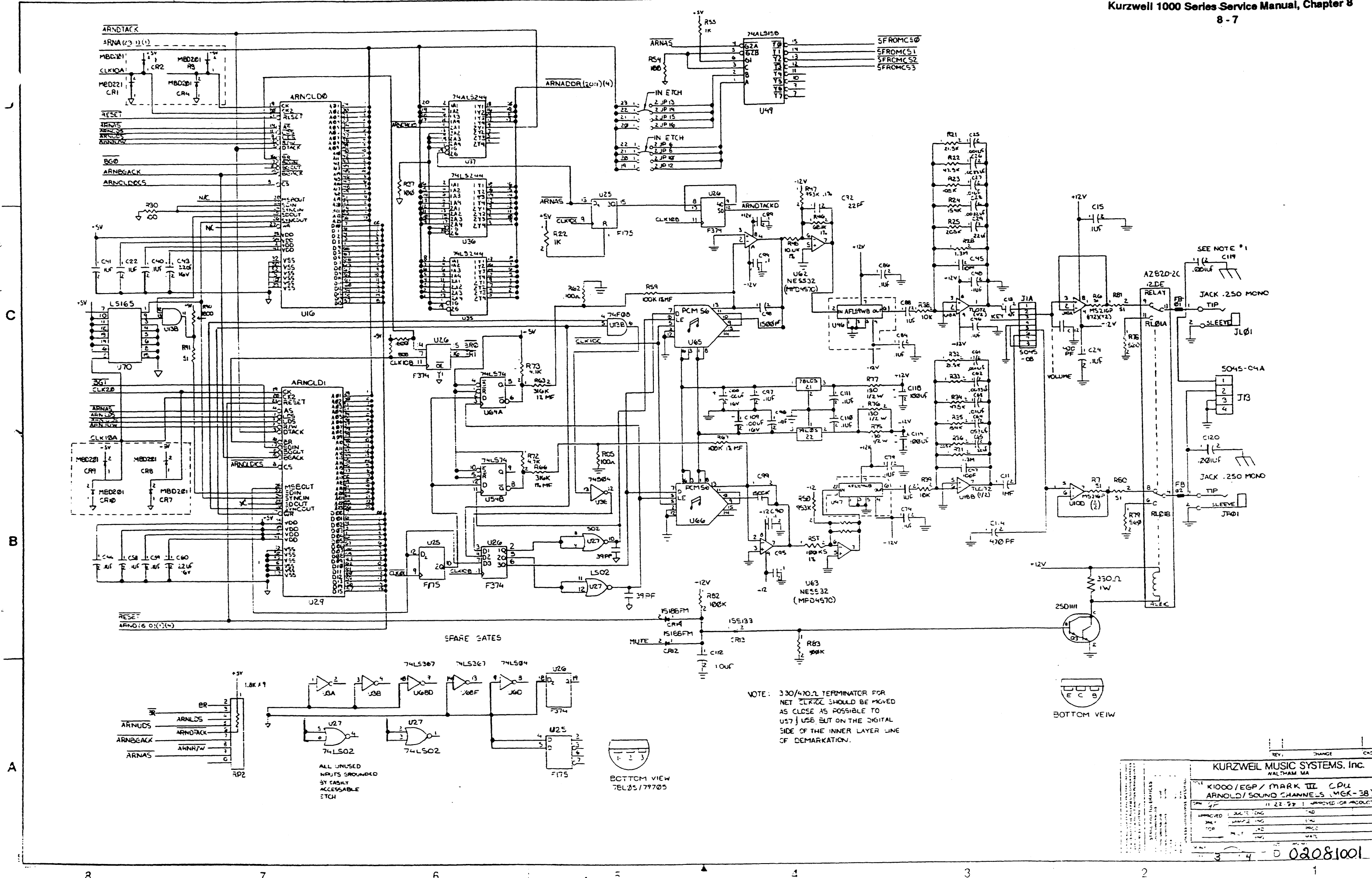
DATE: 1-22-77 APPROVED FOR PRODUCTION

APPROVED: [Signature] DATE: []
 [Signature] DATE: []
 [Signature] DATE: []
 [Signature] DATE: []

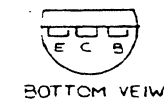


KURZWEIL MUSIC SYSTEMS, Inc. WALTHAM, MA		
K1000/ESP/MARK III CPU EPROM, RAM, MIDI, TIMER		
REV	DATE ENG	CHKD
APP'D	SAMPLE ENG	INS
FOR	CHKD	WRO
REV	ENG	WRO
1 - 22 - 89 APPROVED FOR PRODUCTION		

02081001

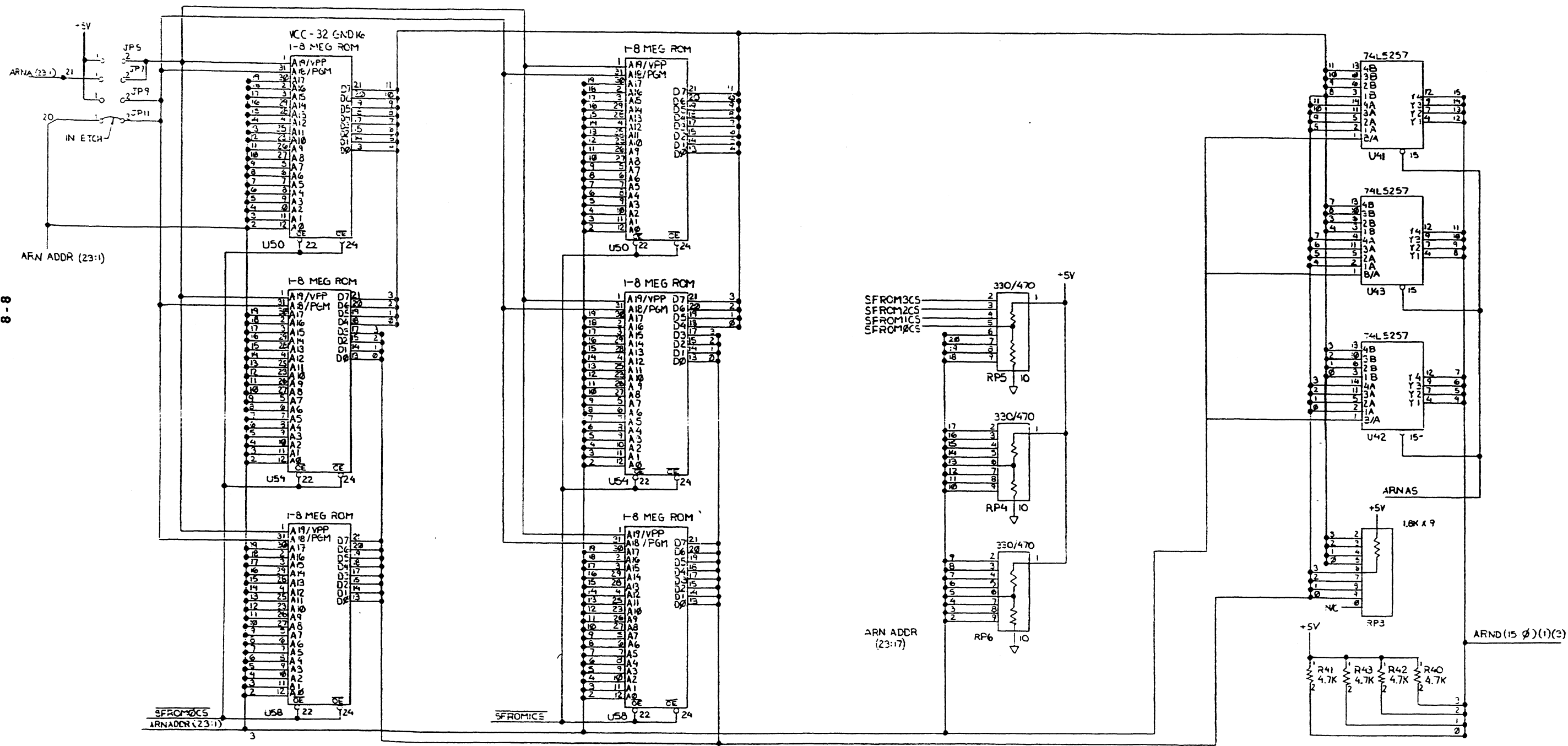


NOTE: 330/470.2 TERMINATOR FOR NET CLK100 SHOULD BE MOVED AS CLOSE AS POSSIBLE TO U57/U58 BUT ON THE DIGITAL SIDE OF THE INNER LAYER LINE OF DEMARKATION.



KURZWEIL MUSIC SYSTEMS, Inc.		
WALTHAM MA		
K1000/EGP/ MARK III CPU		
ARNOLD/SOUND CHANNELS (MCK-38)		
DATE	11-22-89	APPROVED FOR PRODUCTION
APPROVED	DATE	BY
DESIGNED	DATE	BY
TESTED	DATE	BY
PCB	DATE	BY
DATE	DATE	BY
DATE	DATE	BY

02081001

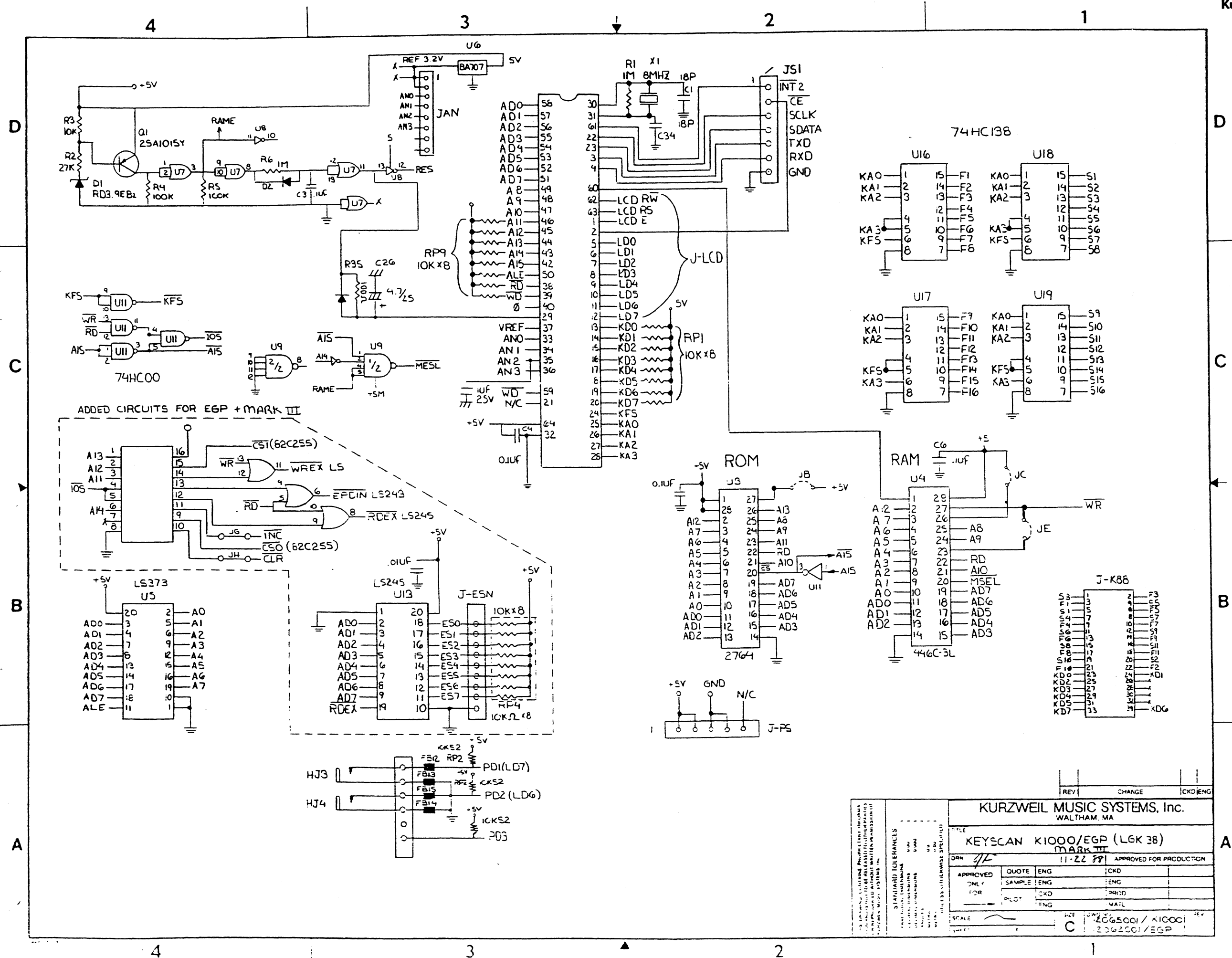


- C1 .1uF
- C2 .1uF
- C3 .1uF
- C4 .1uF
- C5 .1uF
- C6 .1uF
- C7 .1uF
- C8 .1uF
- C9 .1uF
- C10 .1uF
- C11 .1uF
- C12 .1uF
- C13 .1uF
- C14 .1uF
- C15 .1uF
- C16 .1uF
- C17 .1uF
- C18 .1uF
- C19 .1uF
- C20 .1uF
- C21 .1uF
- C22 .1uF
- C23 .1uF
- C24 .1uF
- C25 .1uF
- C26 .1uF
- C27 .1uF
- C28 .1uF
- C29 .1uF
- C30 .1uF
- C31 .1uF
- C32 .1uF
- C33 .1uF
- C34 .1uF
- C35 .1uF
- C36 .1uF
- C37 .1uF
- C38 .1uF
- C39 .1uF
- C40 .1uF
- C41 .1uF
- C42 .1uF
- C43 .1uF
- C44 .1uF
- C45 .1uF
- C46 .1uF
- C47 .1uF
- C48 .1uF
- C49 .1uF
- C50 .1uF
- C51 .1uF
- C52 .1uF
- C53 .1uF
- C54 .1uF
- C55 .1uF
- C56 .1uF
- C57 .1uF
- C58 .1uF
- C59 .1uF
- C60 .1uF
- C61 .1uF
- C62 .1uF
- C63 .1uF
- C64 .1uF
- C65 .1uF
- C66 .1uF
- C67 .1uF
- C68 .1uF
- C69 .1uF
- C70 .1uF
- C71 .1uF
- C72 .1uF
- C73 .1uF
- C74 .1uF
- C75 .1uF
- C76 .1uF
- C77 .1uF
- C78 .1uF
- C79 .1uF
- C80 .1uF
- C81 .1uF
- C82 .1uF
- C83 .1uF
- C84 .1uF
- C85 .1uF
- C86 .1uF
- C87 .1uF
- C88 .1uF
- C89 .1uF
- C90 .1uF
- C91 .1uF
- C92 .1uF
- C93 .1uF
- C94 .1uF
- C95 .1uF
- C96 .1uF
- C97 .1uF
- C98 .1uF
- C99 .1uF
- C100 .1uF
- C101 .1uF
- C102 .1uF
- C103 .1uF
- C104 .1uF
- C105 .1uF
- C106 .1uF
- C107 .1uF
- C108 .1uF
- C109 .1uF
- C110 .1uF
- C111 .1uF
- C112 .1uF
- C113 .1uF
- C114 .1uF
- C115 .1uF
- C116 .1uF
- C117 .1uF
- C118 .1uF
- C119 .1uF
- C120 .1uF
- C121 .1uF
- C122 .1uF

NOTE:
TERMINATORS ARE THE FARTHEST
DISTANCE FROM THE 244/367'S
(ADDRESS BUFFERS).

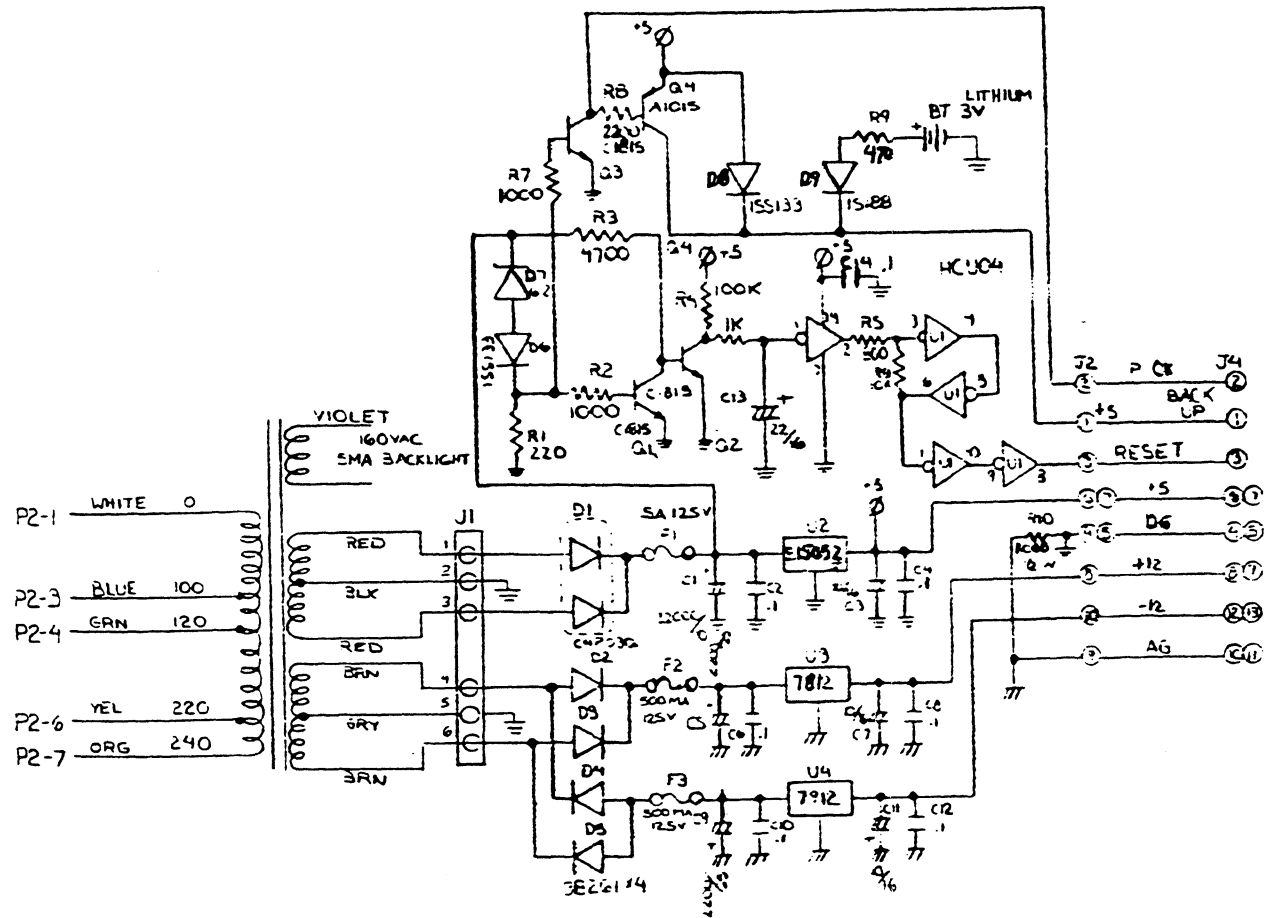
REV	CHANGE	ISSUE
KURZWEIL MUSIC SYSTEMS, Inc. WALTHAM, MA		
THE K1000/ESP/MARK III SOUND ROM/MULTIPLEXERS (MK 38)		
DATE	1-22-87	APPROVED FOR PRODUCTION
APPROVED	DATE	ENG
CHK	DATE	ENG
PLT	DATE	ENG
ENG	DATE	ENG

02081001

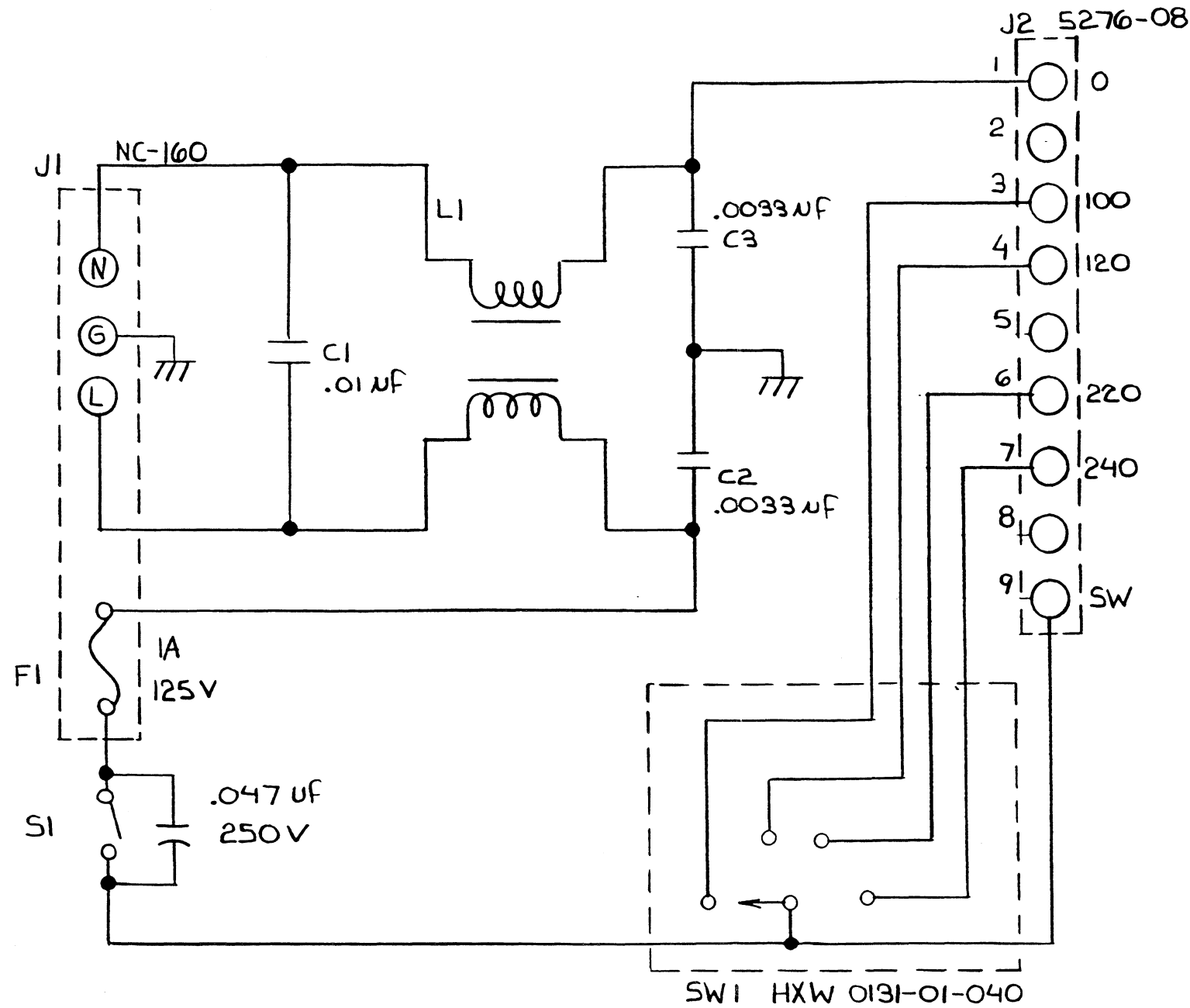


STANDARD TOLERANCES		UNLESS OTHERWISE SPECIFIED	
RESISTORS	1% (unless otherwise specified)	CAPACITORS	5% (unless otherwise specified)
INDUCTORS	5% (unless otherwise specified)	TRANSISTORS	5% (unless otherwise specified)
DIODES	5% (unless otherwise specified)	ICs	5% (unless otherwise specified)
CONNECTORS	5% (unless otherwise specified)	RELAYS	5% (unless otherwise specified)
MECHANICAL PARTS	5% (unless otherwise specified)	WELDED PARTS	5% (unless otherwise specified)
PRINTED CIRCUIT BOARD	5% (unless otherwise specified)	WELDED PARTS	5% (unless otherwise specified)

KURZWEIL MUSIC SYSTEMS, Inc. WALTHAM, MA			
TITLE: KEYSKAN K1000/EGP (LGK 38) MARK III			
DRN: JF	DATE: 11-22-77	APPROVED FOR PRODUCTION	
APPROVED:	QUOTE:	ENG:	CKD:
DML:	SAMPLE:	ENG:	ENG:
FOR:	PROT:	CKD:	PRD:
		ENG:	MAIL:
SCALE:	C	2065001 / K10001 2062001 / EGP	



REV.	CHANGE	DATE
KURZWEIL MUSIC SYSTEMS, Inc. MALDEN, MA		
TRANSFORMER		
K1000 POWER SUPPLY (PSK-57A)		
DATE	APPROVED FOR PRODUCTION	
11-22-88		
APPROVED BY	DATE	DATE



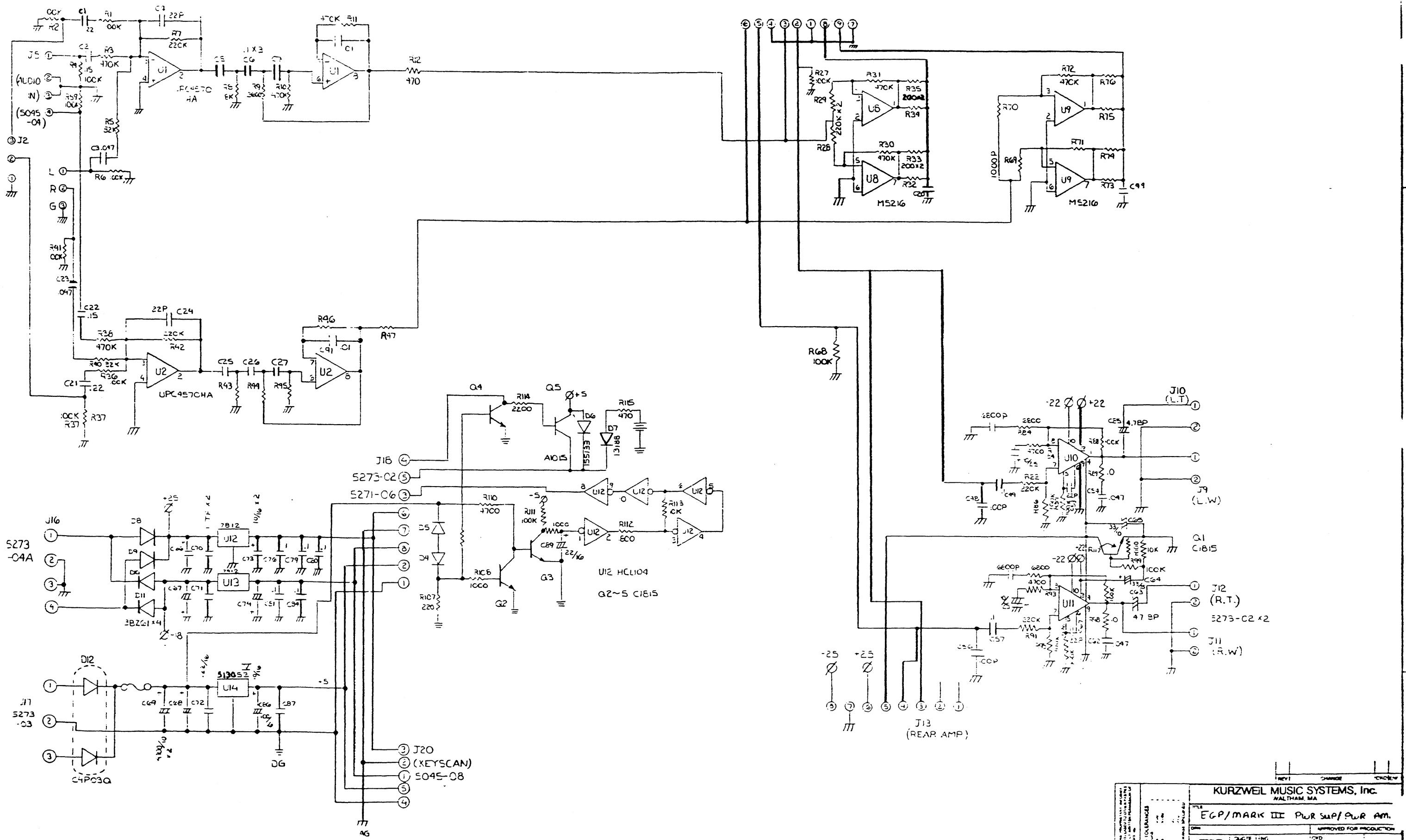
- C1 DE7150 FZ103VA1
- C2) DE7120 F332HVA1
- C3) DE7120 F332HVA1
- L1 SC-02-30G

REV	CHANGE	CKD	ENG
-----	--------	-----	-----

KURZWEIL MUSIC SYSTEMS, Inc. WALTHAM, MA			
TITLE K1000/EGP AC BOARD (SWK290)			
DRN <i>GET</i>		11/16/88	
APPROVED ONLY FOR		APPROVED FOR PRODUCTION	
QUOTE	ENG	CKD	
SAMPLE	ENG	ENG	
PILOT	CKD	PROD	
	ENG	MATL	
SCALE	SIZE B	DWG NO	REV
SHEET OF			

THIS DRAWING CONTAINS PROPRIETARY INFORMATION AND IS NOT TO BE RELEASED TO OTHER PARTIES OR REPRODUCED WITHOUT WRITTEN PERMISSION OF KURZWEIL MUSIC SYSTEMS, Inc.

STANDARD TOLERANCES
 FRACTIONAL DIMENSIONS ± .00
 DECIMAL DIMENSIONS ± .000
 ANGLES 0.0
 METRIC 0.00
 UNLESS OTHERWISE SPECIFIED

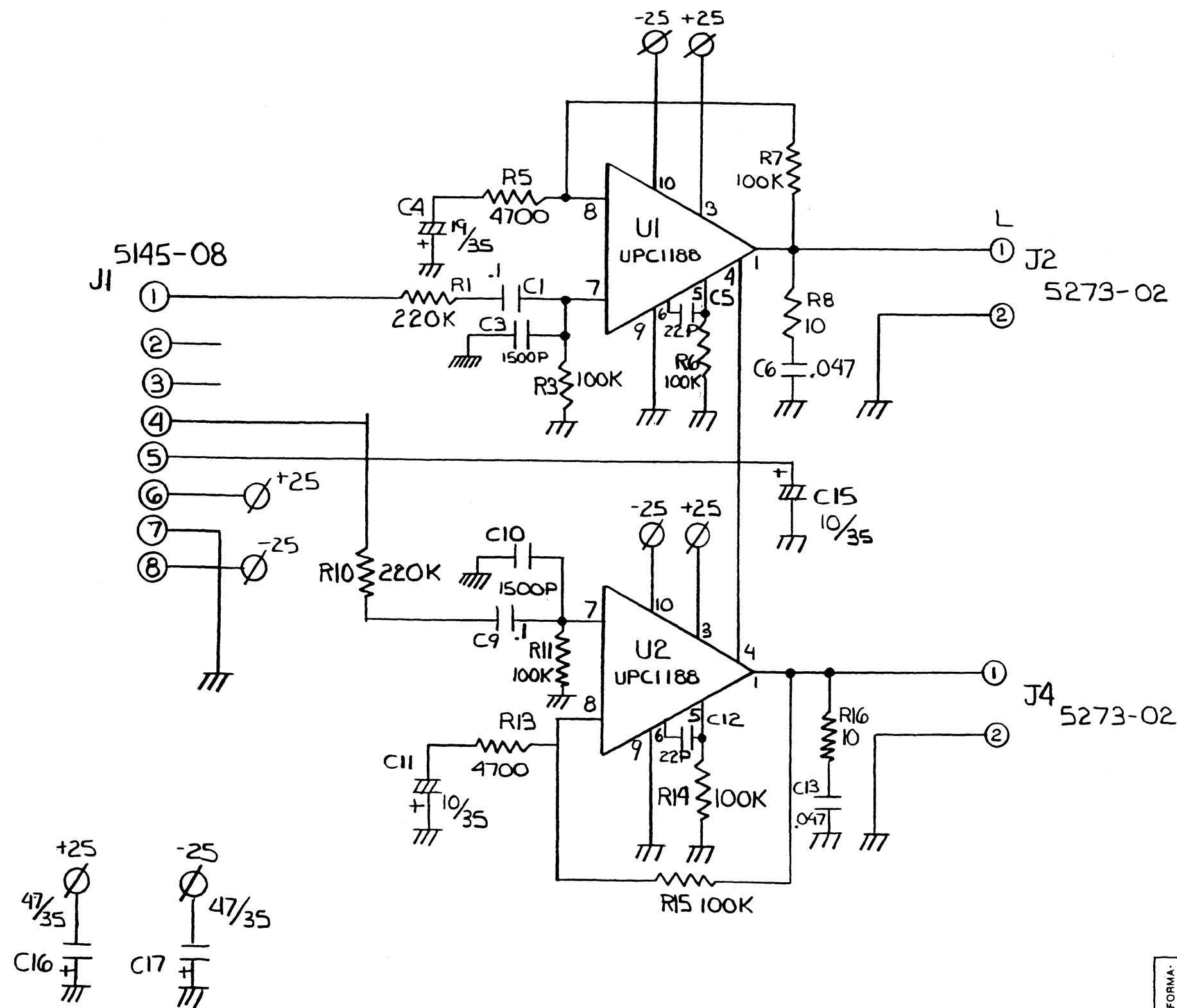


KURZWEIL MUSIC SYSTEMS, Inc.
WALTHAM, MA

FILE: EGP/MARK III PWR SUP/PWR AM.

APPROVED	DATE: 1-1-80	CHKD
CHKD	SAMPLE: 1-1-80	ENG
FOR	PO	AWD
FILE	ENG	WAL

APPROVED FOR PRODUCTION



THIS DRAWING CONTAINS PROPRIETARY INFORMATION AND IS NOT TO BE RELEASED TO OTHER PARTIES OR REPRODUCED WITHOUT WRITTEN PERMISSION OF KURZWEIL MUSIC SYSTEMS, Inc.

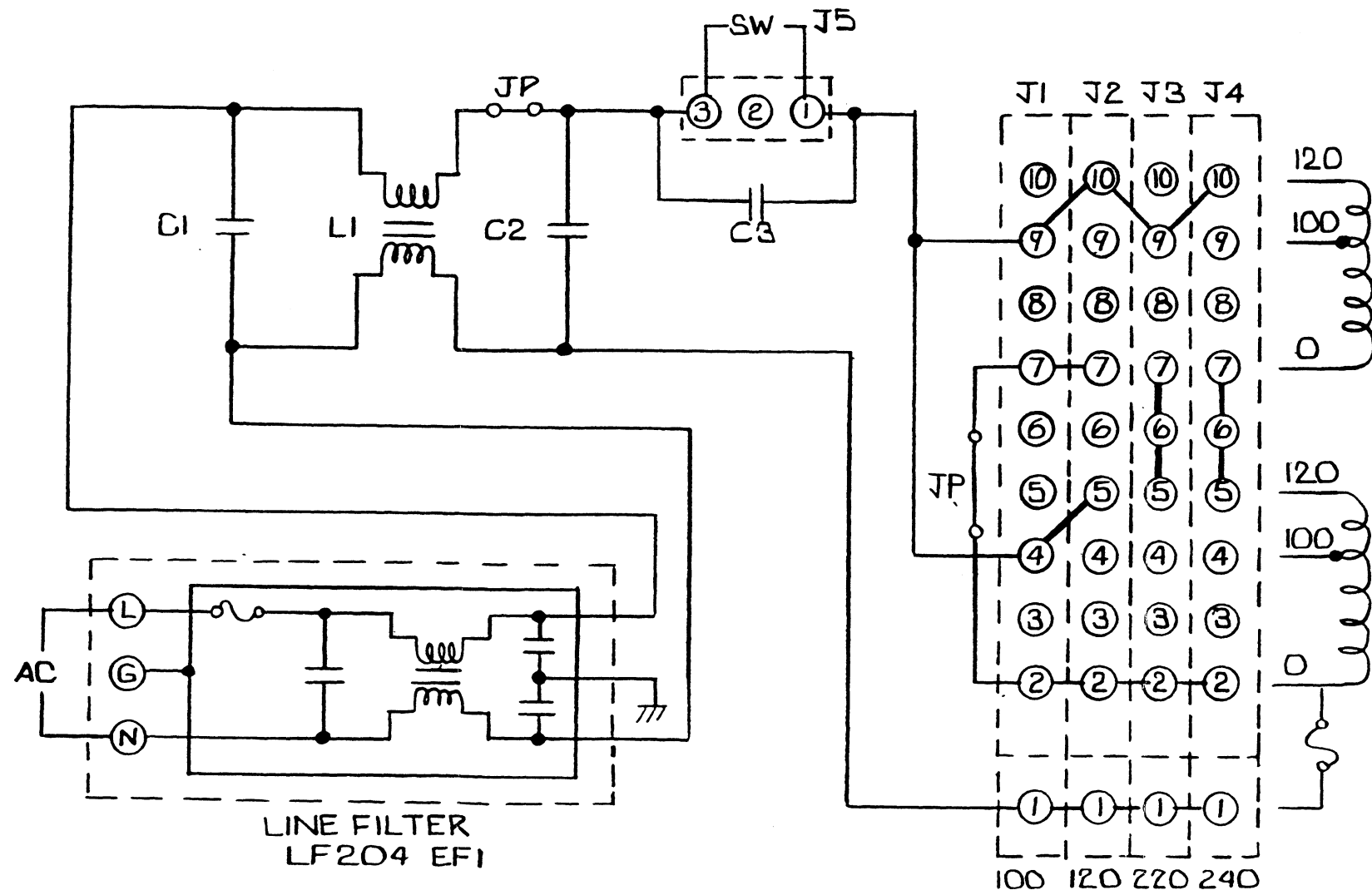
STANDARD TOLERANCES

FRACTIONAL DIMENSIONS	±
DECIMAL DIMENSIONS	0.00
DECIMAL DIMENSIONS	0.000
ANGLES	0.0
METRIC	0.00

UNLESS OTHERWISE SPECIFIED

KURZWEIL MUSIC SYSTEMS, Inc. WALTHAM, MA			
TITLE MARK III POWER Amp			
DRN	12-2-88	APPROVED FOR PRODUCTION	
APPROVED ONLY FOR	QUOTE	ENG	CKD
	SAMPLE	ENG	ENG
	PILOT	CKD	PROD
		ENG	MATL
SCALE	SIZE	DWG NO	REV
SHEET	OF	B	

REV	CHANGE	CKD	ENG
-----	--------	-----	-----

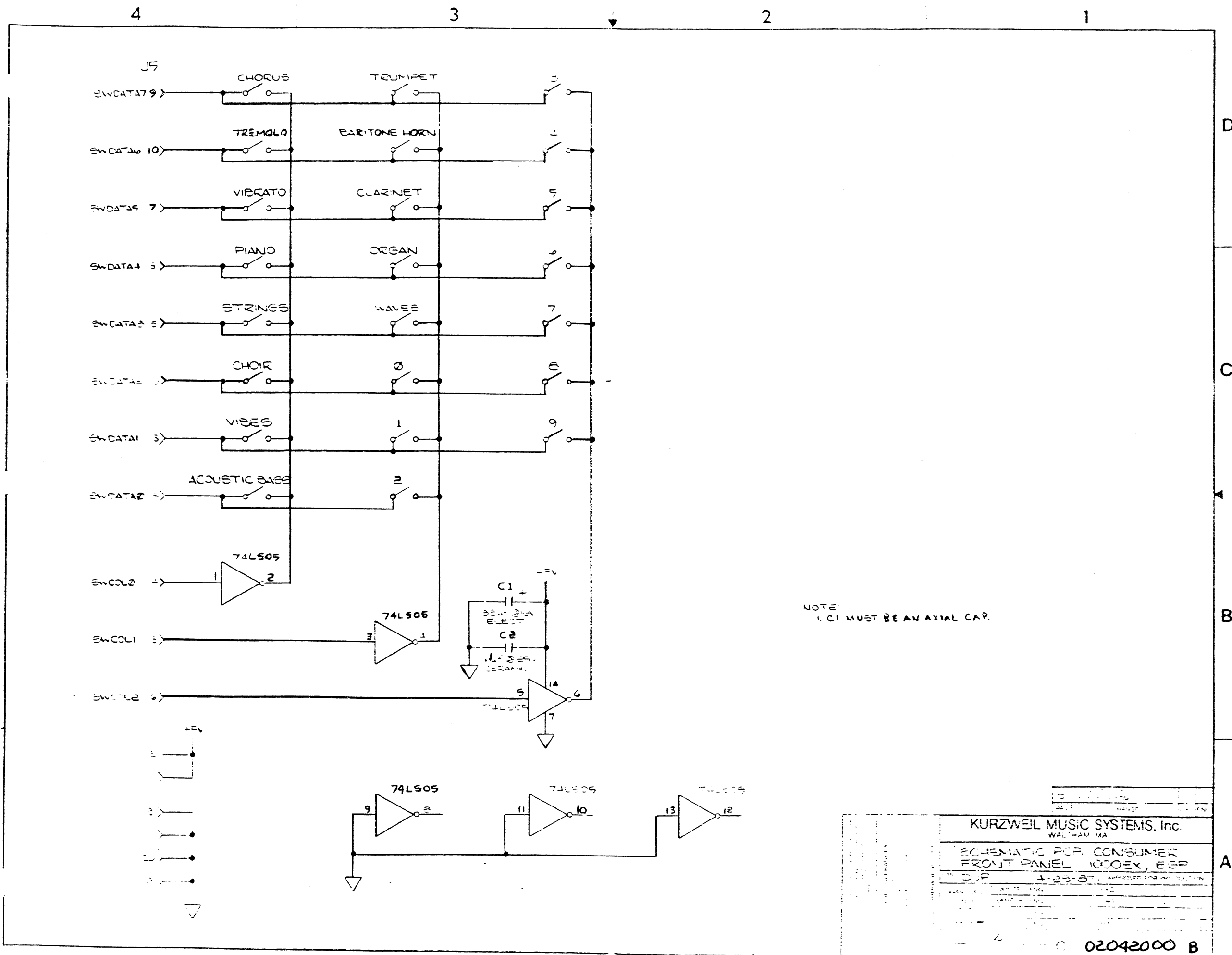


REV	CHANGE	CKD	ENG
-----	--------	-----	-----

KURZWEIL MUSIC SYSTEMS, Inc. WALTHAM, MA			
MARK III AC BOARD			
DRN	JEFF F	12-16-88	APPROVED FOR PRODUCTION
APPROVED ONLY FOR	QUOTE	ENG	CKD
	SAMPLE	ENG	ENG
	PILOT	CKD	PROD
		ENG	MATL
SCALE	OF	SIZE	DWG NO
		B	
SHEET			REV

THIS DRAWING CONTAINS PROPRIETARY INFORMATION AND IS NOT TO BE RELEASED TO OTHER PARTIES OR REPRODUCED WITHOUT WRITTEN PERMISSION OF KURZWEIL MUSIC SYSTEMS, Inc.

STANDARD TOLERANCES
 FRACTIONAL DIMENSIONS ± .00
 DECIMAL DIMENSIONS ± .000
 ANGLES 0.0
 METRIC 0.00
 UNLESS OTHERWISE SPECIFIED



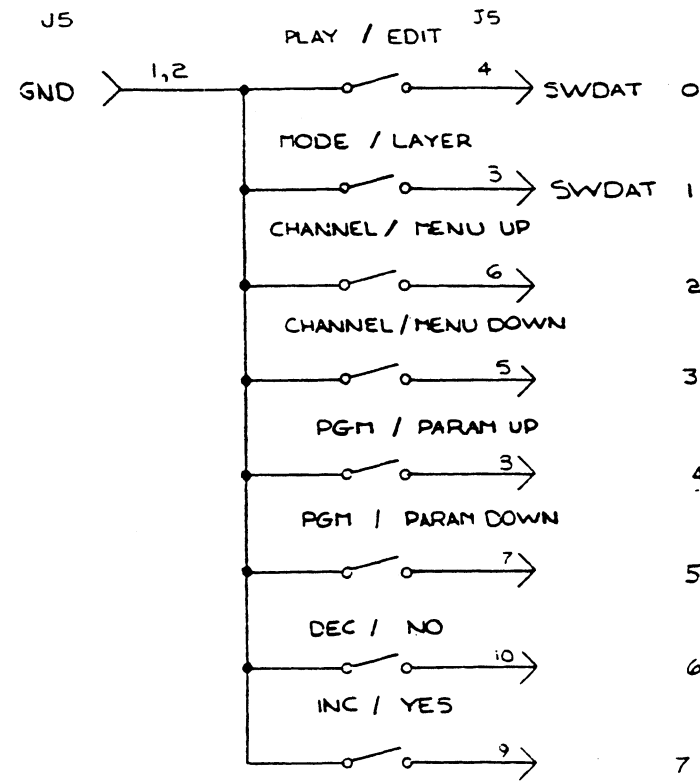
NOTE
1. C1 MUST BE AN AXIAL CAP.

KURZWEIL MUSIC SYSTEMS, Inc.
WALTHAM, MA

SCHEMATIC FOR CONSUMER
FRONT PANEL 1000EX, EGP

DATE: 1-25-87

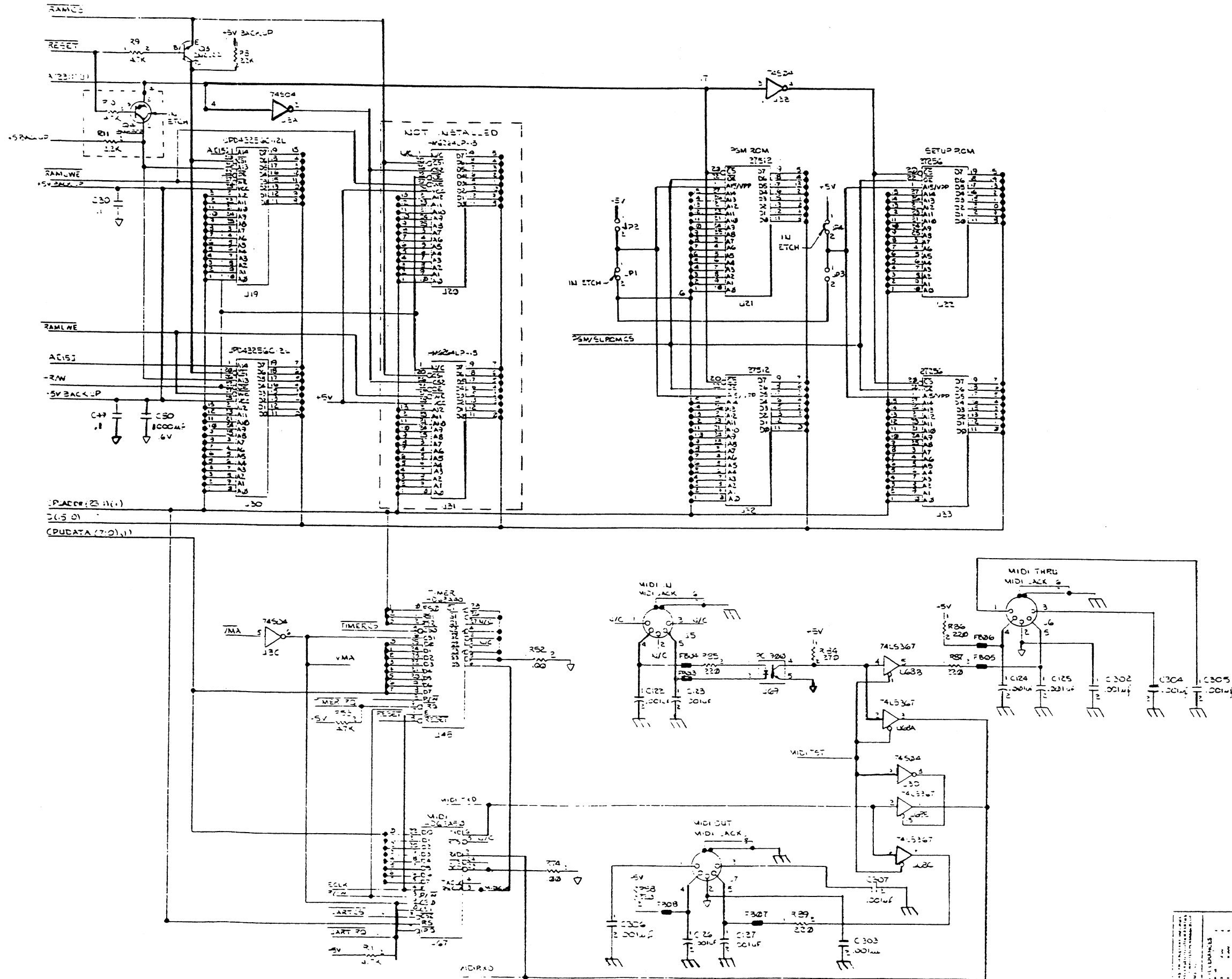
02042000 B



A	RELEASED 3-6-87	
REV	CHANGE	CKD/ENG

KURZWEIL MUSIC SYSTEMS, Inc. WALTHAM, MA			
TITLE SCHEMATIC PCB FRONT PANEL 1000 FX, HX, 9X, & GX			
DRN	SAS	9-25-86	APPROVED FOR PRODUCTION
APPROVED ONLY FOR	QUOTE	ENG	CKD
	SAMPLE	ENG	ENG <i>du</i> 4/10/87
	PLOT	CKD	PROD
		ENG	MATL
SCALE	NONE	SIZE	C
		DWG NO	02040000
		REV	A

STANDARD TOLERANCES
DIMENSIONS UNLESS OTHERWISE SPECIFIED
FRACTIONS DECIMALS MILLIMETERS
ALL DIMENSIONS UNLESS OTHERWISE SPECIFIED
UNLESS OTHERWISE SPECIFIED



REV 1

KURZWEIL MUSIC SYSTEMS, Inc.
MALDEN, MA

THE SCHEMATIC PCB CPU
1000 PV/GX/-X/EX/EX

DATE: 8-29-87

APPROVED: [Signature] ENG

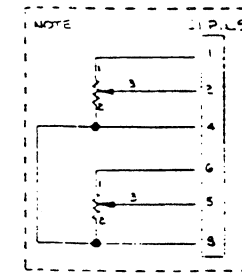
DRAWN: [Signature] ENG

DATE: 2/20/88

02037000

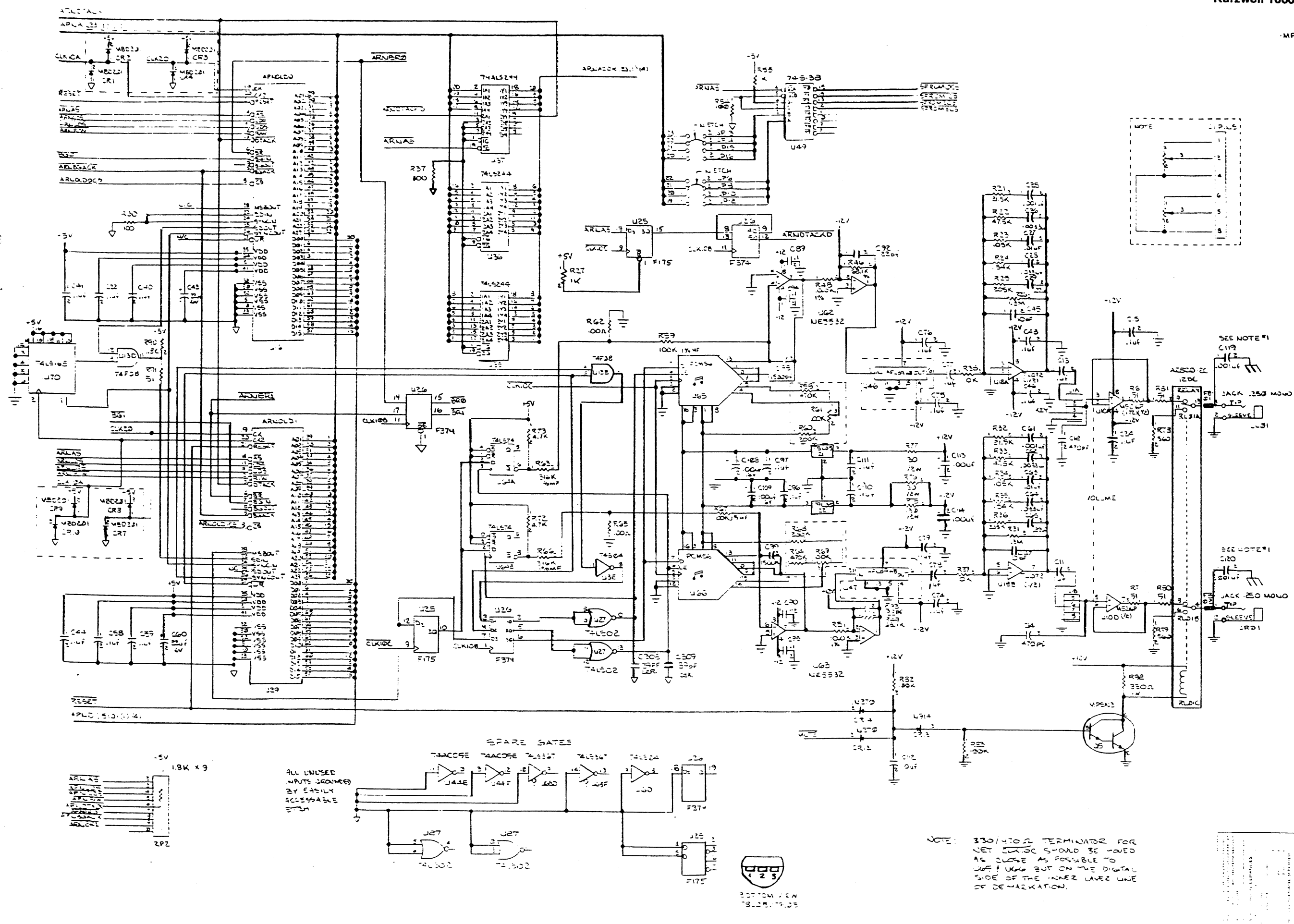
IMPORTANT NOTES:

RESISTOR R263 SHOULD BE THE ABSOLUTE MINIMUM DISTANCE FROM PINS 13 OF U67. ALSO C98 & C99 SHOULD BE MINIMUM DISTANCE. RESISTOR R260 SHOULD BE THE ABSOLUTE MINIMUM DISTANCE FROM PINS 11 & 13 OF U66.



MOUNT CAPACITORS C119 & C120 PHYSICALLY RIGHT AT PHONE JACKS J31 & J301 (FOR PC).

D CODES CR1 - CR4 SHOULD BE LOCATED AS CLOSE AS POSSIBLE TO JIG PLUS 7420. CR7-10 SHOULD BE LOCATED AS POSSIBLE TO U69 PINS 27 & 28.

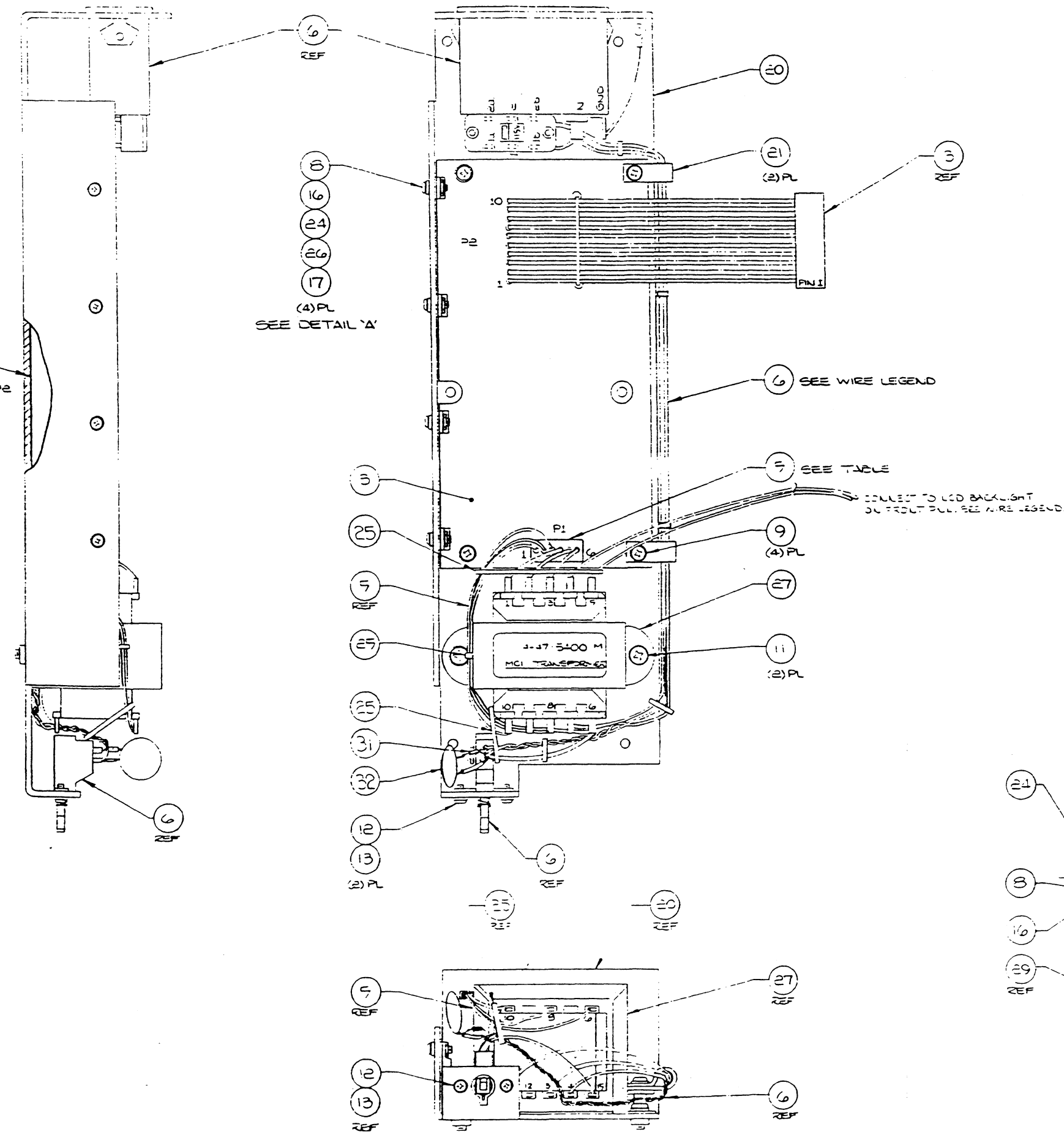


KURZWEIL MUSIC SYSTEMS, INC.
WALTHAM, MA

SCHEMATIC PCB CPU
1000FX/EX/HX/SX/EX

DATE: 10/85
DRAWN BY: J. J. J.
CHECKED BY: J. J. J.
APPROVED BY: J. J. J.

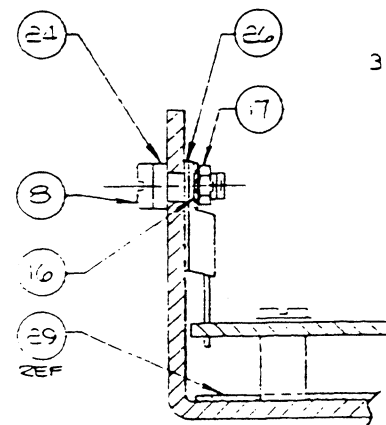
02037000



WIRE LEGEND					
COLOR	AWG	FROM	ITEM	TO	ITEM
ORANGE	18	PWR SW 2	6	XFMR 15	27
GREEN	18	FILTER 'N'	6	XFMR 11	27
GRAY	18	V-SW 2	6	XFMR 13	27
WHITE	18	V-SW 1	6	XFMR 14	27
GREEN	18	PI-1	5	XFMR 10	27
BROWN	18	PI-2	5	XFMR 8	27
GRAY	18	PI-3	5	XFMR 6	27
YELLOW	18	PI-4	5	XFMR 1	27
RED	18	PI-5	5	XFMR 2	27
ORANGE	18	PI-6	5	XFMR 3	27
RED	18	LCD BACKLIGHT	34	XFMR 5	27
BLACK	18	LCD BACKLIGHT	34	XFMR 4	27

NOTES:

- 1) SOLDER ALL CONNECTIONS, THEN COVER WITH HEAT SHRINK TUBING (ITEM #23).
- 2) ITEM #29 (INSULATOR) TO BE USED ONLY UNTIL REV 'F' OF PWR SUPPLY CHASSIS #32006001 IS PHASED INTO PRODUCTION. INSULATOR TO BE ATTACHED TO CHASSIS USING SUPPLIED ADHESIVE.
- 3) MARK THIS SURFACE WITH "MADE IN ***" *** COUNTRY OF ORIGIN.



DETAIL 'A'
SCALE: 2x1
(4) PL

1	ADDED NOTE #3	REV
2	REV 1000 1000	11/20/81
3	REV 1000 1000	11/20/81
4	REV 1000 1000	11/20/81
5	REV 1000 1000	11/20/81
6	REV 1000 1000	11/20/81
7	REV 1000 1000	11/20/81
8	REV 1000 1000	11/20/81
9	REV 1000 1000	11/20/81
10	REV 1000 1000	11/20/81
11	REV 1000 1000	11/20/81
12	REV 1000 1000	11/20/81
13	REV 1000 1000	11/20/81
14	REV 1000 1000	11/20/81
15	REV 1000 1000	11/20/81
16	REV 1000 1000	11/20/81
17	REV 1000 1000	11/20/81
18	REV 1000 1000	11/20/81
19	REV 1000 1000	11/20/81
20	REV 1000 1000	11/20/81
21	REV 1000 1000	11/20/81
22	REV 1000 1000	11/20/81
23	REV 1000 1000	11/20/81
24	REV 1000 1000	11/20/81
25	REV 1000 1000	11/20/81
26	REV 1000 1000	11/20/81
27	REV 1000 1000	11/20/81
28	REV 1000 1000	11/20/81
29	REV 1000 1000	11/20/81
30	REV 1000 1000	11/20/81
31	REV 1000 1000	11/20/81
32	REV 1000 1000	11/20/81
33	REV 1000 1000	11/20/81
34	REV 1000 1000	11/20/81
35	REV 1000 1000	11/20/81
36	REV 1000 1000	11/20/81
37	REV 1000 1000	11/20/81
38	REV 1000 1000	11/20/81
39	REV 1000 1000	11/20/81
40	REV 1000 1000	11/20/81

KURZWEIL MUSIC SYSTEMS, Inc.
WALTHAM, MA

ASSY POWER SUPPLY
1000 PWBX/HX/SX/EX

REV: 8-24-87

APPROVED: [Signature] DATE: [Date]

DATE FULL: 11005700