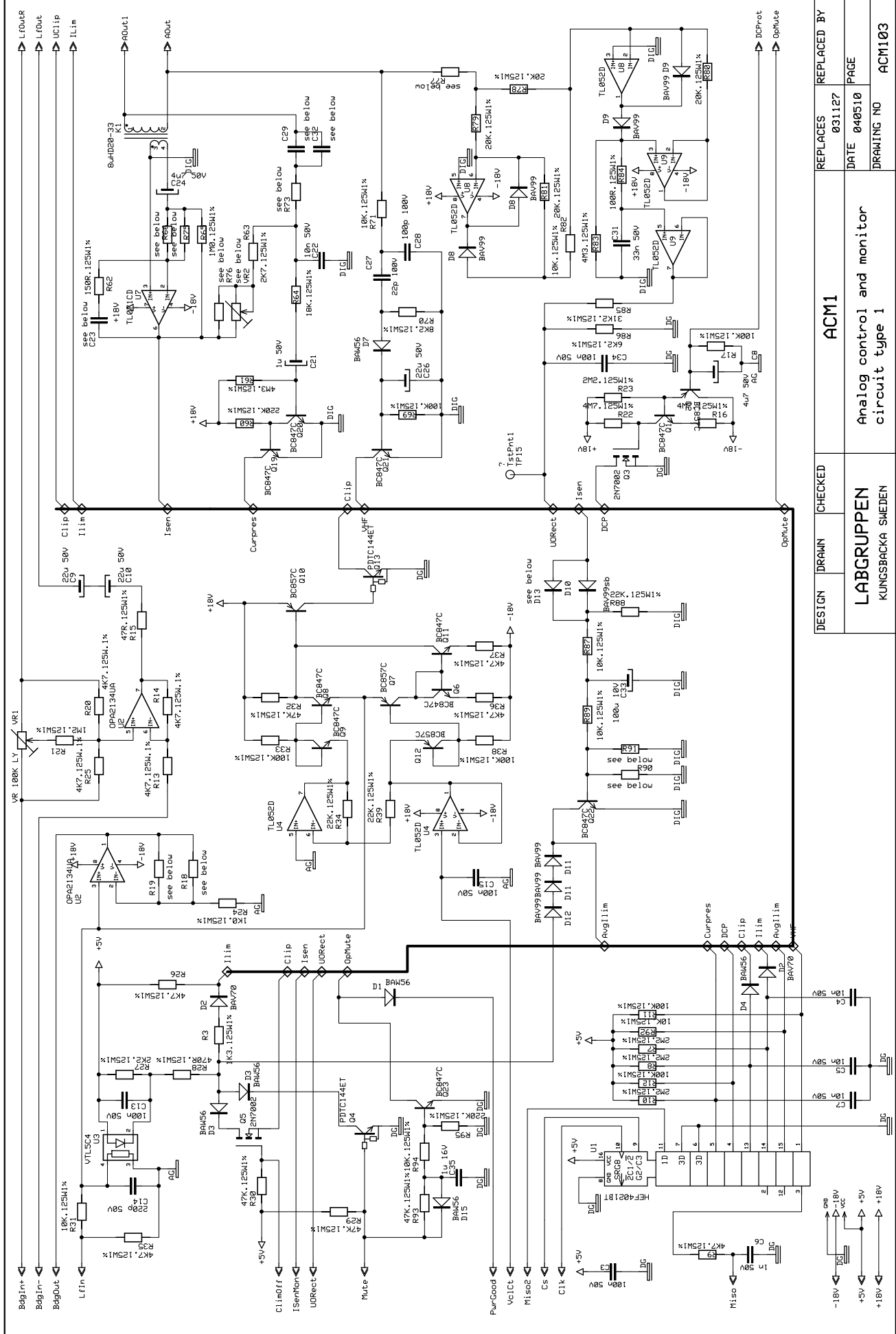


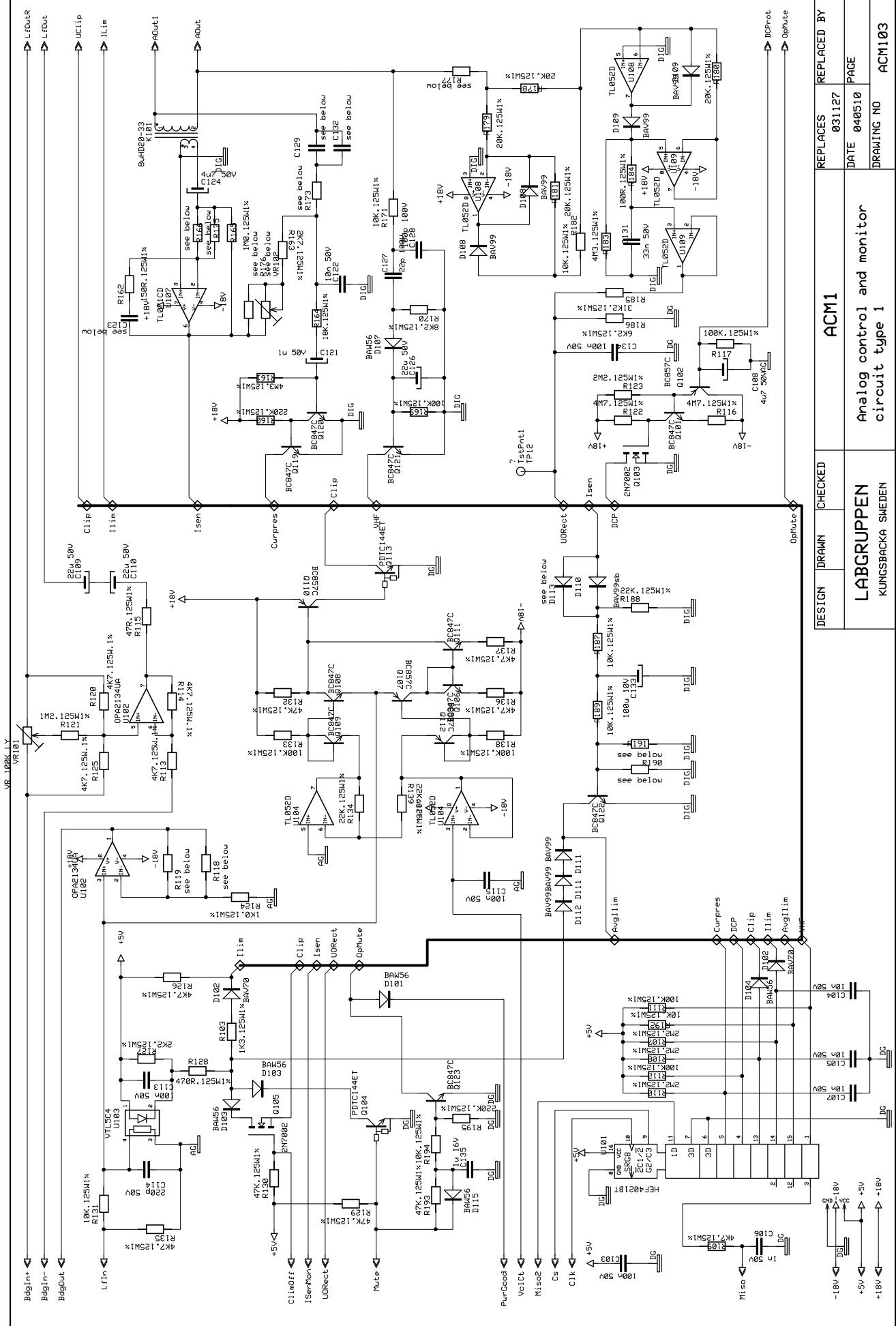
DESIGN	BRANN	CHECKED	AIC04	REPLACES BY
KA			LABGRUPPEN	DATE 06/09/99
KUNGSBRÄCKA, SWEDEN				PAGE
Analog Input, Control and Output				BRNNNS NO AIC0411
4 channels				

REPLACES BY	DATE	PAGE
AIC04	06/09/99	
LABGRUPPEN		
KUNGSBRÄCKA, SWEDEN		
4 channels		
Ext. Board		
Network In		
Network Out		

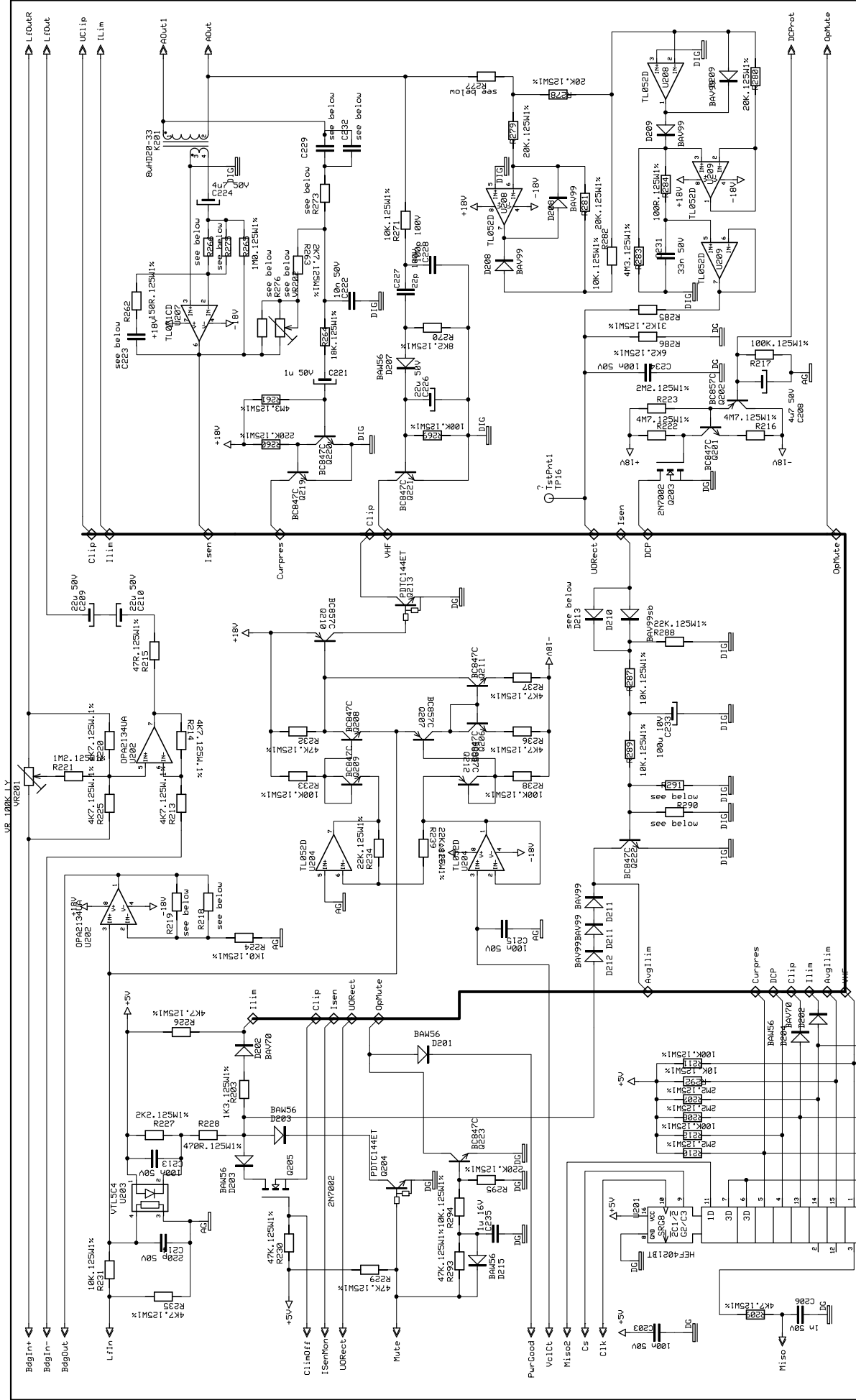


DESIGN	DRAWN	CHECKED	REPLACES	REPLACED BY
			ACM1	031127
LABGRUPPEN			DATE	PAGE
KUNGSBACKA SWEDEN			040510	
			DRAWING NO	ACM103

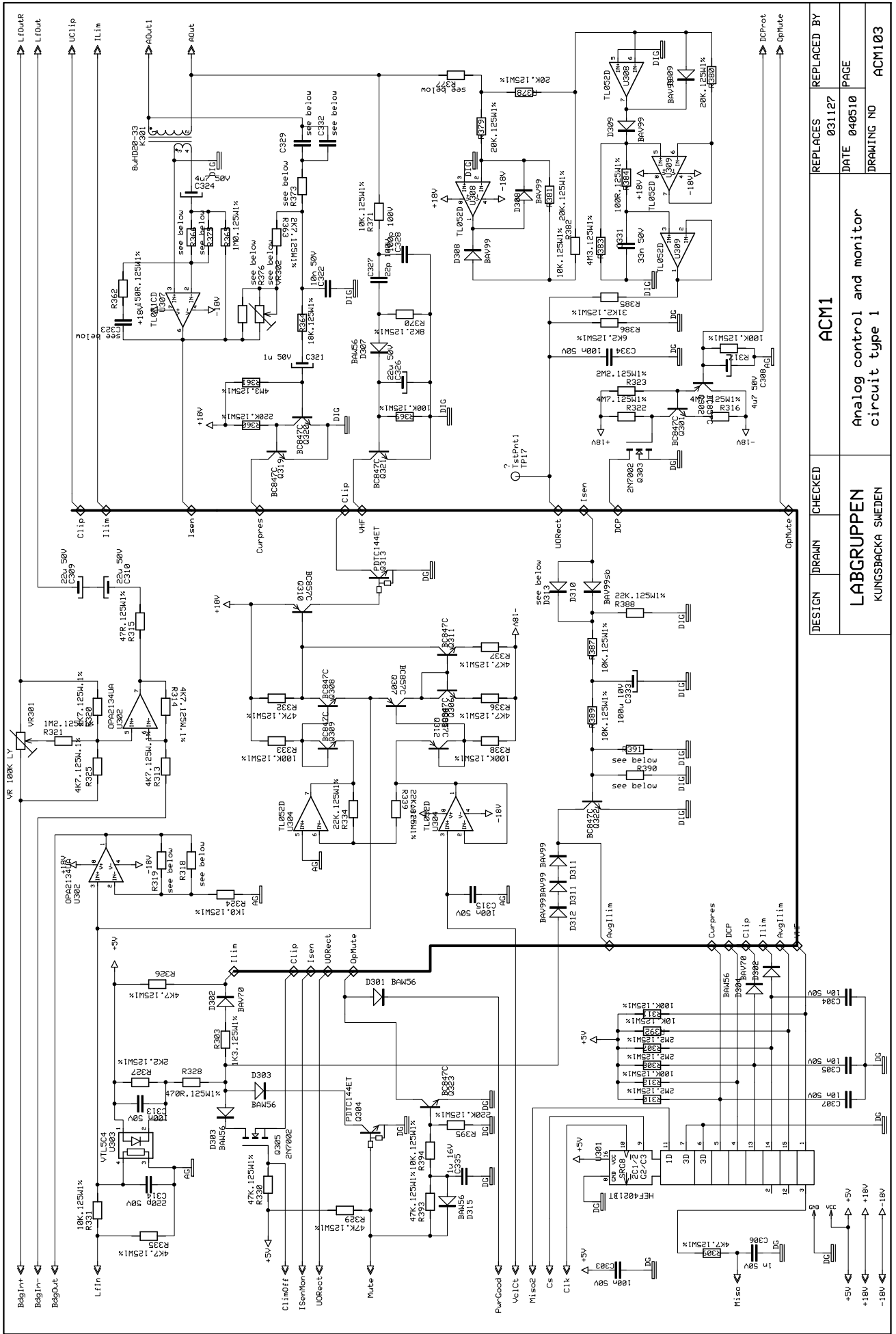
Analog control and monitor	
circuit type 1	



DESIGN	DRANN	CHECKED	ACM1	REPLACES	REPLACED BY
LABGRUPPEN				031127	
KUNGSBACKA SWEDEN				DATE	040510
				DRAWING NO	ACM103
Analog control and monitor circuit type 1					

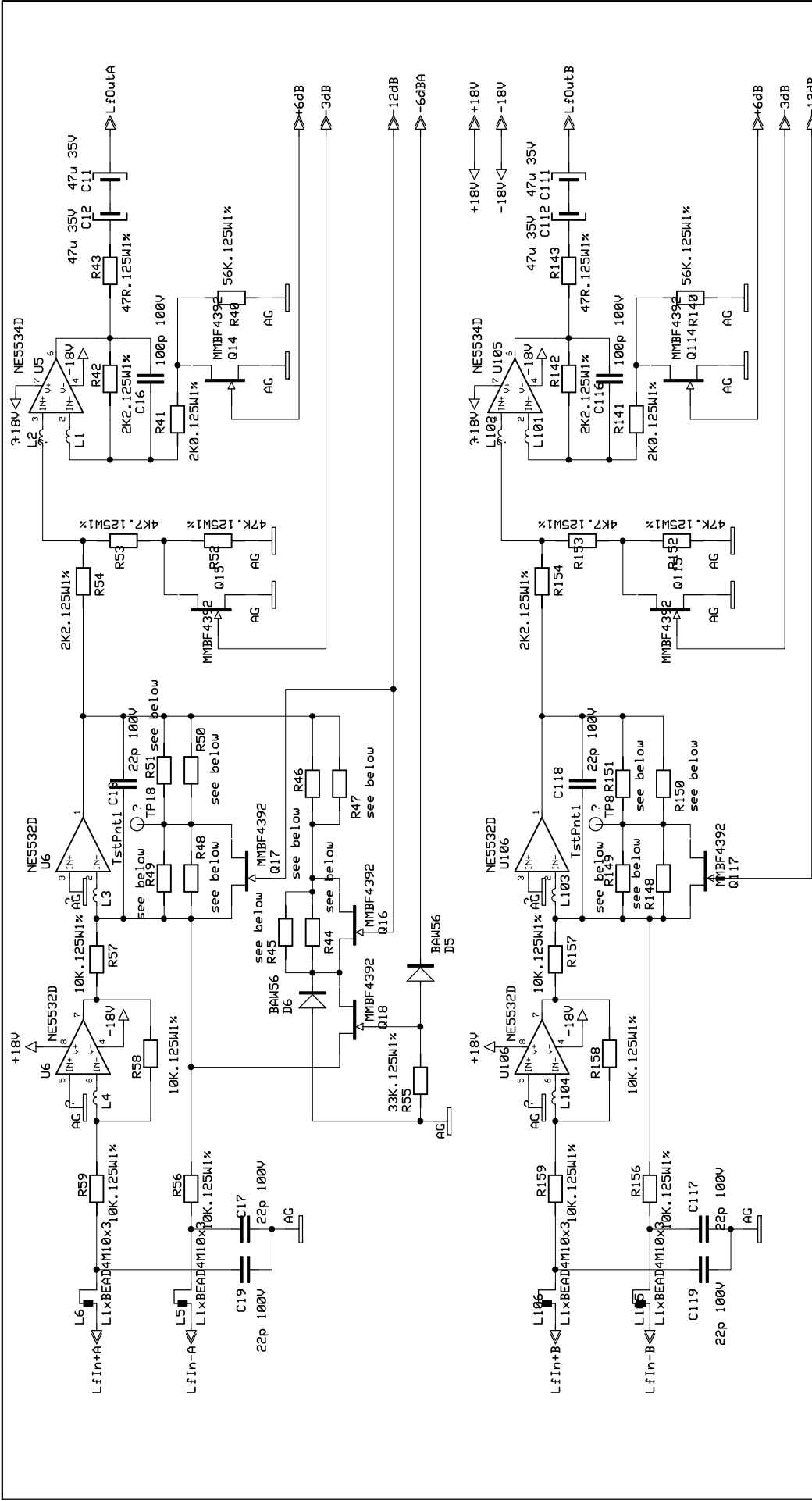


DESIGN	DRAWN	CHECKED	REPLACES	REPLACED BY
			ACM1	031127
LABGRUPPEN			DATE	PAGE
KUNGSBACKA SWEDEN			040510	
			DRAWING NO	ACM103
Analog control and monitor circuit type 1				



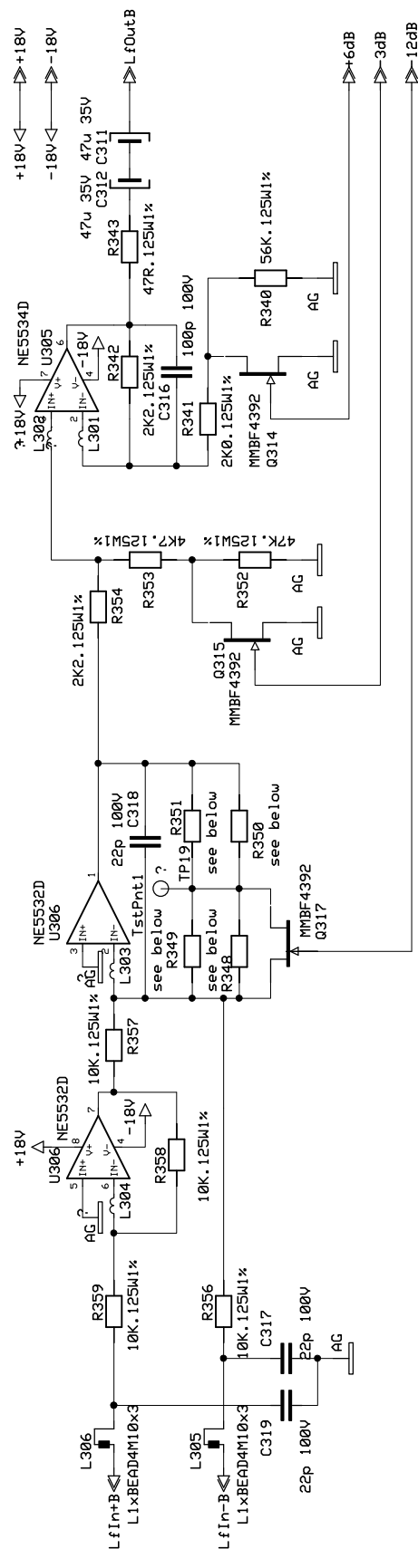
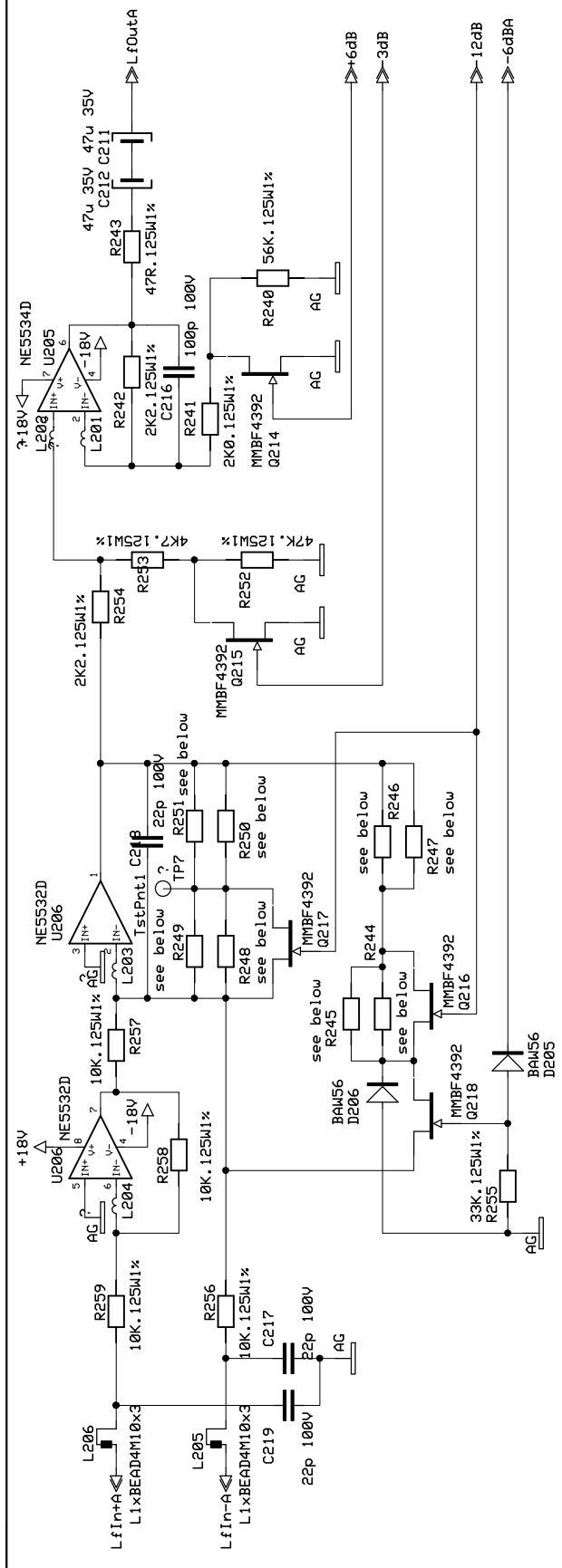
DESIGN	DRAWN	CHECKED	ACM1	REPLACES	REPLACED BY
LABGRUPPEN			031127		
KUNGSBACKA SWEDEN			DATE 040510		
			DRAWING NO		
			ACM103		

Analog control and monitor  
circuit type 1

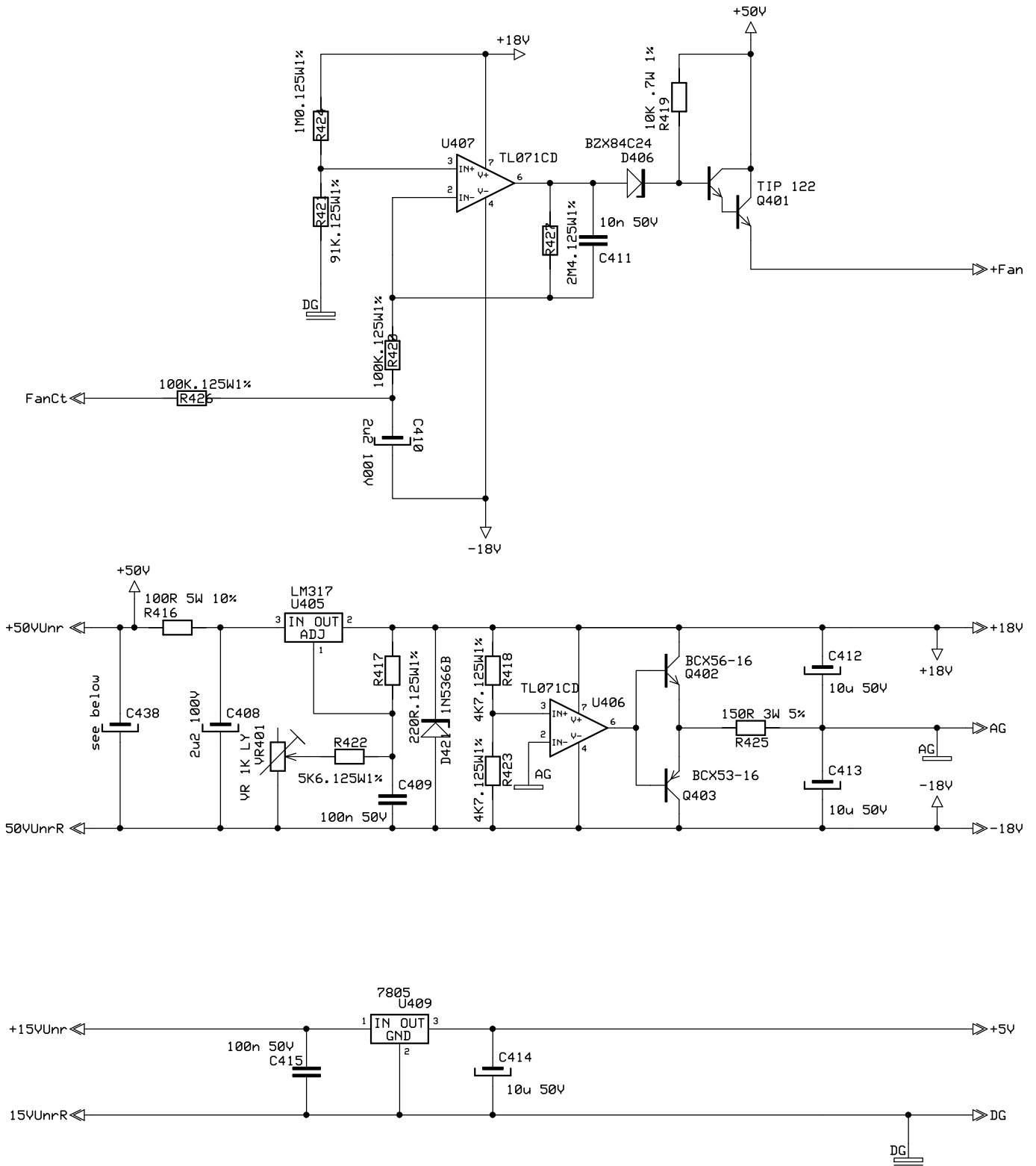


DESIGN	DRAWN	CHECKED	REPLACES	REPLACED BY
			DATE	PAGE
			DRAWING NO	

**LABGRUPPEN**  
KUNGSBACKA SWEDEN

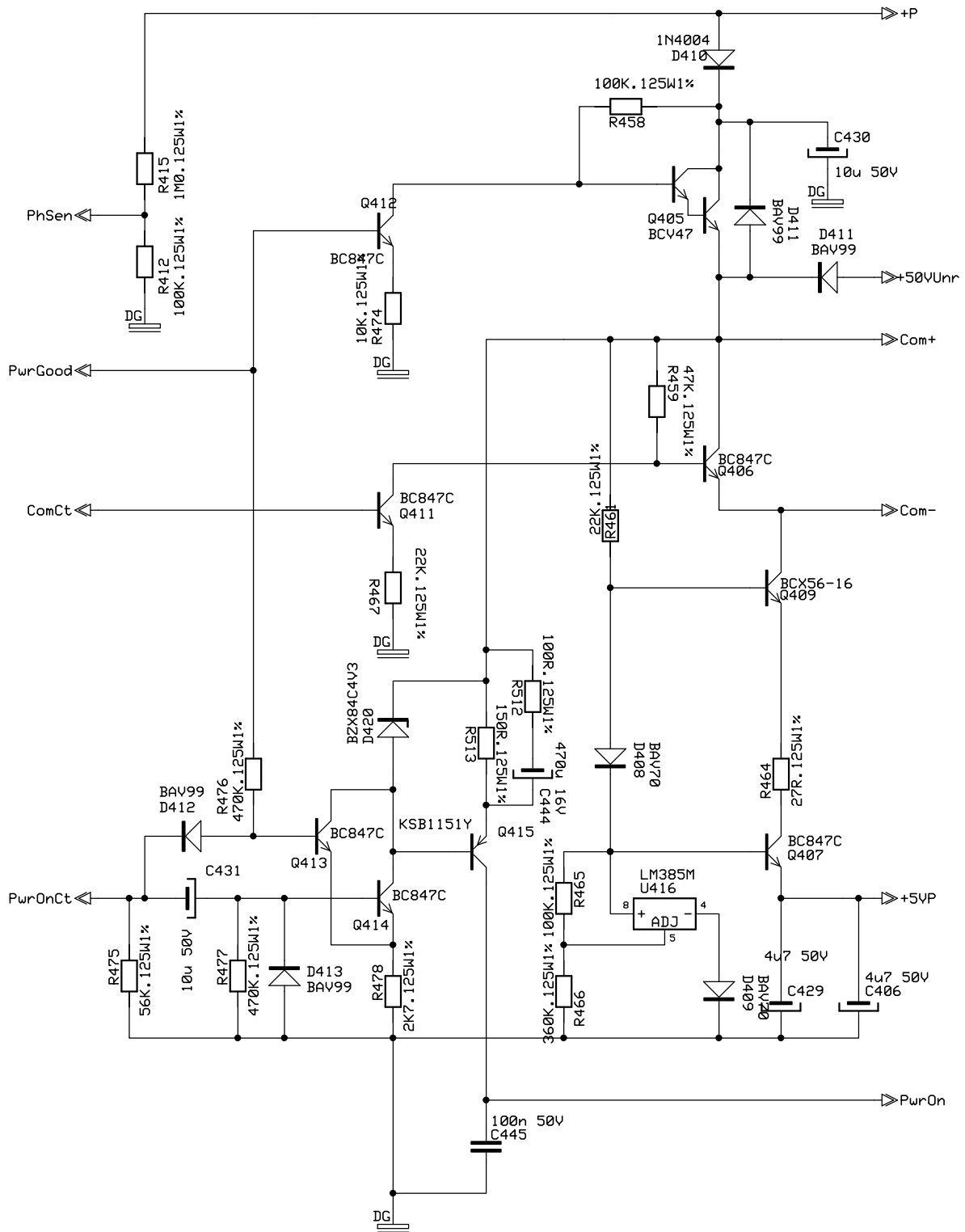


DESIGN	DRAWN	CHECKED	REPLACES	REPLACED BY
			DATE	PAGE
<b>LABGRUPPEN</b>			DRAWING NO	
KUNGSBACKA SWEDEN				

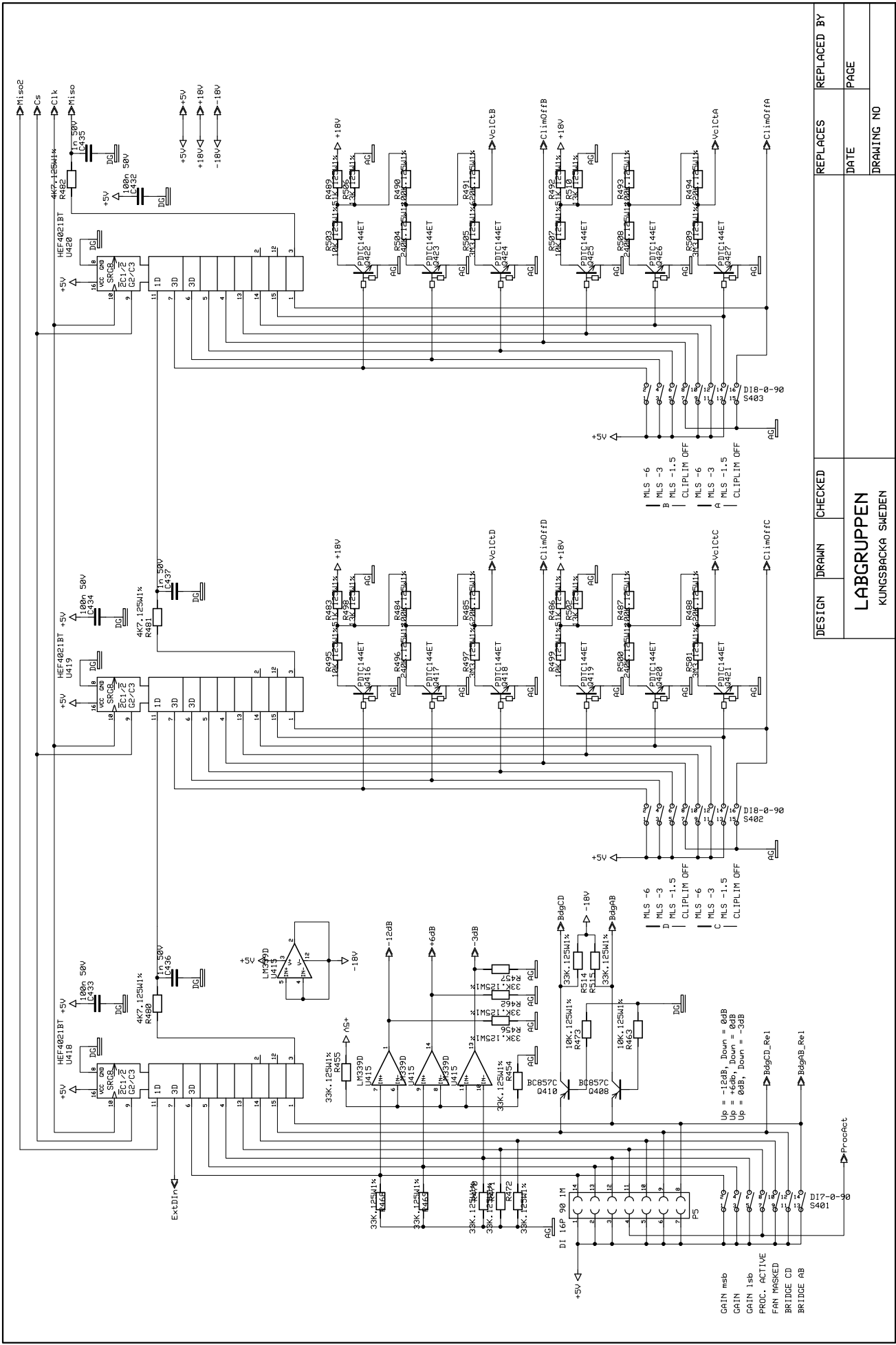


DESIGN KA	DRAWN	CHECKED	<b>LVPsB</b>	REPLACES	REPLACED BY
<b>LABGRUPPEN</b> KUNGSBACKA SWEDEN				Low voltage power supply type1	DATE 030128
				DRAWING NO	<b>LVPsB01</b>



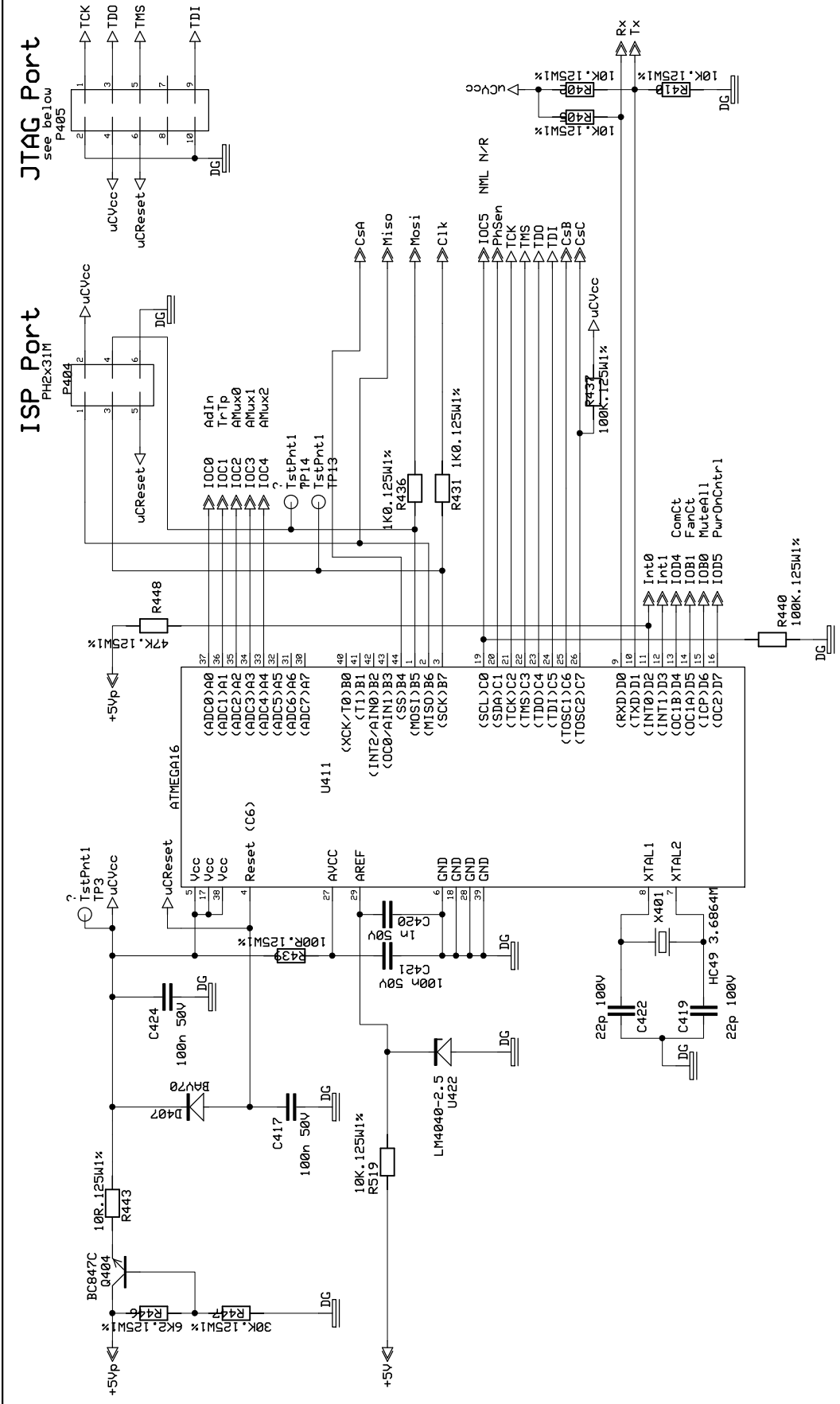


DESIGN KA	DRAWN	CHECKED	<b>NLIPs</b>	REPLACES	REPLACED BY
<b>LABGRUPPEN</b>				DATE	PAGE
KUNGSBACKA SWEDEN			Nomad Link Interface Power Supply	030128	
				DRAWING NO	<b>NLIPs01</b>



DESIGN	DRAWN	CHECKED	REPLACES	REPLACED BY
<b>LABGRUPPEN</b>			DATE	PAGE
KUNGSBACKA SWEDEN			DRAWING NO	

0517-0-90	0518-0-90	0519-0-90	0520-0-90	0521-0-90	0522-0-90	0523-0-90	0524-0-90	0525-0-90	0526-0-90	0527-0-90	0528-0-90	0529-0-90	0530-0-90	0531-0-90	0532-0-90	0533-0-90	0534-0-90	0535-0-90	0536-0-90	0537-0-90	0538-0-90	0539-0-90	0540-0-90
-----------	-----------	-----------	-----------	-----------	-----------	-----------	-----------	-----------	-----------	-----------	-----------	-----------	-----------	-----------	-----------	-----------	-----------	-----------	-----------	-----------	-----------	-----------	-----------



**JTAG Port**  
see below  
P405

**ISP Port**  
PH2x31M  
P404

DESIGN	DRAWN	CHECKED	<b>UPcB</b>		REPLACES	REPLACED BY
LABGRUPPEN			031202			031202
KUNGSBACKA SWEDEN			DATE			PAGE
			040204			040204
			DRAWING NO			UPcB01
			Micro Processor unit typeB			