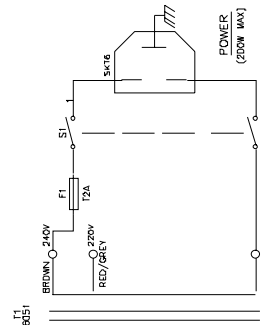
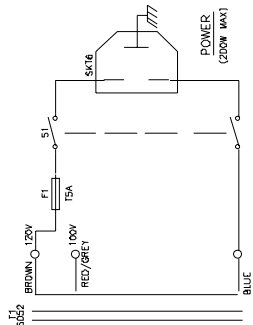
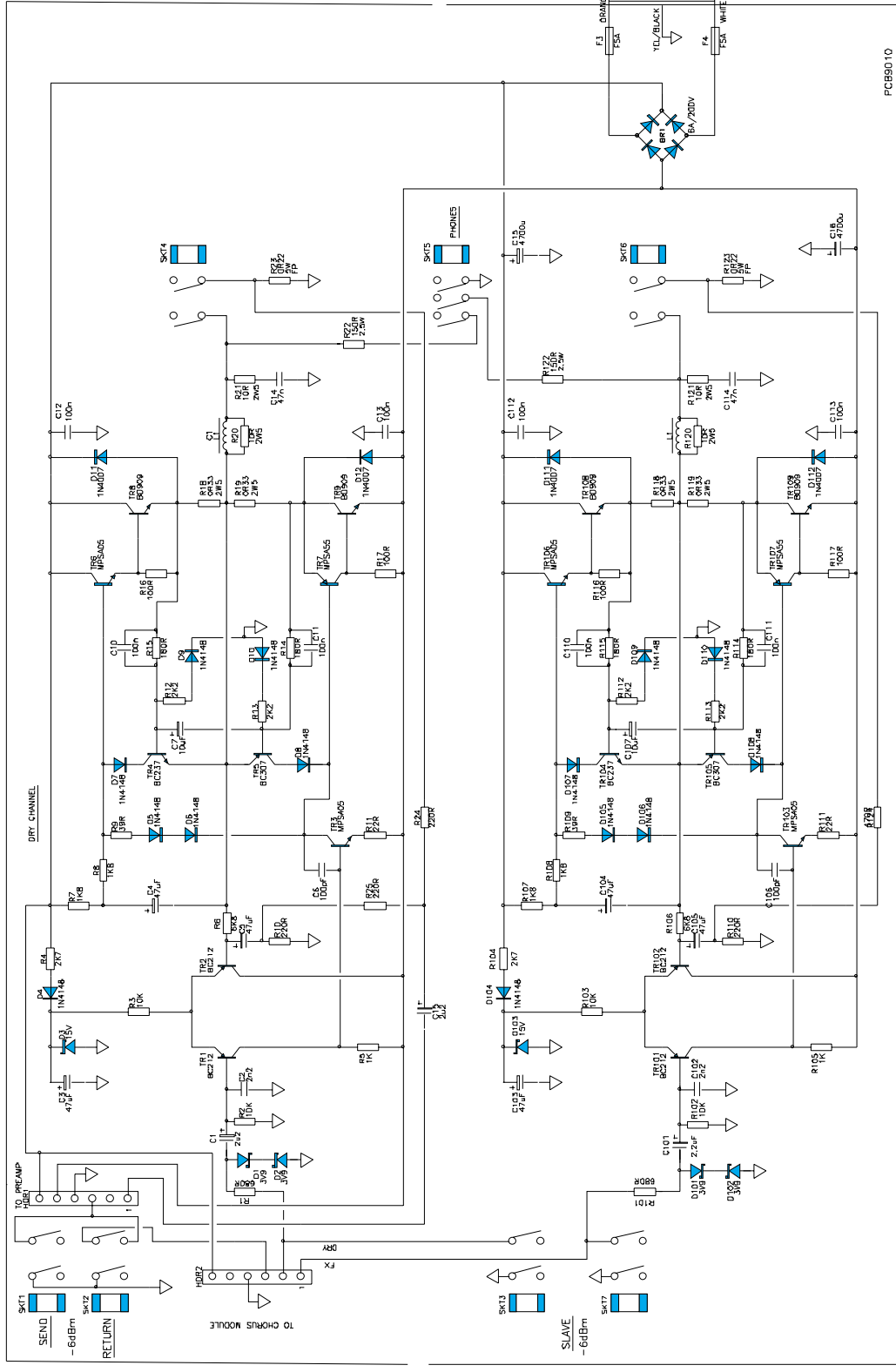


Laney

Service Diagrams

SEE
CHORUS CIRCUIT
MODULE
(DWG. 1859)

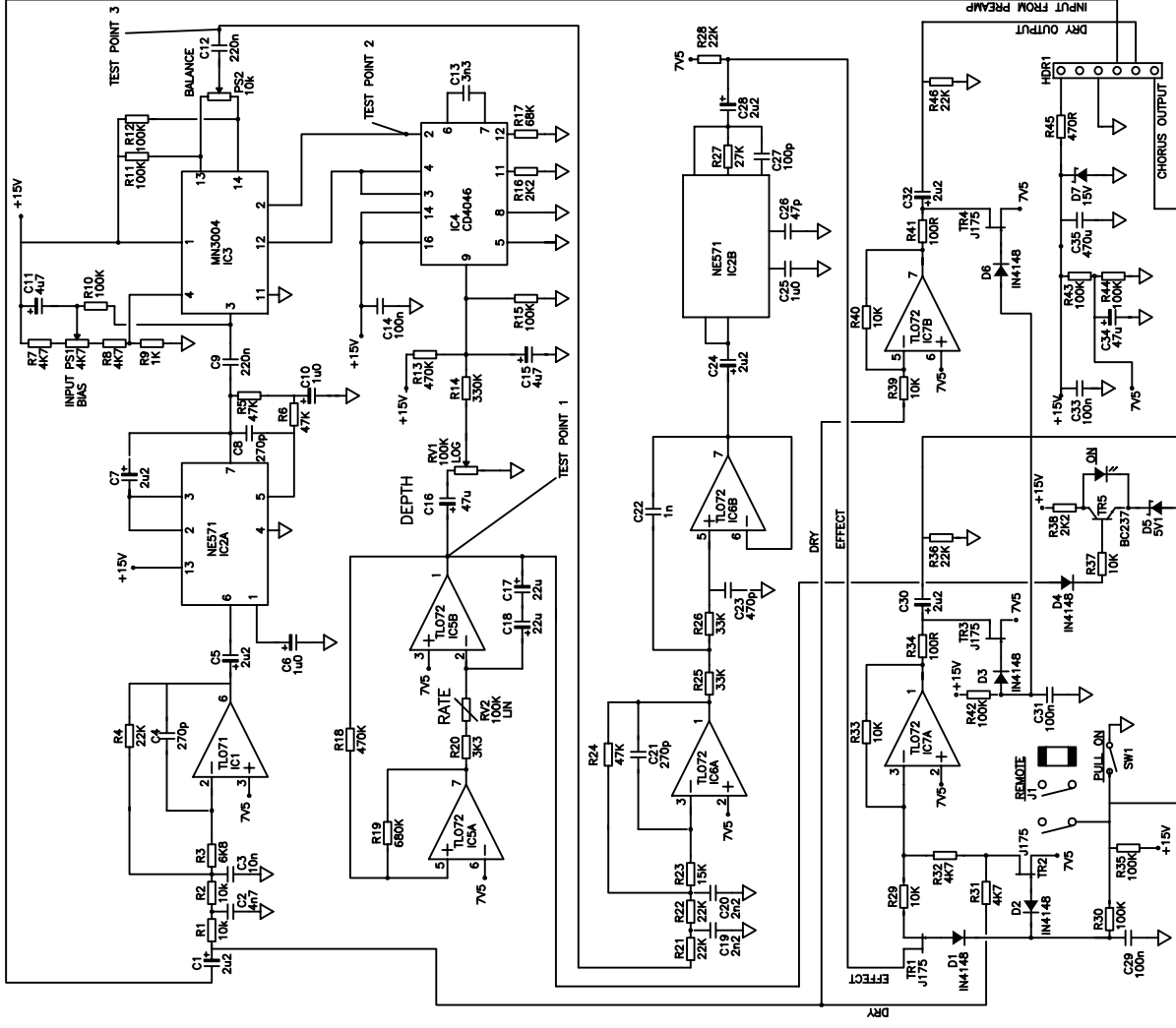


ISSUE	DESCRIPTION	APPD. DATE	TITLE	DRAWN	TRACED	CHECKED	APPROVED	DATE
2	TR 12 & D 15 ADDED	R.J.F	WORLD SERIES 100SC CIRCUIT DIAGRAM PART No	D.E.H				19/03/92

DRAWING No. 1995

LANEY

PCB9010



ISSUE	DESCRIPTION	APPD. DATE	TITLE	DRAWN	TRACED	CHECKED	APPROVED DATE
2	R16 CHANGED TO 2K2 FROM 3K3	R.J.F 23/9/92	CHORUS MODULE CIRCUIT PART No	R.J.F			11/11/92
1	REEDRAWN	R.J.F 06/07/92					

LANEY

**CHORUS MODULE
CIRCUIT
PART No**

DRAWN	TRACED	CHECKED	APPROVED DATE
R.J.F			11/11/92

DRAWING No. 1859