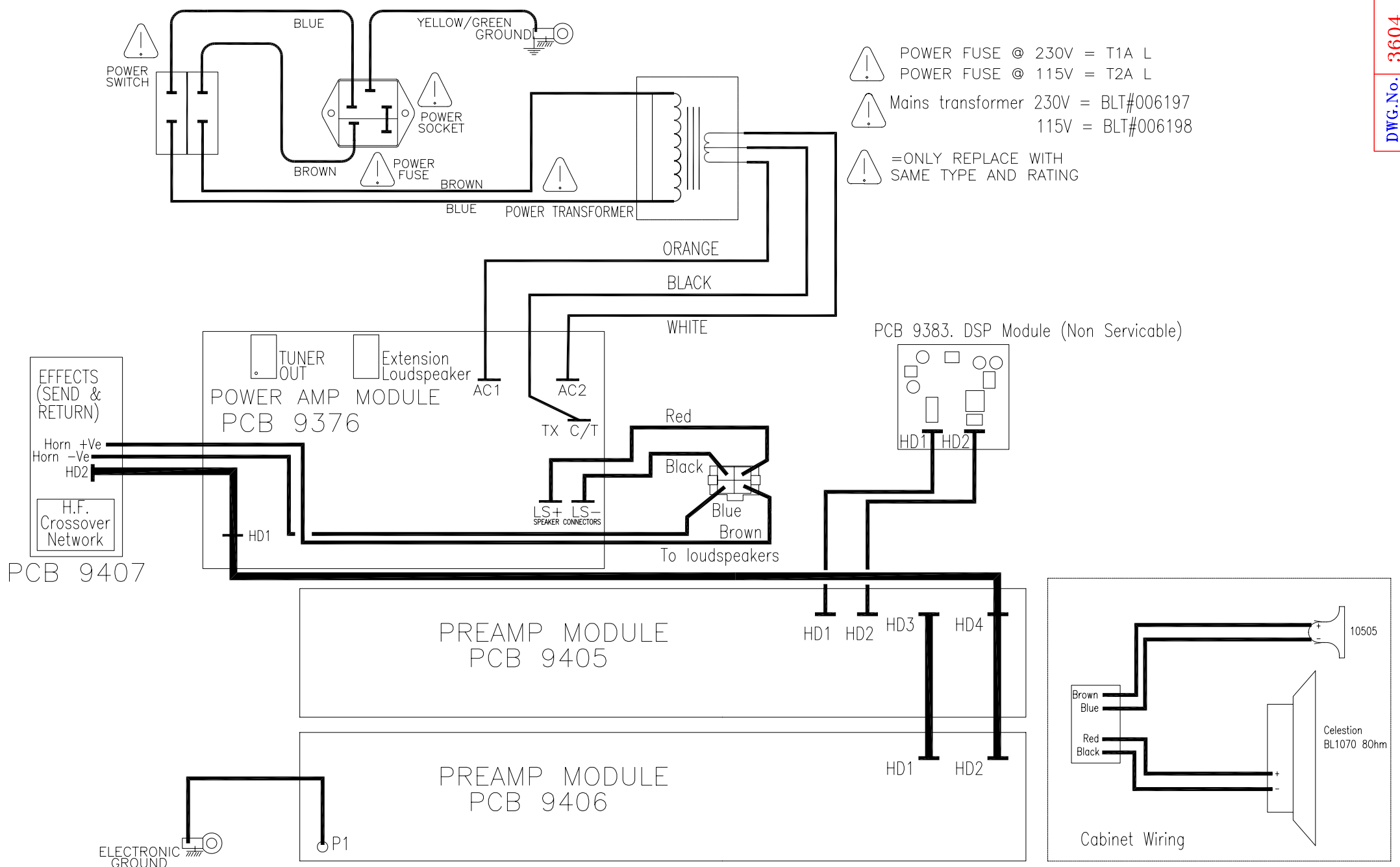


# **A1**

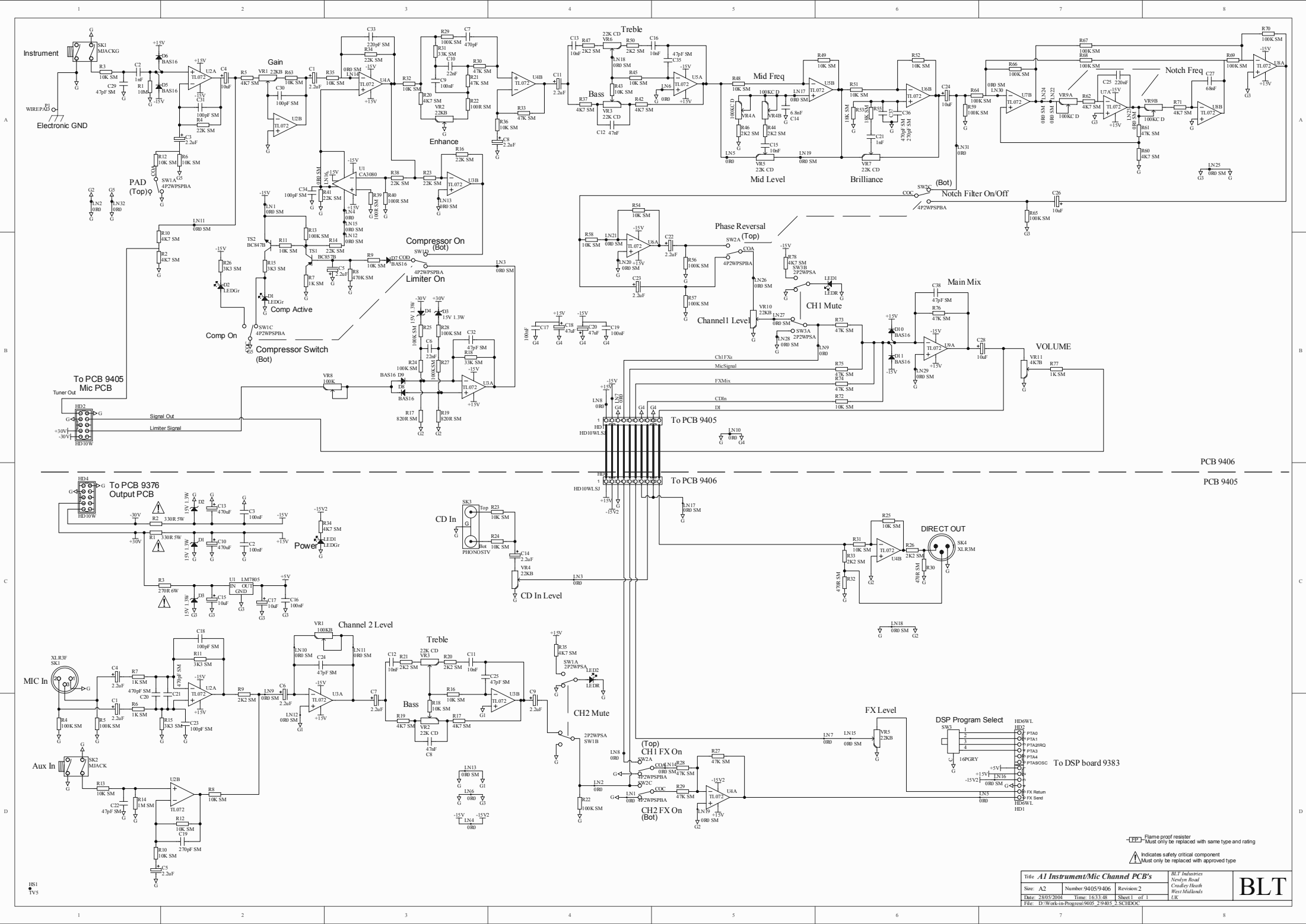
## ***Service Information***

**Laney**  
*Classic British Amplification*

**Newlyn Road, Cradley Heath, West Midlands. B64 6BE**  
**[www.laney.co.uk](http://www.laney.co.uk)**



ISSUE	DESCRIPTION	APPD.	DATE	TITLE	DRAWN	TRACED	CHECKED	APPROVED	DATE
				<p><b>BLT</b> Industries Ltd.</p>	<p><b>A1 SERVICE</b> <b>DIAGRAM</b> PART No</p>	R.S.T			24/05/04
						DRAWING No.	3604		

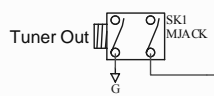


PCB 9406

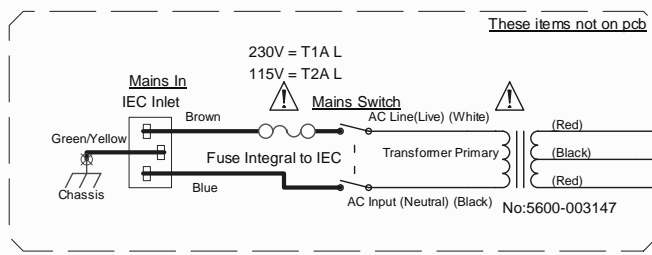
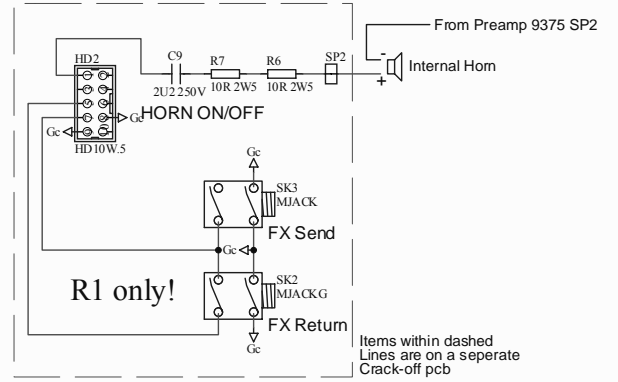
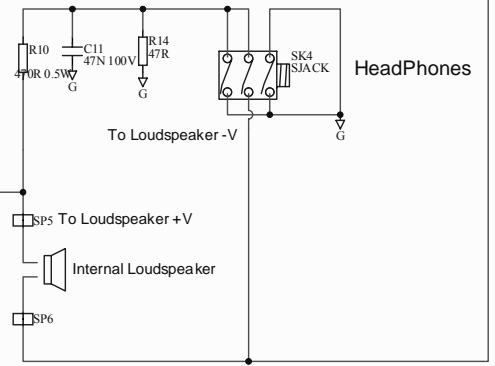
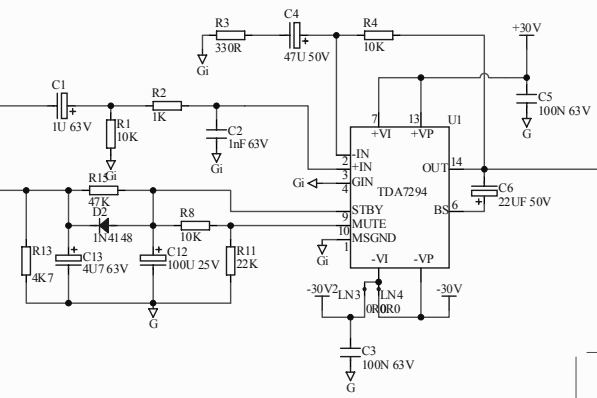
PCB 9405

Flame proof resistor  
Must only be replaced with same type and rating

Indicates safety critical component  
Must only be replaced with approved type



(R1) To Preamp PCB 9375  
 (A1) To Preamp PCB 9405/9406/9407



Flame proof resistor  
 Must only be replaced with same type and rating

Indicates safety critical component  
 Must only be replaced with approved type

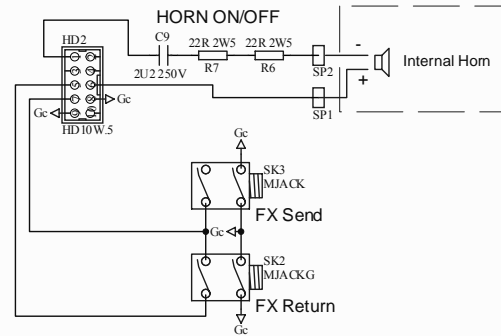
CAUTION! VERY HOT  
 65MMFINNEDHS


Revision History




**BLT Industries**

Title <b>A1/R1 Amp Output PCB</b>		
Size A3	Number <b>9376</b>	Revision <b>2</b>
Date 24/05/2004	9376 2.Sch	Sheet 1 of 1
File D:\Work-in-Progress\9376 2.Sch	Drawn By:	<b>Rich Thompson</b>



 Flame proof resistor  
Must only be replaced with same type and rating

 Indicates safety critical component  
Must only be replaced with approved type

Revision History

**BLT**  
Industries

Title		A1 FX Loop PCB	
Size	Number	Revision	
A3	9407	2	
Date	24/05/2004	9407_2.Sch	Sheet 1 of 1
File	D:\Work-in-Progress\9407_2\9407_2.Sch		Drawn By: Rich Thompson

# A1 SPARE PARTS LIST



Model No. <b>A1</b>
------------------------

SPARES ITEM	DESCRIPTION	PART No.
-------------	-------------	----------

Mains Transformer	100V	5600-1126-1 A1 100V Mains Transformer	006207	
	120V	5600-002068B A1 115V Mains Transformer	006198	
	230V	5600-002067B A1 230V Mains Transformer	006197	
Reverb Unit		On 9383 PCB		
Loudspeaker		Celestion BL1070 8 Ohm	51004	
Horn		Le-Son TLC-1	10505	
Switch	Power	5A DPDT Rocker Switch	530027	
Mains Fuse	100-120V	T2A 20mm Spiral Wound	005526	
	220-240V	T1A 20mm Spiral Wound	005530	
Corner	Front/Back	Black Non Hooked Type	007035	
Jack Socket		1/4 Jack Socket - Standoff Type - Stereo	005098	
		1/4 Jack Socket - Standoff Type - Mono - Gold	005132	
		1/4 Jack Socket PCB Mount	005002	
PCB's	9383	DSP Module PCB Complete	007068	
	9407	FX Loop PCB Complete	007070	
	9406	Instrument Chan. PreAmp PCB Complete	007084	
	Pots	VR11	4K7Lin 6mm Spline	004072
		VR4/9	100K AntiLog 6mm Spline Dual	004075
		VR3/5/6/7	22K Lin 6mm Spline C/Detent	004099
		VR1/2/10	22K Lin 6mm Spline	004061
	Switch	SW3	2P2W Push Switch	005017
		SW1/2	Piggyback Push Switch 4P2W Double	005300
	9405	Mic. Chan. PreAmp PCB Complete	007133	
	Pots	VR1	100K Lin 6mm Spline	004071
		VR2/3	22K Lin 6mm Spline C/Detent	004099
		VR4/5	22K Lin 6mm Spline	004061
	Switch	SW1	2P2W Push Switch	005017
		SW2	Piggyback Push Switch 4P2W Double	005300
		SW3	16 Way Gray Code Rotary Switch	005131
	Socket	SK1	Female XLR3F	005054
SK2		Male XLR3	005624	
Badge		Small Laney Badge	10057	
Control Knob	1	A1 Round Black/White Top	005651	
	2	A1 Round Black/White Top (Flatted for Effects Control)	005652	
Handle		Black Strap Handle	10100	
Mains Inlet Socket		IEC Mains Inlet Socket Fused	005005	
Mains Lead		Country Dependant		
Feet		Screw on Rubber Feet	10059	
Output / Safety Critical Device	1	TDA7294 100V100W Audio Amplifier IC	003401	
	2	3300uF 50V Radial Capacitor	002044	
Cabinet Minus Loudspeaker		Carcass minus L/Speaker A1	007021	
Manual		A1 User Manual	007022	