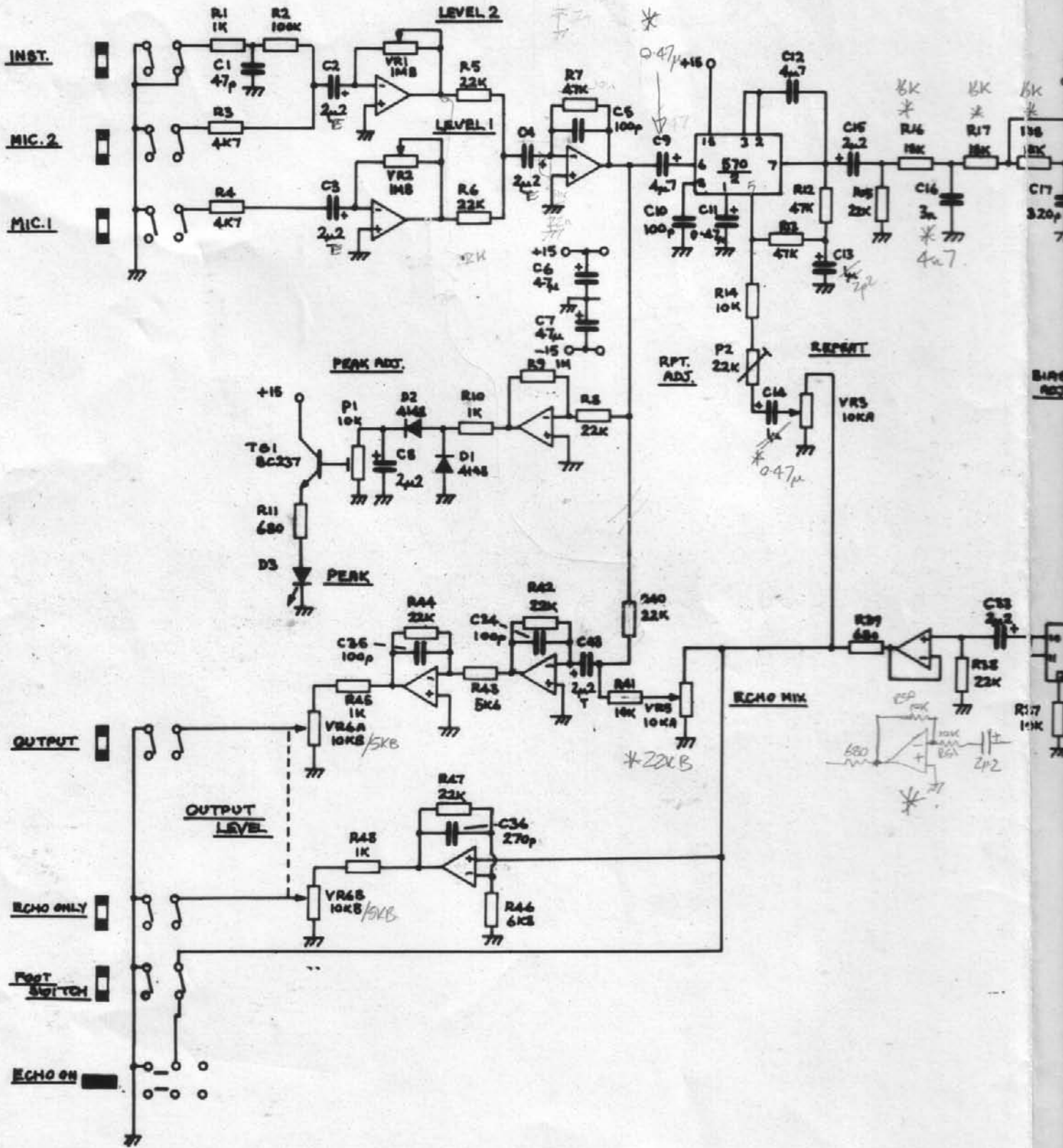
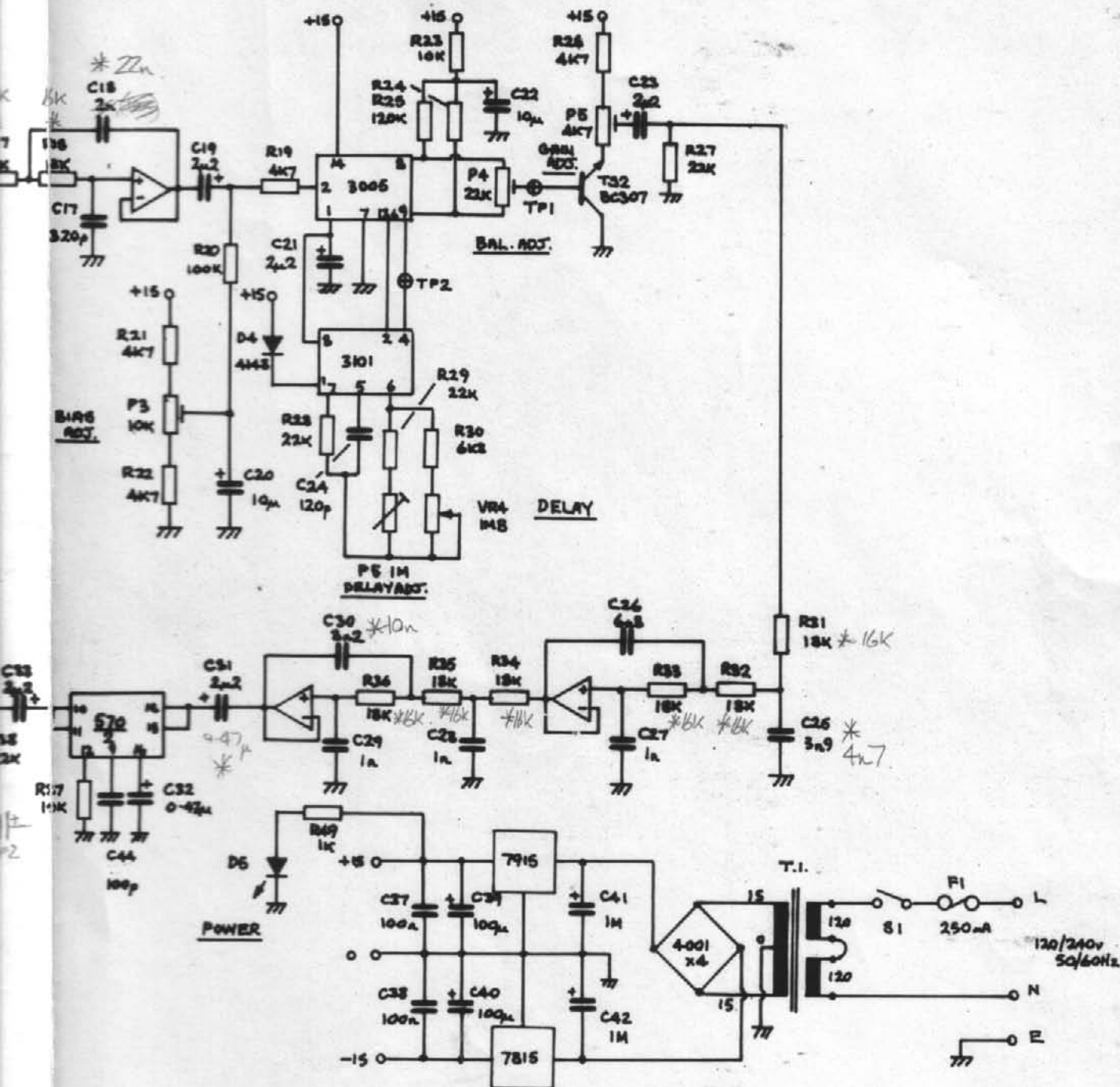


REF. 100-1000





LANEY AMPLIFICATION LTD.

11 25/8/82

12 6/7/83

ADX Echo unit

Drq 1006/1

19/8/82 DEH