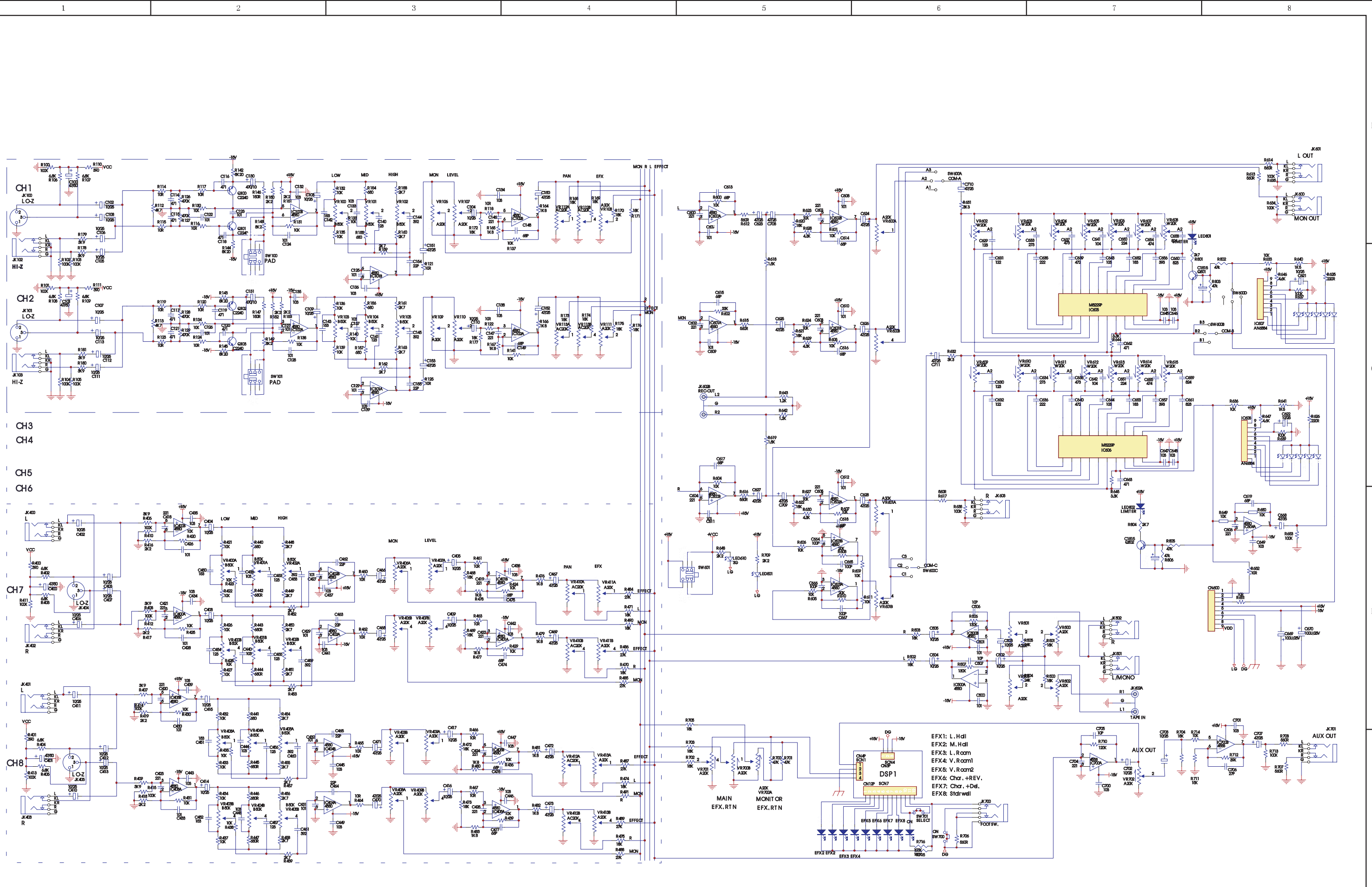


# **CD1042S**

## ***Service Information***

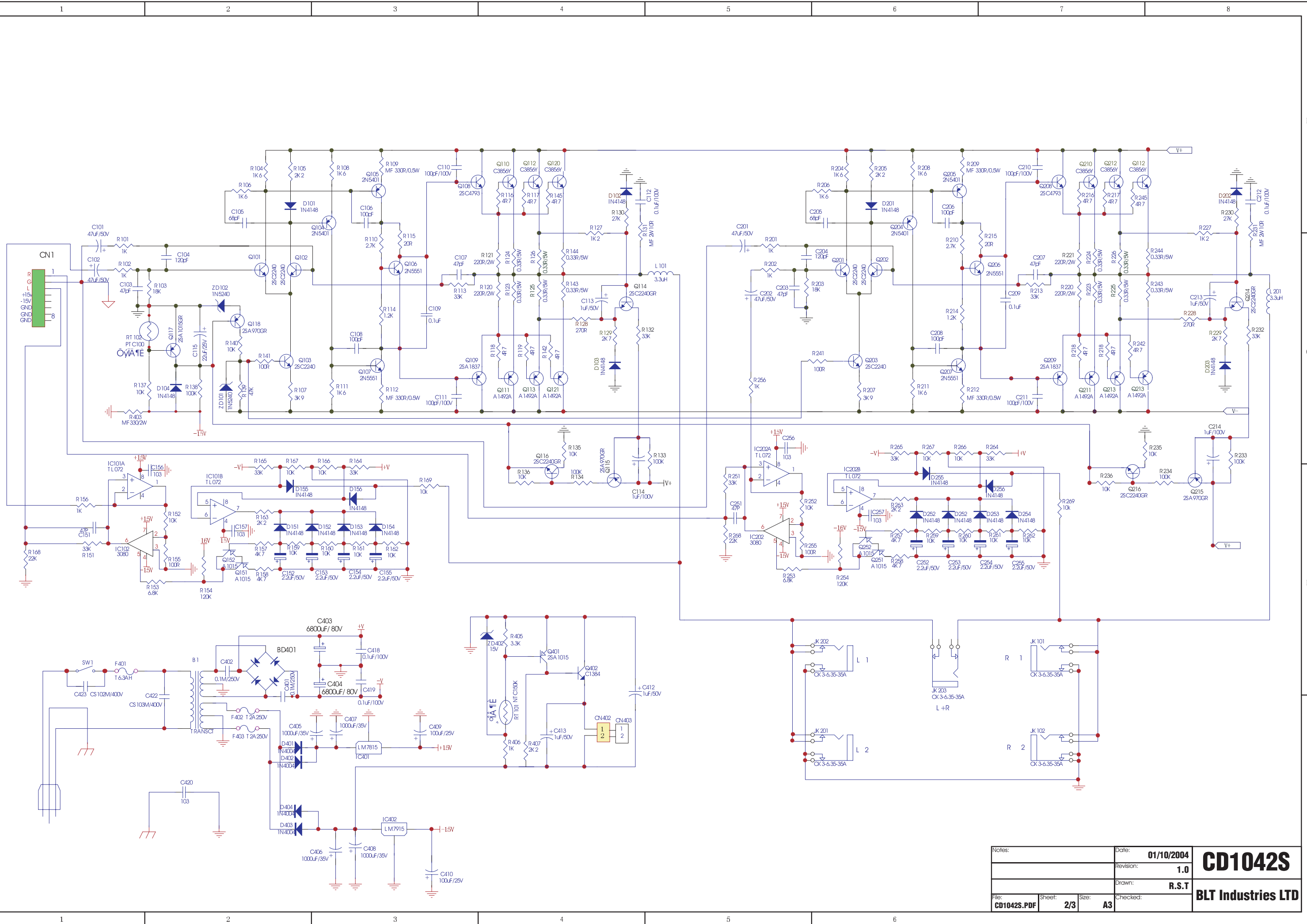
# **Laney**

***Newlyn Road, Cradley Heath, West Midlands. B64 6BE***  
***[www.laney.co.uk](http://www.laney.co.uk)***

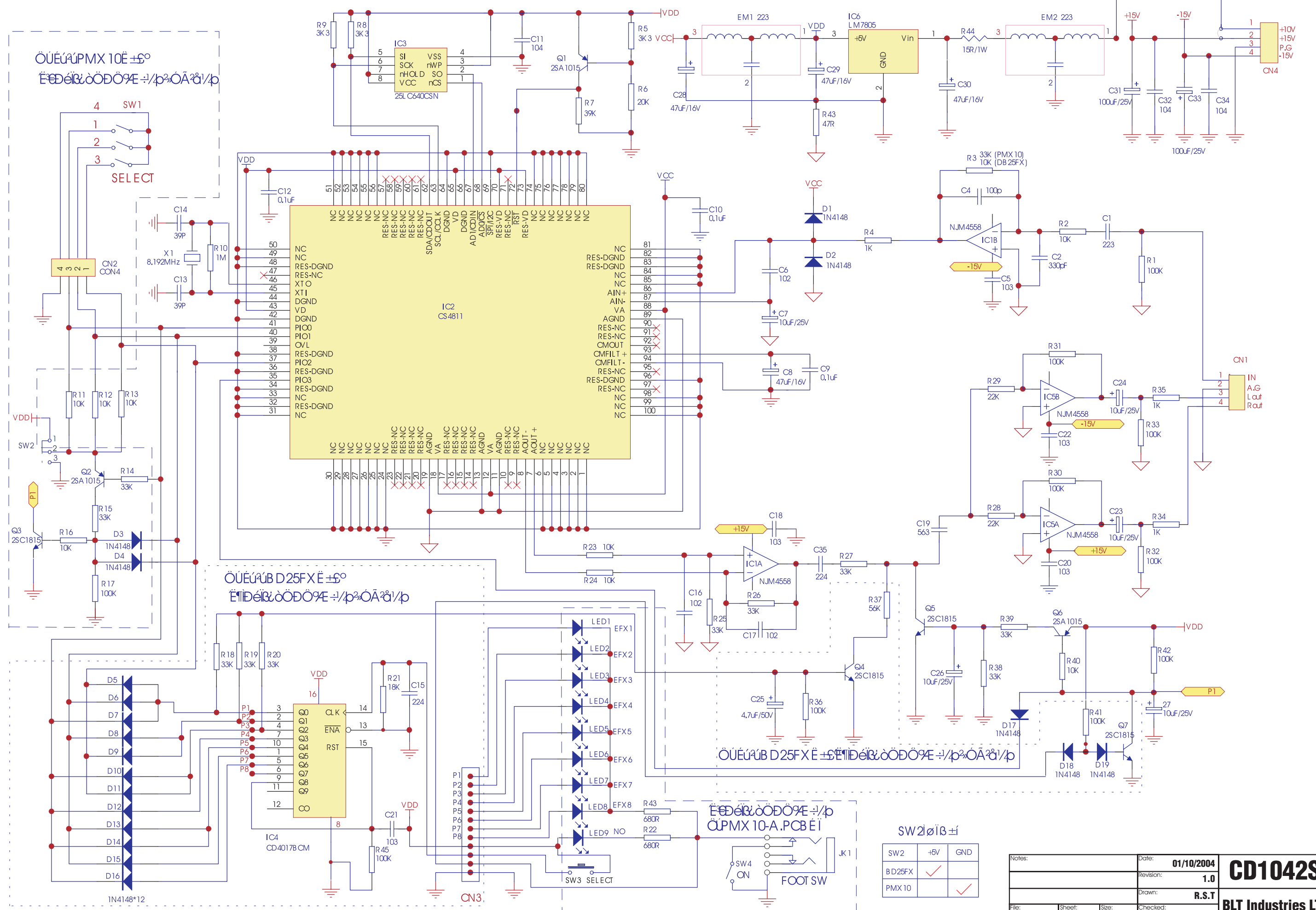


- EFX1: L, HdI
- EFX2: M, Room
- EFX3: L, Room
- EFX4: V, Room1
- EFX5: V, Room2
- EFX6: Char, +REV.
- EFX7: Char, +Del.
- EFX8: Std/wall

Notes:	Date:	01/10/2004	<b>CD1042S</b>
	Revision:	1.0	
	Drawn:	R.S.T	<b>BLT Industries LTD</b>
File:	Sheet:	1/3	
CD1042S.PDF	Size:	A3	Checked:



Notes:	Date:	01/10/2004	<b>CD1042S</b>
	Revision:	1.0	
	Drawn:	R.S.T	<b>BLT Industries LTD</b>
File:	Sheet:	Size:	
CD1042S.PDF	2/3	A3	



ΌΕύΑΡΜΧ 10Ε ±Φ  
 ΕΐΔε&οδδ09Ε -:/p30Α21/p

ΌΕύΑΒ D25FX Ε ±Φ  
 ΕΐΔε&οδδ09Ε -:/p30Α21/p

ΌΕύΑΒ D25FX Ε ±Φ  
 ΕΐΔε&οδδ09Ε -:/p30Α21/p

ΌΜΧ 10-Α.ΡΒΕ ΐ  
 ΕΐΔε&οδδ09Ε -:/p30Α21/p

SW2 οΐΒ ±ΐ

SW2	+6V	GND
B D25FX	✓	
PMX 10		✓

Notes:	Date:	01/10/2004	<b>CD1042S</b>
	Revision:	1.0	
	Drawn:	R.S.T	<b>BLT Industries LTD</b>
File:	Sheet:	3/3	
CD1042S.PDF	Size:	A3	Checked: