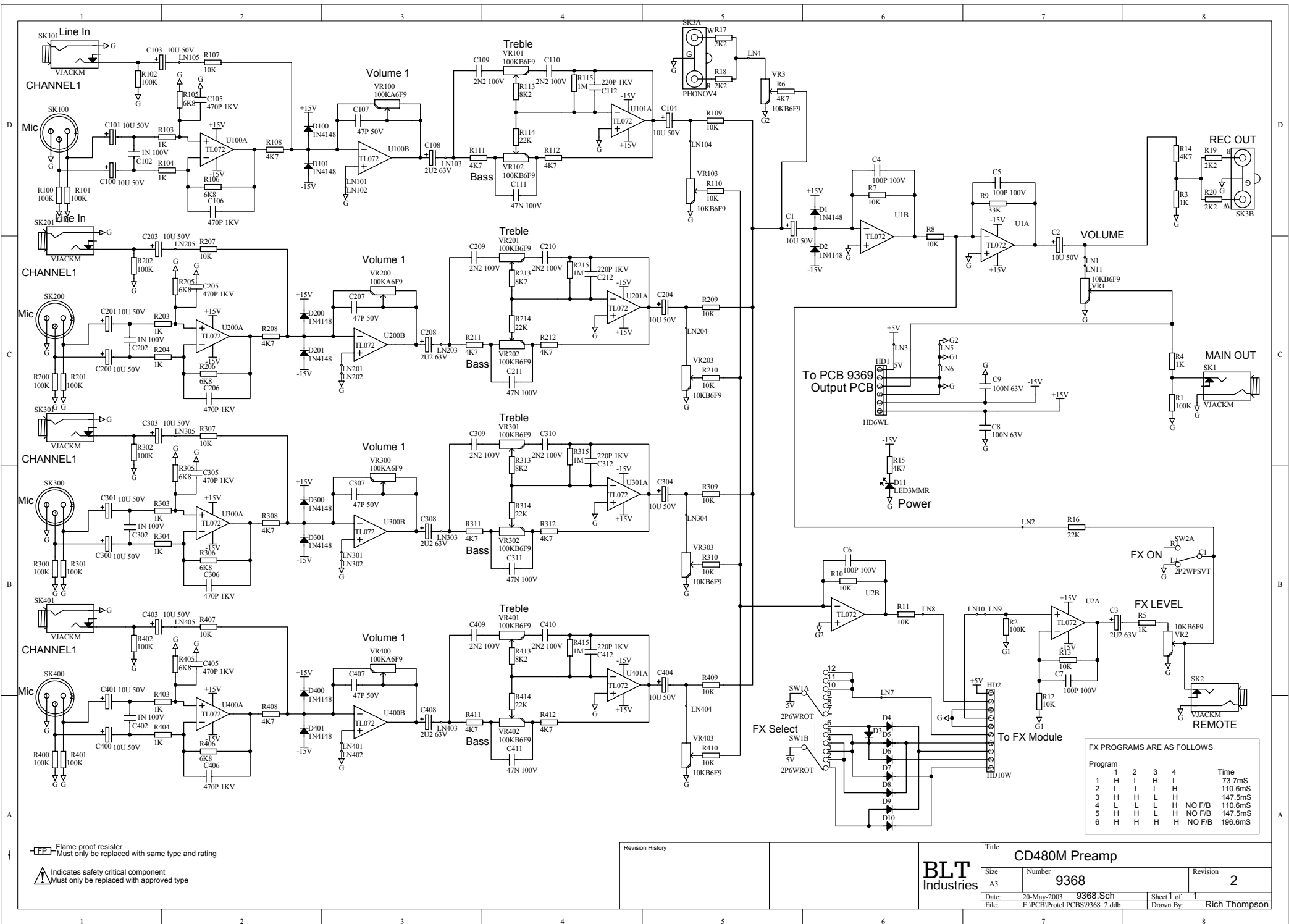


CD480M

Service Information

Laney
Classic British Amplification

Newlyn Road, Cradley Heath, West Midlands. B64 6BE
www.laney.co.uk



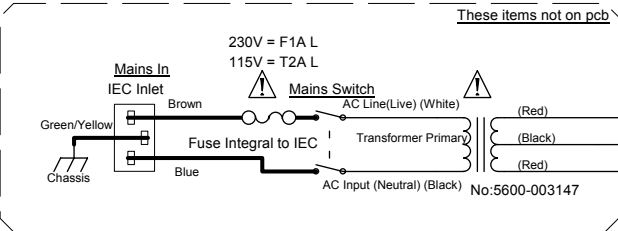
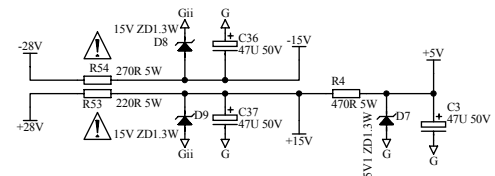
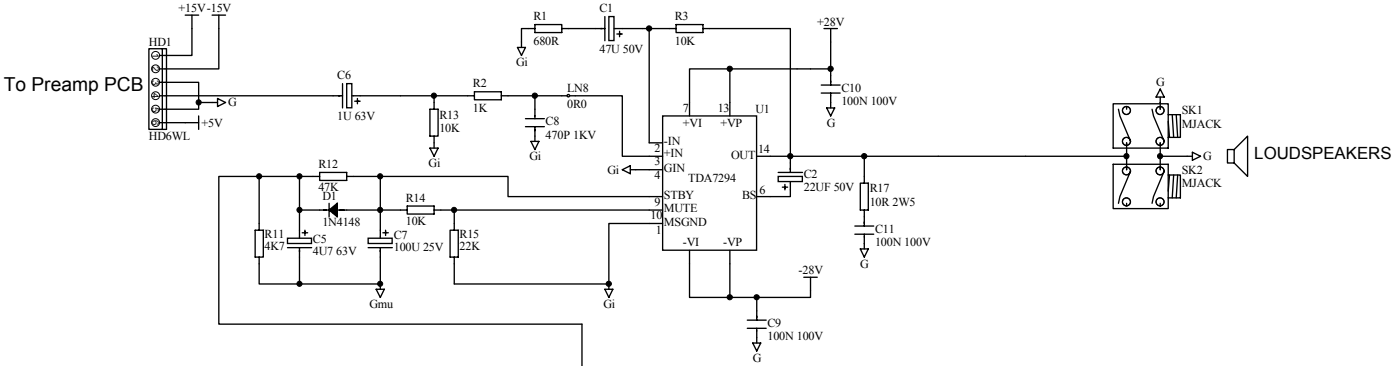
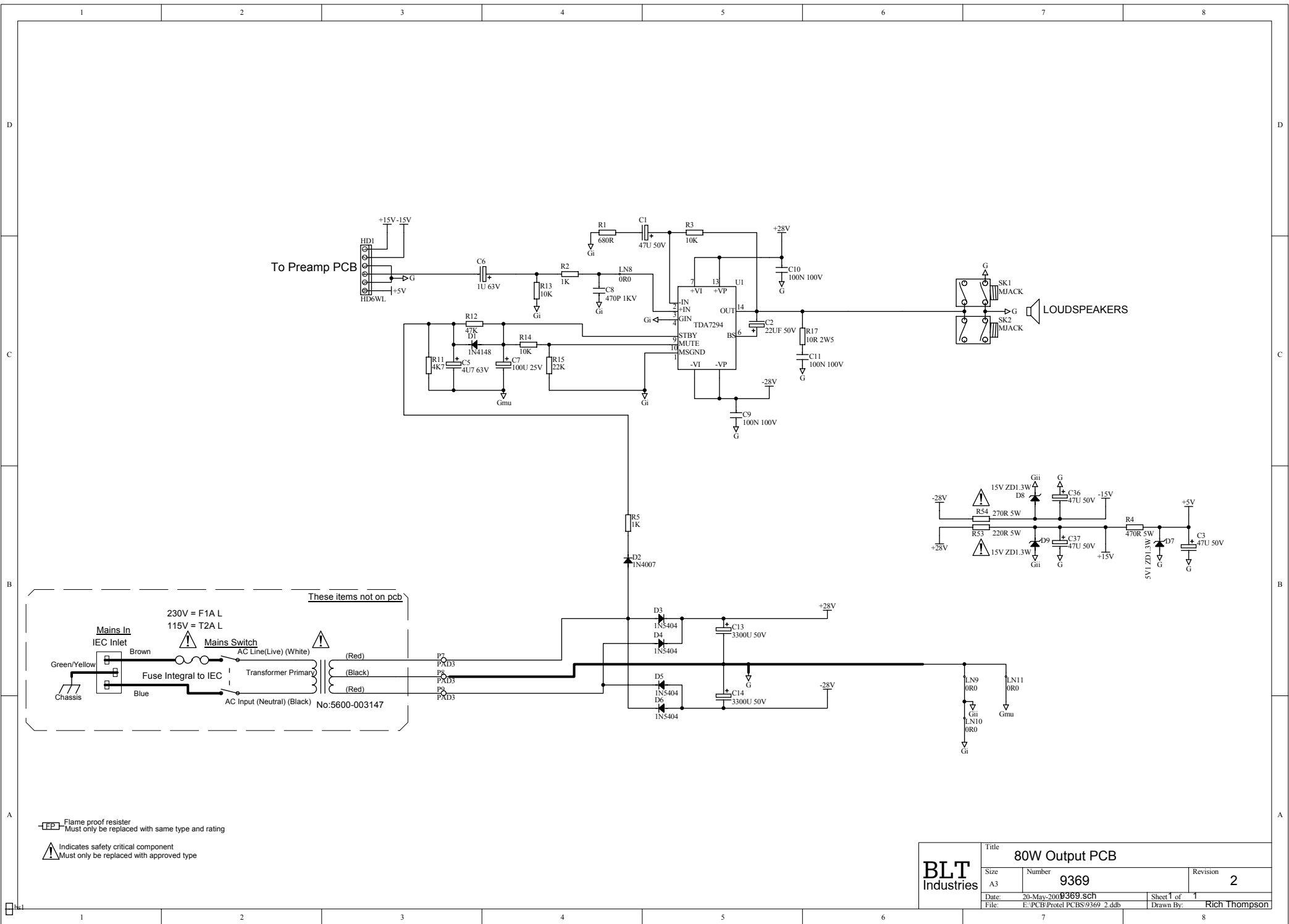
Flame proof resistor
Must only be replaced with same type and rating

Indicates safety critical component
Must only be replaced with approved type

Revision	History

Title		CD480M Preamp	
Size	Number	Revision	
A3	9368	2	
Date	20-May-2003	9368.Sch	Sheet 1 of 1
File	E:\PCB\Protel\PCBS\9368_2.dcb	Drawn By:	Rich Thompson

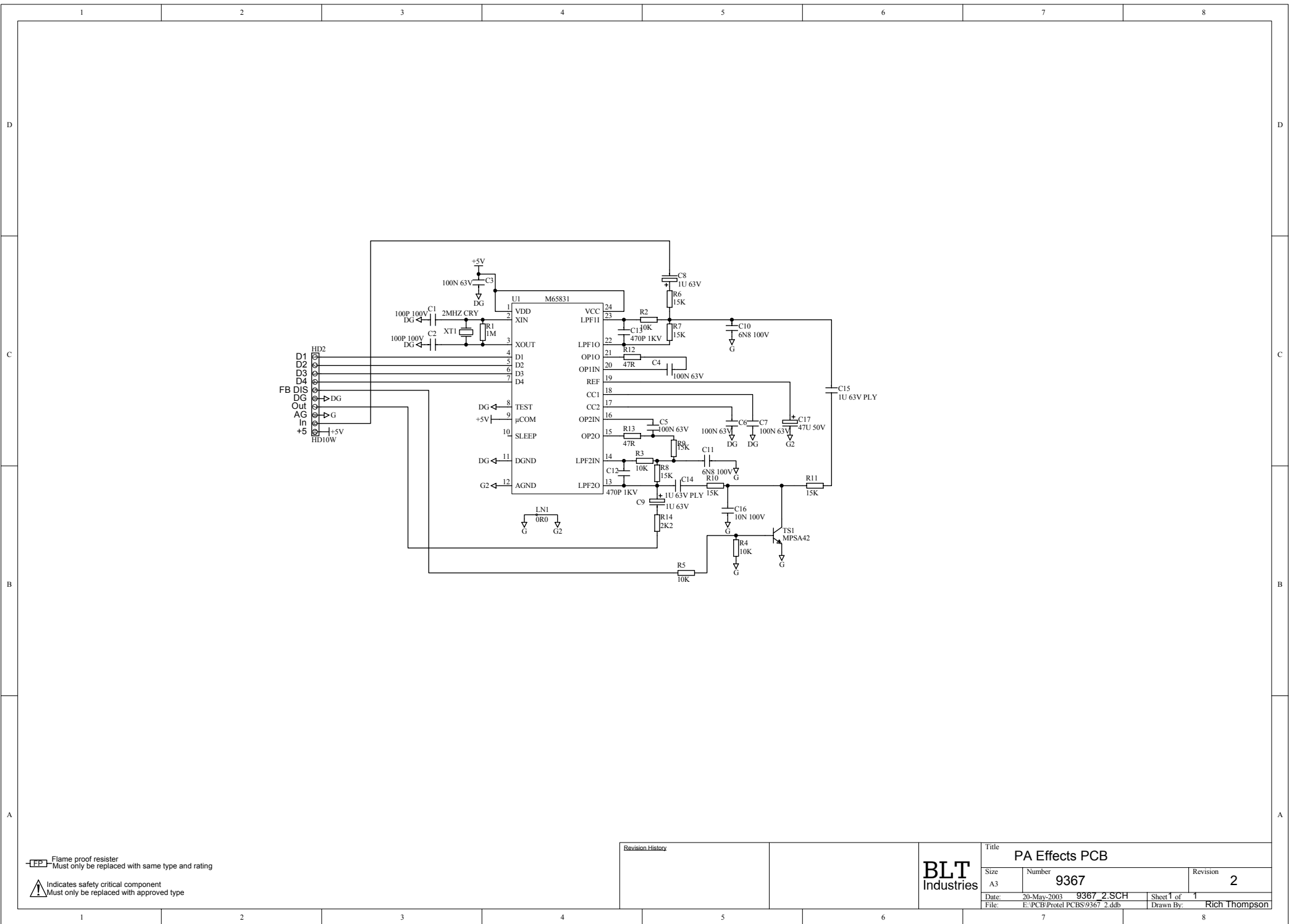
FX PROGRAMS ARE AS FOLLOWS					
Program	1	2	3	4	Time
1	H	L	H	L	73.7mS
2	L	L	H	H	110.6mS
3	H	H	L	H	147.5mS
4	L	L	L	H	NO F/B 110.6mS
5	H	H	L	H	NO F/B 147.5mS
6	H	H	H	H	NO F/B 196.6mS



Flame proof resistor
 Must only be replaced with same type and rating
 Indicates safety critical component
 Must only be replaced with approved type

Title		80W Output PCB	
Size	Number	Revision	
A3	9369	2	
Date	20-May-2009 9369.sch		Sheet 1 of 1
File	E:\PCB\Protel PCBs\9369_2.ddb		Drawn By: Rich Thompson

BLT Industries



Flame proof resistor
Must only be replaced with same type and rating

Indicates safety critical component
Must only be replaced with approved type

Revision History	

Title		PA Effects PCB	
Size	Number	Revision	
A3	9367	2	
Date:	20-May-2003	9367 2.SCH	Sheet 1 of 1
File:	E:\PCB\Protel PCBs\9367 2.ddb	Drawn By:	Rich Thompson

