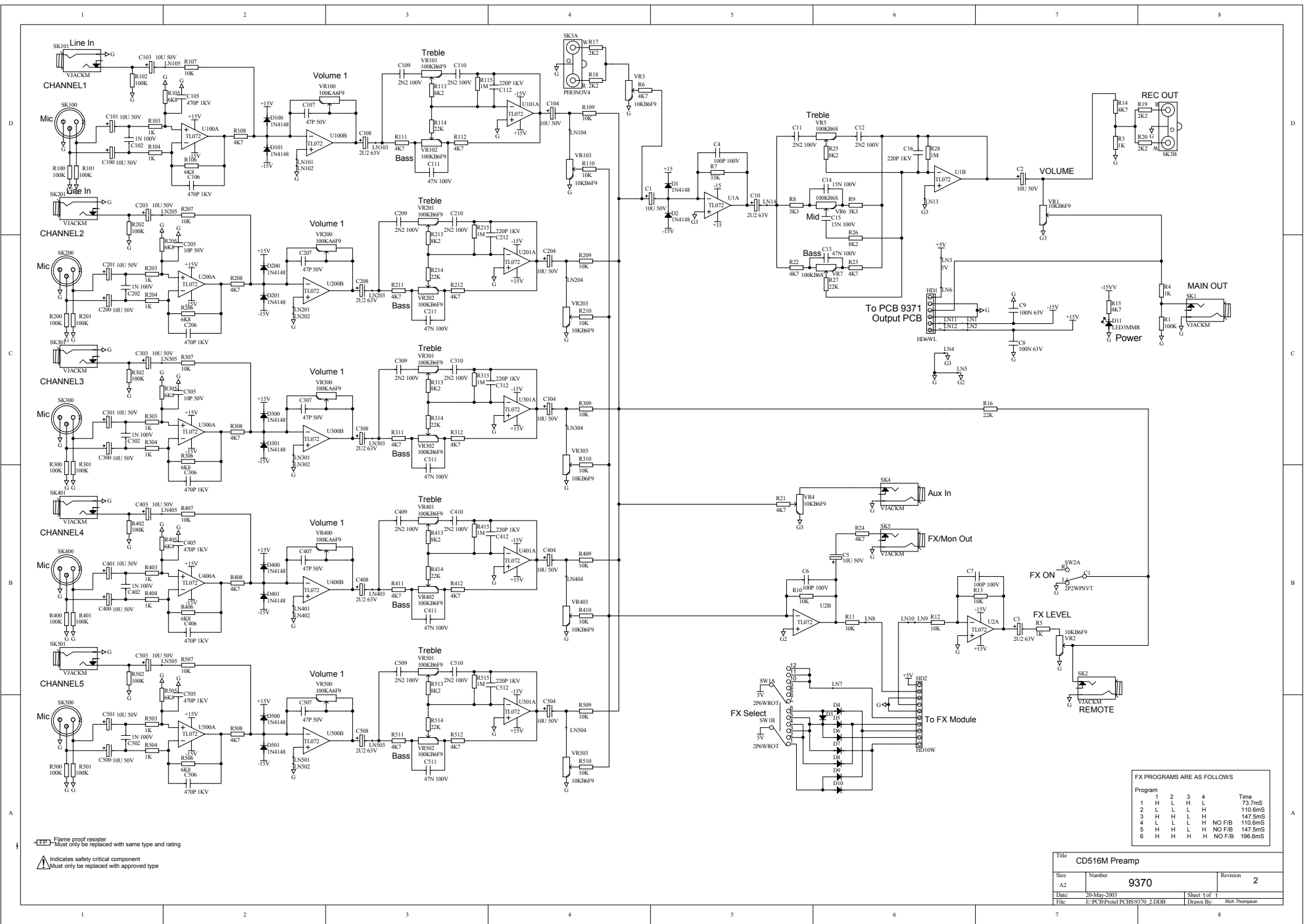


# **CD516M**

## ***Service Information***

**Laney**  
*Classic British Amplification*

**Newlyn Road, Cradley Heath, West Midlands. B64 6BE**  
**[www.laney.co.uk](http://www.laney.co.uk)**

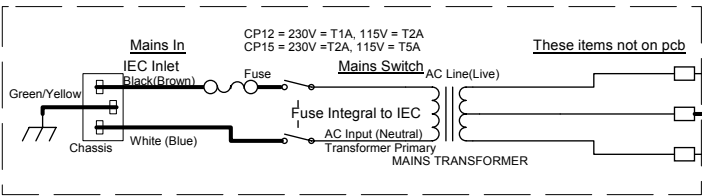
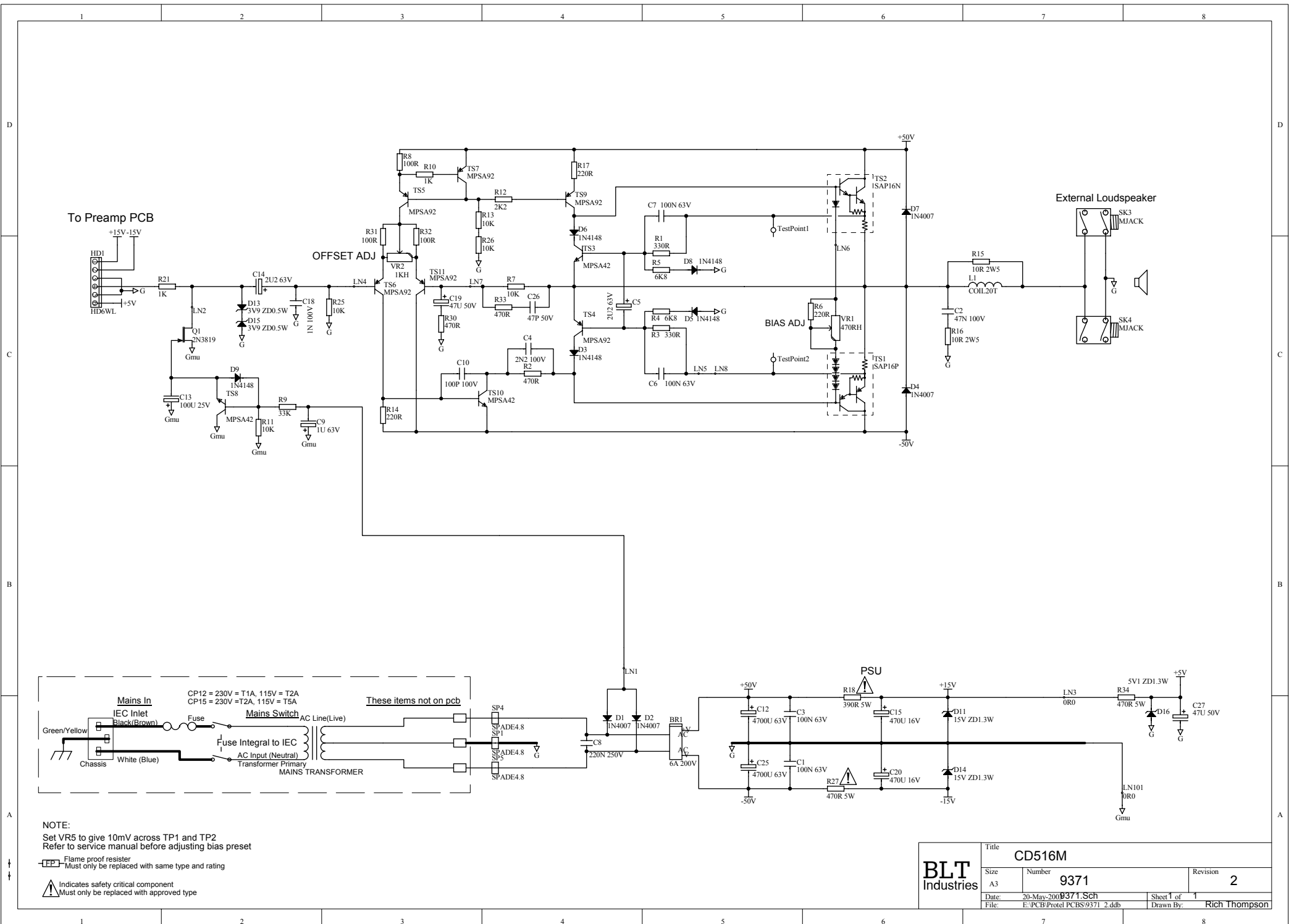


Flame proof resistor  
 Must only be replaced with same type and rating  
 Indicates safety critical component  
 Must only be replaced with approved type

FX PROGRAMS ARE AS FOLLOWS

Program	1	2	3	4	Time
1	H	L	H	L	73.7mS
2	L	L	L	H	110.6mS
3	H	H	L	H	147.5mS
4	L	L	L	H	NO F/B
5	H	L	L	H	NO F/B
6	H	H	H	H	NO F/B

Title		CD516M Preamp	
Size	Number	Revision	
A2	9370	2	
Date:	30-Mar-2003	Sheet 1 of 1	
File:	E:\PCB\Protel\PCBS\9370 2.DDB	Drawn By:	Rish Thompson

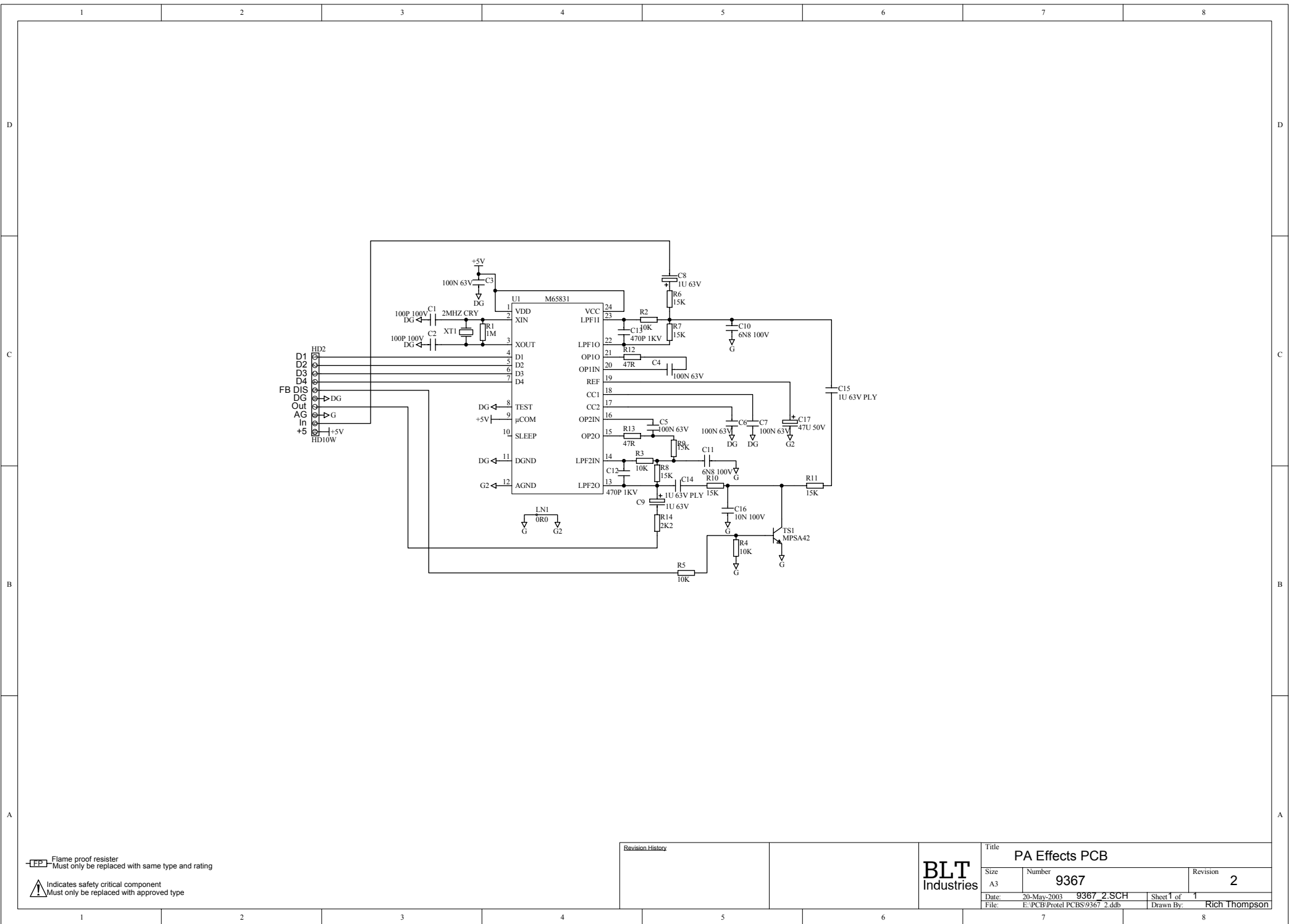


NOTE:  
 Set VR5 to give 10mV across TP1 and TP2  
 Refer to service manual before adjusting bias preset

Flame proof resistor  
 Must only be replaced with same type and rating

Indicates safety critical component  
 Must only be replaced with approved type

Title		CD516M	
Size	Number	Revision	
A3	9371		2
Date:	20-May-2009	Sheet 1 of 1	
File:	E:\PCB\Protel\PCBS\9371_2.ddb	Drawn By:	Rich Thompson



**FFP** - Flame proof resistor  
Must only be replaced with same type and rating

**!** Indicates safety critical component  
Must only be replaced with approved type

Revision History	

Title		PA Effects PCB	
Size	Number	Revision	
A3	9367	2	
Date:	20-May-2003	9367 2.SCH	Sheet 1 of 1
File:	E:\PCB\Protel PCBs\9367 2.ddb	Drawn By:	Rich Thompson

