

22/6/2000

Laney



CK30 Keyboard Amplifier Service Information

**A new Concept
for a new millennium**

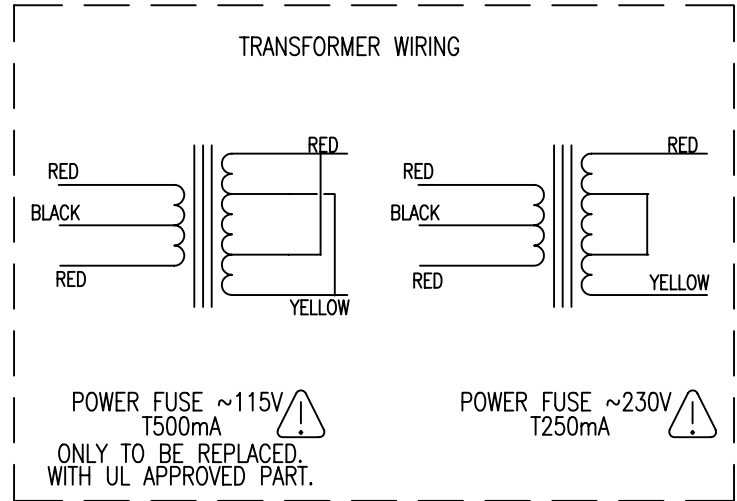
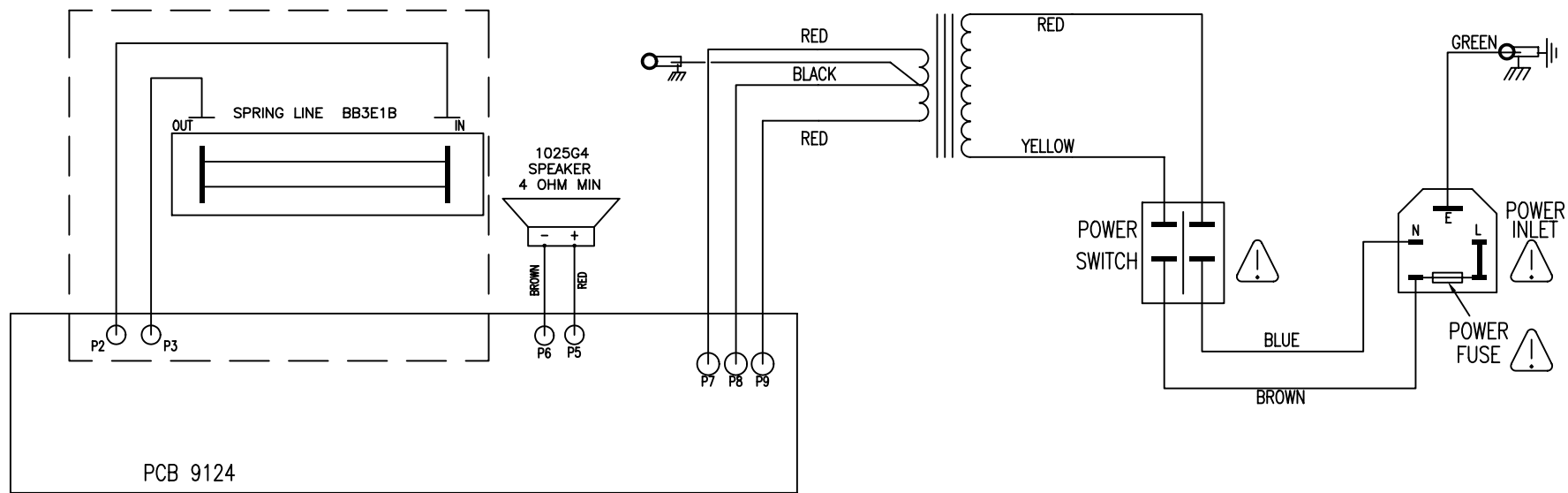
Concept

Laney

Project
Connect
Component

Contents

- 1.DWG 3100 Service Diagram**
- 2.DWG 2844 Schematic Diagram**
- 3.DWG 9124 Preamp Diagram (Issue 2)**
- 4.DWG 9324 Preamp Diagram (Issue 3)**
- 5.Assembly List**
- 6Assembly List**
- 7Assembly List**
- 8.Contact**



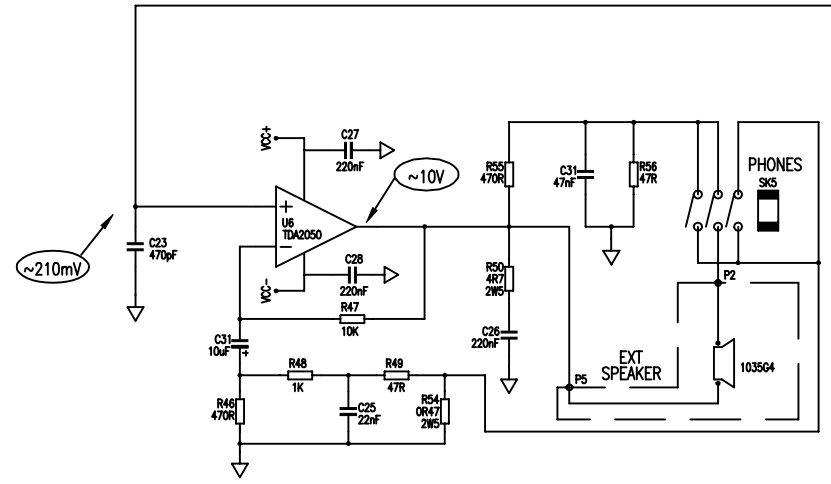
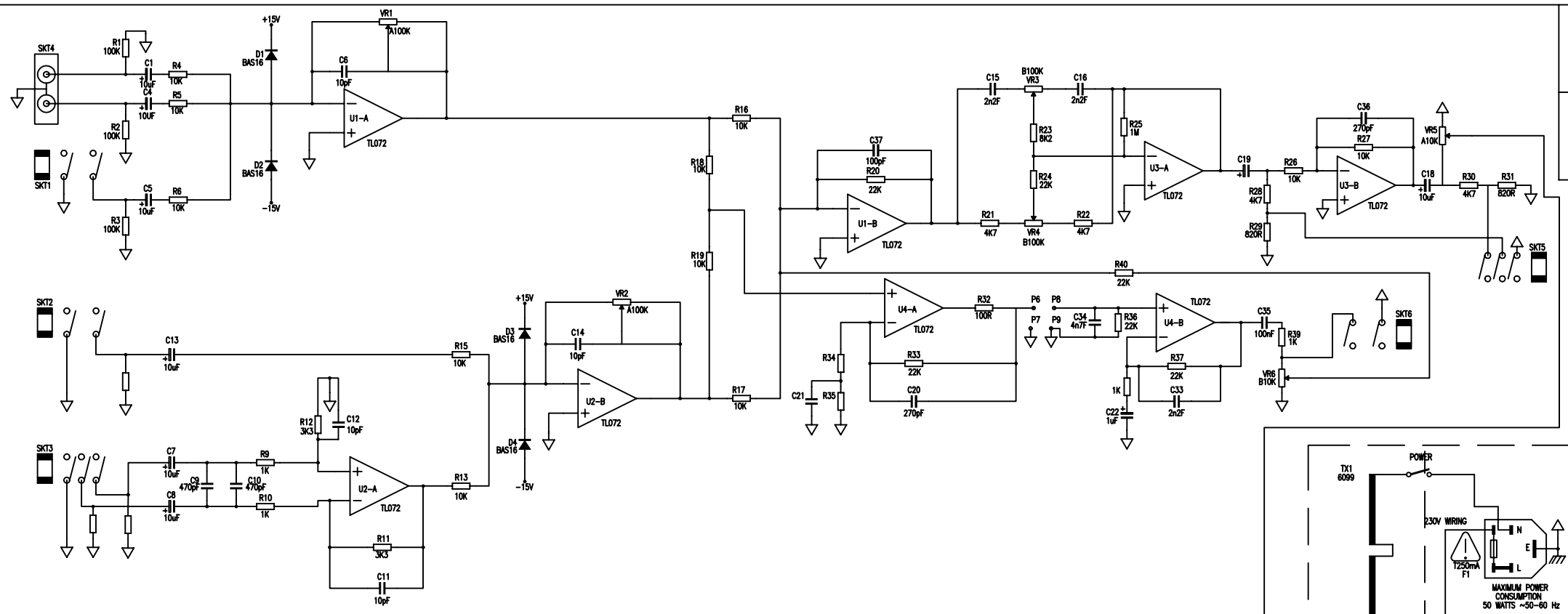
⚠ INDICATES SAFETY CRITICAL COMPONENT. MUST ONLY BE REPLACED WITH APPROVED TYPE.

ISSUE	DESCRIPTION	APPD.	DATE

BLT
Industries Ltd.

TITLE
CK30 SERVICE
DIAGRAM
PART No

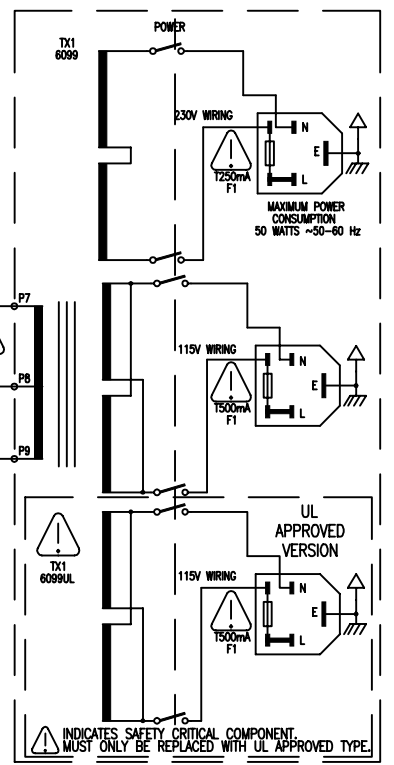
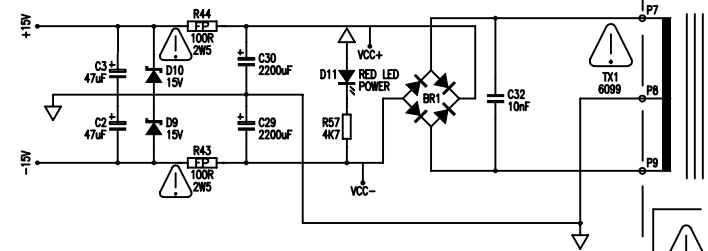
DRAWN	TRACED	CHECKED	APPROVED	DATE
S.L.				11/04/00
DRAWING No.		3100		



PCB 9124_3

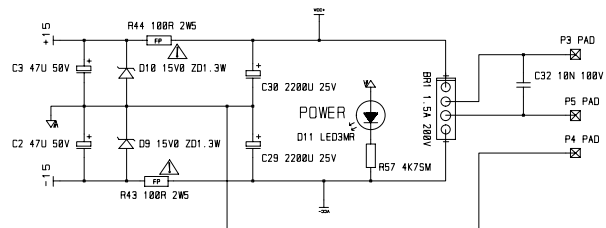
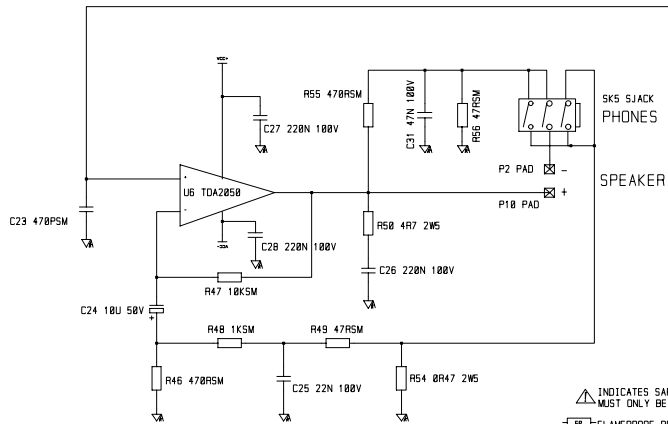
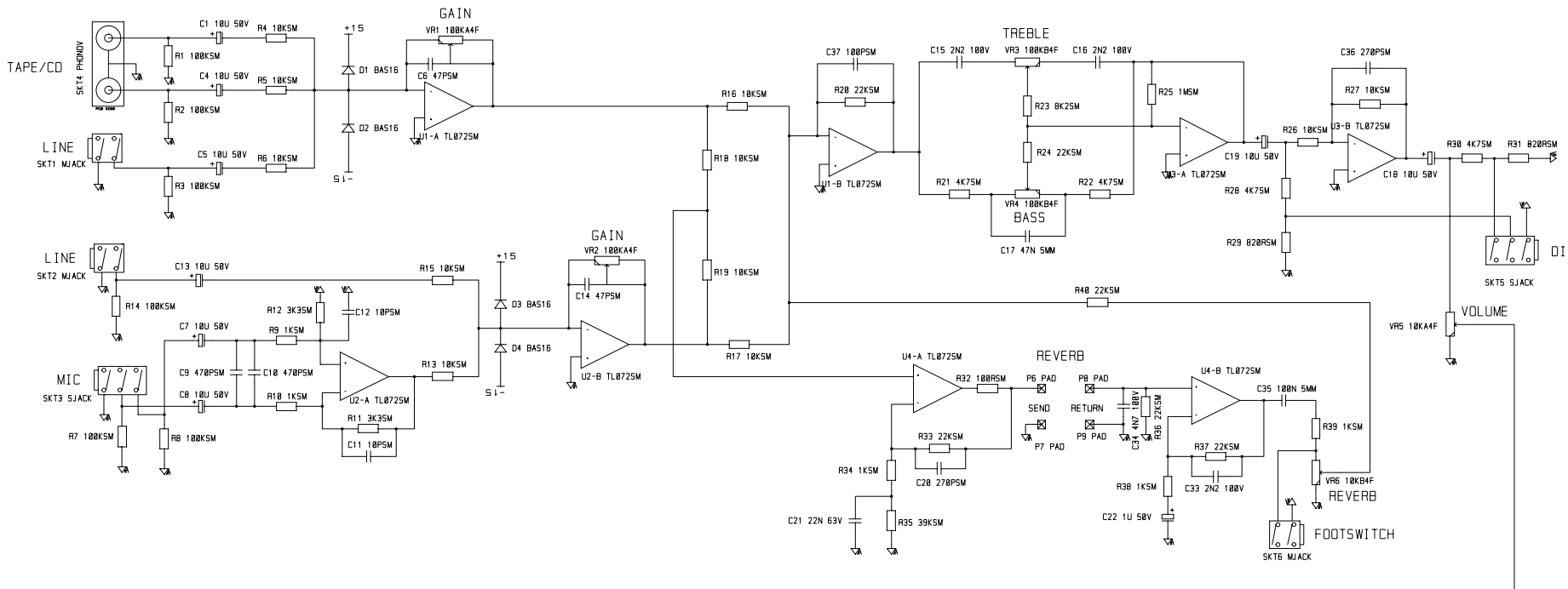
⎓ - FLAMEPROOF RESISTOR. MUST BE REPLACED WITH SAME TYPE AND RATING.



⚠ INDICATES SAFETY CRITICAL COMPONENT. MUST ONLY BE REPLACED WITH APPROVED TYPE.



ISSUE	DESCRIPTION	APPD.	DATE	TITLE	DRAWN	TRACED	CHECKED	APPROVED	DATE
				KC25/CK30 SCHEMATIC PART No	S.L.				20/06/00
					DRAWING No.		2844		

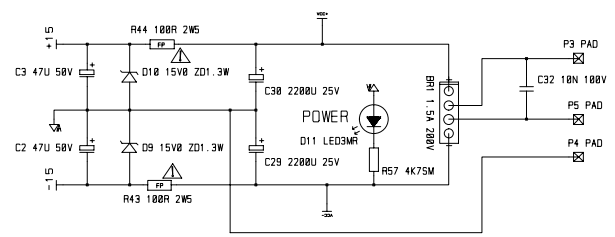
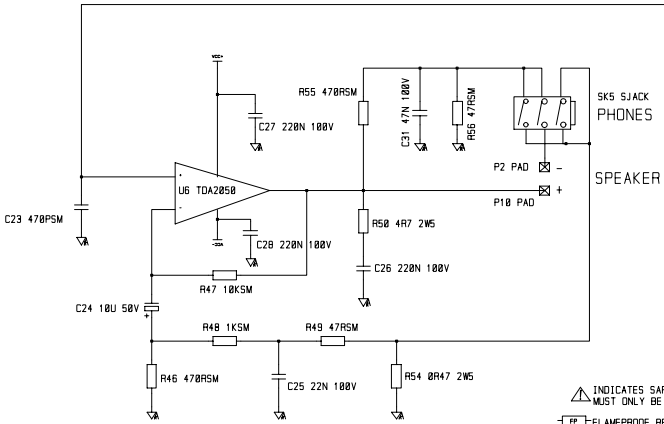
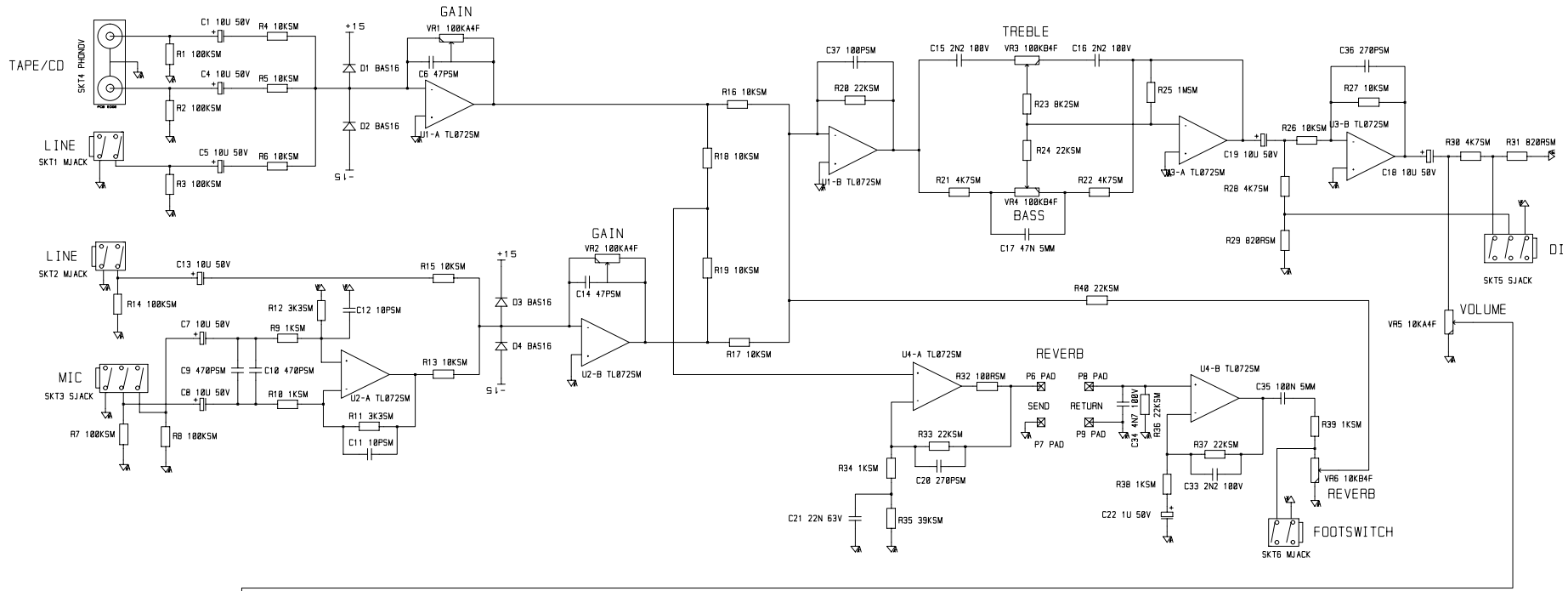
BLT
Industries Ltd.



 INDICATES SAFETY CRITICAL COMPONENT. MUST ONLY BE REPLACED WITH APPROVED TYPE.
 FLAMEPROOF RESISTOR. MUST ONLY BE REPLACED WITH SAME TYPE AND RATING.

DRAWN	DEH
DATE	07/04/97
TITLE	30 Watt Keyboard
DRW. NO.	9124_2

ISSUE	ISSUE 2						
TYPE	C6, C14 FROM 10PF >47PF SEE CHANGE NOTE 267						



⚠ INDICATES SAFETY CRITICAL COMPONENT. MUST ONLY BE REPLACED WITH APPROVED TYPE.
 [FP] FLAMEPROOF RESISTOR. MUST ONLY BE REPLACED WITH SAME TYPE AND RATING.

DRAWN	RST
DATE	18/04/00
TITLE	CK30/KC25
DRW. NO.	9124_3

ISSUE	ISSUE 2	ISSUE 3			
	C6, C14 FROM 10PF >47PF SEE CHANGE NOTE 267	LAYOUT CHANGE			
TYPE					

Assembly List For (CK30E) CK30 EURO

22/06/00

Stock Code	Stock Item	Qty Req
10702 Y	SPECIAL MAINS LEAD	1
10925 Y	KC USER MANUAL	1
80000 Y	CK30 EURO	1
80001 Y	CK30 CABINET	1

Assembly List For (80000) CK30 EURO

22/06/00

Stock Code	Stock Item	Qty Req
5005 Y	NEW TYPE MAINS SOCKET	1
5069 Y	KNOB 4MM BLACK/RED	3
5070 Y	KNOB 4MM BLACK/BLUE	3
5511 Y	5MM SOLDER TAG	2
5528 Y	20mm T250ma FUSE	1
5558 Y	100mm TIE WRAP	3
5618 Y	SHORTY BUSH 19MM	1
6099 Y	HC25 TRANSFORMER	1
8320 Y	25/30W REAR LABEL	1
9161 Y	4mm INT. SHAKEPROOF	7
9171 Y	M5 INT SHAKEPROOF	2
9173 Y	5*12mm PAN POZI	1
9181 Y	5mm BRASS HEX NUT	1
9187 Y	NO. 8 SPIRE FASTENER	4
9204 Y	NO 4*1/4 PLASTITE	1
9208 Y	4BA NUTS BZP	4
9229 Y	8*3/8 FH POZI	2
10010 Y	2 SPRING MEDIUM	1
530027 Y	DPST EQ MAINS SWITCH	1
540038 Y	EARTH WARNING LABEL	1
582007 Y	4*10mm SMALL F/H	1
588006 Y	POP RIVET (BLACK)	5
592008 Y	10mm * 0.5mm BLACK	1
80002 Y	CK30 PCB ASSY	1
8P-3078 N	CK30 CHASSIS DWG1892	1
8P-3082 N	CK30 FACIA DWG 1896	1

Assembly List For (80002) CK30 PCB ASSY

22/06/00

Stock Code	Stock Item	Qty Req
=====	=====	=====
1300 Y	ORO SHORTING LINK	15
1302 Y	47R 5% RESISTOR	2
1303 Y	100R 5% RESISTOR	1
1304 Y	820R 5% RESISTOR	2
1306 Y	10K 5% RESISTOR	12
1309 Y	1M 5% RESISTOR	1
1310 Y	100K 5% RESISTOR	6
1311 Y	470R 5% RESISTOR	2
1312 Y	4K7 5% RESISTOR	5
1314 Y	8K2 5% RESISTOR	1
1316 Y	22K 5% RESISTOR	6
1317 Y	39K 5% RESISTOR	1
1326 Y	3K3 5% RESISTOR	2
1327 Y	1K 5% RESISTOR	6
1502 Y	4R7 2.5W RESISTOR	1
1504 Y	100R 2.5W RESISTOR	2
1505 Y	R47 4W WIRE WOUND	1
1920 Y	ZERO OHM RESISTOR	5
2003 Y	2200UF 25V RADIAL	2
2004 Y	47UF 50V RADIAL	2
2013 Y	10UF 50V CAPACITOR	9
2025 Y	1UF 63V RADIAL	1
2200 Y	220NF 100V 10MM	3
2403 Y	47NF 250V 10MM	1
2404 Y	10NF 400V 10MM	1
2414 Y	1NF 100V 5mm	1
2415 Y	2.2NF 100V 5mm	3
2417 Y	4.7NF 100V 5mm	1
2419 Y	100NF 63V 5mm	1
2420 Y	22NF 100V 5mm	1
2425 Y	47NF 100V 5mm	1
2601 Y	10PF 50V 10% COG	2
2602 Y	47PF 50V 10% COG	2
2603 Y	100PF 50V 10% COG	1
2604 Y	270PF 50V 10% COG	2
2605 Y	470PF 50V 10% COG	3
3014 Y	15V 1.3W ZENER	2
3017 Y	1.5A 200V BRIDGE	1
3033 Y	3mm LED RED	1
3403 Y	TDA2050V AUDIO AMP	1
3500 Y	BAS16 TRANSISTOR	4
3508 Y	34072 IC (SMD TL072)	4
4082 Y	4mm 10K LIN POT	1
4083 Y	4mm 100K LIN POT	2
4084 Y	4mm 10K LOG POT	1
4095 Y	4mm 100K LOG POT	2
5002 Y	MONO JACK SOCKET	3
5003 Y	STEREO JACK SOCKET	3
5014 Y	TO220 WASHER	1
005014A Y	TO220 BUSH	1
5038 Y	1/4" SPADE TERMINAL	2
5058 Y	STEREO PHONO SOCKET	1
5066 Y	2 WAY LOCKING HEADER	2
9124 Y	KC25 PCB	1

Assembly List For (80002) CK30 PCB ASSY

22/06/00

Stock Code	Stock Item	Qty Req
9150 Y	3mm HEX NUT	1
9151 Y	3mm INT SHAKEPROOF	1
9228 Y	3*12 ZINC PAN POZI	1
588006 Y	POP RIVET (BLACK)	2
8P-8535 Y	HC25 HEATSINK	1

Assembly List For (80001) CK30 CABINET

22/06/00

Stock Code	Stock Item	Qty Req
=====	=====	=====
10039 Y	PENN CORNER C1839K	8
10055 Y	PLASTIC CABINET FOOT	4
10057 Y	SMALL LANEY BADGE	1
10100 Y	STRAP HANDLE	1
10200 Y	M5 x 10mm TEENUT	6
10202 Y	5mm X 25mm CSK POZI	2
10206 Y	6*5/8 FLANGE POZI AB	4
10211 Y	SPEAKER BOLT	4
10224 Y	35mm FINISHED NAILS	30
10233 Y	M5*30 FLANGE POZI BK	4
10234 Y	No 8 X 3/4 CSK POZI	16
10240 Y	10 * 1 CSK POZI	4
10243 Y	NO4*1/2 TYPE B CSK	2
10244 Y	FLAT SPIRE CLIP	2
10248 Y	NO10 * 1 1/4" FLANGE	6
10301 Y	18mm CHIPBOARD	0
10326 Y	BLACK CARPET	0
10433 Y	HCM30B CARTON	1
10434 Y	HCM30B FITTING	1
10600 Y	32/18 STAPLES	12
10621 Y	POLY. BAG 30(0) X 36	1
10629 Y	MASKING TAPE 1.5"	2
10980 Y	GLUE/PAINT COST .75	1
41008 Y	INVADER 1025G4	1
8G-KC25 Y	FRONT GRILL KC25	1

Concept

Laney

**Newlyn Road
Cradley Heath
West Midlands
B64 6BE
U.K.**

<http://www.laney.co.uk>