

22/6/2000

Laney



CK300 Keyboard Amplifier Service Information

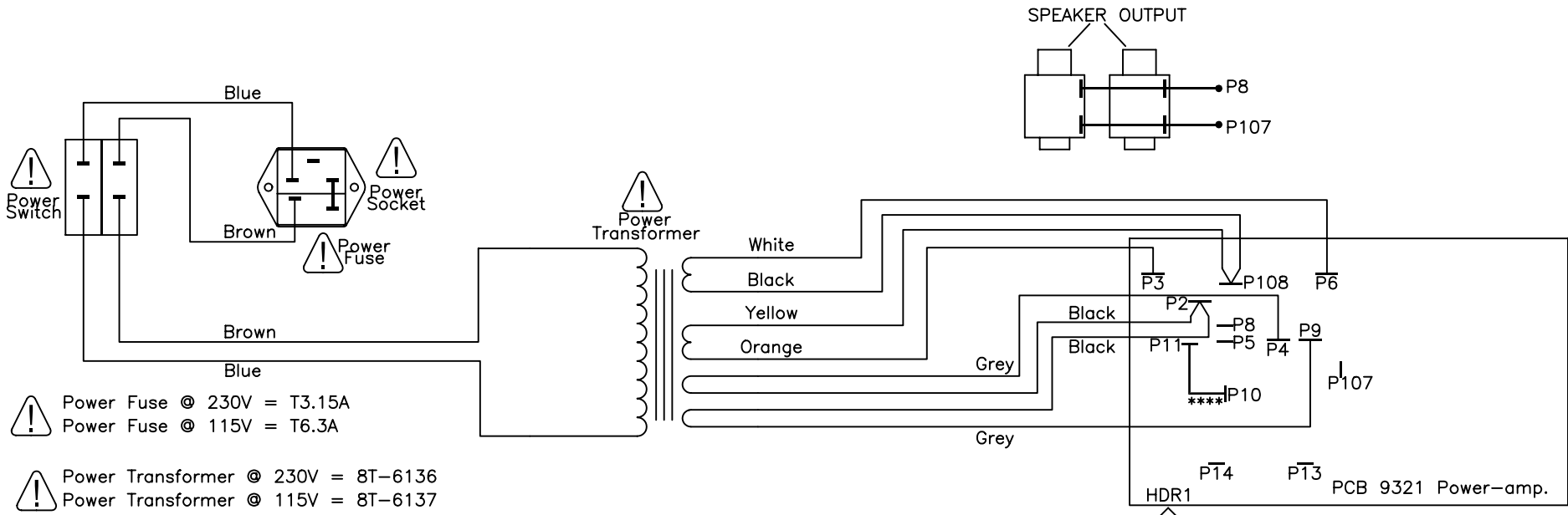
**A new Concept
for a new millennium**

Concept

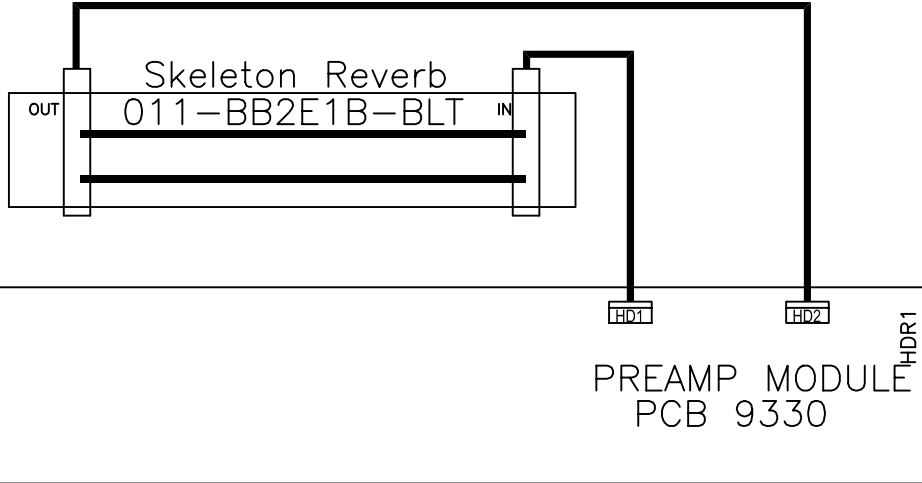
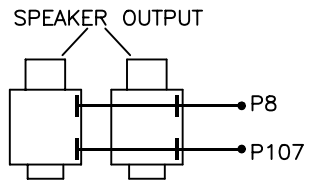
Laney

Contents

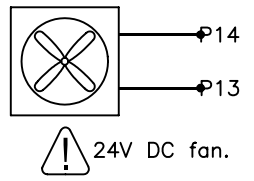
- 1.DWG 2615 Mains Wiring**
- 2.DWG 3103 Schematic Diagram**
- 3.DWG 9330 Preamp Diagram (Issue 1)**
- 4.DWG 9321 Output Diagram (Issue 2)**
- 5.Assembly List**
- 6.Assembly List**
- 7.Assembly List**
- 8.Contact**



- ⚠ Power Fuse @ 230V = T3.15A
 - ⚠ Power Fuse @ 115V = T6.3A
 - ⚠ Power Transformer @ 230V = 8T-6136
 - ⚠ Power Transformer @ 115V = 8T-6137
- ref drawing 2615 for mains wiring info.



**** Option for Thermal Trip.



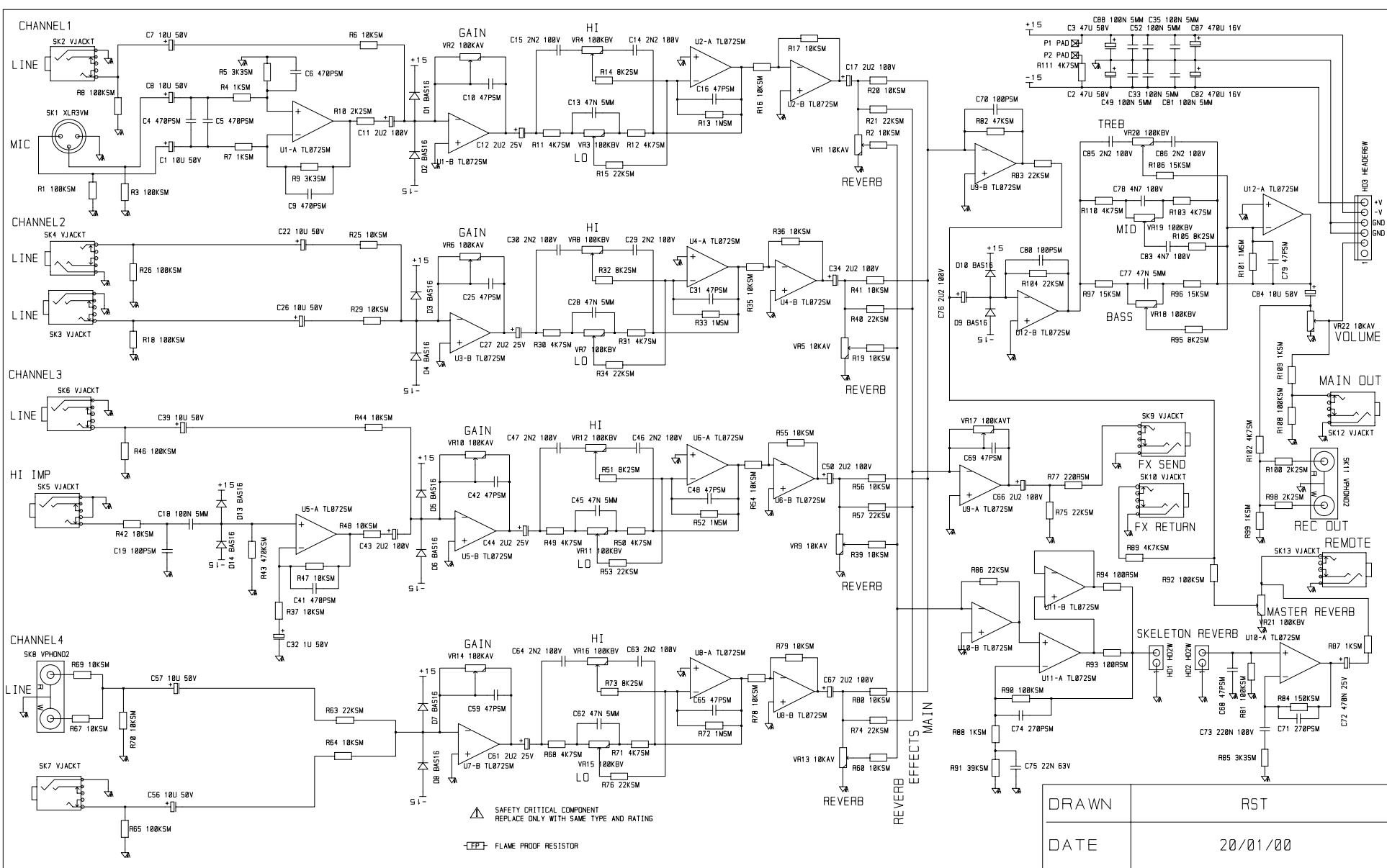
⚠ =ONLY REPLACE WITH SAME TYPE AND RATING

ISSUE	DESCRIPTION	APPD.	DATE

BLT
Industries Ltd.

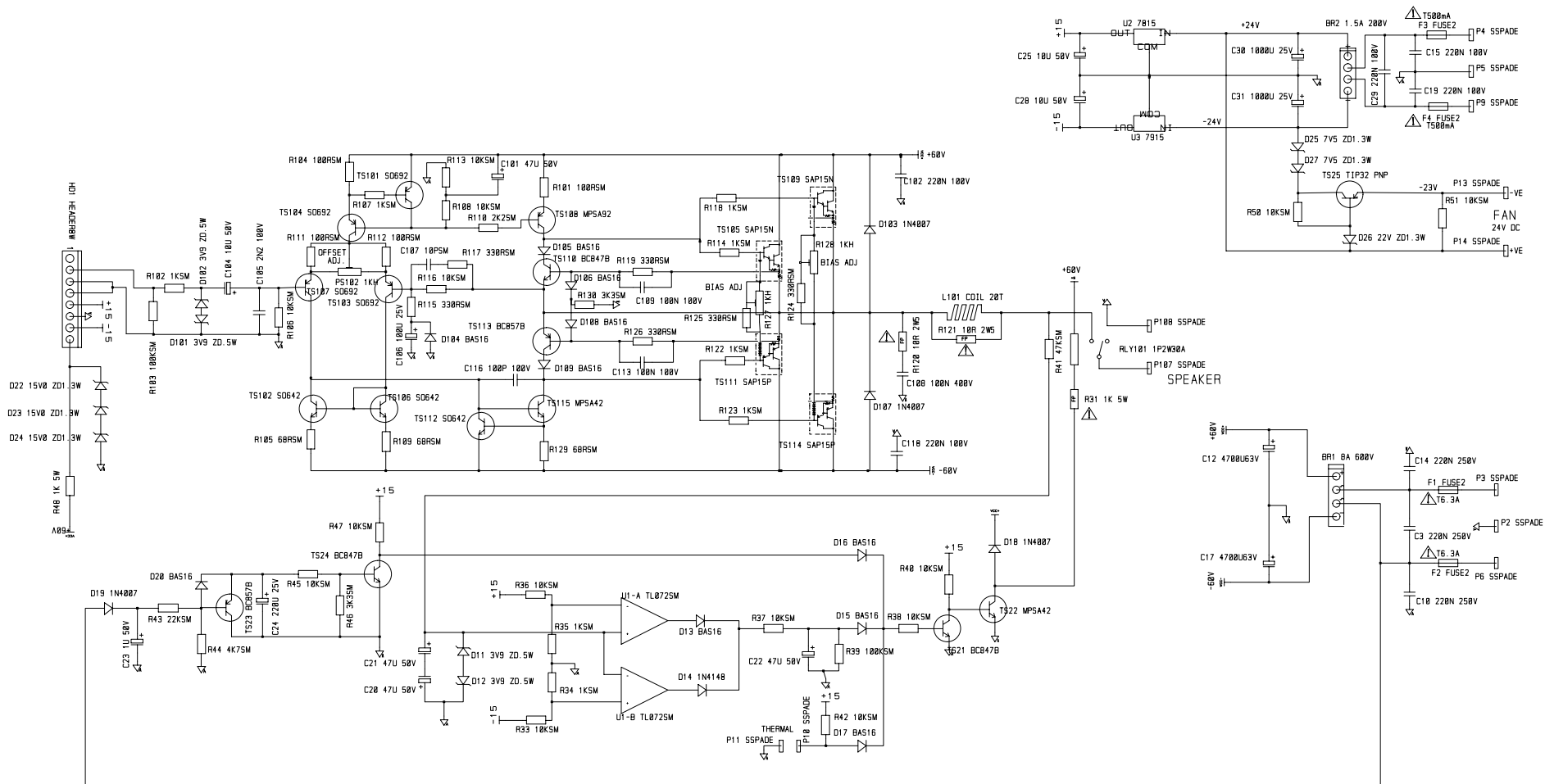
TITLE
CK300 Service Information
PART No

DRAWN	TRACED	CHECKED	APPROVED	DATE
S.L.				12/04/00
DRAWING No.		3103		

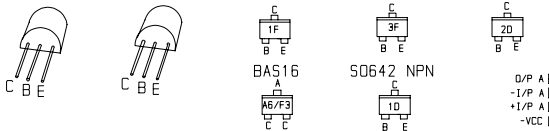


ISSUE							
TYPE							

DRAWN	RST
DATE	20/01/00
TITLE	CK300 PREAMP
DRW. NO.	9330_1



MPSA92 PNP MPSA42 NPN BC847B NPN BC857B PNP S0692 PNP



INDICATES SAFETY CRITICAL COMPONENTS.
 △ MUST ONLY BE REPLACED WITH APPROVED COMPONENT.
 □ FLAMEPROOF RESISTOR. MUST ONLY BE REPLACED WITH SAME TYPE AND RATING.

DRAWN	DEH
DATE	22/11/99
TITLE	CD630 OUTPUT MODULE
DRW. NO.	9321_2

ISSUE	2 19/10/99	2 22/11/99			
TYPE	LAYOUT	R124/R125 FROM 220R > 330R REFER CHANGE NOTE 271			

Assembly List For (CK300E) CK300E EURO

Date > 22/06/00

Stock Code	Stock Item	Qty Req
10702 Y	SPECIAL MAINS LEAD	1
10925 Y	KC USER MANUAL	1
80010 Y	CK300 EURO	1
80011 Y	CK300 CABINET	1

Assembly List For (80010) CK300 EURO

Date > 22/06/00

Stock Code Stock Item

Qty Req

Stock Code	Stock Item	Qty Req
5005 Y	NEW TYPE MAINS SOCKET	1
5511 Y	5MM SOLDER TAG	1
540021 Y	20mm T3.15A FUSE 1	
5542 Y	ROCKER SWITCH	1
5558 Y	100mm TIE WRAP	10
5658 Y	LONG BOARD SPACER	3
5666 Y	RED P402 KNOB	6
5667 Y	BLUE P402 KNOB	11
5668 Y	BEIGE P402 KNOB	5
6346 Y	9321/CD630 O/P	1
8701 Y	MXA100 SHORT LOOM	1
9171 Y	M5 INT SHAKEPROOF	2
9181 Y	5mm BRASS HEX NUT	1
9189 Y	5mm CAGE NUT	4
9200 Y	NO 6*3/8 FLANGE POZI	2
9204 Y	NO 4*1/4 PLASTITE	3
9217 Y	4mm NUTSERT	8
9234 Y	4*1/2" AB POZI	3
10004 Y	MONO JACK SOCKET	2
10010 Y	2 SPRING MEDIUM	1
540038 Y	EARTH WARNING LABEL	1
541004 Y	HC25/50 4.8 FASTON	9
541053 Y	1/4" LG RECEPTACLE	4
586004 Y	M8 * 70 CUP SQUARE	1
588006 Y	POP RIVET (BLACK)	2
5P-587003 Y	30mm WASHER	1
80008 Y	CK160 PRE PCB ASSY	1
8P-5051 N	CK300 FACIA	1
8P-5052 N	CK300 CHASSIS	1
8P-5053 N	CK300 REAR	1
8T-6136 Y	CD630 MAINS 230V	1
5308 Y	80*80*25MM FAN 24V	1
5555 Y	80mm METAL FAN GUARD	1
9201 Y	No8*3/8 PLASTITE	4
9187 Y	NO. 8 SPIRE FASTENER	10
8322 N	BLANKING LABEL	1
5670 N	SPACER	4
584000 Y	NO6*1/2 FLANGE POZI	4

Assembly List For (006346) 9321/CD630 O/P

Date > 22/06/00

Stock Code	Stock Item	Qty Req
1300 Y	ORO SHORTING LINK	4
1303 Y	100R 5% RESISTOR	4
1305 Y	2K2 5% RESISTOR	1
1306 Y	10K 5% RESISTOR	13
1310 Y	100K 5% RESISTOR	2
1312 Y	4K7 5% RESISTOR	1
1315 Y	47K 5% RESISTOR	1
1316 Y	22K 5% RESISTOR	2
1320 Y	220R 5% RESISTOR	2
1326 Y	3K3 5% RESISTOR	3
1327 Y	1K 5% RESISTOR	8
1329 Y	330R 5% RESISTOR	4
1337 Y	680R 5% RESISTOR	3
1500 Y	10R 2.5W RESISTOR	2
1501 Y	220R 2.5W RESISTOR	1
1701 Y	1K 5W RESISTOR	1
1920 Y	ZERO OHM RESISTOR	10
2004 Y	47UF 50V RADIAL	4
2006 Y	4700UF 63V RADIAL	2
2009 Y	1000UF 25V RADIAL	2
2013 Y	10UF 50V CAPACITOR	3
2014 Y	100UF 35V RADIAL	2
2025 Y	1UF 63V RADIAL	1
2029 Y	220UF 25V CAPACITOR	1
2200 Y	220NF 100V 10MM	8
2400 Y	100NF 250V 10MM	2
2410 Y	100NF 400V 15MM	1
2415 Y	2.2NF 100V 5mm	1
2601 Y	10PF 50V 10% COG	1
2817 Y	100PF 100V CERAMIC	1
3000 Y	1N4007 DIODE	6
3006 Y	1N4148 DIODE	1
3007 Y	3V9 .5W ZENER DIODE	4
3014 Y	15V 1.3W ZENER	4
3017 Y	1.5A 200V BRIDGE	1
3019 Y	7V5 1.3W ZENER DIODE	1
3038 Y	22V .5W ZENER	1
3040 Y	8A 600V INLINE	1
3411 Y	MPSA42/43 TRANSISTOR	2
3412 Y	MPSA92/93 TRANSISTOR	1
3500 Y	BAS16 TRANSISTOR	10
3501 Y	SO642 TRANSISTOR	3
3502 Y	SO692 TRANSISTOR	4
3503 Y	BC847B TRANSISTOR	3
3504 Y	BC857B TRANSISTOR	2
3508 Y	34072 IC (SMD TL072)	1
3611 Y	TIP32C TRANSISTOR	1
3807 Y	SAP15N	2
3808 Y	SAP15P	2
3901 Y	7815 IC	1
3902 Y	7915 IC	1
4000 Y	1K HORIZ PRESET	3
5006 Y	20 TURN COIL	1
5008 Y	TV125 FLAT HEATSINK	3

Assembly List For (006346) 9321/CD630 O/P

Date > 22/06/00

Stock Code	Stock Item	Qty Req
5022 Y	PCB FUSE CARRIER	4
5038 Y	1/4" SPADE TERMINAL	6
5043 Y	8 WAY LOCKING HEADER	1
5067 Y	TO3P SIL PADS	4
5566 Y	20mm T500ma FUSE(UL)	2
5594 Y	20mm T6.3A FUSE	2
5609 Y	30A RELAY	1
5659 Y	SHORT BOARD SPACER	4
5686 Y	NEW SPADE TERMINAL	7
9204 Y	NO 4*1/4 PLASTITE	8
9234 Y	4*1/2" AB POZI	5
9321 Y	CR630 O/P	1
588006 Y	POP RIVET (BLACK)	3
8P-8858 Y	CD650/630 HEATSINK	1

Assembly List For (80008) CK160 PRE PCB ASSY

Date > 22/06/00

Stock Code	Stock Item	Qty Req
1300 Y	ORO SHORTING LINK	38
1303 Y	100R 5% RESISTOR	2
1305 Y	2K2 5% RESISTOR	4
1306 Y	10K 5% RESISTOR	27
1309 Y	1M 5% RESISTOR	5
1310 Y	100K 5% RESISTOR	10
1312 Y	4K7 5% RESISTOR	13
1314 Y	8K2 5% RESISTOR	6
1315 Y	47K 5% RESISTOR	1
1316 Y	22K 5% RESISTOR	13
1317 Y	39K 5% RESISTOR	1
1319 Y	15K 5% RESISTOR	3
1320 Y	220R 5% RESISTOR	1
1326 Y	3K3 5% RESISTOR	4
1327 Y	1K 5% RESISTOR	6
1334 Y	150K 5% RESISTOR	1
1336 Y	470K 5% RESISTOR	1
1700 Y	470R 5W RESISTOR	2
1920 Y	ZERO OHM RESISTOR	1
2004 Y	47UF 50V RADIAL	2
2013 Y	10UF 50V CAPACITOR	9
2020 Y	470UF 16V RADIAL	2
2024 Y	2.2UF 63V RADIAL	12
2025 Y	1UF 63V RADIAL	1
2026 Y	.47UF 63V RADIAL	1
2200 Y	220NF 100V 10MM	1
2415 Y	2.2NF 100V 5mm	10
2417 Y	4.7NF 100V 5mm	2
2419 Y	100NF 63V 5mm	7
2420 Y	22NF 100V 5mm	1
2425 Y	47NF 100V 5mm	5
2602 Y	47PF 50V 10% COG	10
2603 Y	100PF 50V 10% COG	3
2604 Y	270PF 50V 10% COG	2
2605 Y	470PF 50V 10% COG	5
3014 Y	15V 1.3W ZENER	2
3500 Y	BAS16 TRANSISTOR	12
3508 Y	34072 IC (SMD TL072)	12
4105 Y	B100K 37.5mm POT	12
4106 Y	A100K 37.5mm POT	5
4107 Y	A10K 37.5mm POT	5
5036 Y	6 WAY LOCKING HEADER	1
5066 Y	2 WAY LOCKING HEADER	2
5306 Y	DUAL PHONO VERT PC	2
5307 Y	X902-03 XLR	1
5309 Y	6.3MM PHONE JACK	10
9320 Y	CR520 PREAMP	1

Assembly List For (80011) CK300 CABINET

Date > 22/06/00

Stock Code	Stock Item	Qty Req
2410 Y	100NF 400V 15MM	1
10039 Y	PENN CORNER C1839K	8
10055 Y	PLASTIC CABINET FOOT	4
10057 Y	SMALL LANEY BADGE	1
10100 Y	STRAP HANDLE	1
10200 Y	M5 x 10mm TEENUT	6
10202 Y	5mm X 25mm CSK POZI	2
10205 Y	NO.8 X 5/8" ROUND	4
10211 Y	SPEAKER BOLT	4
10224 Y	35mm FINISHED NAILS	35
10231 Y	No8x1/2" FLANGE POZI	2
10232 Y	NO10x1 1/2 FLANGE HD	4
10233 Y	M5*30 FLANGE POZI BK	4
10234 Y	No 8 X 3/4 CSK POZI	22
10240 Y	10 * 1 CSK POZI	4
10243 Y	NO4*1/2 TYPE B CSK	2
10244 Y	FLAT SPIRE CLIP	2
10301 Y	18mm CHIPBOARD	0
10309 Y	ALUMINIUM FOIL	0
10326 Y	BLACK CARPET	2
10512 Y	J44 HORN KSN1005A	1
10600 Y	32/18 STAPLES	12
10622 Y	POLY BAG 48(0) X 48	1
10629 Y	MASKING TAPE 1.5"	3
10843NEW N	CARTON CK300 NEW	1
10897 Y	100mm ETHAFOAM CORNR	8
10982 Y	GLUE/PAINT COST 2.00	1
41511CHECK N	CHECK SPEAKER	1
541004 Y	HC25/50 4.8 FASTON	2
8G-KC150 Y	FRONT GRILL KC150	1
8P-8857 Y	BLACK CR VENT	1

Concept

Laney

**Newlyn Road
Cradley Heath
West Midlands
B64 6BE
U.K.**

<http://www.laney.co.uk>