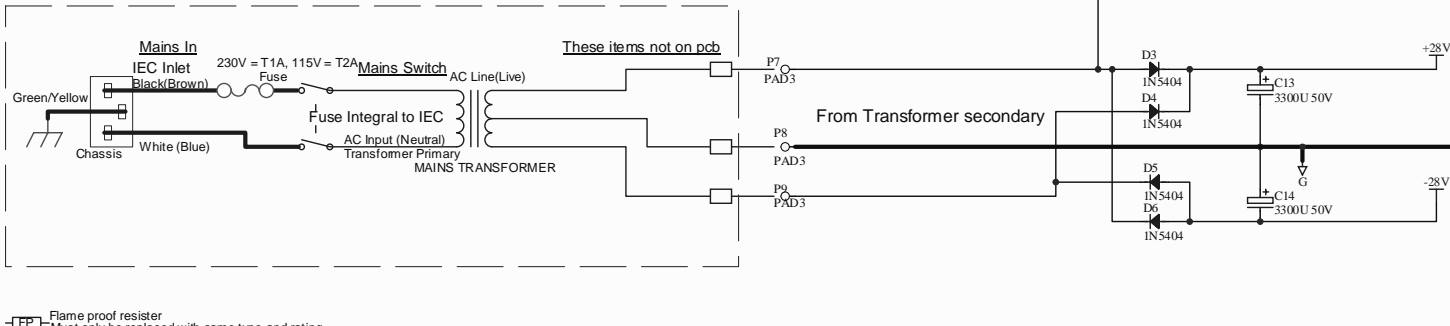
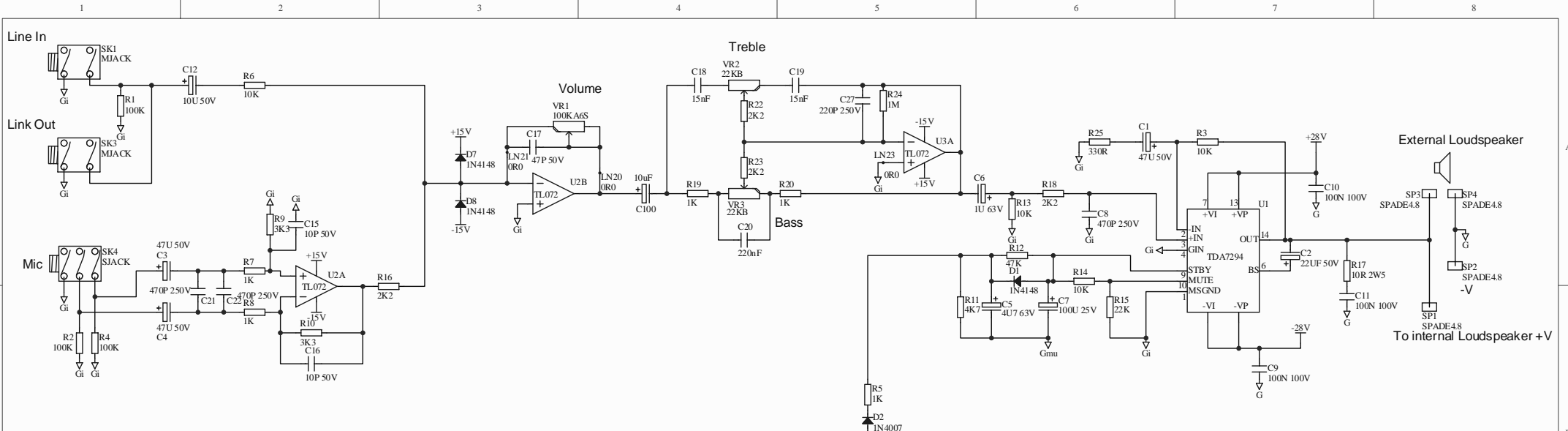


CP10

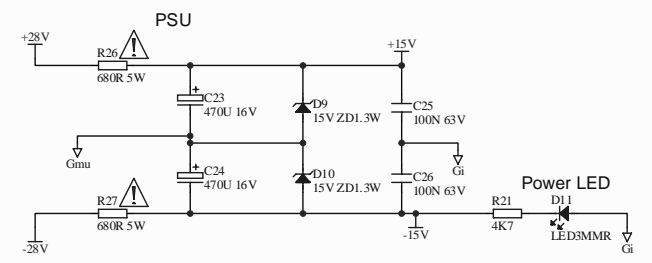
Service Information

Laney
Classic British Amplification

Newlyn Road, Cradley Heath, West Midlands. B64 6BE
www.laney.co.uk



Flame proof resistor
 Must only be replaced with same type and rating
 Indicates safety critical component
 Must only be replaced with approved type



Revision History	
C100 from 1uF to 10uF	
C18, C19 from 2n2 to 15n	
C20 from 47n to 220n	
R19, R20 from 4k7 to 1k	
R22 from 8k2 to 2k2	
R23 from 22k to 2k2	
VR2, VR3 from 100k to 22k	

Issue 2
See CN0334

BLT Industries		Title CP10 PCB	
Size A3	Number 9360	Revision 2	
Date: 20/01/2004	9360_2.sch	Sheet 1 of	1
File: D:\9360_2\SHENJIE\9360_2.sch		Drawn By:	Rich Thompson