

Laney

Concept

CP10 Powered Monitor
Service Information

**A new Concept
for a new millennium**

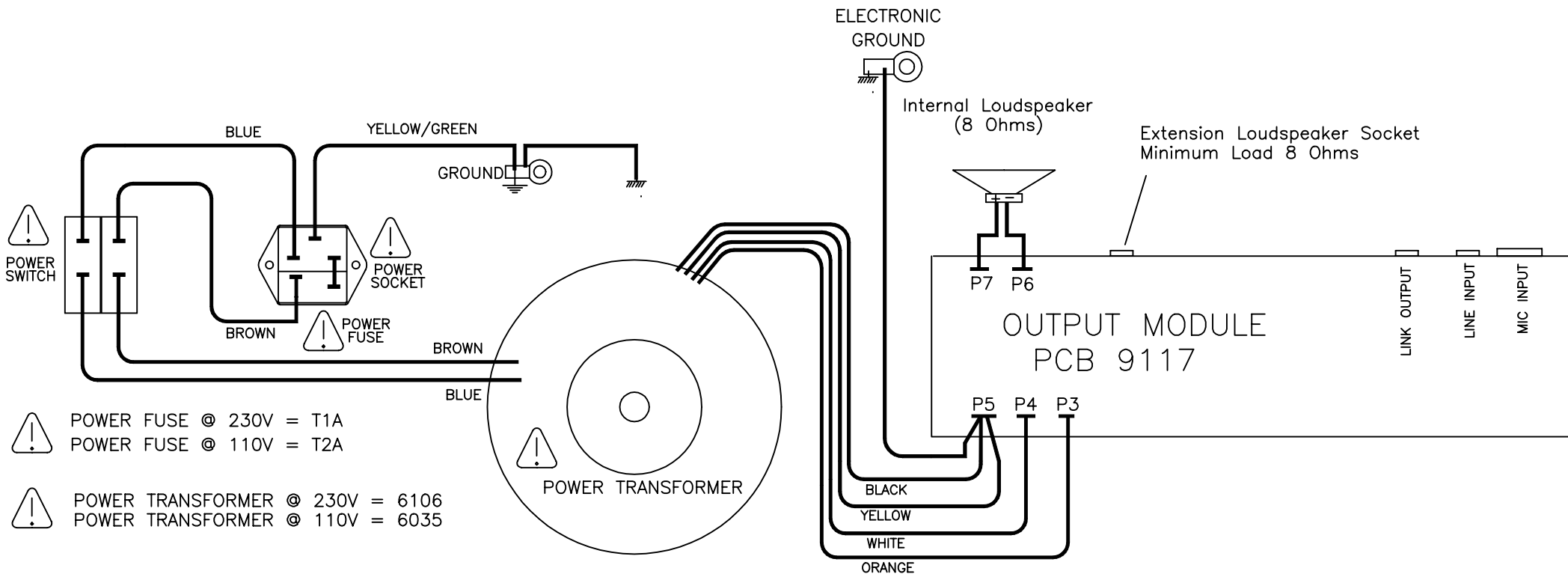
Part Number - SM3028

Laney

Concept

Contents

1. **Dwg 2611 Service Diagram**
2. **Dwg 2615 Transformer Wiring**
2. **Dwg 9117_3 Circuit Diagram**
3. **Pcb Assembly List**
4. **Final Assembly List**
5. **Cabinet Assembly List**
6. **Contacts**



- ⚠ POWER FUSE @ 230V = T1A
- ⚠ POWER FUSE @ 110V = T2A
- ⚠ POWER TRANSFORMER @ 230V = 6106
- ⚠ POWER TRANSFORMER @ 110V = 6035

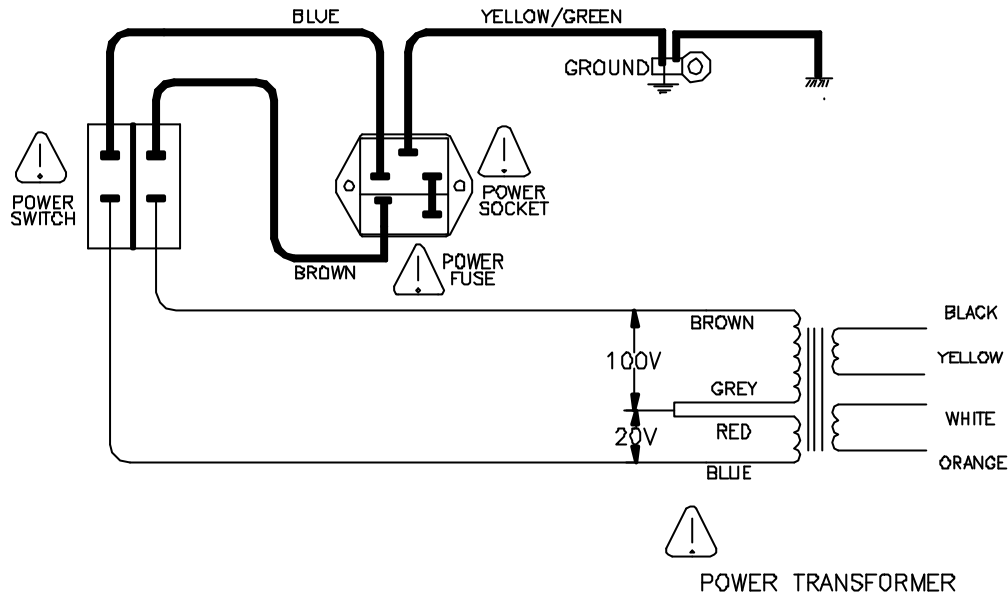
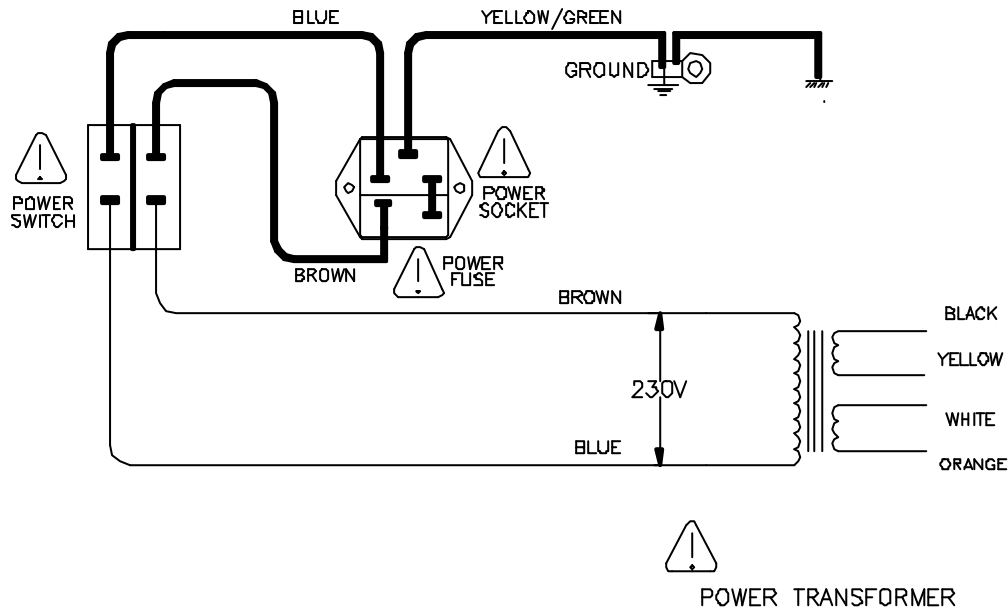
⚠ =ONLY REPLACE WITH SAME TYPE AND RATING

ISSUE	DESCRIPTION	APPD.	DATE

BLT
Industries Ltd.

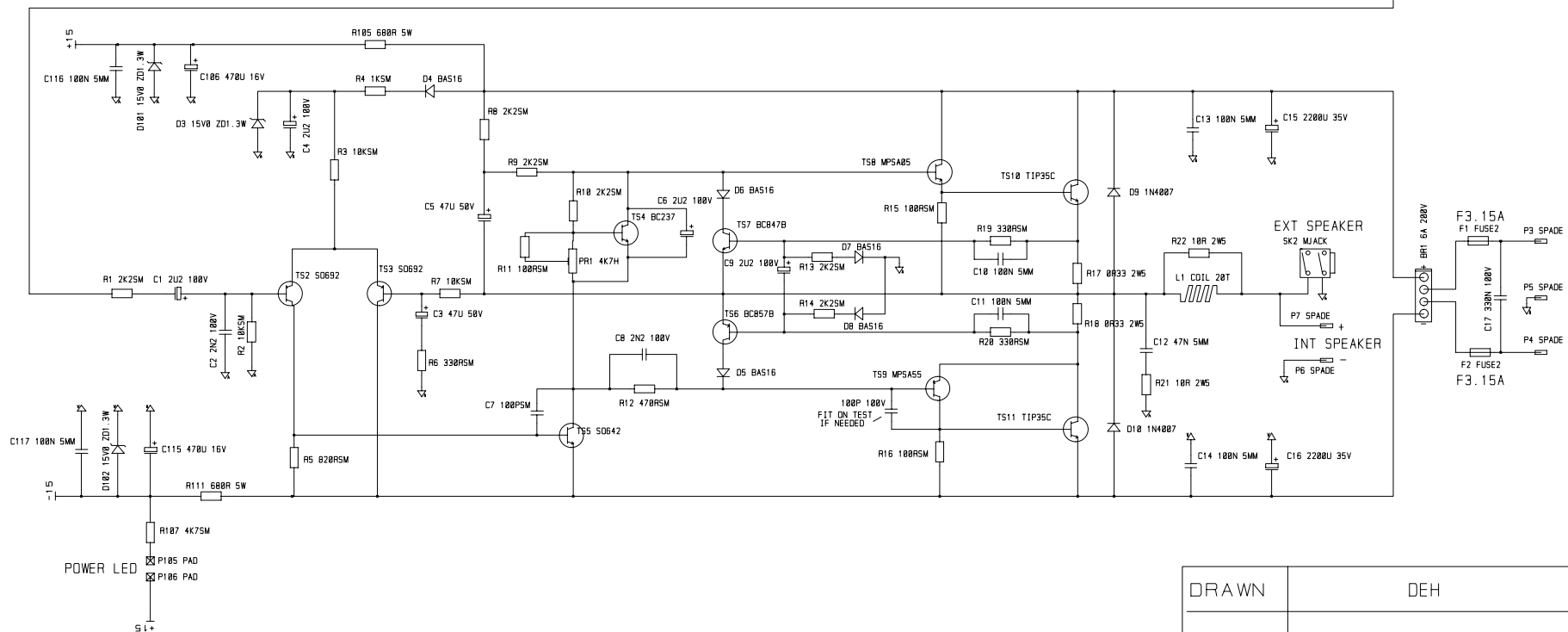
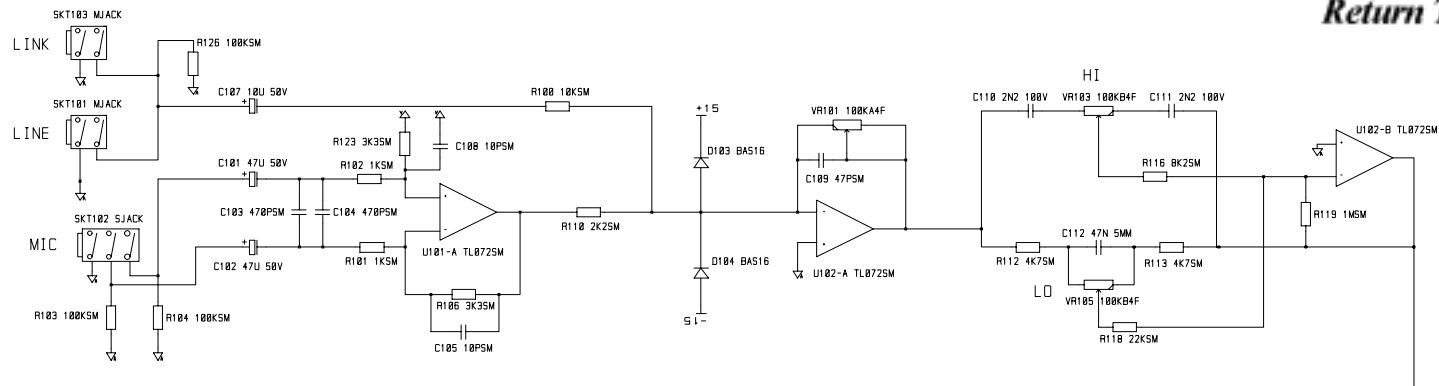
TITLE
CP10 SERVICE DIAGRAM
PWA10 SERVICE DIAGRAM
PART No

DRAWN	TRACED	CHECKED	APPROVED	DATE
R.J.F				21/03/97
DRAWING No.		2611		



⚠ =ONLY REPLACE WITH SAME TYPE AND RATING

ISSUE	DESCRIPTION	APPD.	DATE	TITLE	DRAWN	TRACED	CHECKED	APPROVED	DATE
				BLT Industries Ltd.	MAINS WIRING FOR TRANSFORMER PART No	R.J.F			28/03/97
						DRAWING No.	2615		



DRAWN	DEH
DATE	21/01/97
TITLE	65W Output Board with Mic + Line Inputs
DRW. NO.	9117_3

ISSUE	USED IN	3 04/02/97	3 26/10/98	4 18/11/98
TYPE	CP10 PWA10	LAYOUT CHANGES	100PF ADDED ACROSS TS9 FIT ON TEST IF NEEDED	R1 FROM 1K5M > 2K25M C109 FROM 10P5M > 47P5M REFER TO CHANGE NOTE 196

Assembly List for 008439 CP10 PCB

Stock Code	Description	Qty Req
1300 Y	ORO SHORTING LINK	6
1303 Y	100R 5% RESISTOR	3
1304 Y	820R 5% RESISTOR	1
1305 Y	2K2 5% RESISTOR	3
1306 Y	10K 5% RESISTOR	4
1309 Y	1M 5% RESISTOR	1
1310 Y	100K 5% RESISTOR	3
1311 Y	470R 5% RESISTOR	1
1312 Y	4K7 5% RESISTOR	3
1314 Y	8K2 5% RESISTOR	1
1316 Y	22K 5% RESISTOR	1
1326 Y	3K3 5% RESISTOR	3
1327 Y	1K 5% RESISTOR	5
1329 Y	330R 5% RESISTOR	3
1500 Y	10R 2.5W RESISTOR	2
1701 Y	1K 5W RESISTOR	2
1717 Y	0R33 2.5W RESISTOR	2
1920 Y	ZERO OHM RESISTOR	3
2004 Y	47UF 50V RADIAL	5
2013 Y	10UF 50V CAPACITOR	1
2017 Y	2200UF 35V RADIAL	2
2020 Y	470UF 16V RADIAL	2
2024 Y	2.2UF 63V RADIAL	3
2200 Y	220NF 100V 10MM	1
2415 Y	2.2NF 100V 5mm	4
2419 Y	100NF 63V 5mm	6
2425 Y	47NF 100V 5mm	2
2601 Y	10PF 50V 10% COG	1
2602 Y	47PF 50V 10% COG	1
2603 Y	100PF 50V 10% COG	1
2605 Y	470PF 50V 10% COG	2
2817 Y	100PF 100V CERAMIC	1
3000 Y	1N4007 DIODE	2
3014 Y	15V 1.3W ZENER	3
3016 Y	6A 200V BRIDGE	1
3033 Y	3mm LED RED	1
3405 Y	BC237 TRANSISTOR	1
3414 Y	MPSA05 TRANSISTOR	1
3415 Y	MPSA55 TRANSISTOR	1
3500 Y	BAS16 TRANSISTOR	7
3501 Y	SO642 TRANSISTOR	1
3502 Y	SO692 TRANSISTOR	2
3503 Y	BC847B TRANSISTOR	1
3504 Y	BC857B TRANSISTOR	1
3508 Y	34072 IC (SMD TL072	2
4018 Y	4K7 HORIZ PRESET	1
4083 Y	4mm 100K LIN POT	2
4095 Y	4mm 100K LOG POT	1
5002 Y	MONO JACK SOCKET	3
5003 Y	STEREO JACK SOCKET	1
5006 Y	20 TURN COIL	1
5022 Y	PCB FUSE CARRIER	2
5038 Y	1/4" SPADE TERMINAL	5
9117 Y	CP10 OUTPUT	1

Assembly List for 007410 - CP10

Stock Code	Description	Qty Req
3618	TIP35C TRANSISTOR	2
5005	NEW TYPE MAINS SOCK	1
5011	TO3P WASHER	2
5511	5MM SOLDER TAG	2
5527	20mm F3.15A FUSE	2
5530	20mm T1A FUSE	1
5558	100mm TIE WRAP	3
5646	KNOB 4MM GREY/RED	1
5647	KNOB 4MM GREY/BLUE	2
8439	CP10 OUTPUT	1
8757	CPC10 MAINS SWITCH	1
9150	3mm HEX NUT	2
9151	3mm INT SHAKEPROOF	2
9160	4mm HEX NUT	1
9161	4mm INT. SHAKEPROOF	2
9162	4*12mm PAN POZI	1
9171	M5 INT SHAKEPROOF	2
9173	5*12mm PAN POZI	1
9175	M6 HEX NUT	1
9181	5mm BRASS HEX NUT	1
9191	M5 W TYPE CAGE NUT	3
9214	6*50mm CUP SQUARE	1
9228	3*12 ZINC PAN POZI	2
9229	8*3/8 FH POZI	2
540038	EARTH WARNING LABEL	1
584063	6mm SPLIT WASHER	1
588006	POP RIVET (BLACK)	4
588042	INSULATING BUSH	2
8P-8645	CP10 FACIA	1
8P-8646	CP10 SINK BRACKET	1
8P-9227	6MM PLAIN WASHER	1
8T-6106	CP10 65W 230V MAINS	1

Assembly List for 20404 - CP10 Cabinet

Stock Code	Description	Qty Req
10050	SMALL CORNER	4
10051	LARGE CORNER	2
10055	PLASTIC CABINET FOO	4
10057	SMALL LANEY BADGE	1
10100	STRAP HANDLE	1
10155	CONCEPT EXTRUSION	1
10200	M5 x 10mm TEENUT	6
10202	5mm X 25mm CSK POZI	2
10204	5mm X 25mm PAN POZI	4
10205	NO.8 X 5/8" ROUND	4
10206	6*5/8 FLANGE POZI A	4
10224	35mm FINISHED NAILS	35
10225	STAPLES 97/12	6
10233	M5*30 FLANGE POZI B	3
10234	No 8 X 3/4 CSK POZI	14
10237	NO8 X 1 1/4 PAN PO	2
10240	10 * 1 CSK POZI	4
10242	No 8*16mm SPIRE CLI	2
10243	NO4*1/2 TYPE B CSK	2
10244	FLAT SPIRE CLIP	2
10301	18mm CHIPBOARD	0
10316	GRANITE VYNHYDE	0
10512	J44 HORN KSN1005A	1
10600	32/18 STAPLES	12
10621	POLY. BAG 30(0) X 3	1
10629	MASKING TAPE 1.5"	2
10884	CARTON CC10	1
10980	GLUE/PAINT COST .75	1
41007	INVADER 10P708	1
8G-CP10	FRONT GRILL CP10	1

Concept

Laney

**Newlyn Road
Cradley Heath
West Midlands
B64 6BE
U.K.**

<http://www.laney.co.uk>

Return To Contents