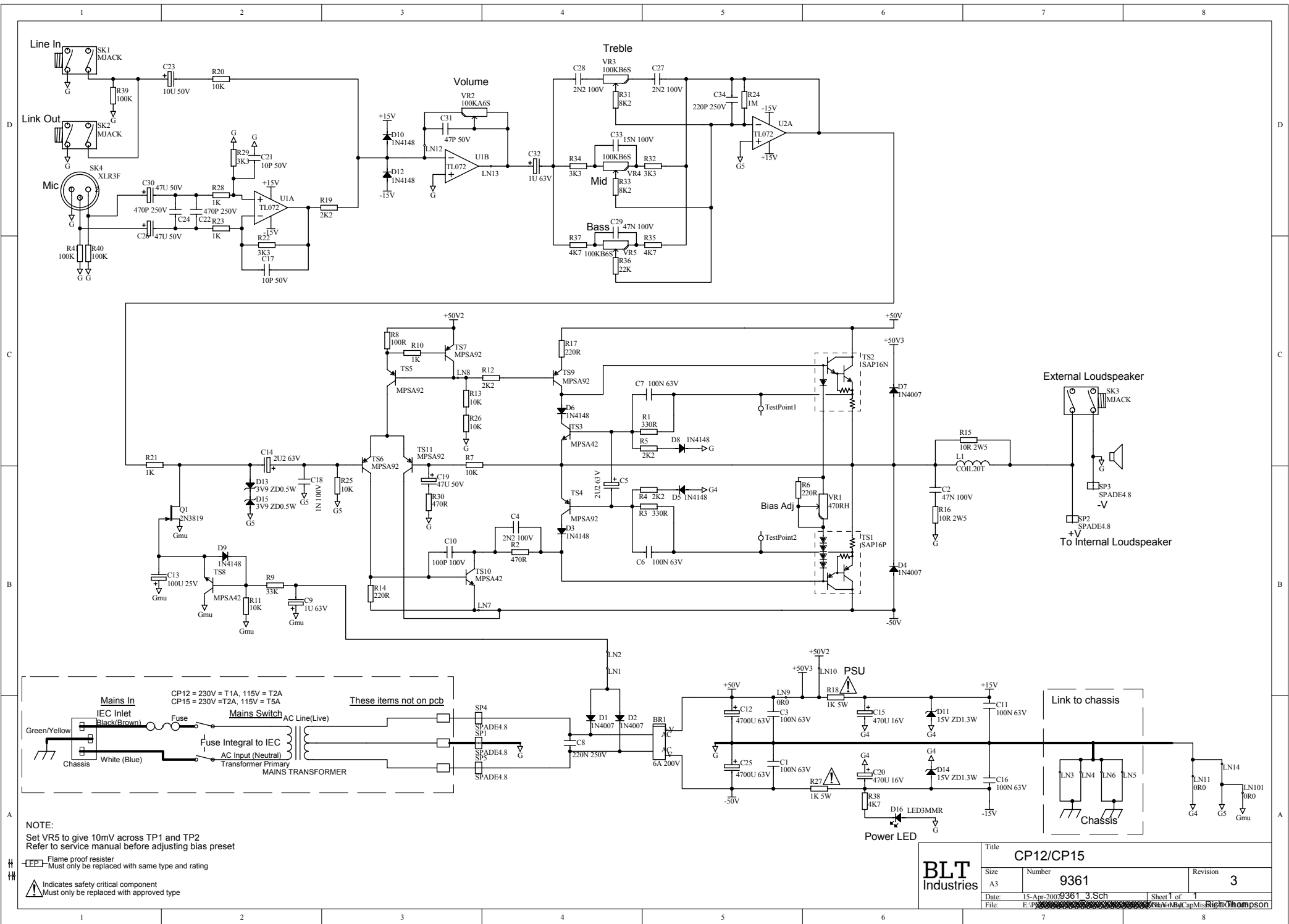


CP12-15

Service Information

Laney
Classic British Amplification

Newlyn Road, Cradley Heath, West Midlands. B64 6BE
www.laney.co.uk



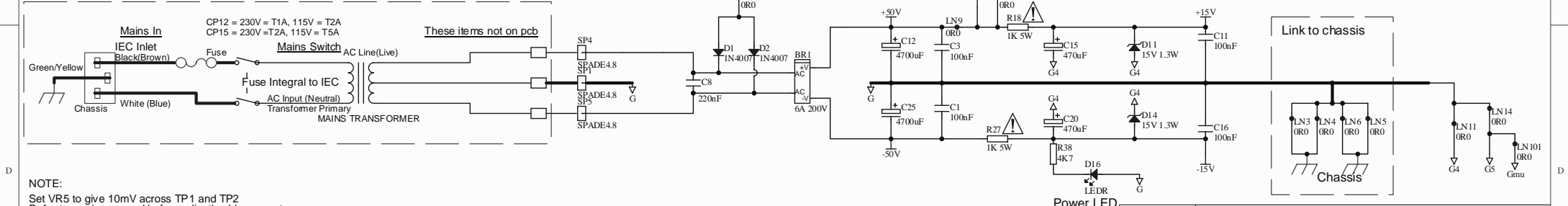
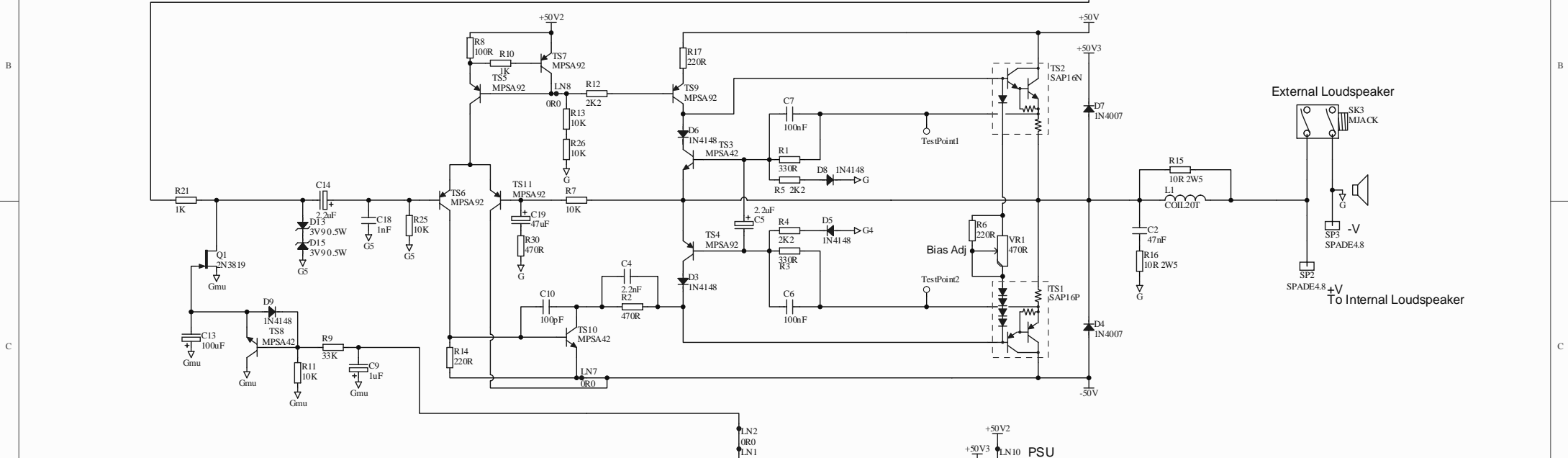
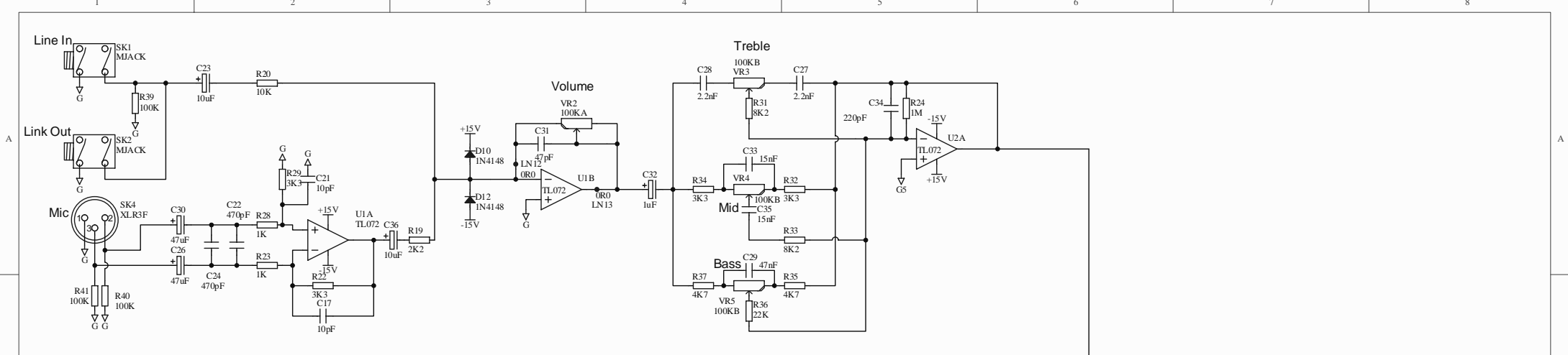
NOTE:
 Set VR5 to give 10mV across TP1 and TP2
 Refer to service manual before adjusting bias preset

⚡ Flame proof resistor
 Must only be replaced with same type and rating

⚠ Indicates safety critical component
 Must only be replaced with approved type

Title		CP12/CP15	
Size	Number	Revision	
A3	9361		3
Date	15-Apr-2009	3 Sch	Sheet 1 of 1
File	E:\P3\9361\9361_3_Sch\CP12\CP15_CapMis.Ric.McThompson		

BLT Industries



NOTE:
 Set VR5 to give 10mV across TP1 and TP2.
 Refer to service manual before adjusting bias preset

Flame proof resistor
 Must only be replaced with same type and rating

Indicates safety critical component
 Must only be replaced with approved type

- 50MMFINNEDHS
- 50MMFINNEDHS

BLT Industries		Title CP12/CP15	
		Size A3	Number 9361
Date 21/04/2004 9361_4.Sch		Revision 4	Sheet 1 of 1
File D:\Work-in-Progress\9361_4.Sch		Drawn By: Rich Thompson	