

Laney

Concept

CP15 Powered Monitor
Service Information

**A new Concept
for a new millennium**

Part Number - SM3030

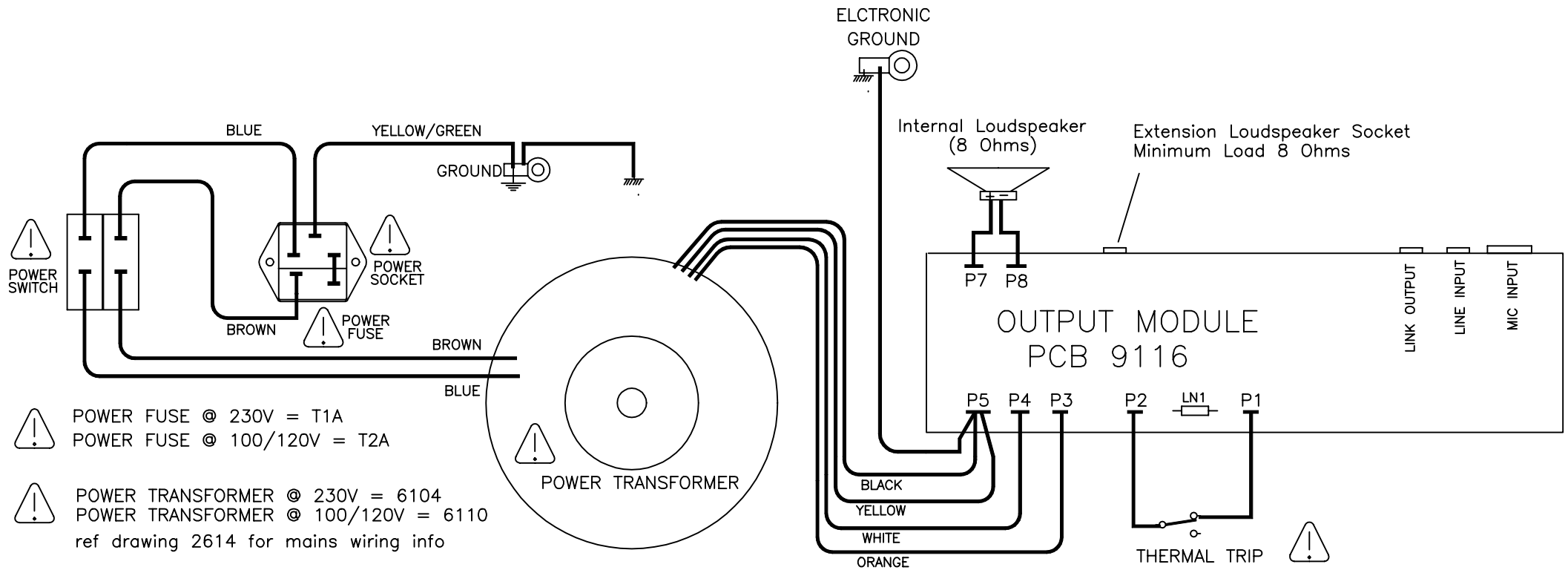
Laney

Concept

Contents

1. **Dwg 2609 Service Diagram**
2. **Dwg 2615 Transformer Wiring**
2. **Dwg 9116_3 Circuit Diagram**
3. **Pcb Assembly List**
4. **Final Assembly List**
5. **Cabinet Assembly List**
6. **Contacts**

Return To Contents



- ! POWER FUSE @ 230V = T1A
 - ! POWER FUSE @ 100/120V = T2A
 - ! POWER TRANSFORMER @ 230V = 6104
 - ! POWER TRANSFORMER @ 100/120V = 6110
- ref drawing 2614 for mains wiring info

! THERMAL TRIP

Opening Temperature - 100°C ±3°C

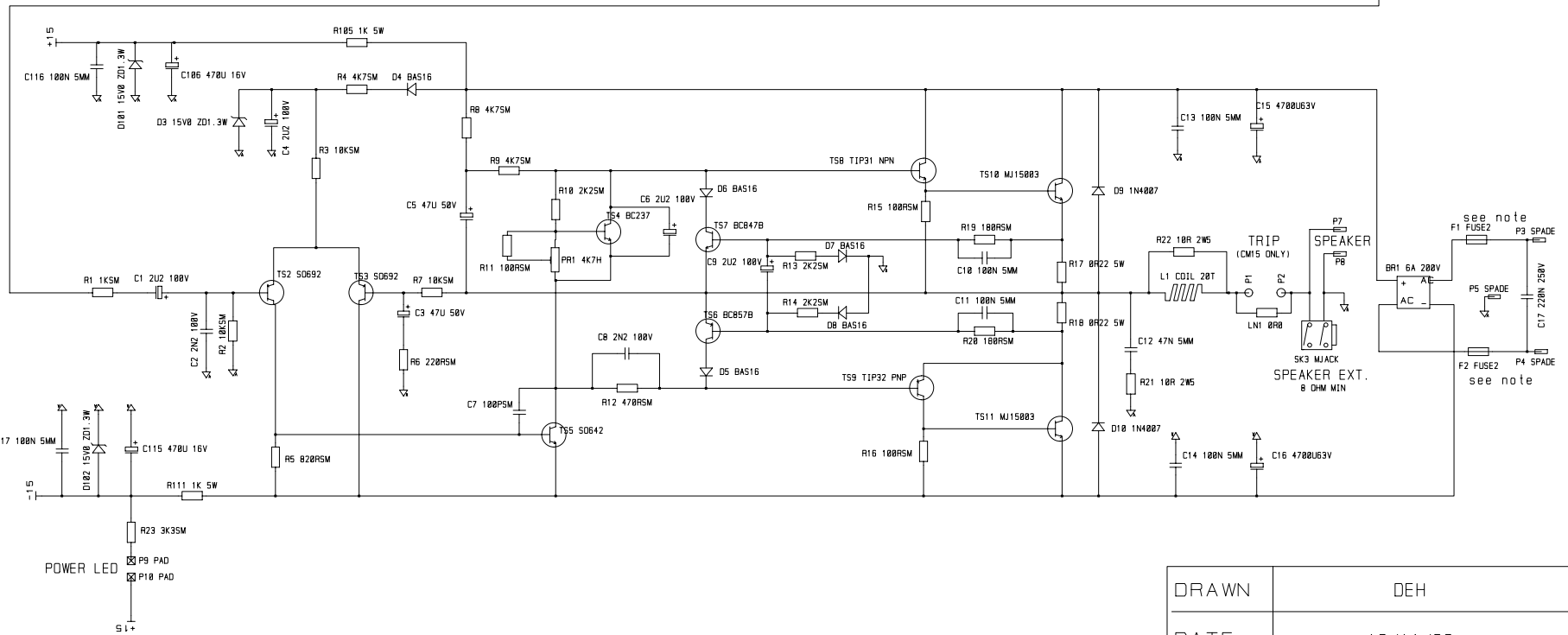
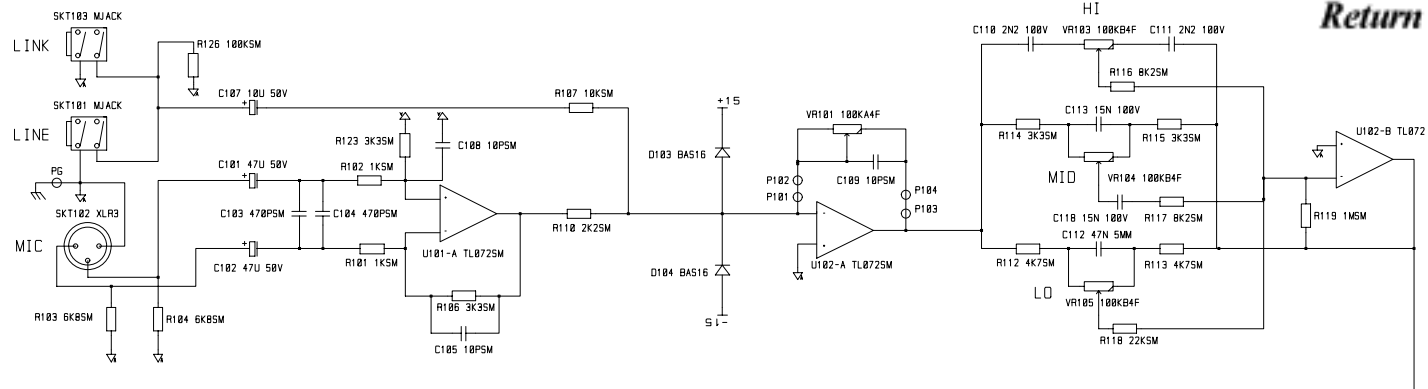
Closing Temperature - 85°C ±3°C

Replace with same type and rating

Note : On CPC15's Fit THERMAL TRIP Omit LN1

! =ONLY REPLACE WITH SAME TYPE AND RATING

ISSUE	DESCRIPTION	APPD.	DATE	TITLE	DRAWN	TRACED	CHECKED	APPROVED	DATE
				LANEY	R.J.F				21/03/97
				PART No	DRAWING No.		2609		



DRAWN	DEH
DATE	12/11/96
TITLE	CP12/15 OUTPUT
DRW. NO.	9116_3

ISSUE	3	CHANGE NOTE 102 14/04/97			
TYPE	R118 8K2 TO 22K	R8/R9 2K2 TO 4K7			

Assembly 008439/A - CP15 Pcb

Stock Code	Description	Quantity
1005	2K2 .25W RESISTOR	1
1300	ORO SHORTING LINK	6
1303	100R 5% RESISTOR	3
1304	820R 5% RESISTOR	1
1305	2K2 5% RESISTOR	4
1306	10K 5% RESISTOR	4
1309	1M 5% RESISTOR	1
1310	100K 5% RESISTOR	1
1311	470R 5% RESISTOR	1
1312	4K7 5% RESISTOR	3
1314	8K2 5% RESISTOR	3
1318	6K8 5% RESISTOR	2
1320	220R 5% RESISTOR	1
1322	180R 5% RESISTOR	2
1326	3K3 5% RESISTOR	5
1327	1K 5% RESISTOR	3
1500	10R 2.5W RESISTOR	2
1701	1K 5W RESISTOR	2
1703	0R22 5W RESISTOR	2
1920	ZERO OHM RESISTOR	4
2004	47UF 50V RADIAL	4
2006	4700UF 63V RADIAL	2
2013	10UF 50V CAPACITOR	1
2020	470UF 16V RADIAL	2
2024	2.2UF 63V RADIAL	4
2200	220NF 100V 10MM	1
2407	15NF 400V 10MM	2
2415	2.2NF 100V 5mm	4
2419	100NF 63V 5mm	6
2425	47NF 100V 5mm	2
2426	15NF 100V 5mm	2
2601	10PF 50V 10% COG	3
2603	100PF 50V 10% COG	1
2605	470PF 50V 10% COG	2
3000	1N4007 DIODE	2
3014	15V 1.3W ZENER	3
3016	6A 200V BRIDGE	1
3405	BC237 TRANSISTOR	1
3500	BAS16 TRANSISTOR	7
3501	SO642 TRANSISTOR	1
3502	SO692 TRANSISTOR	2
3503	BC847B TRANSISTOR	1
3504	BC857B TRANSISTOR	1
3508	34072 IC (SMD TL07	2
3610	TIP31C TRANSISTOR	1
3611	TIP32C TRANSISTOR	1
4018	4K7 HORIZ PRESET	1
4083	4mm 100K LIN POT	3
4095	4mm 100K LOG POT	1
5002	MONO JACK SOCKET	3
5006	20 TURN COIL	1
5008	TV125 FLAT HEATSIN	2
5022	PCB FUSE CARRIER	2
5038	1/4" SPADE TERMINAL	4
5054	XLR SOCKET FEMALE	1
5101	20mm F4A FUSE	2
9116	CP12/15 OUTPUT	1
588006	POP RIVET (BLACK)	2

Assembly 007412 - CP15 Final Assembly

Stock code	Description	quantity
3800	MJ15003 TRANSISTOR	2
5005	NEW TYPE MAINS SOC	1
5007	TO3 HARDWARE WASHER	2
005007A	TO3 LONG BUSH	4
5030	HEATSINK TV5	1
5031	70oC THERMAL TRIP	1
5510	3MM SOLDER TAG	2
5511	5MM SOLDER TAG	2
5526	20mm T2A FUSE	1
5542	ROCKER SWITCH	1
5558	100mm TIE WRAP	3
5646	KNOB 4MM GREY/RED	1
5647	KNOB 4MM GREY/BLUE	3
008438/A	CP15 O/P	1
8859	BC RED LED	1
9150	3mm HEX NUT	4
9151	3mm INT SHAKEPROOF	6
9160	4mm HEX NUT	3
9161	4mm INT. SHAKEPROO	4
9162	4*12mm PAN POZI	5
9163	4*20mm PAN POZI	2
9167	4*8 PAN POZI TAPTE	3
9171	M5 INT SHAKEPROOF	2
9173	5*12mm PAN POZI	1
9181	5mm BRASS HEX NUT	1
9191	M5 W TYPE CAGE NUT	2
9204	NO 4*1/4 PLASTITE	2
9217	4mm NUTSERT	4
9228	3*12 ZINC PAN POZI	4
540038	EARTH WARNING LABE	1
541054	INSULATION BOOT	1
581002	3*6mm CSK POZI TPT	2
586003	M8 * 60 COACH BOLT	1
588006	POP RIVET (BLACK)	2
5P-587003	30mm WASHER	1
8P-8641	CP15 FACIA	1
8P-8647	CP15 T/X BRACKET	1
8P-8800	HTSNK BRACKET	1
8P-8801	110mm LONG THINNED	1
8T-6104	CR150 230V 150W	1

Assembly 20406 - CP15 Cabinet

Stock Code	Description	Quantity
10050	SMALL CORNER	4
10051	LARGE CORNER	2
10055	PLASTIC CABINET FO	4
10056	LARGE LANEY BADGE	1
10100	STRAP HANDLE	1
10155	CONCEPT EXTRUSION	1
10200	M5 x 10mm TEENUT	6
10202	5mm X 25mm CSK POZ	2
10204	5mm X 25mm PAN POZ	4
10205	NO.8 X 5/8" ROUND	6
10206	6*5/8 FLANGE POZI	4
10224	35mm FINISHED NAIL	35
10225	STAPLES 97/12	3
10233	M5*30 FLANGE POZI	2
10234	No 8 X 3/4 CSK POZ	14
10237	NO8 X 1 1/4 PAN PO	2
10240	10 * 1 CSK POZI	4
10242	No 8*16mm SPIRE CL	2
10243	NO4*1/2 TYPE B CSK	2
10244	FLAT SPIRE CLIP	2
10301	18mm CHIPBOARD	0
10314	18mm MDF	0
10316	GRANITE VYNHYDE	1
10513	J73 HORN KSN1141B	1
10600	32/18 STAPLES	12
10621	POLY. BAG 30(0) X	1
10629	MASKING TAPE 1.5"	3
10889	CARTON CM15	1
10981	GLUE/PAINT COST 1.	1
41510	INVADER 15100PA8A	1
8G-CP15	FRONT GRILL CP15	1

Concept

Laney

**Newlyn Road
Cradley Heath
West Midlands
B64 6BE
U.K.**

<http://www.laney.co.uk>

Return To Contents